



US00D569987S

(12) **United States Design Patent**
Oberreiter et al.

(10) **Patent No.:** **US D569,987 S**

(45) **Date of Patent:** **** May 27, 2008**

(54) **LIGHT-EMITTING THERAPEUTIC DEVICE**

(75) Inventors: **Richard Oberreiter**, Newport Beach, CA (US); **James Harry Kraushaar**, Newport Beach, CA (US); **Jim Brech**, Laguna Hills, CA (US)

(73) Assignee: **CLRS Technology Corporation**, Costa Mesa, CA (US)

(**) Term: **14 Years**

(21) Appl. No.: **29/281,311**

(22) Filed: **Jun. 20, 2007**

(51) **LOC (8) Cl.** **28-03**

(52) **U.S. Cl.** **D24/210**

(58) **Field of Classification Search** D24/209–210,
D24/200, 133, 158; 362/800; 606/1, 7,
606/13; 607/1, 2, 7, 88, 90–95
See application file for complete search history.

(56) **References Cited**

U.S. PATENT DOCUMENTS

D400,258 S	*	10/1998	Bolleter	D24/210
D432,659 S	*	10/2000	Bolleter	D24/210
D519,214 S	*	4/2006	Lansohn	D24/210
D540,947 S	*	4/2007	Jung et al.	D24/167

* cited by examiner

Primary Examiner—Ian Simmons
Assistant Examiner—Melanie Levy

(74) *Attorney, Agent, or Firm*—Knobbe, Martens, Olson & Bear, LLP

(57) **CLAIM**

The ornamental design for a light-emitting therapeutic device, as shown and described.

DESCRIPTION

FIG. 1 is a rear view of a light-emitting therapeutic device; FIG. 2 is a front view of the light-emitting therapeutic device of FIG. 1;

FIG. 3 is a right side view of the light-emitting therapeutic device of FIG. 1, the left side view being a mirror image of the right side view;

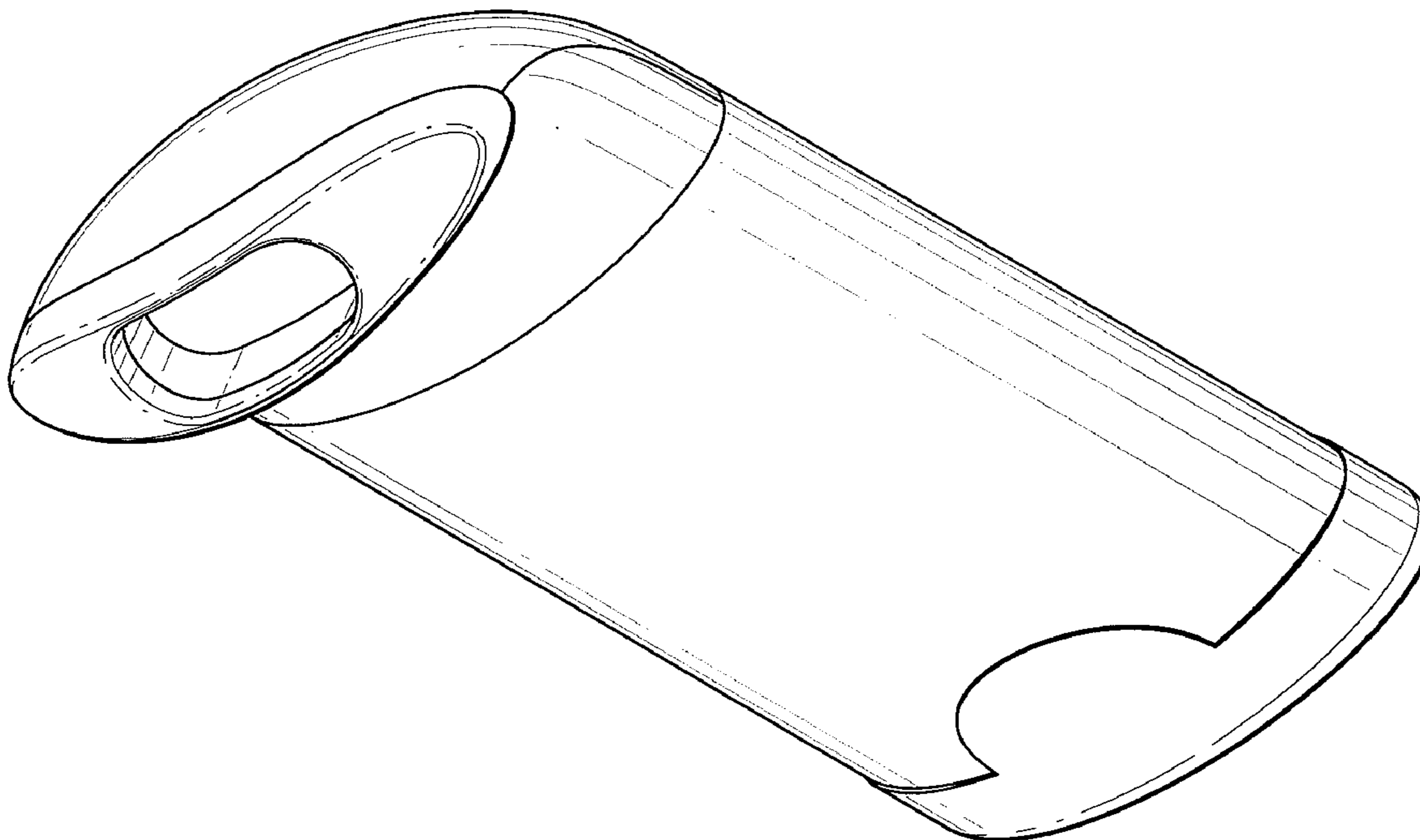
FIG. 4 is a top view of the light-emitting therapeutic device of FIG. 1;

FIG. 5 is a bottom view of the light-emitting therapeutic device of FIG. 1;

FIG. 6 is a rear perspective view of the light-emitting therapeutic device of FIG. 1; and,

FIG. 7 is a front perspective view of the light-emitting therapeutic device of FIG. 1.

1 Claim, 4 Drawing Sheets



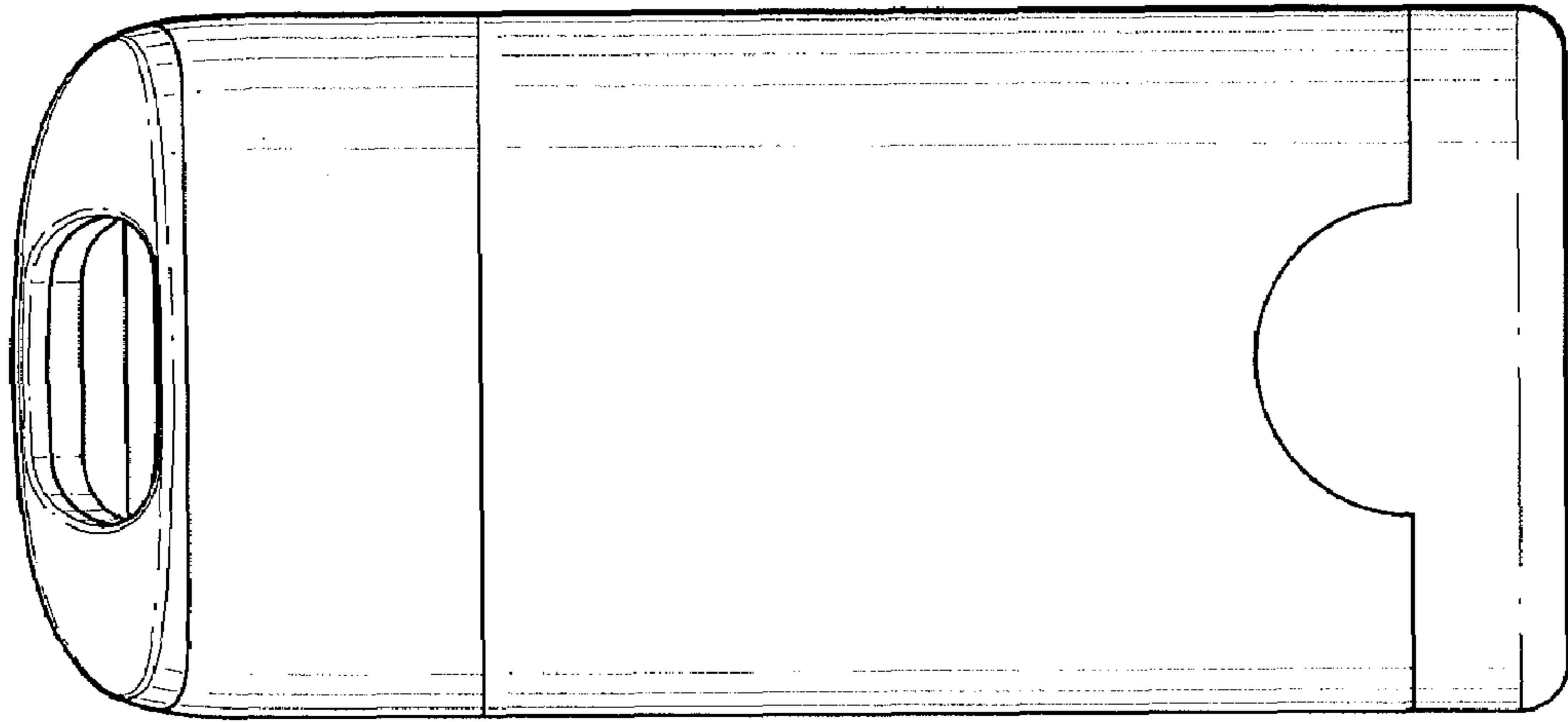


FIG. 2

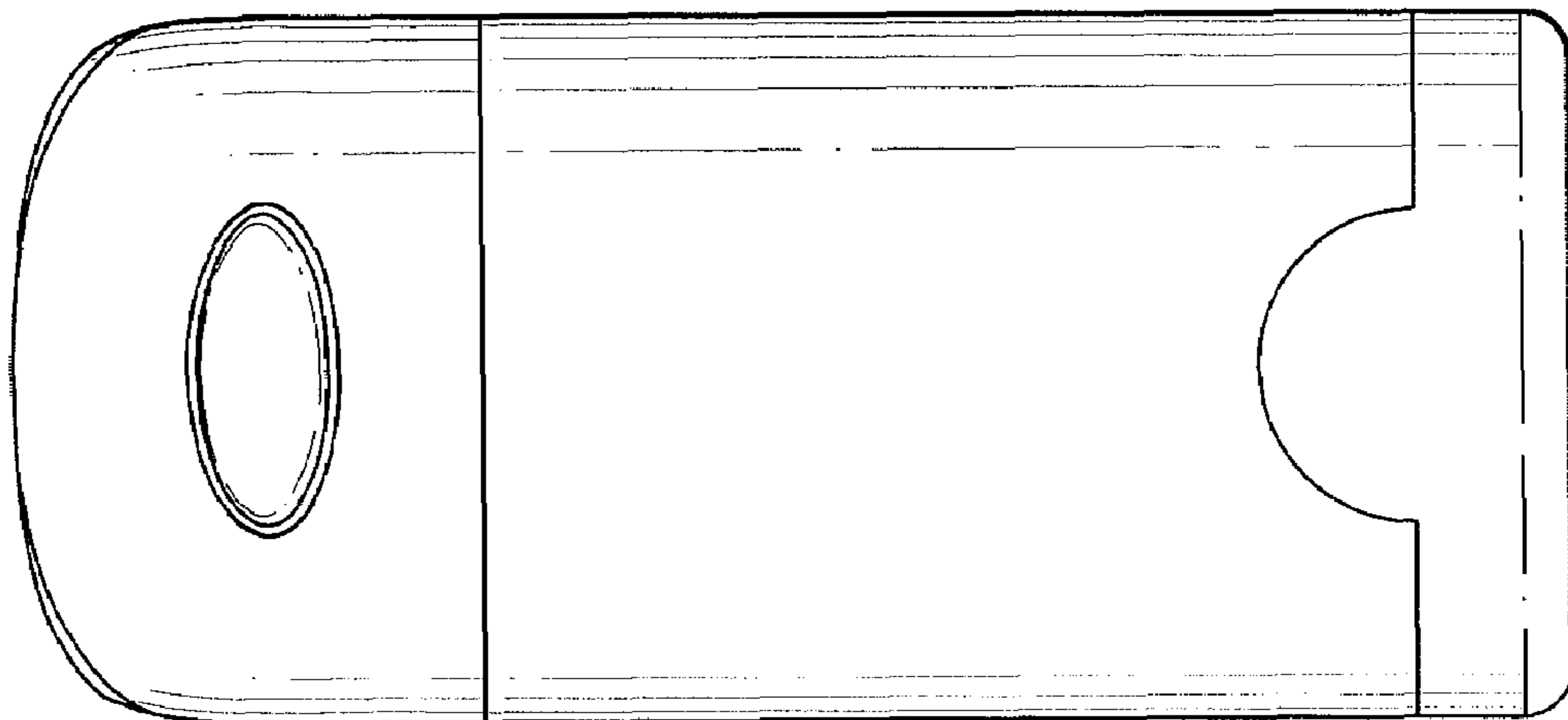


FIG. 1

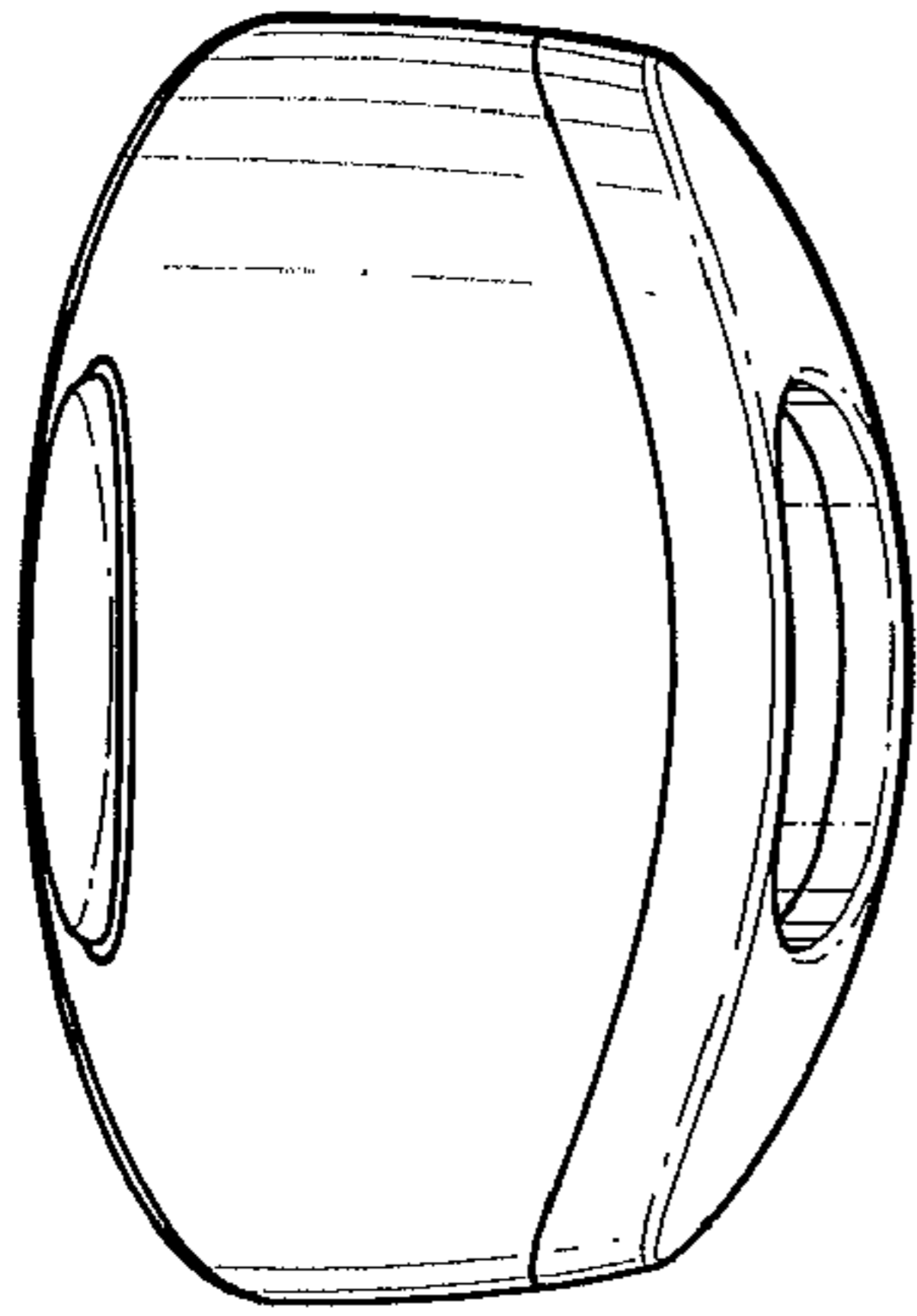


FIG. 4

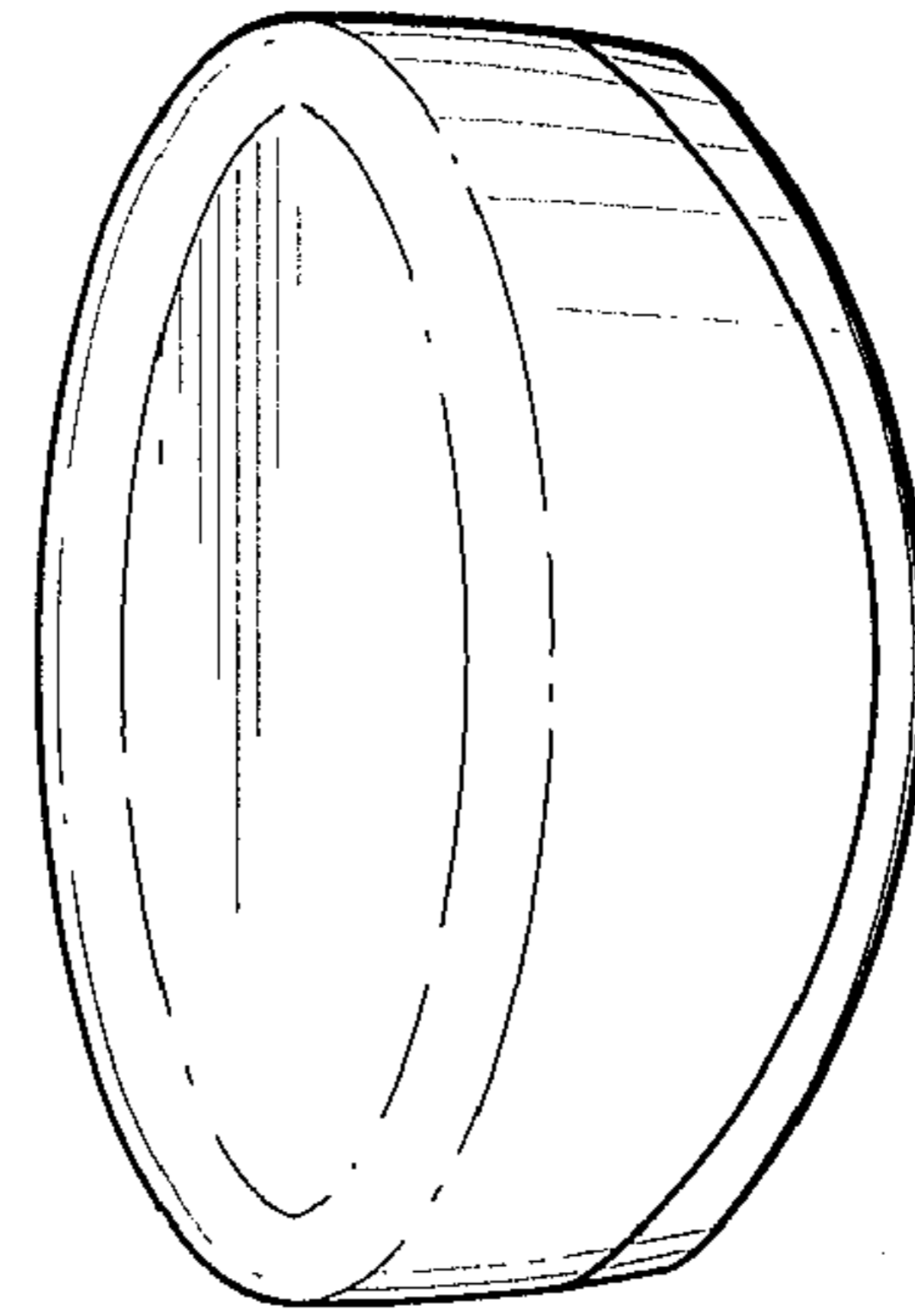


FIG. 5

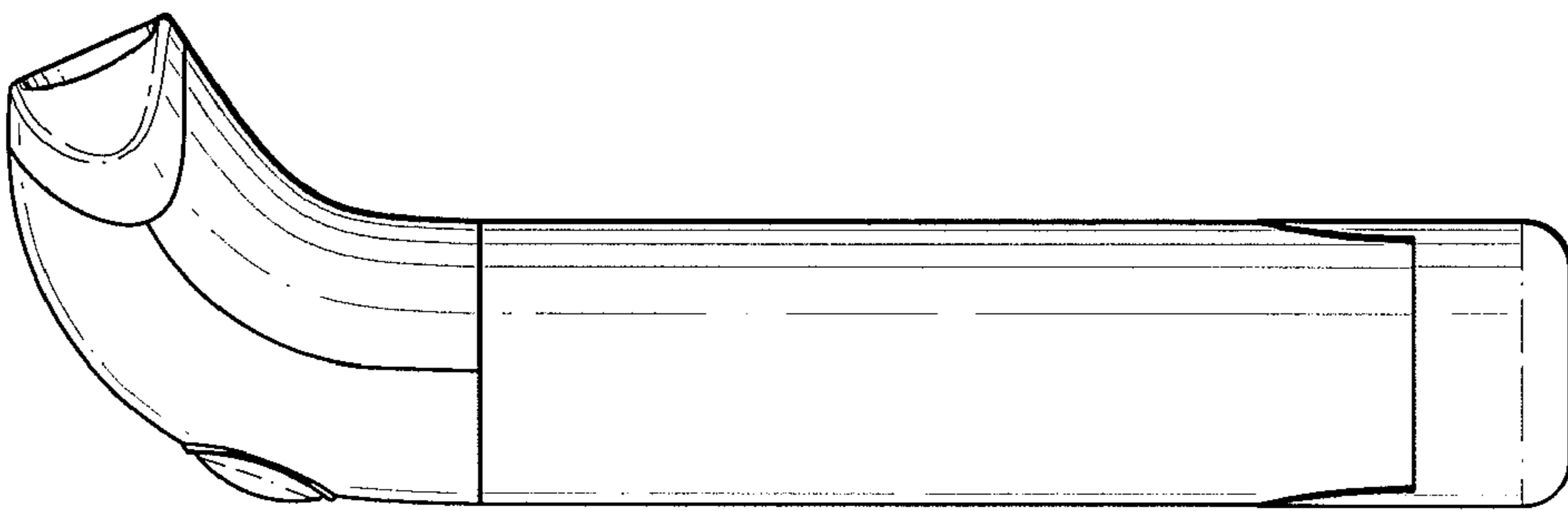


FIG. 3

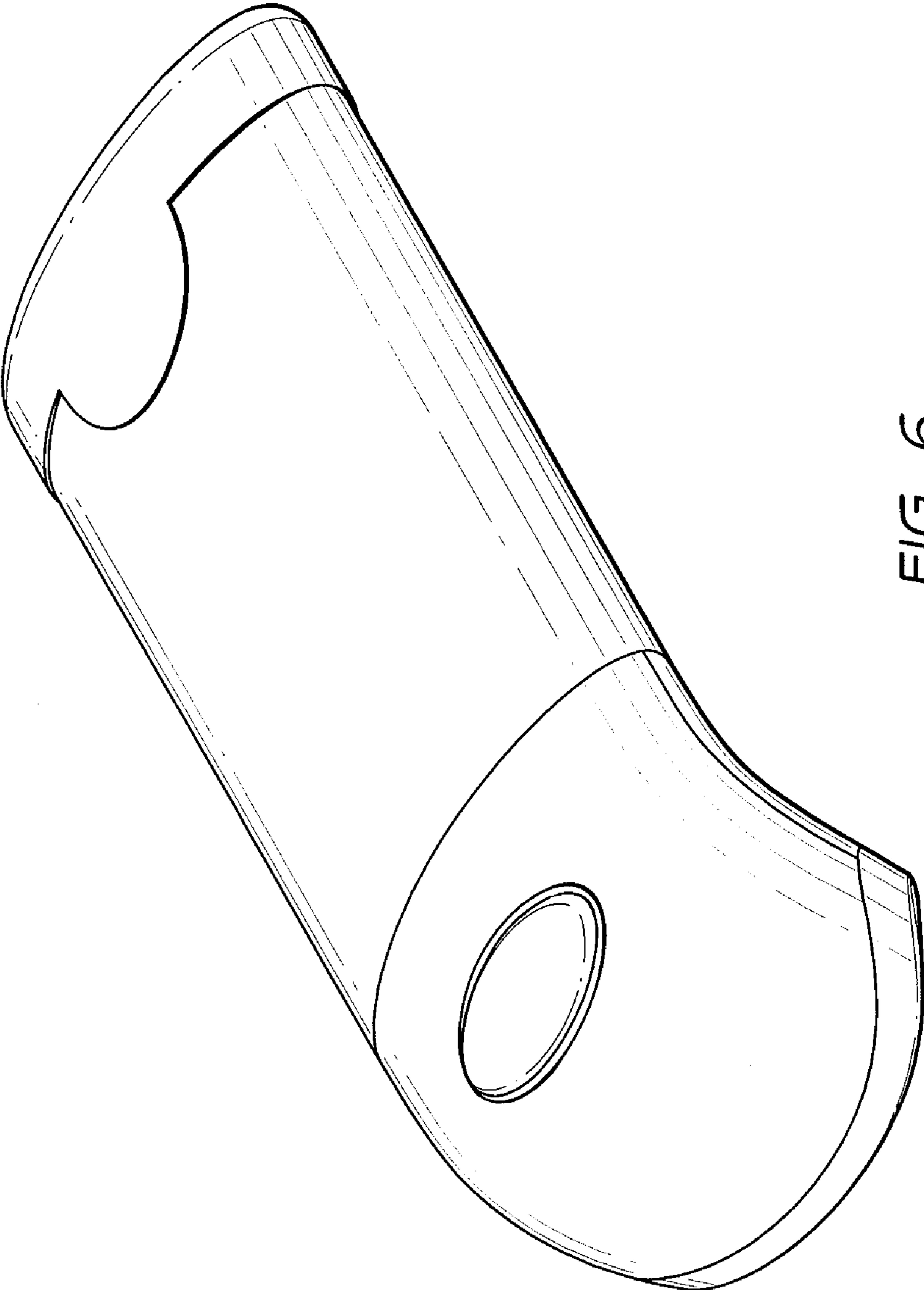


FIG. 6

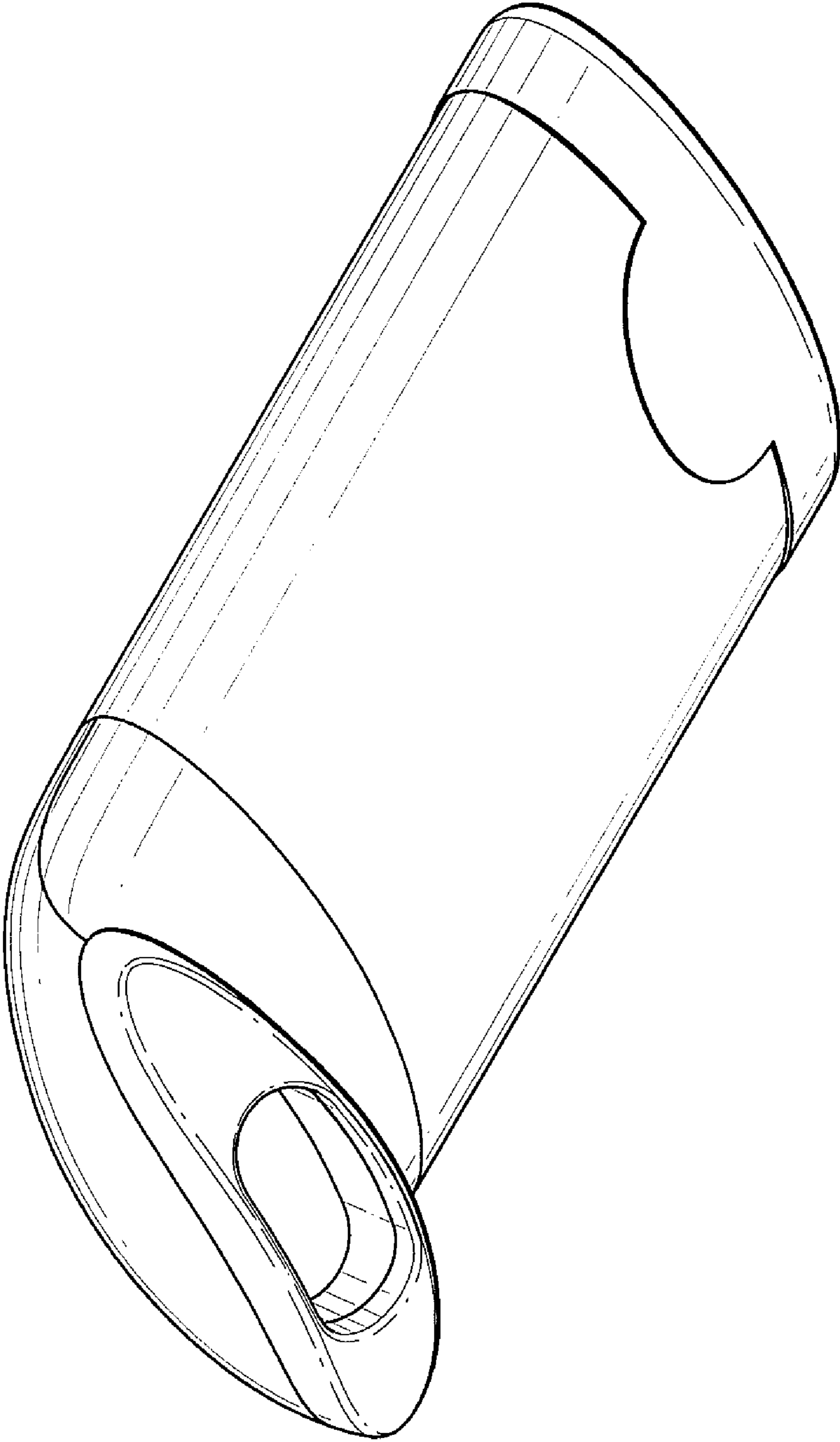


FIG. 7