

US00D569986S

(12) **United States Design Patent**
Ton

(10) **Patent No.:** **US D569,986 S**

(45) **Date of Patent:** **** May 27, 2008**

(54) **SPA TUB**

(75) Inventor: **Franklin M. Ton**, Fairfax, VA (US)

(73) Assignee: **ITC International Trading, Inc.**,
Lorton, VA (US)

(**) Term: **14 Years**

(21) Appl. No.: **29/292,607**

(22) Filed: **Oct. 18, 2007**

(51) **LOC (8) Cl.** **24-04**

(52) **U.S. Cl.** **D24/204**

(58) **Field of Classification Search** D24/200–205,
D24/211–213; D6/336, 495; D28/56, 61;
607/144; 4/622, 574.1; 601/6, 15, 64, 157,
601/158, 30–32

See application file for complete search history.

(56) **References Cited**

U.S. PATENT DOCUMENTS

- 4,620,529 A * 11/1986 Kurosawa 601/157
- D346,043 S * 4/1994 Galati et al. D28/61
- D450,390 S 11/2001 Tran
- D457,018 S * 5/2002 Park D6/495
- 6,503,212 B2 * 1/2003 Park 601/158

D546,957 S * 7/2007 Ton D24/201

* cited by examiner

Primary Examiner—Ian Simmons

Assistant Examiner—Melanie Levy

(74) *Attorney, Agent, or Firm*—Frenkel & Associates, P.C.

(57) **CLAIM**

The ornamental design for a spa tub, as described and shown.

DESCRIPTION

FIG. 1 is a front perspective view of a salon foot spa illustrating my design;

FIG. 2 is a front elevation view thereof;

FIG. 3 is a rear elevation view thereof;

FIG. 4 is a side elevation view of the salon foot spa shown in FIG. 1;

FIG. 5 is an opposite side elevation view of the salon foot spa shown in FIG. 1;

FIG. 6 is a top plan view thereof; and,

FIG. 7 is a bottom plan view thereof.

The broken lines showing spa fixtures are for the purpose of illustrating environmental structure only and do not form part of the claimed design.

1 Claim, 5 Drawing Sheets

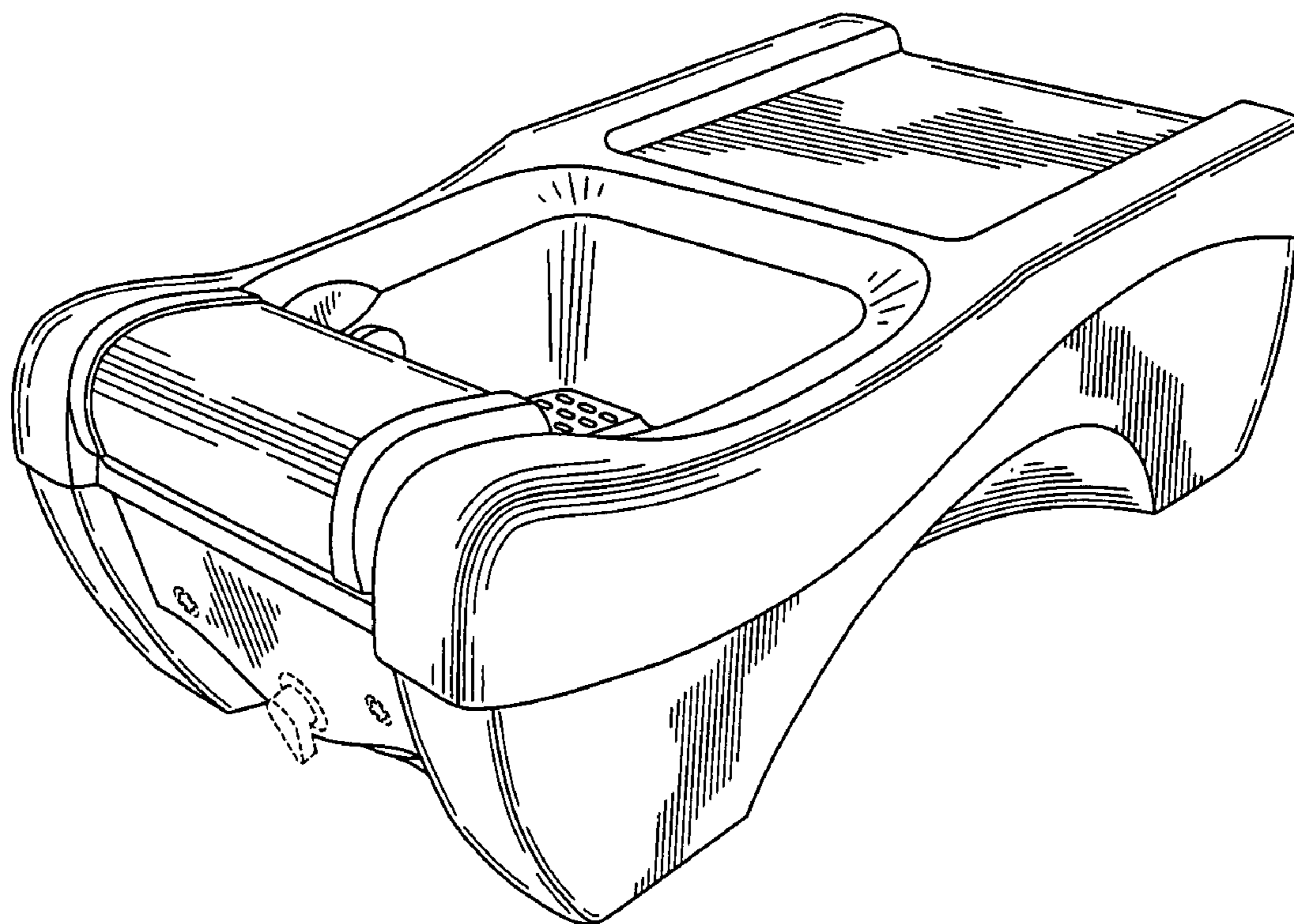


Fig. 1

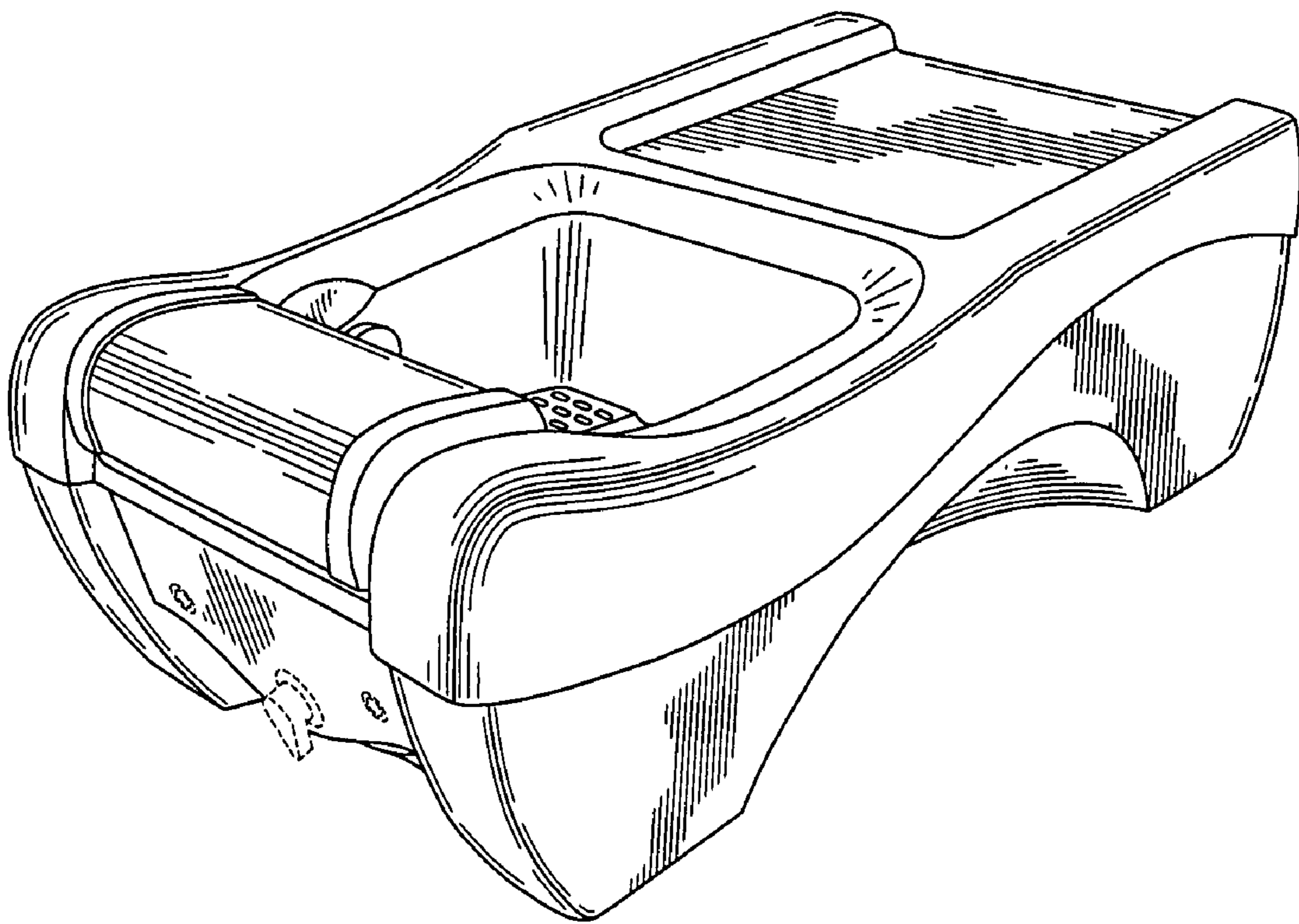


Fig. 2

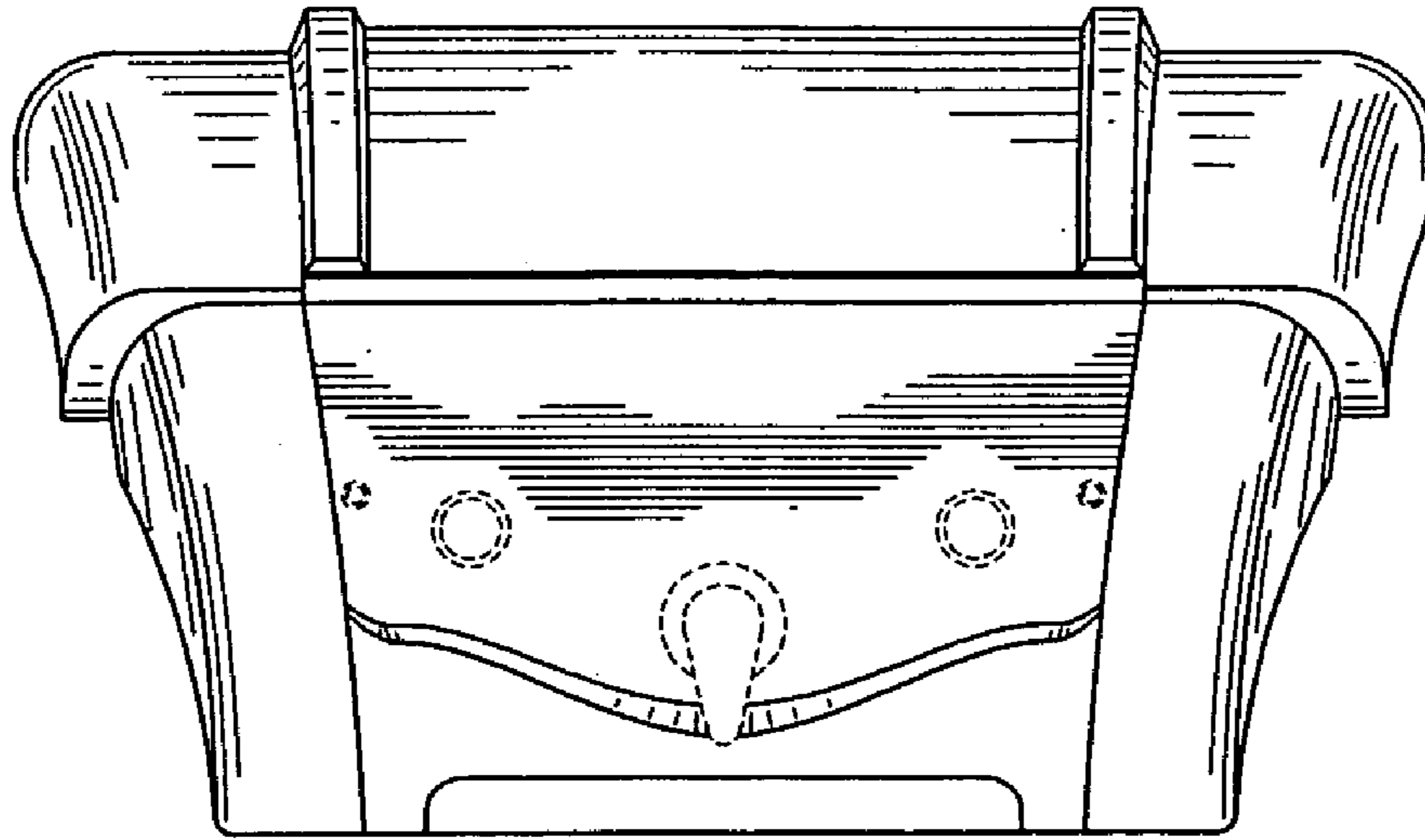


Fig. 3

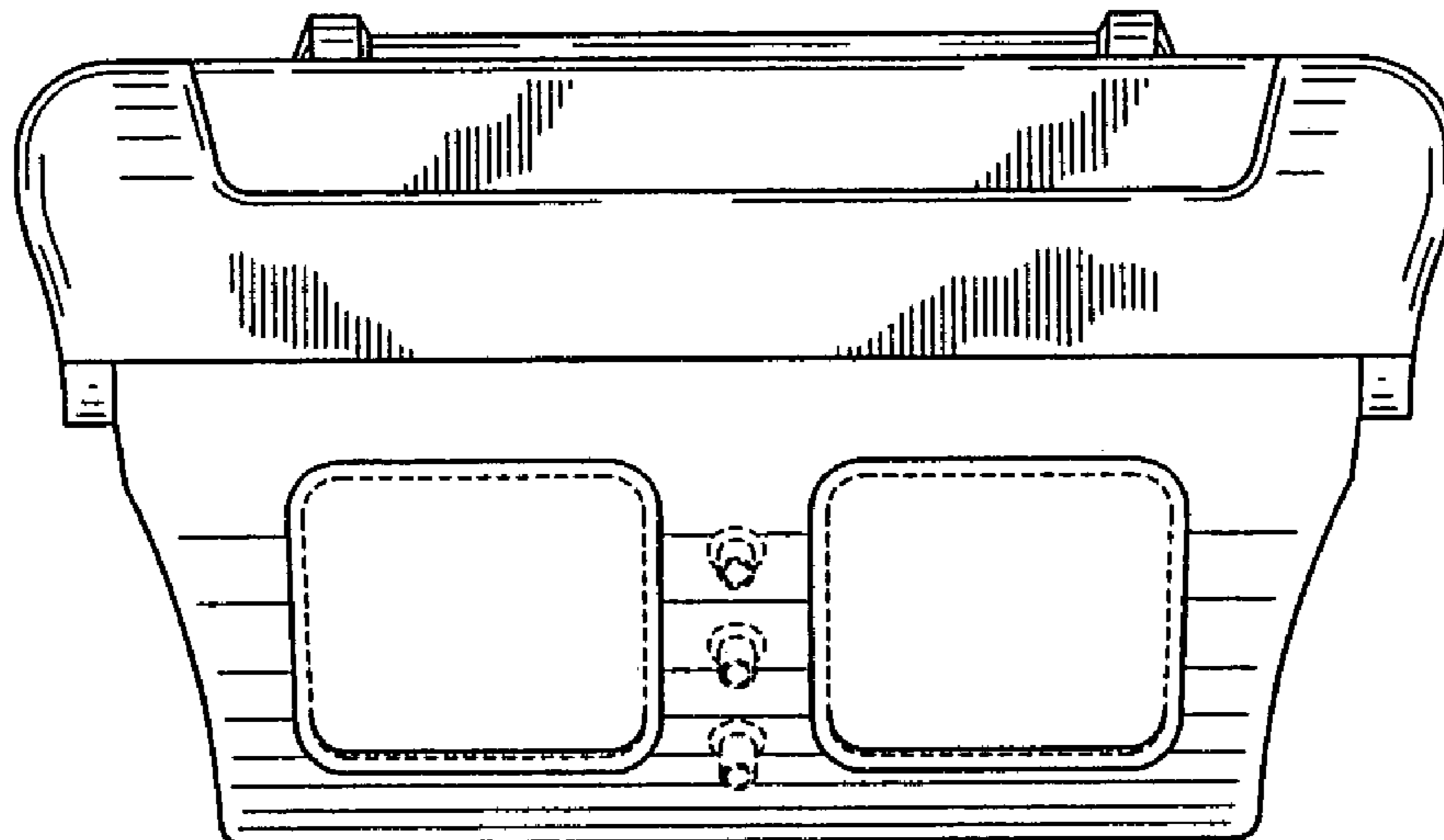


Fig. 4

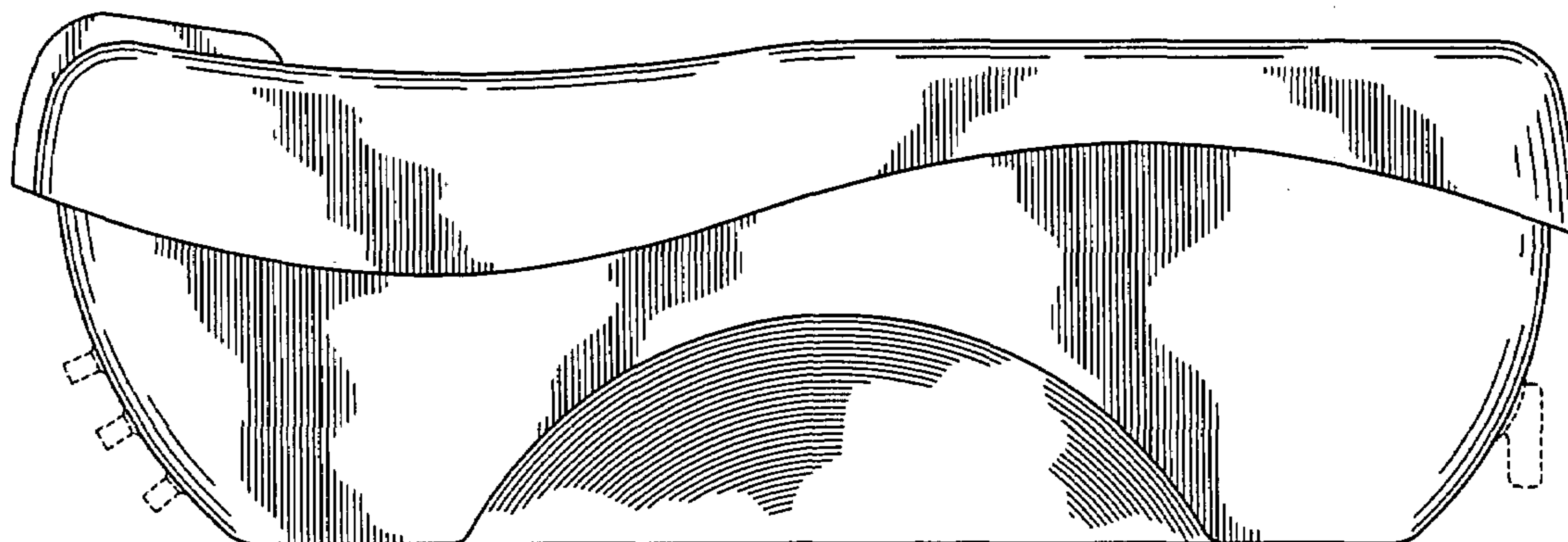


Fig. 5

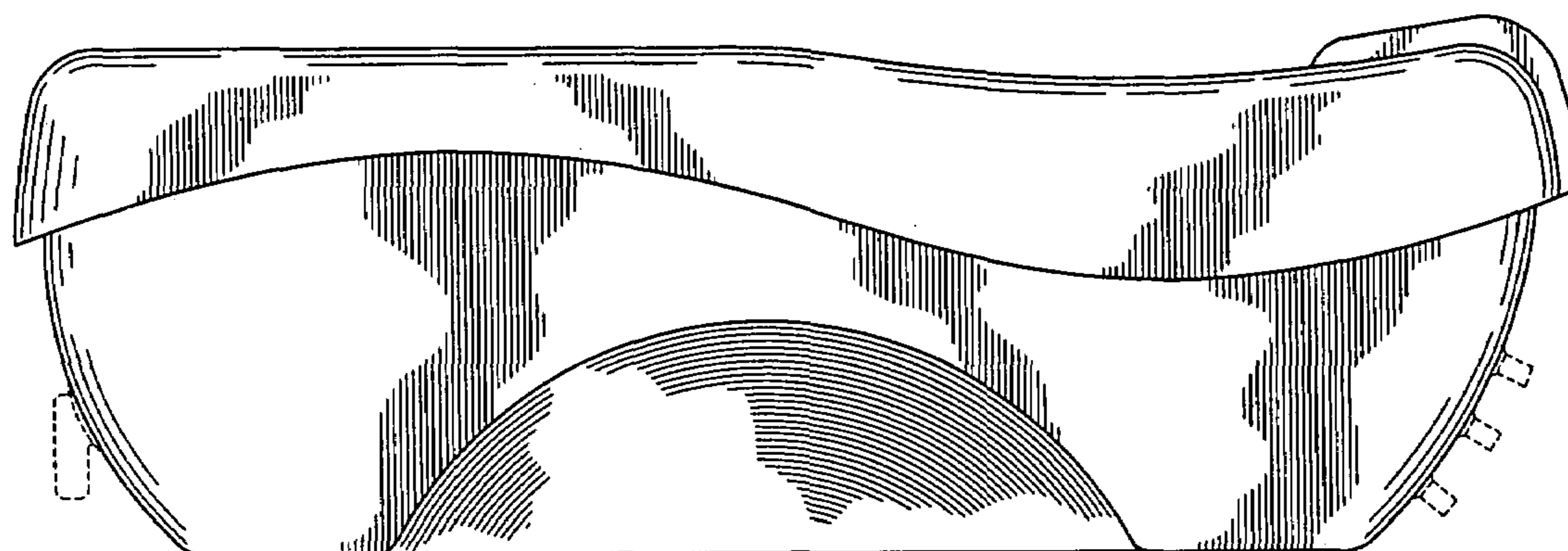


Fig. 6

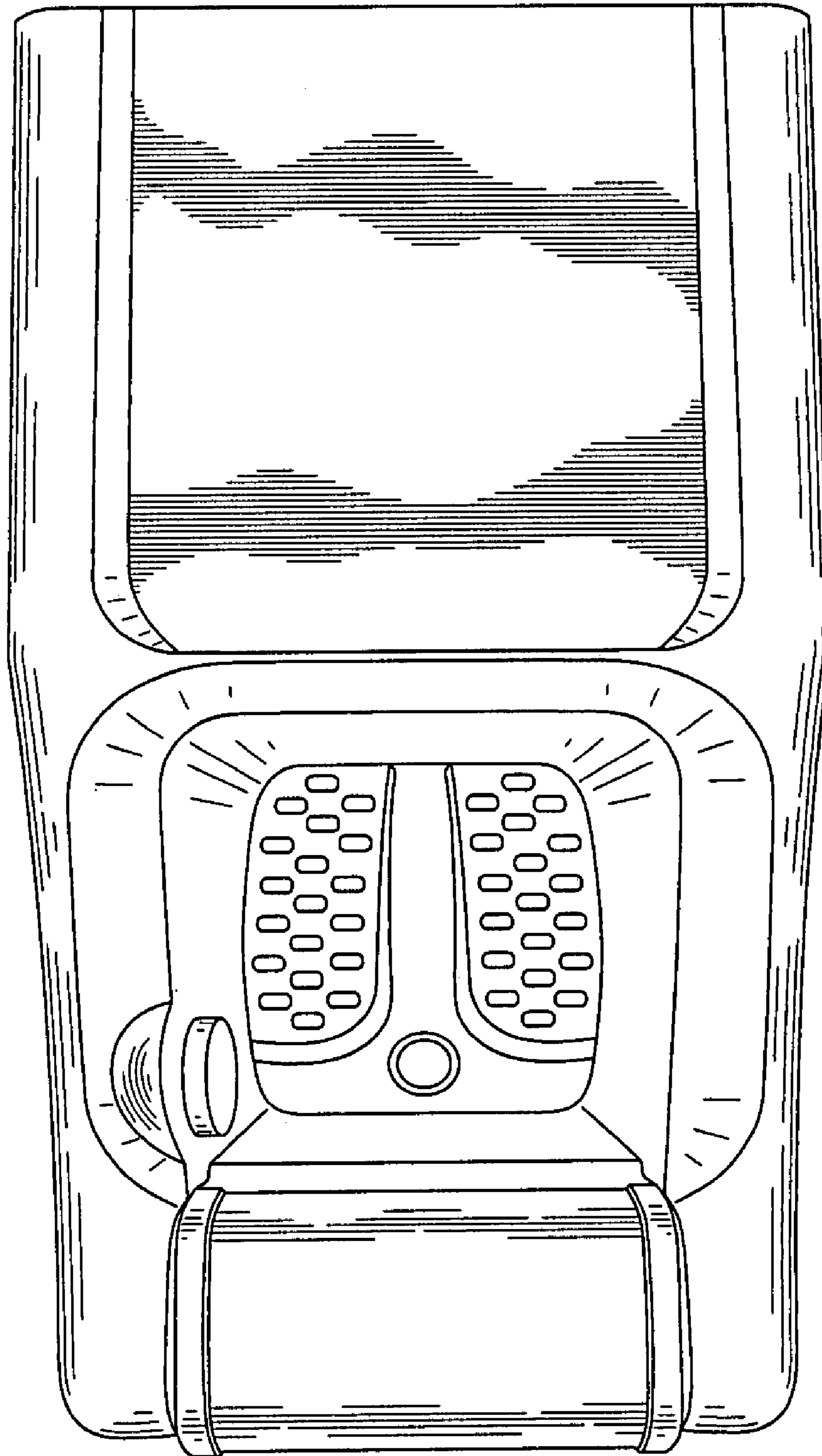


Fig. 7

