



US00D569985S

(12) **United States Design Patent**
Ganapathy et al.

(10) **Patent No.:** **US D569,985 S**

(45) **Date of Patent:** **** May 27, 2008**

(54) **FOOT CUFF FOR THERAPEUTIC COMPRESSION OF A FOOT**

(75) Inventors: **Premnarayan Ganapathy**, Brookline, MA (US); **Steven Nardi**, Taunton, MA (US); **Steven Cote**, Uxbridge, MA (US)

(73) Assignee: **Tyco Healthcare Group LP**, Mansfield, MA (US)

(**) Term: **14 Years**

(21) Appl. No.: **29/280,864**

(22) Filed: **Jun. 8, 2007**

(51) **LOC (8) Cl.** **24-01**

(52) **U.S. Cl.** **D24/192**

(58) **Field of Classification Search** D24/188-192, D24/169; D2/610; 602/4-21, 23, 27, 60, 602/64, 65; 128/871, 878, 882, DIG. 20; 606/201-203; 601/27-32, 149-152
See application file for complete search history.

(56) **References Cited**

U.S. PATENT DOCUMENTS

2,708,930	A *	5/1955	Lowman	602/27
3,701,349	A	10/1972	Larson	
3,824,992	A	7/1974	Nicholson et al.	
3,888,242	A	6/1975	Harris et al.	
4,133,311	A *	1/1979	Karczewski	602/65
4,614,179	A	9/1986	Gardner et al.	
4,614,180	A	9/1986	Gardner et al.	
4,696,289	A	9/1987	Gardner et al.	
4,702,234	A *	10/1987	Huntjens	602/5
4,721,101	A	1/1988	Gardner et al.	
RE32,939	E	6/1989	Gardner et al.	
RE32,940	E	6/1989	Gardner et al.	
4,938,208	A	7/1990	Dye	
4,977,891	A	12/1990	Grim	
5,000,164	A	3/1991	Cooper	

5,007,411	A	4/1991	Dye	
5,078,128	A	1/1992	Grim et al.	
5,094,252	A	3/1992	Stumpf	
5,218,954	A	6/1993	van Bemmelen	
D341,424	S *	11/1993	Lurie	D24/189
5,288,286	A	2/1994	Davis et al.	
5,354,260	A	10/1994	Cook	
5,396,896	A	3/1995	Tumey et al.	
5,399,152	A	3/1995	Habermeyer et al.	
5,400,529	A	3/1995	Bell et al.	

(Continued)

Primary Examiner—Robert M. Spear
Assistant Examiner—Susan E Krakower

(74) *Attorney, Agent, or Firm*—Edward S. Jarmolowicz

(57) **CLAIM**

The ornamental design for a foot cuff for therapeutic compression of a foot, as shown and described.

DESCRIPTION

FIG. 1 is a bottom plan view of a first embodiment of a foot cuff for therapeutic compression of a foot showing our new design;

FIG. 2 is a top plan view thereof;

FIG. 3 is a front elevational view thereof;

FIG. 4 is a rear elevational view thereof;

FIG. 5 is a left side elevational view thereof;

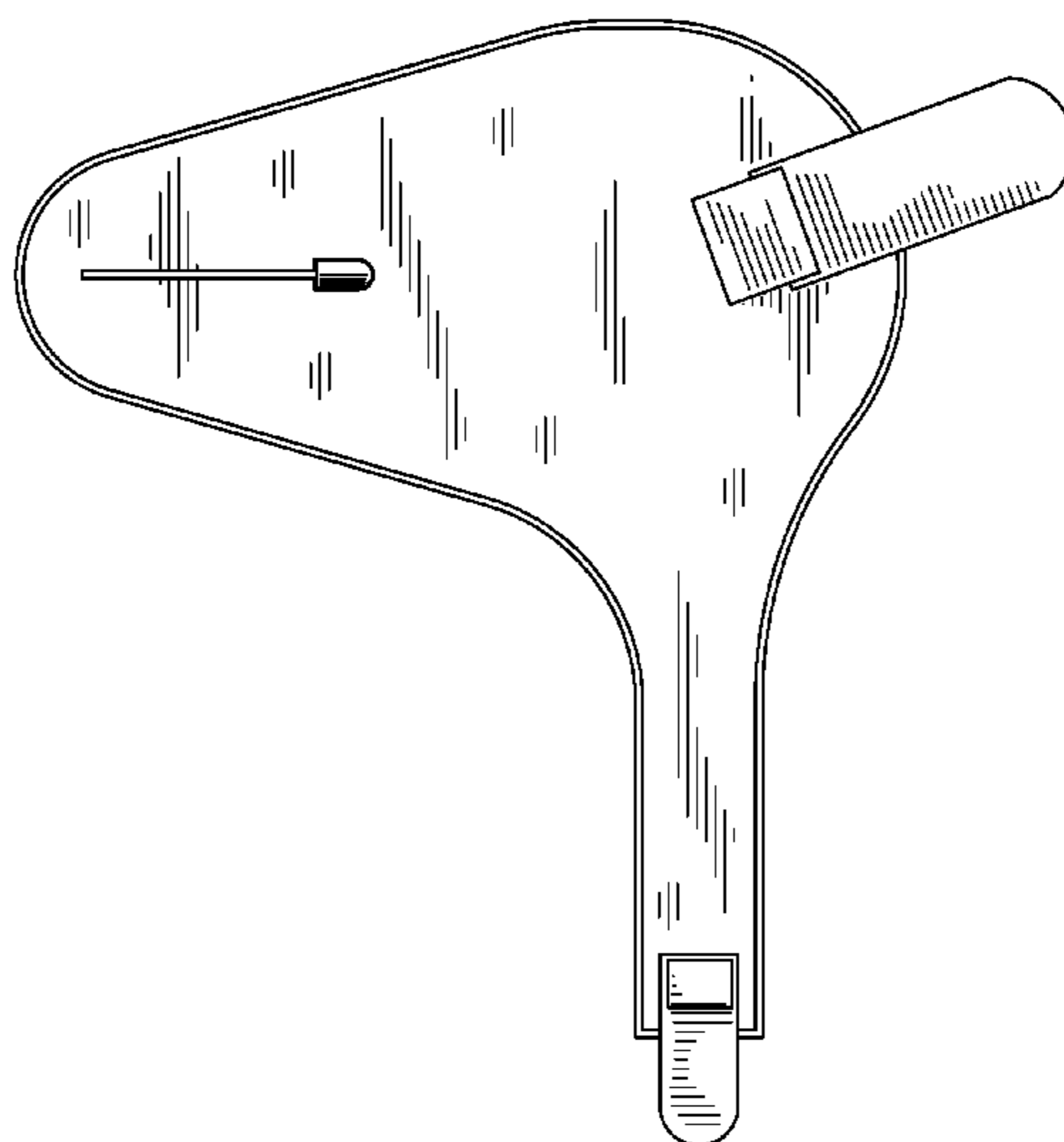
FIG. 6 is a right side elevational view thereof;

FIG. 7 is a bottom plan view of a second embodiment of a foot cuff for therapeutic compression of a foot showing our new design; and,

FIG. 8 is a top plan view thereof.

The broken lines in the drawings indicate environmental structure, which forms no part of the claimed design.

1 Claim, 8 Drawing Sheets



US D569,985 S

U.S. PATENT DOCUMENTS					
5,407,418	A	4/1995	Szpur	6,589,194	B1 7/2003 Calderon et al.
5,407,421	A	4/1995	Goldsmith	6,592,534	B1 7/2003 Rutt et al.
5,425,742	A	6/1995	Joy	6,629,941	B1 10/2003 Ishibashi et al.
5,453,082	A	9/1995	Lamont	6,632,188	B2 10/2003 Thomas et al.
5,458,562	A	10/1995	Cooper	D482,792	S * 11/2003 McCormick et al. D24/192
5,464,385	A	11/1995	Grim	6,682,497	B2 1/2004 Jensen et al.
5,484,392	A *	1/1996	Sydor et al. 602/5	6,685,661	B2 2/2004 Peled
5,577,998	A	11/1996	Johnson, Jr. et al.	6,785,985	B2 9/2004 Marvin et al.
5,584,798	A	12/1996	Fox	6,846,295	B1 1/2005 Ben-Nun
5,588,955	A	12/1996	Johnson, Jr. et al.	6,893,409	B1 * 5/2005 Lina 601/152
5,591,200	A	1/1997	Cone et al.	6,921,373	B1 7/2005 Bernstein
5,669,872	A	9/1997	Fox	6,945,944	B2 9/2005 Kuiper et al.
5,688,225	A	11/1997	Walker	D513,324	S * 12/2005 Cook et al. D24/192
D397,797	S *	9/1998	Chiang D24/192	6,988,329	B2 1/2006 Marvin et al.
5,806,208	A	9/1998	French	D517,695	S * 3/2006 Gillis et al. D24/169
5,830,164	A	11/1998	Cone et al.	7,008,390	B2 3/2006 Miotto et al.
5,833,639	A	11/1998	Nunes et al.	7,047,670	B2 5/2006 Marvin et al.
5,840,049	A	11/1998	Tumey et al.	7,150,720	B2 12/2006 Adkins et al.
5,843,007	A	12/1998	McEwen et al.	2001/0018564	A1 8/2001 Manor et al.
D405,180	S *	2/1999	Reina D24/190	2002/0022791	A1 2/2002 Morris et al.
5,868,690	A	2/1999	Eischen, Sr.	2002/0042583	A1 4/2002 Barak et al.
5,891,065	A	4/1999	Cariapa et al.	2002/0133106	A1 9/2002 Peled
D411,301	S	6/1999	Hampson et al.	2003/0125649	A1 7/2003 McIntosh et al.
5,931,797	A	8/1999	Tumey et al.	2004/0064077	A1 4/2004 Dillon
5,987,779	A	11/1999	Litchfield et al.	2004/0171971	A1 9/2004 Ravikumar et al.
5,989,204	A	11/1999	Lina	2005/0027218	A1 2/2005 Filtvedt et al.
6,014,823	A	1/2000	Lakic	2005/0131321	A1 6/2005 Ravikumar
6,066,107	A	5/2000	Habermeyer	2005/0145256	A1 7/2005 Howard et al.
6,228,044	B1	5/2001	Jensen et al.	2005/0171461	A1 8/2005 Pick
6,290,662	B1	9/2001	Morris et al.	2005/0187500	A1 8/2005 Perry et al.
6,293,918	B1 *	9/2001	Wang 602/20	2005/0187501	A1 8/2005 Ravikumar
6,319,215	B1	11/2001	Manor et al.	2005/0203452	A1 9/2005 Weston et al.
6,406,450	B1	6/2002	Kowalczyk et al.	2005/0261615	A1 11/2005 Weston
6,423,017	B2	7/2002	Brotz	2006/0004310	A1 1/2006 Parizot
6,447,467	B1	9/2002	Barak	2006/0004311	A1 1/2006 Hargrave et al.
6,468,237	B1	10/2002	Lina	2006/0135894	A1 6/2006 Linnane et al.
6,478,757	B1	11/2002	Barak	2006/0178606	A1 8/2006 Logue et al.
6,488,643	B1	12/2002	Tumey et al.	2006/0189905	A1 8/2006 Eischen, Sr.
6,494,852	B1	12/2002	Barak et al.	2006/0189907	A1 8/2006 Pick et al.
6,544,202	B2	4/2003	McEwen et al.	2007/0010770	A1 1/2007 Gildersleeve
6,585,669	B2	7/2003	Manor et al.	2007/0135743	A1 6/2007 Meyer

* cited by examiner

FIG. 1

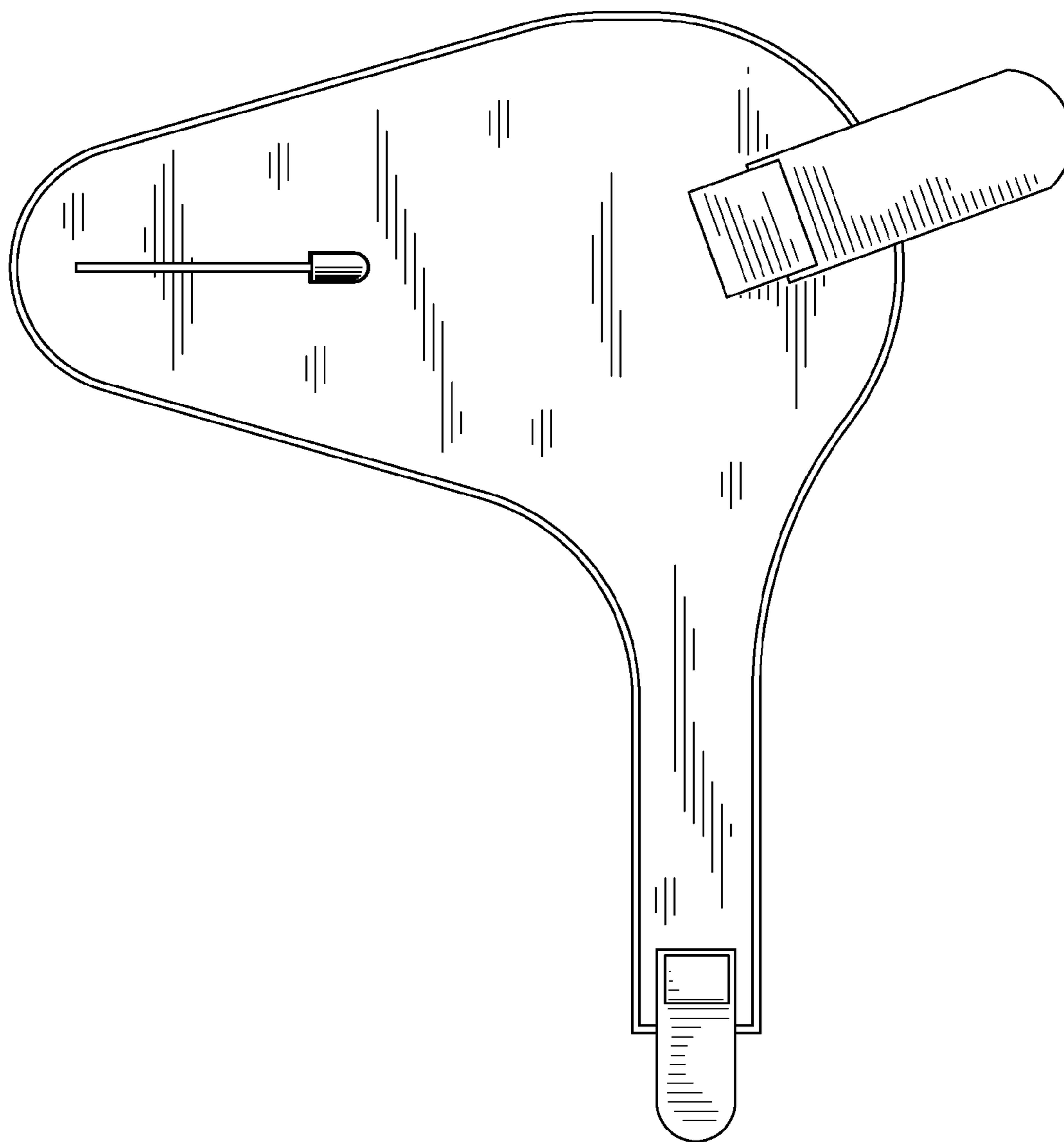
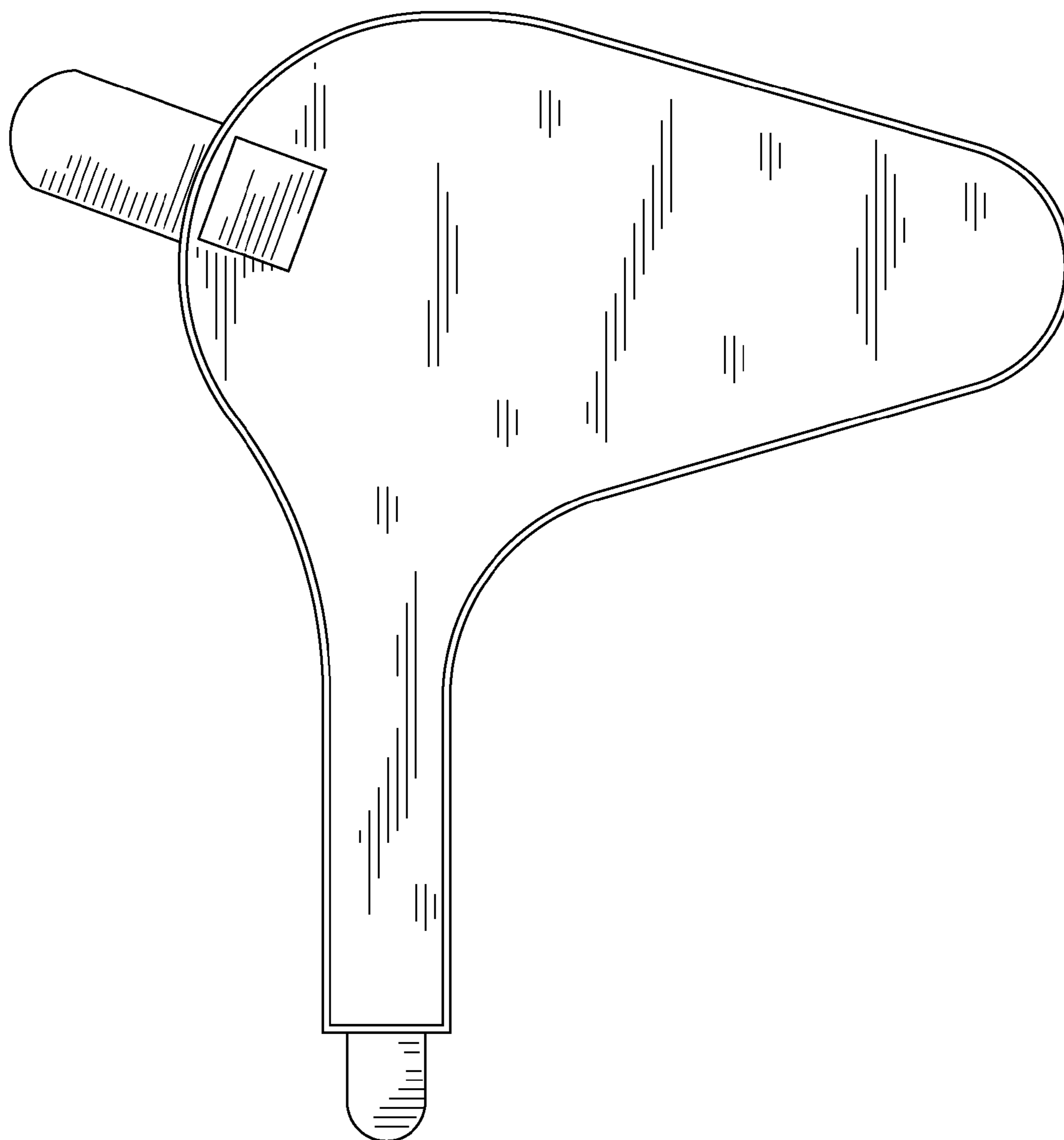


FIG. 2



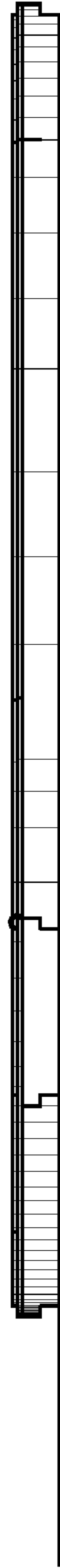


FIG. 3

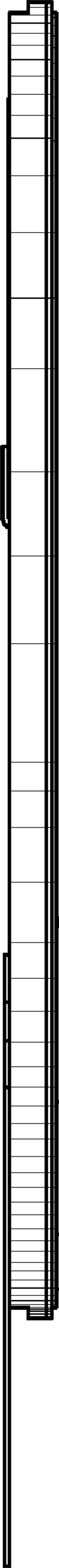


FIG. 4

FIG. 5

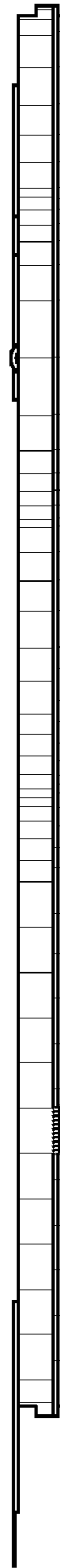


FIG. 6

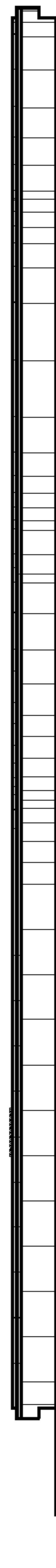


FIG. 7

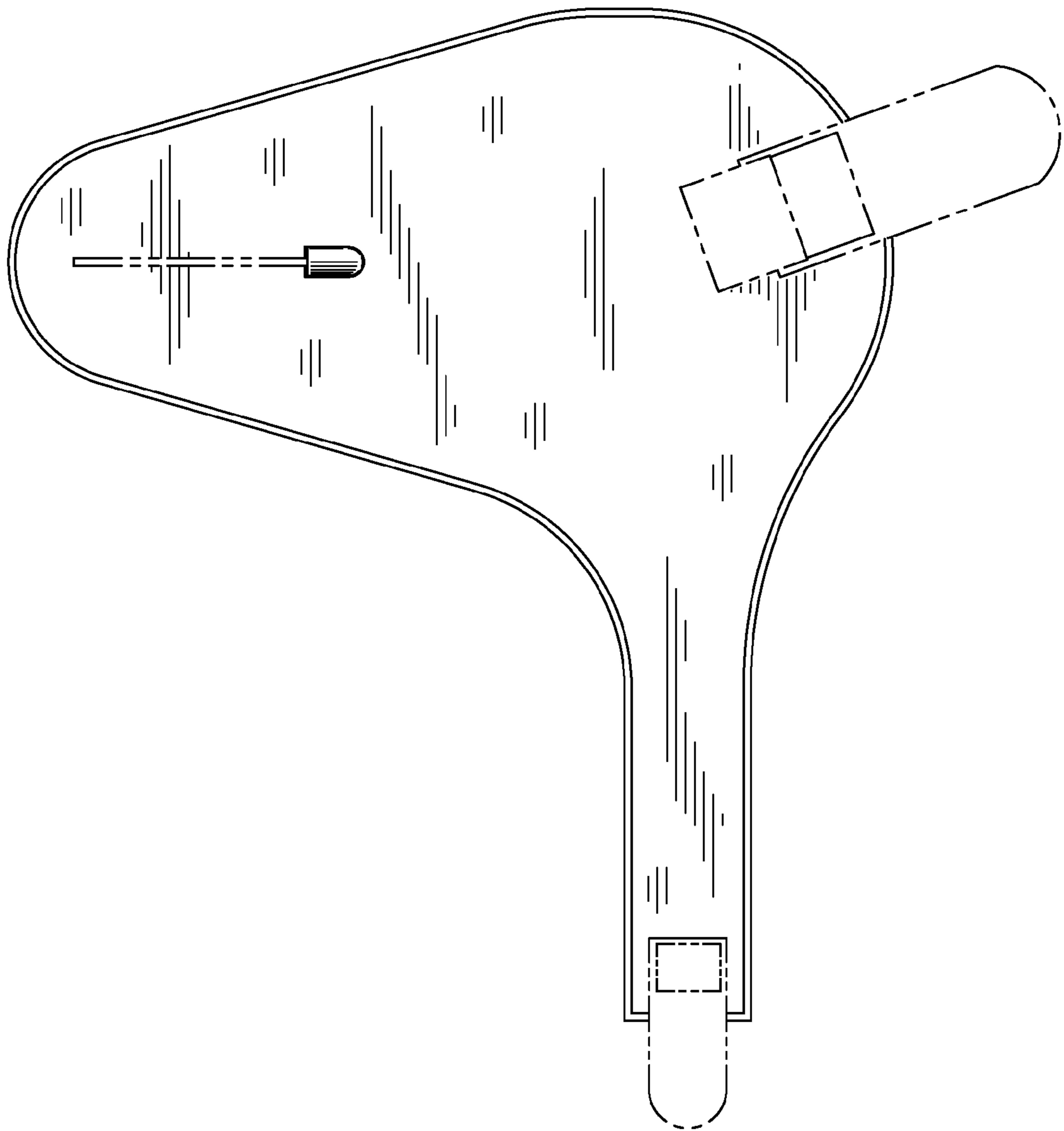


FIG. 8

