



US00D569981S

(12) **United States Design Patent**  
**Collins**

(10) **Patent No.:** **US D569,981 S**

(45) **Date of Patent:** **\*\* May 27, 2008**

(54) **HOUSING FOR INSTRUMENT FOR TAKING HEALTH RELATED MEASUREMENTS**

D554,264 S \* 10/2007 Watson et al. .... D24/186  
D554,759 S \* 11/2007 Barker ..... D24/186

(76) Inventor: **John Collins**, 300 Elfman Dr.,  
Monrovia, CA (US) 91016

\* cited by examiner

*Primary Examiner*—Robert A. Delehanty

*Assistant Examiner*—Mark Cavanna

(74) *Attorney, Agent, or Firm*—Wood, Phillips, Katz, Clark & Mortimer

(\*\*) Term: **14 Years**

(21) Appl. No.: **29/267,986**

(22) Filed: **Oct. 26, 2006**

(57) **CLAIM**

(51) **LOC (8) Cl.** ..... **24-02**

(52) **U.S. Cl.** ..... **D24/186**

(58) **Field of Classification Search** ..... D24/108,  
D24/127–128, 169, 180, 185–186, 216; D13/107–110,  
D13/118–119; D14/217, 251, 253, 432,  
D14/434; 600/513, 519, 523, 528, 536, 538,  
600/549

The ornamental design for a housing for instrument for taking health related measurements, as shown and described.

See application file for complete search history.

**DESCRIPTION**

(56) **References Cited**

U.S. PATENT DOCUMENTS

4,715,385	A	*	12/1987	Cudahy et al.	.....	600/523
D411,989	S	*	7/1999	Grossman et al.	.....	D14/434
D434,142	S	*	11/2000	Cheney et al.	.....	D24/180
D440,977	S	*	4/2001	Weisz et al.	.....	D14/434
D446,854	S	*	8/2001	Cheney et al.	.....	D24/108
D452,564	S	*	12/2001	Micinski et al.	.....	D24/169
D470,849	S	*	2/2003	Bertagnole et al.	.....	D14/434
D493,232	S	*	7/2004	Wohlstadter et al.	.....	D24/216
D516,026	S	*	2/2006	Barrett et al.	.....	D24/186
D545,812	S	*	7/2007	Grady et al.	.....	D14/217
D551,658	S	*	9/2007	Hussaini et al.	.....	D14/217

FIG. 1 is a front, top and right side perspective view of my design for housing for instrument for taking health related measurements;

FIG. 2 is a front elevation view thereof;

FIG. 3 is a rear elevation view thereof;

FIG. 4 is a right side elevation view thereof;

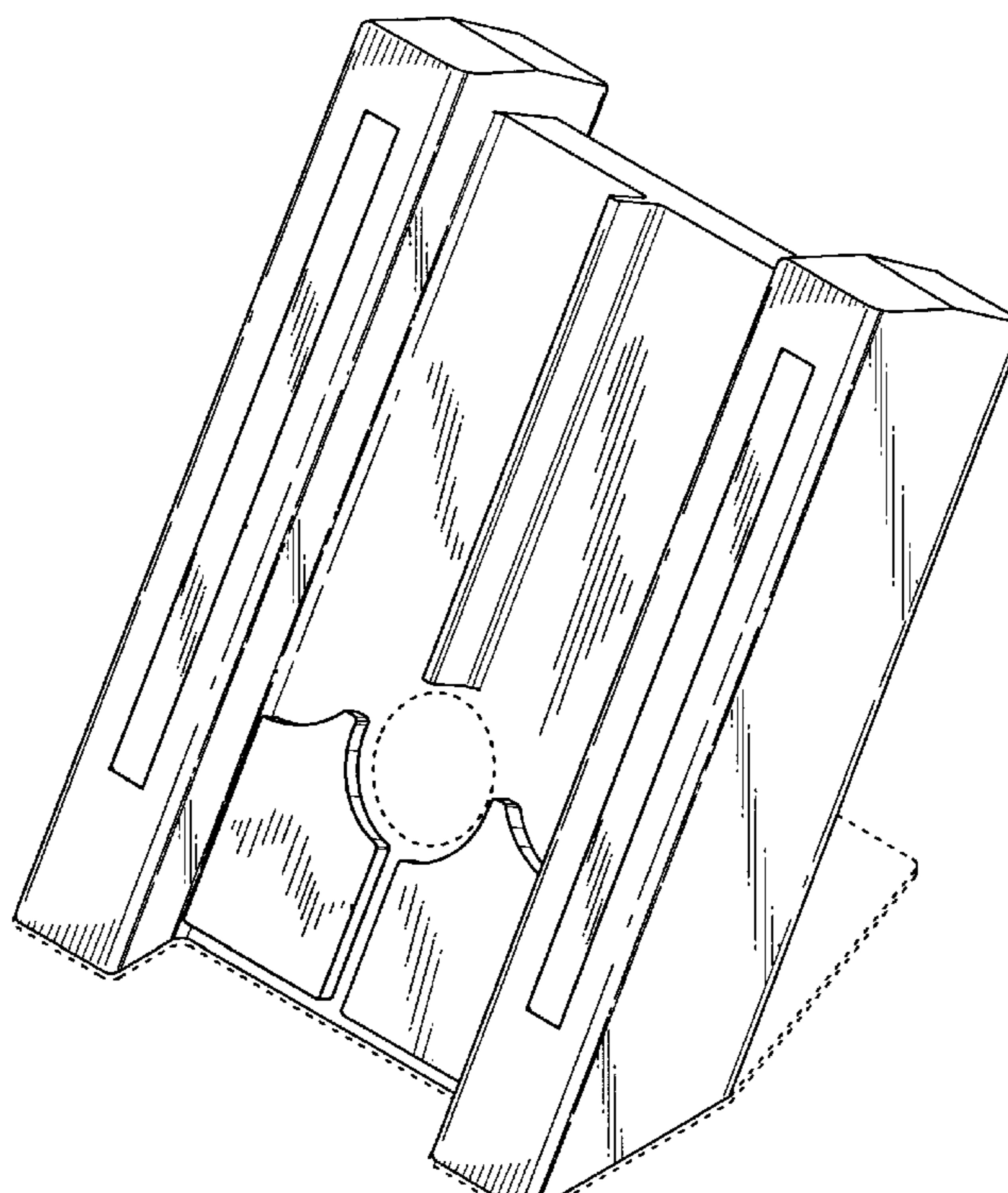
FIG. 5 is a left side elevation view thereof;

FIG. 6 is a plan view thereof; and,

FIG. 7 is a bottom view thereof.

The broken line showing of the base, a circular area on the front and the six smaller circular areas on the back of the housing for instrument for taking health related measurements is included for the purpose of illustration and forms no part of the claimed design.

**1 Claim, 4 Drawing Sheets**



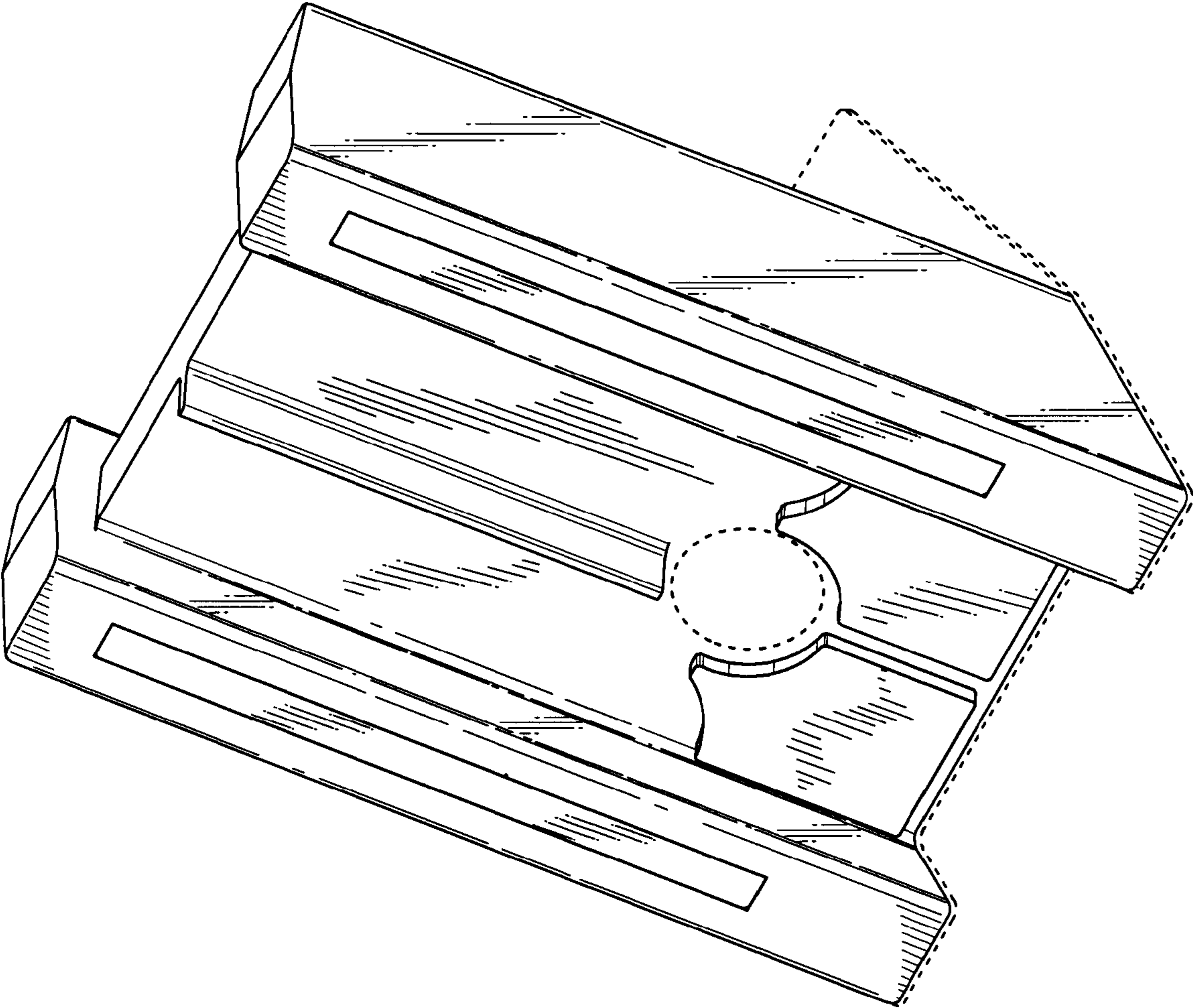
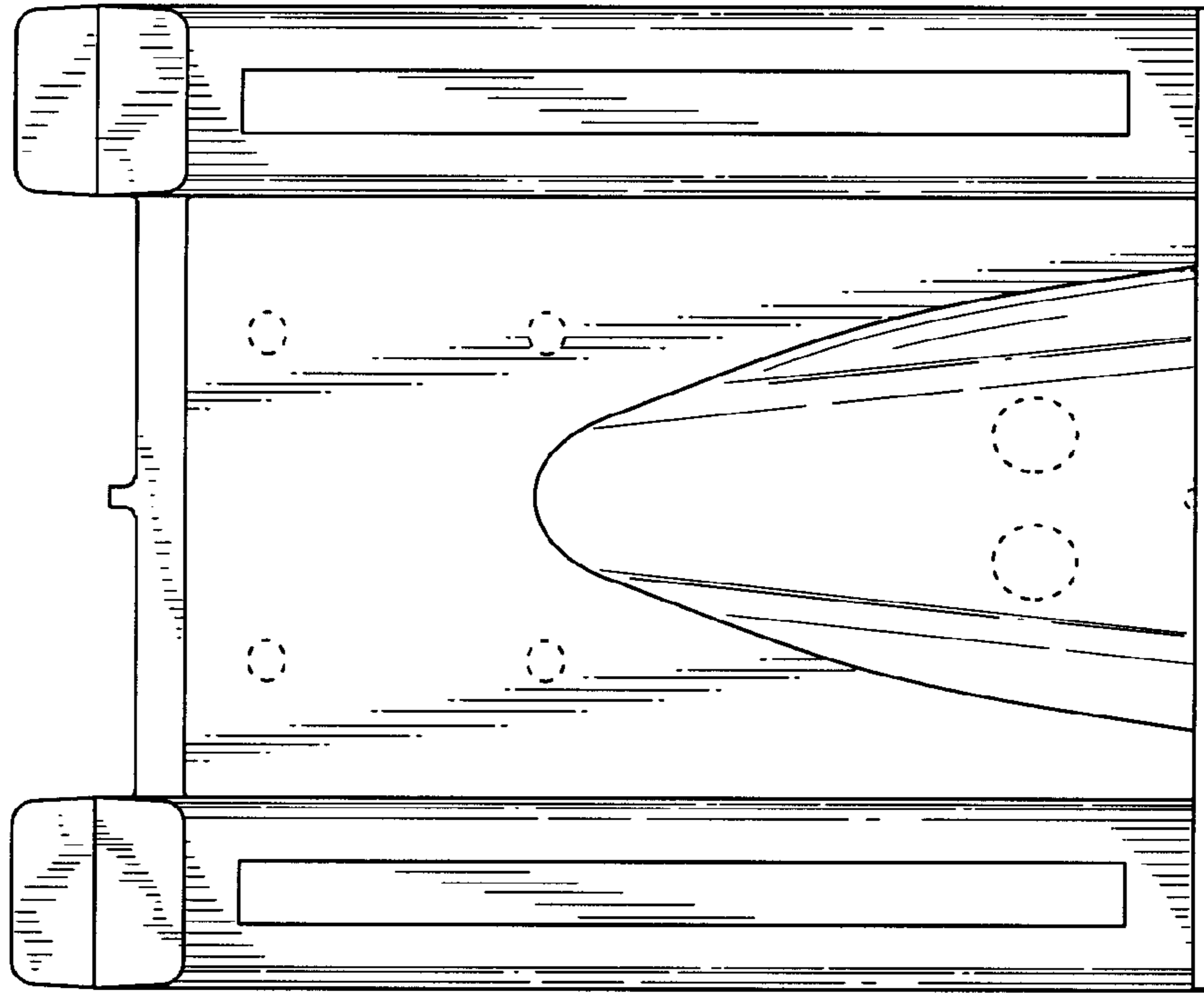
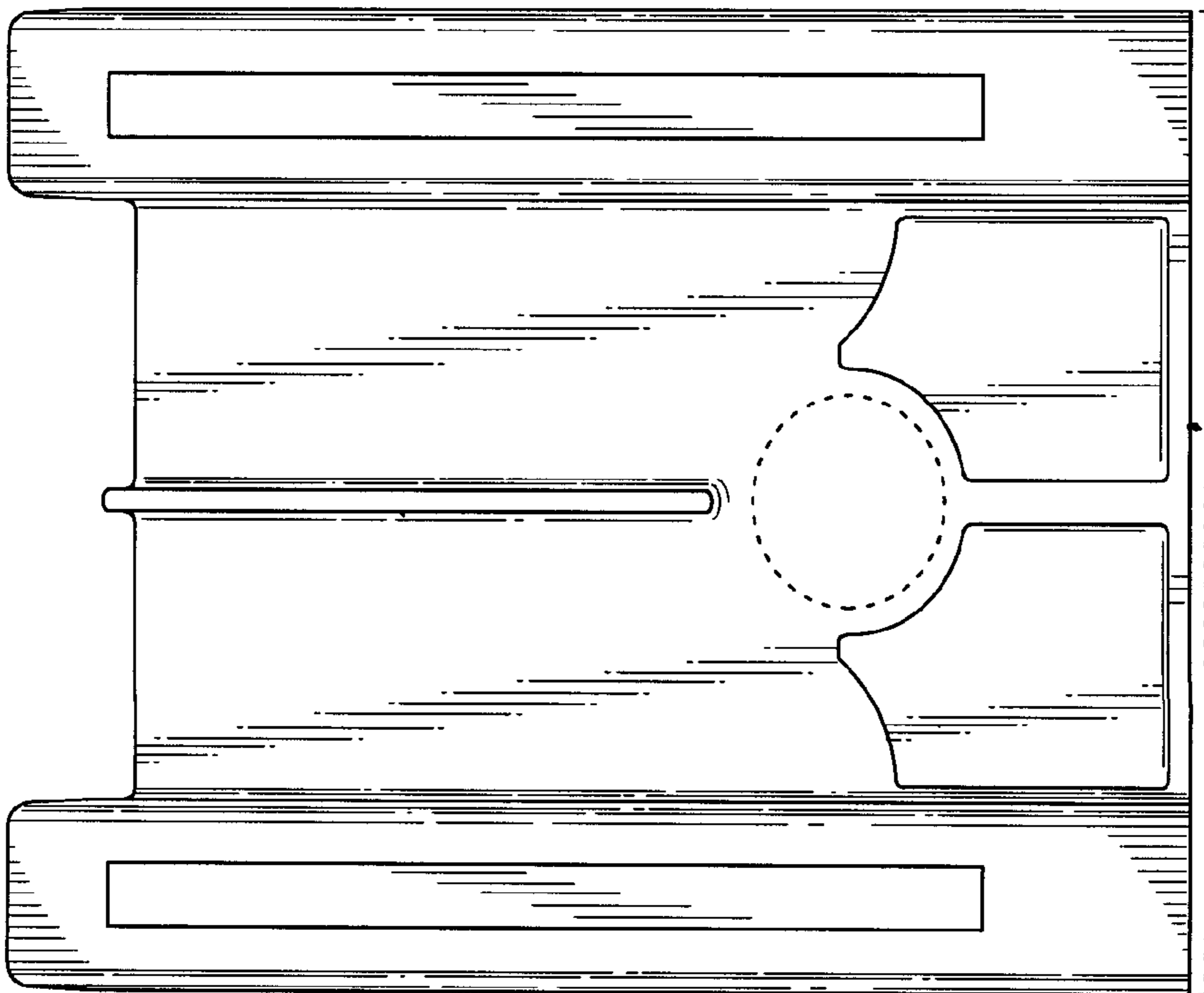


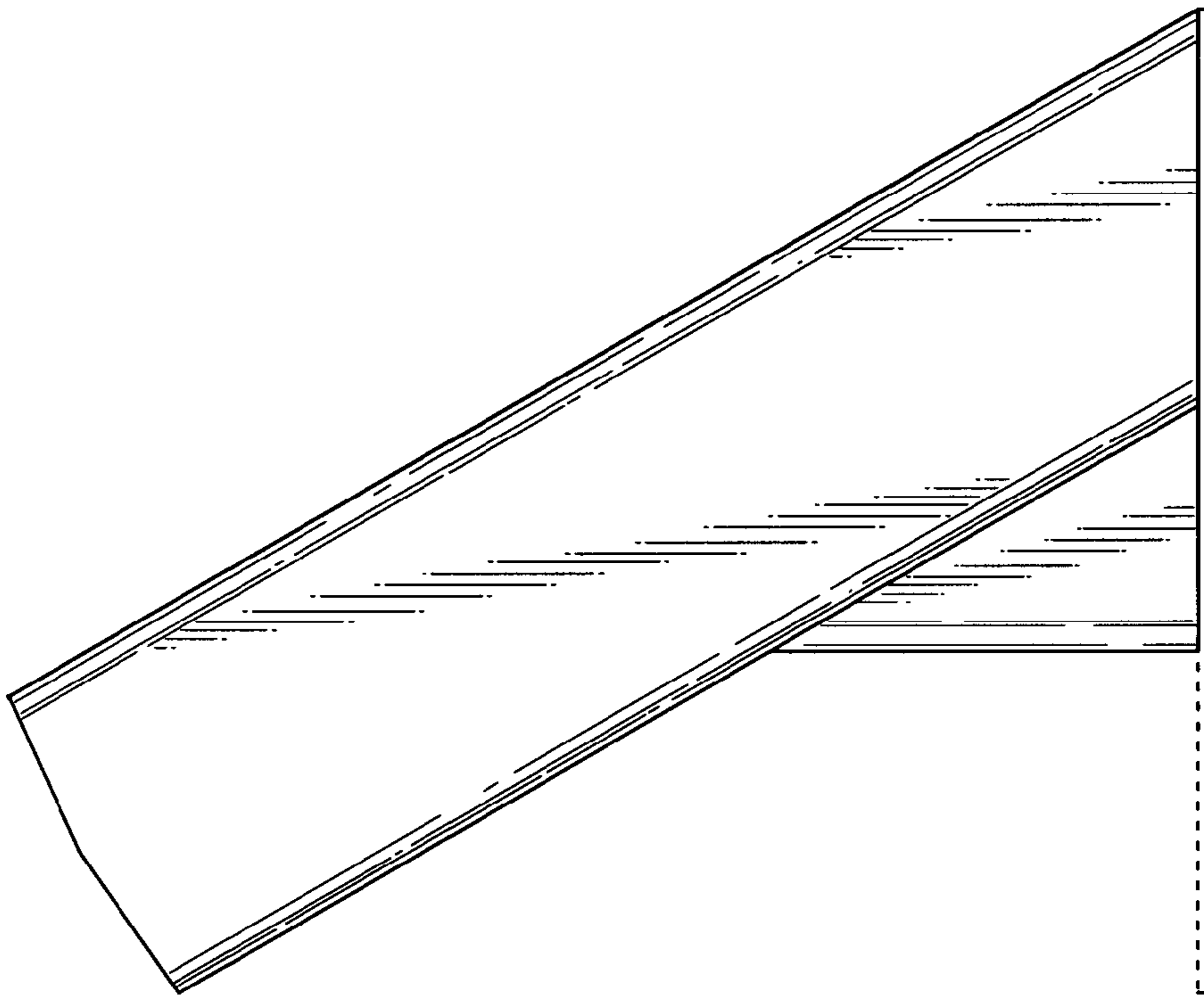
Fig. 1



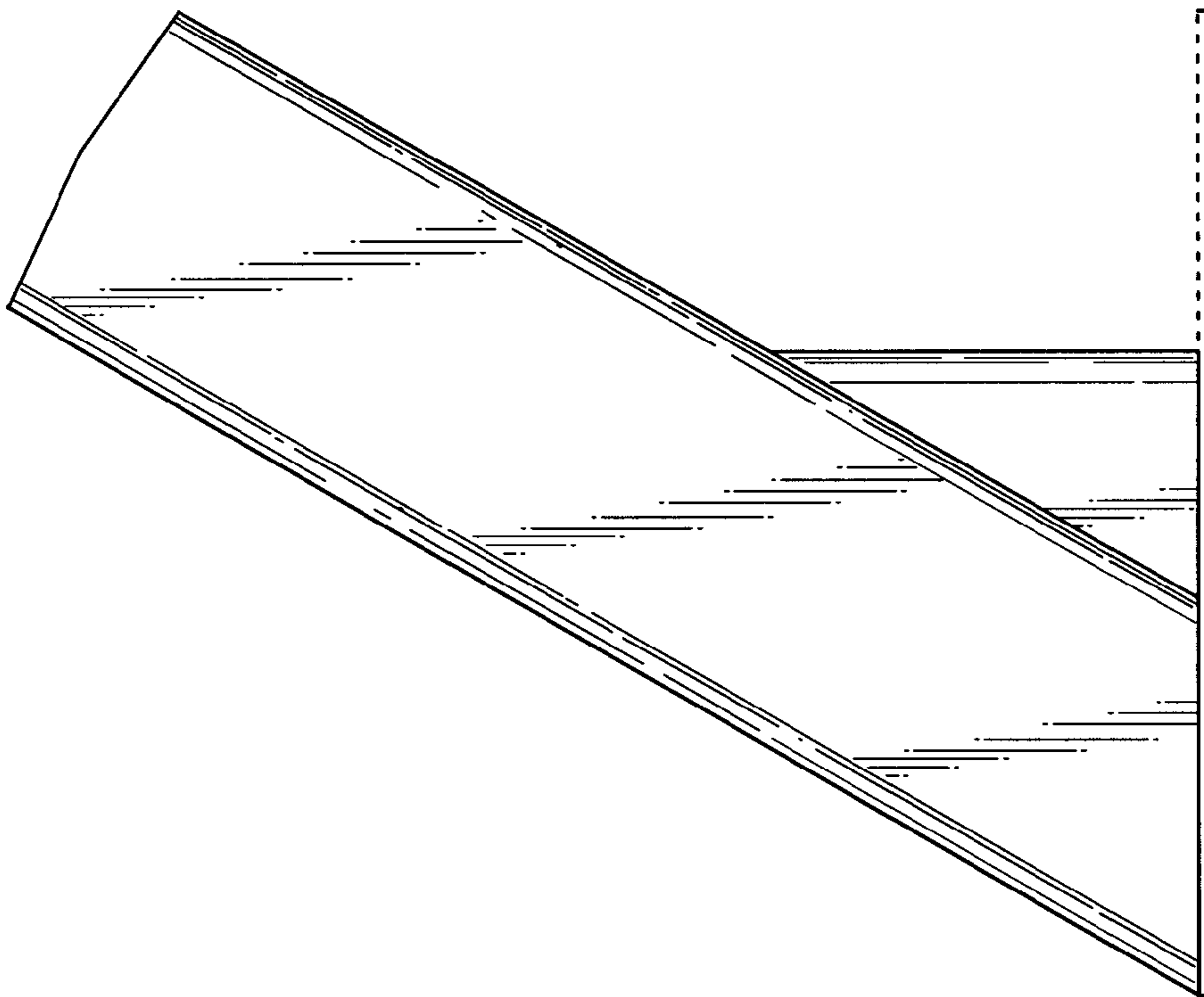
*Fig. 3*



*Fig. 2*

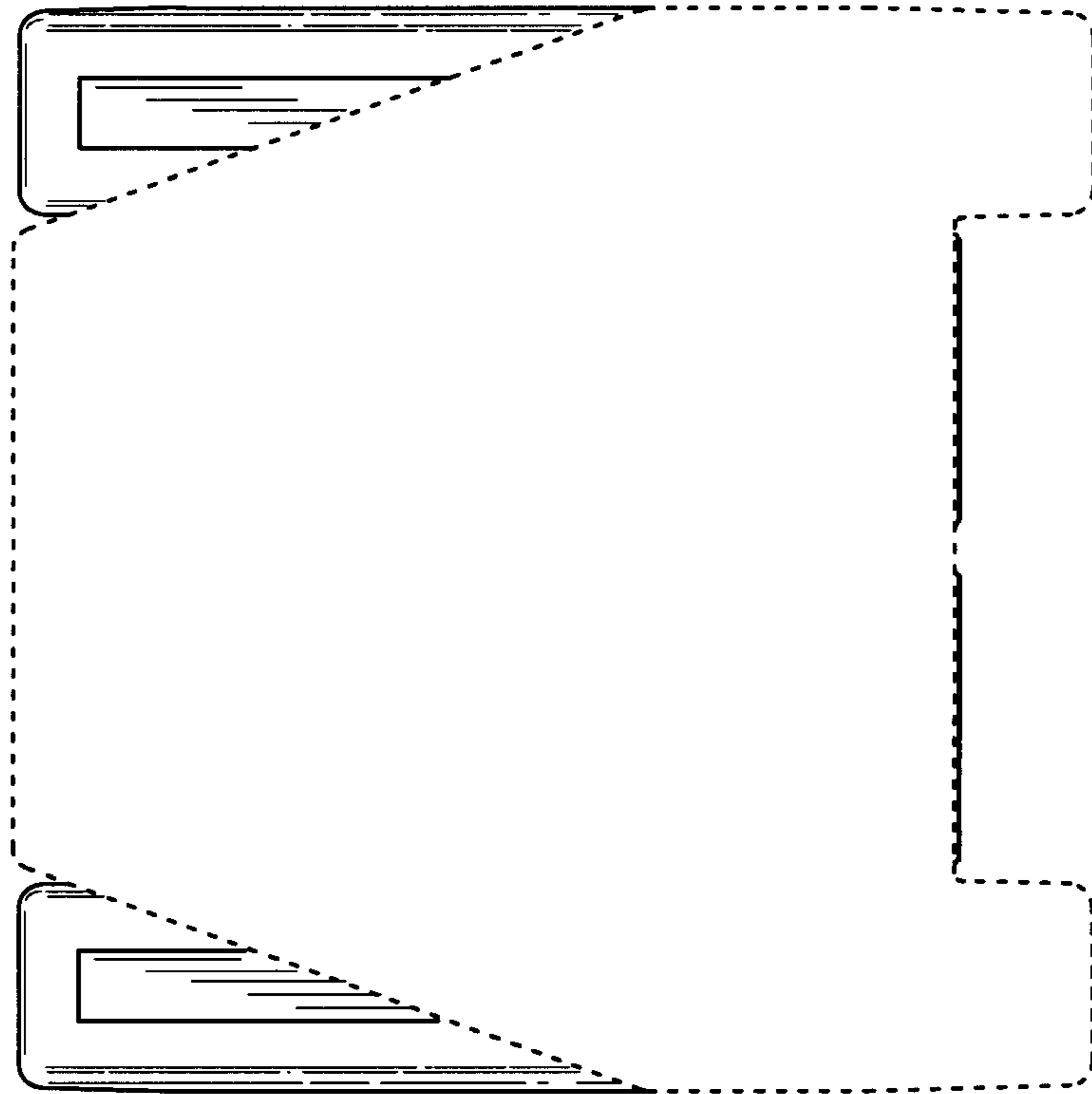


*Fig. 4*

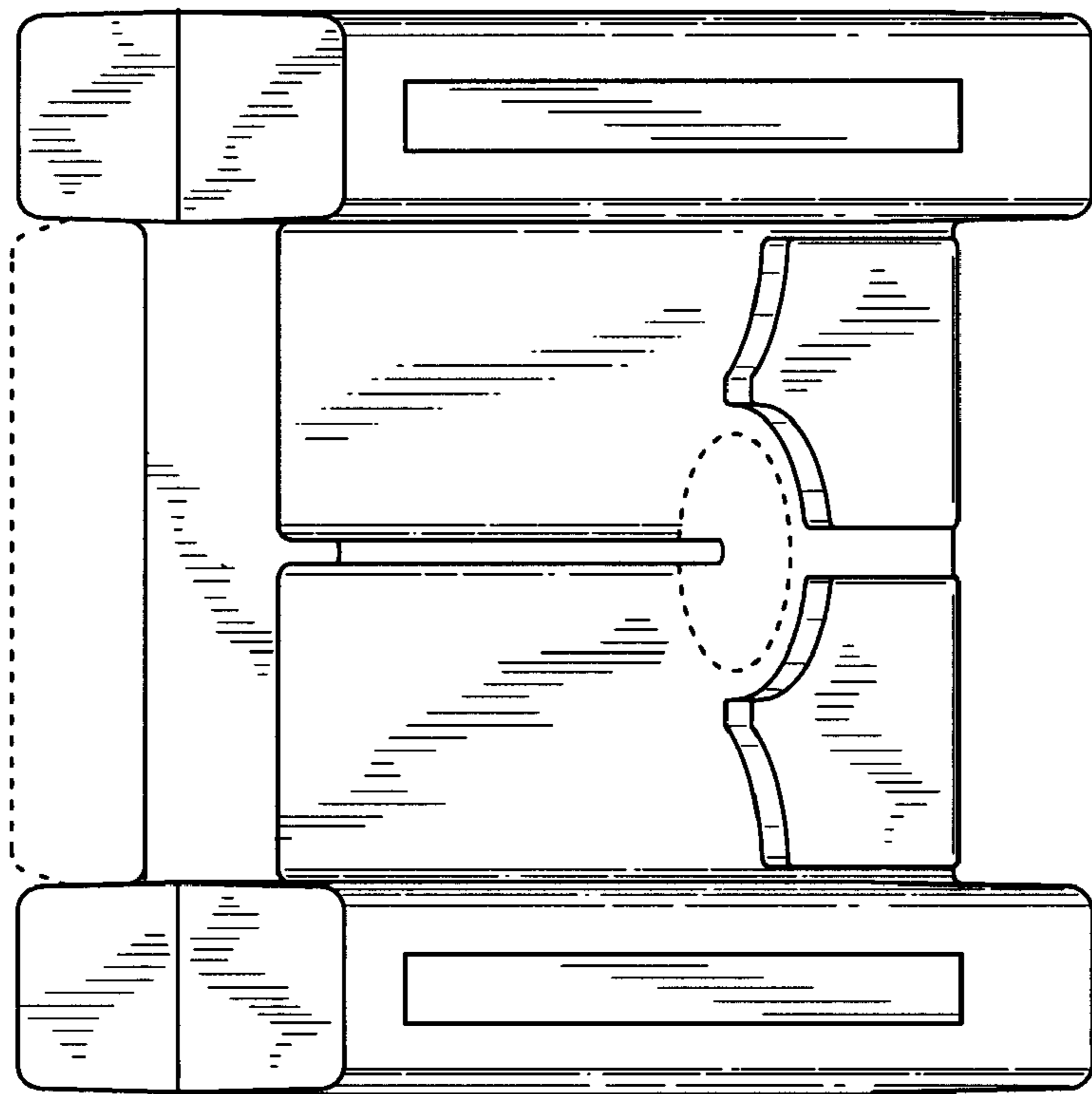


*Fig. 5*





*Fig. 7*



*Fig. 6*