

US00D569980S

(12) **United States Design Patent** (10) **Patent No.:** **US D569,980 S**  
**Bass** (45) **Date of Patent:** **\*\* May 27, 2008**

(54) **TRACTION-DECOMPRESSION TABLE**

(75) Inventor: **David B. Bass**, 9737 NW. 5 Pl.,  
Parkland, FL (US) 33067

(73) Assignee: **David B. Bass**, Parkland, FL (US)

(\*\*) Term: **14 Years**

(21) Appl. No.: **29/251,370**

(22) Filed: **Jan. 6, 2006**

(51) **LOC (8) Cl.** ..... **24-01**

(52) **U.S. Cl.** ..... **D24/183**

(58) **Field of Classification Search** ..... D6/360;  
D15/199; D24/183; 5/617, 618, 620, 943;  
128/845; 601/24, 39; 602/32, 33; 606/237,  
606/240-245

See application file for complete search history.

(56) **References Cited**

**U.S. PATENT DOCUMENTS**

D248,406 S *	7/1978	Hodge	.....	D24/183
4,582,311 A *	4/1986	Steffensmeier	.....	5/614
5,423,861 A *	6/1995	Kelley	.....	606/241
5,922,011 A *	7/1999	Cuccia	.....	606/241
6,638,299 B2 *	10/2003	Cox	.....	606/243
2002/0120293 A1 *	8/2002	Peetros et al.	.....	606/241
2006/0047237 A1 *	3/2006	Pruett et al.	.....	602/16

\* cited by examiner

*Primary Examiner*—Sandra Snapp

*Assistant Examiner*—Patricia Palasik

(74) *Attorney, Agent, or Firm*—Pablo Meles; Akerman  
Senterfitt

(57) **CLAIM**

The ornamental design for a traction-decompression table,  
as shown and described.

**DESCRIPTION**

FIG. 1 is a perspective view of my ornamental design;

FIG. 2 is a left elevational view of the ornamental design of  
FIG. 1;

FIG. 3 is a right elevational view of the ornamental design  
of FIG. 1;

FIG. 4 is a front elevational view of the ornamental design  
of FIG. 1;

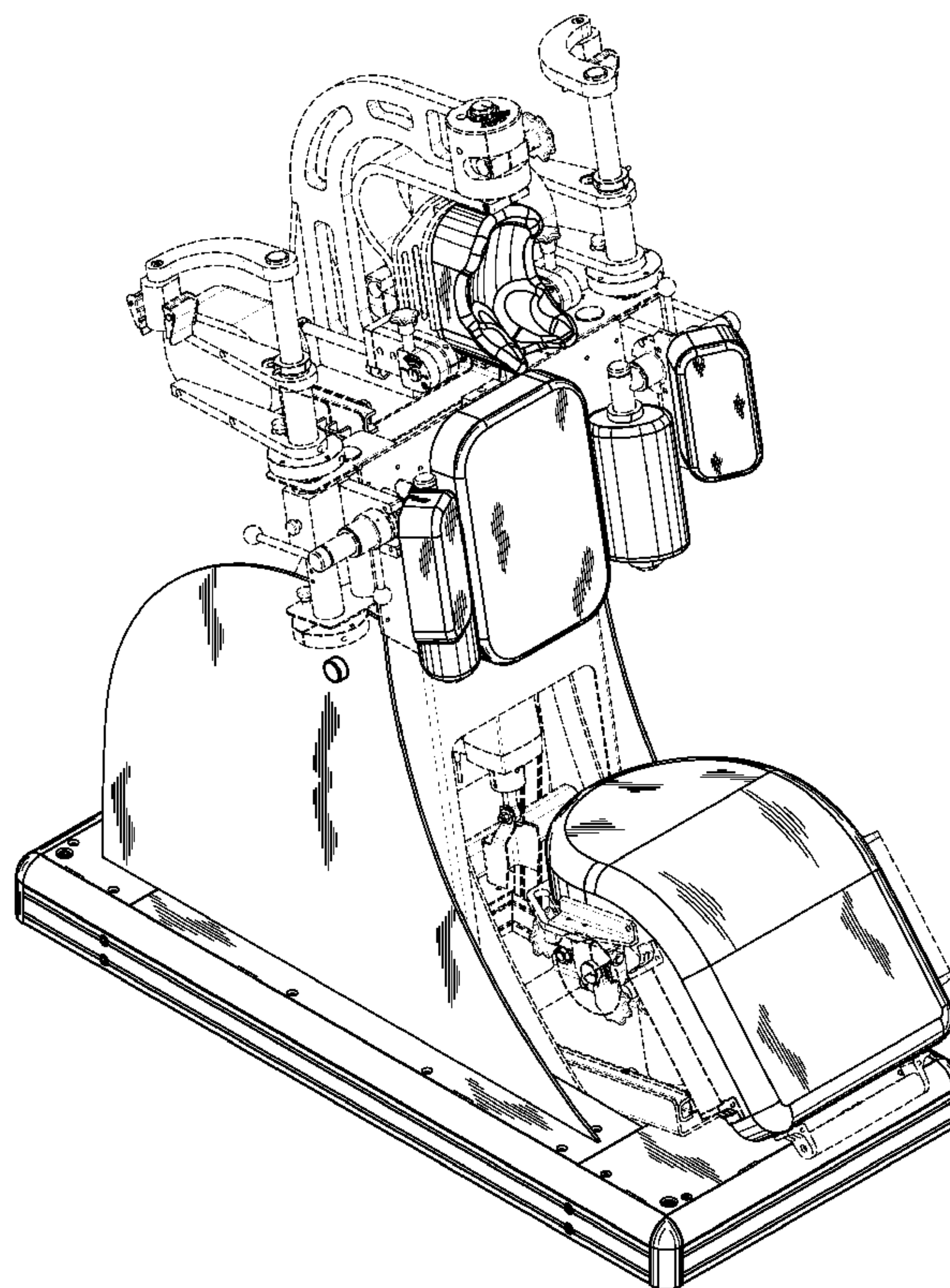
FIG. 5 is a rear elevational view of the ornamental design of  
FIG. 1;

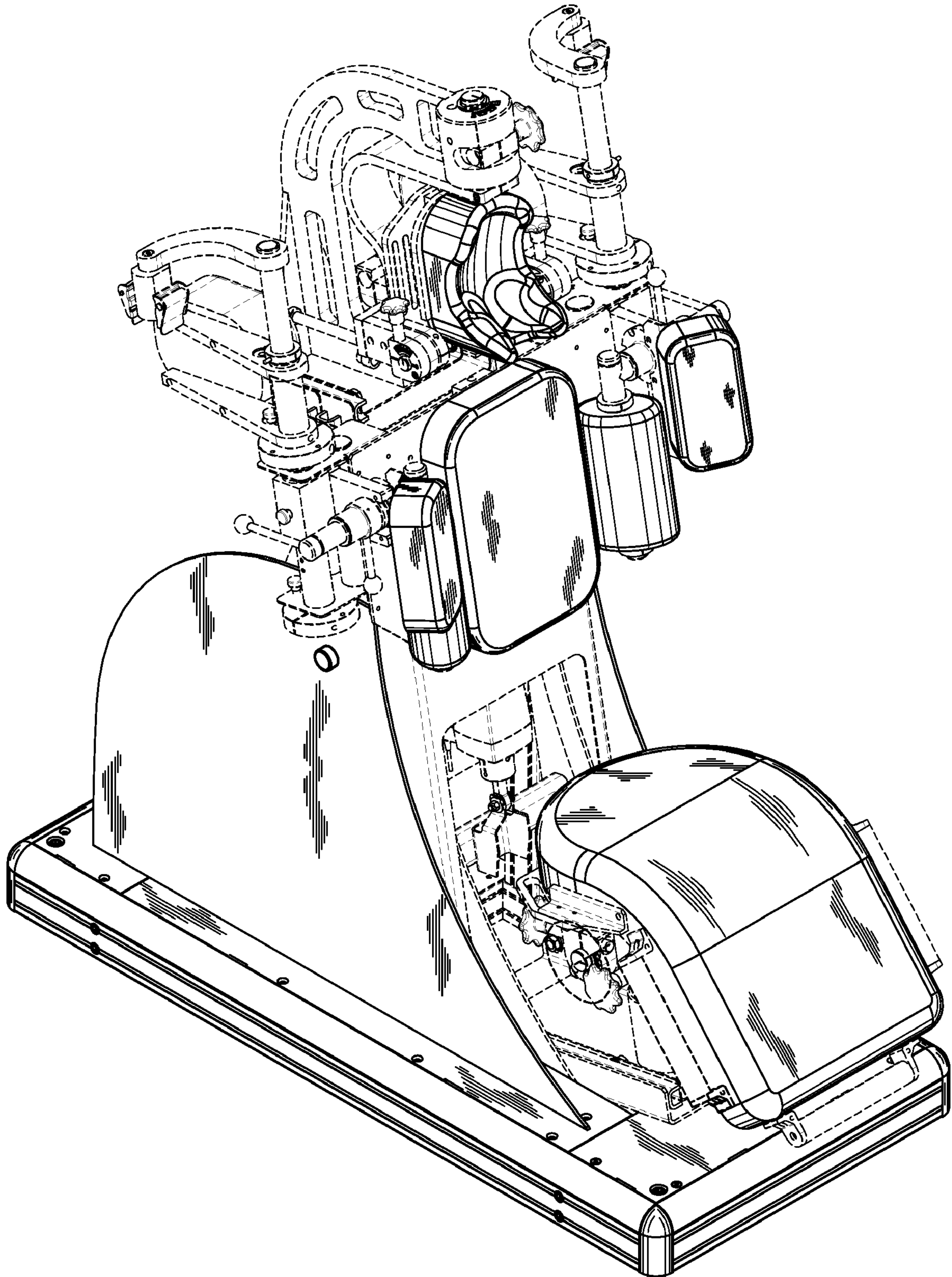
FIG. 6 is a top plan view of the ornamental design of FIG.  
1; and,

FIG. 7 is a bottom plan view of the ornamental design of  
FIG. 1.

The broken lines showing of the traction-decompression  
table is included for the purpose of illustrating portions of  
the traction-decompression table and forms no part of the  
claimed design.

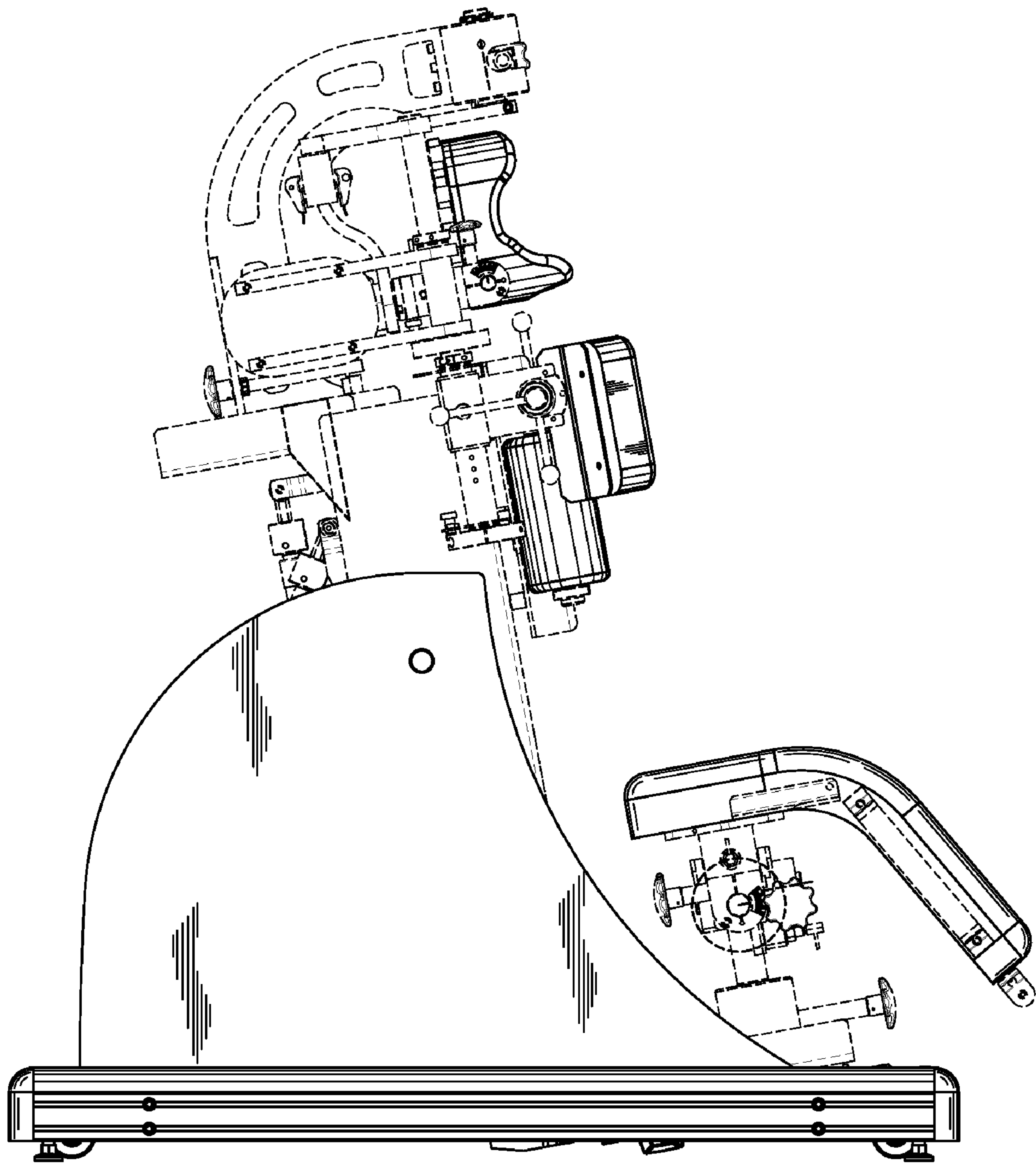
**1 Claim, 7 Drawing Sheets**



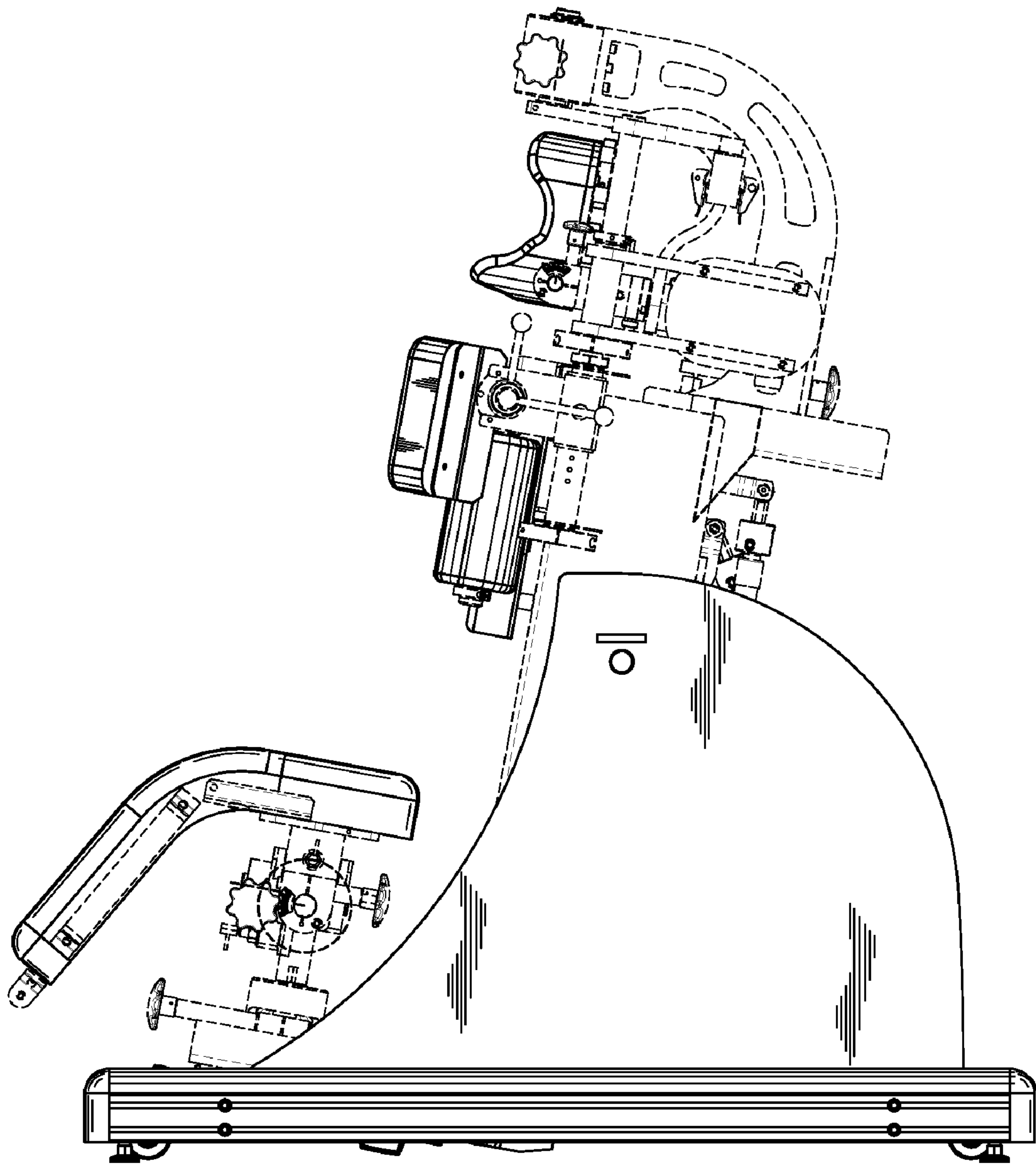


*FIG. 1*

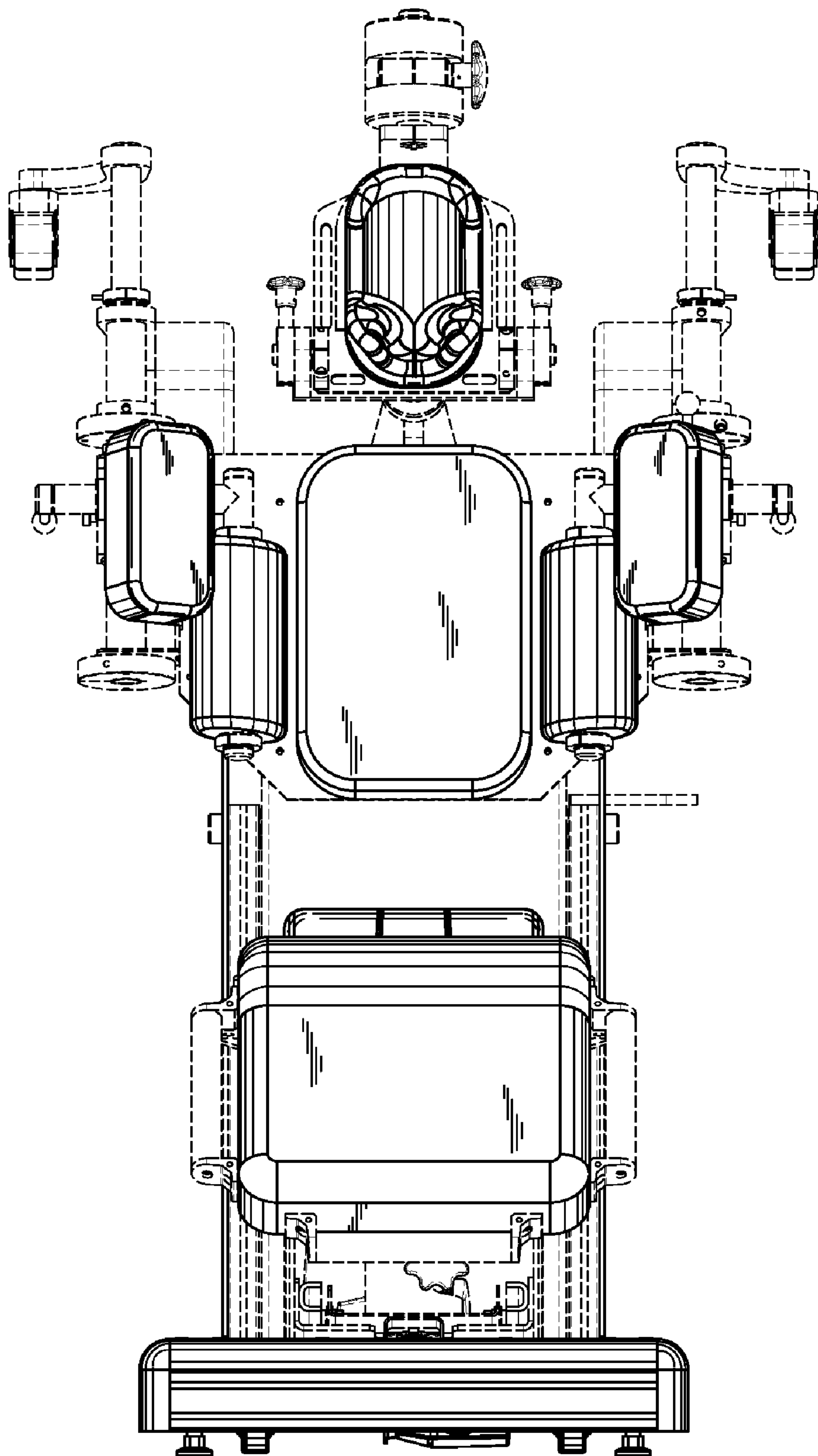




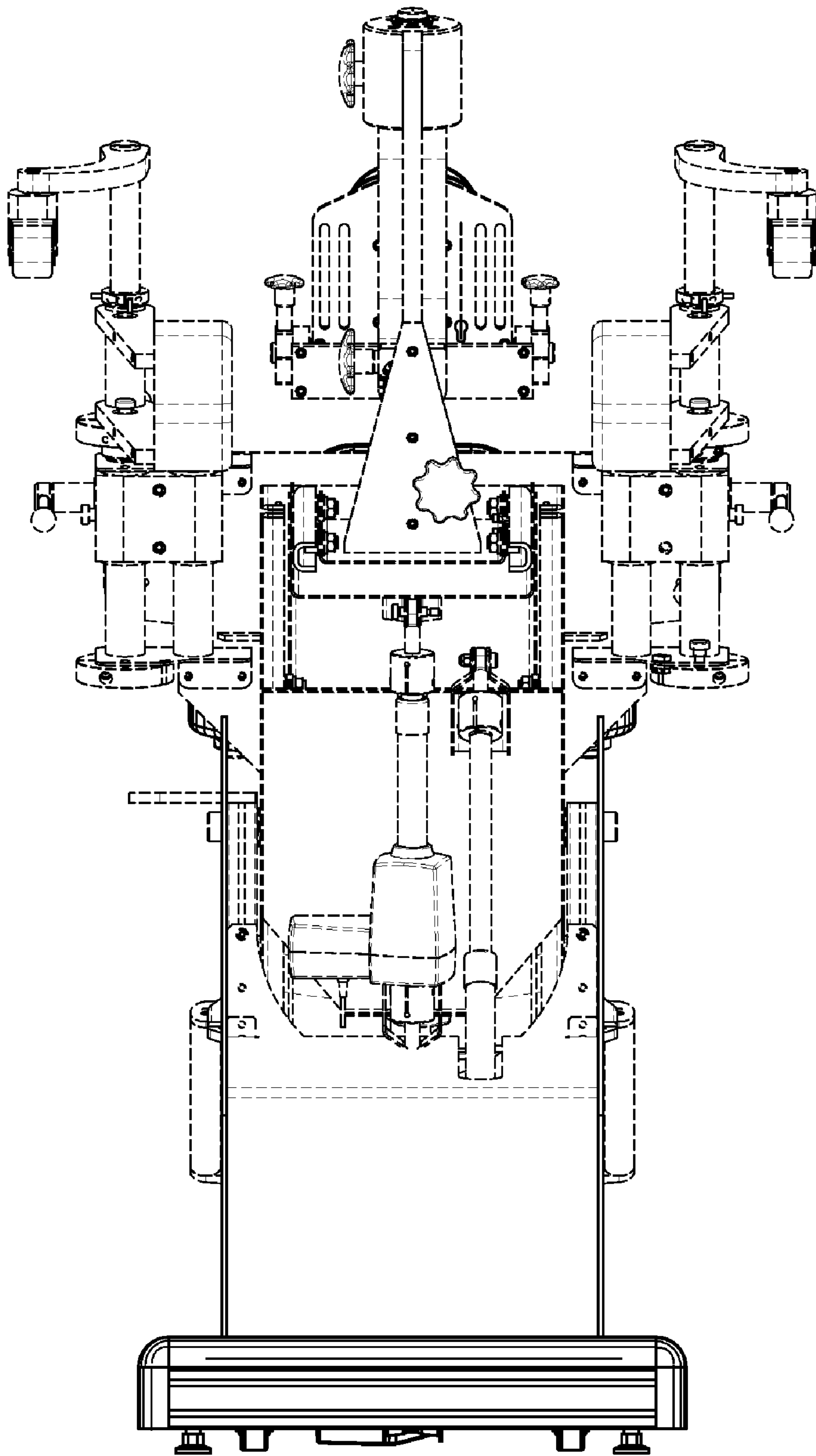
*FIG. 2*



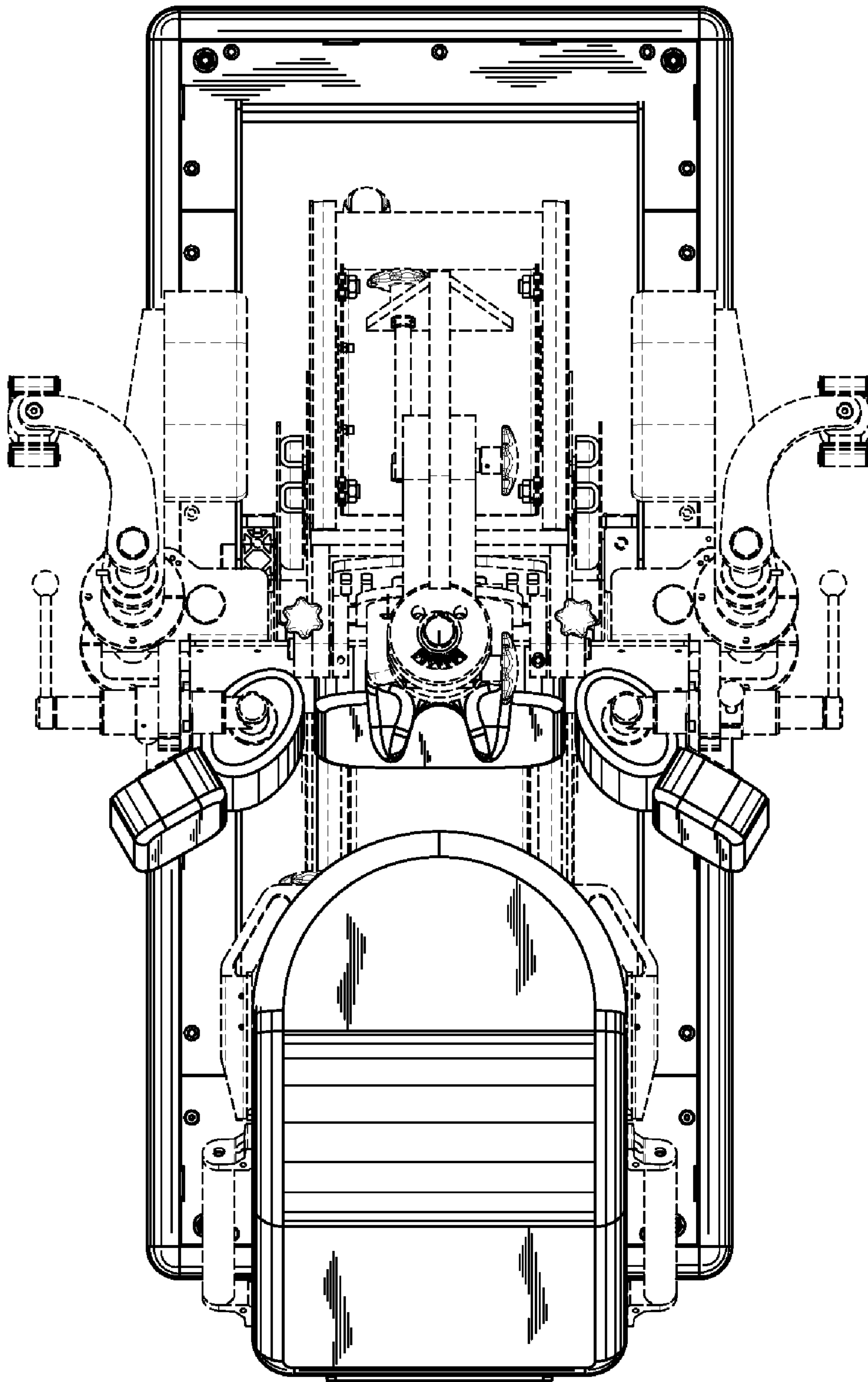
*FIG. 3*



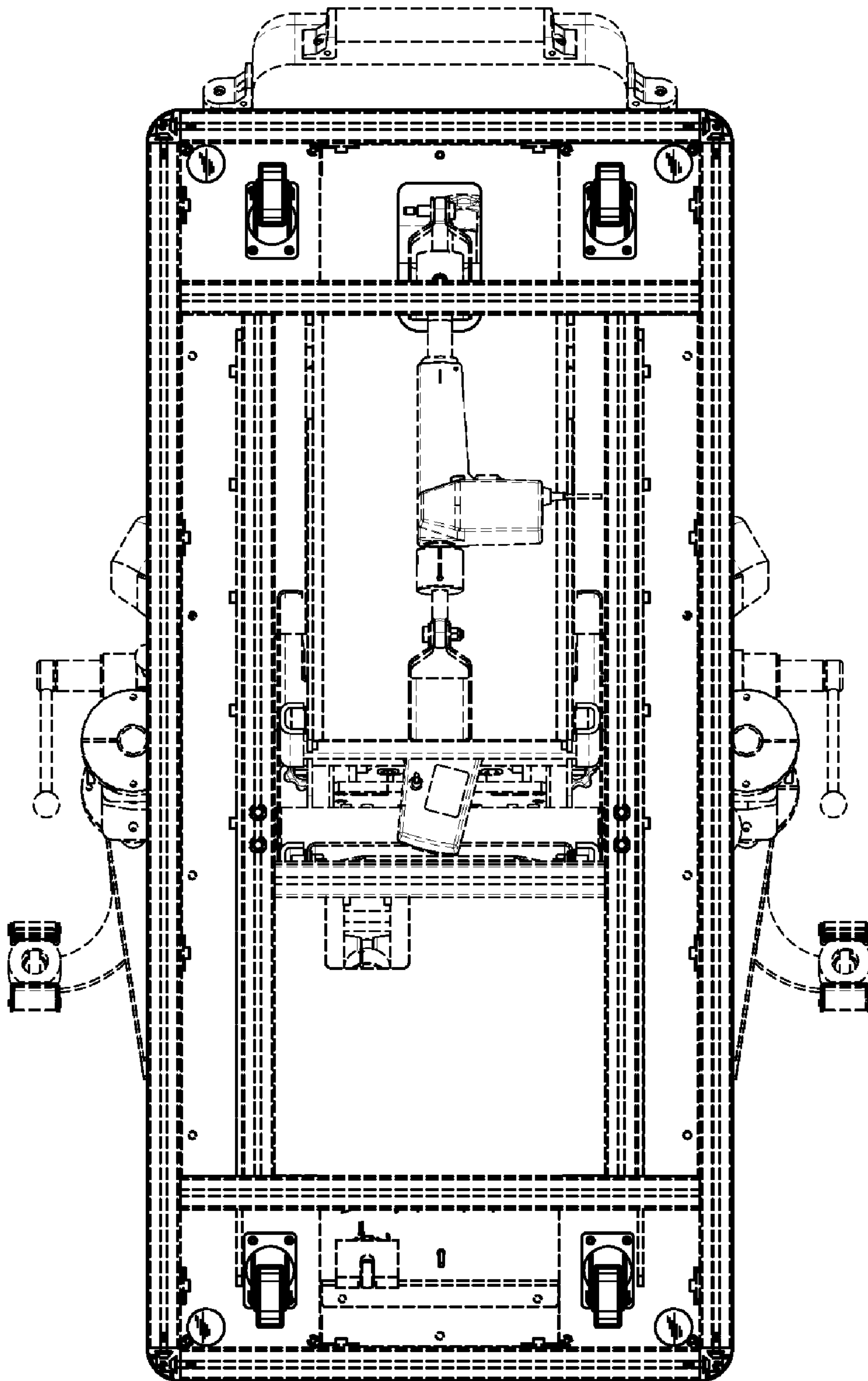
*FIG. 4*



*FIG. 5*



*FIG. 6*



*FIG. 7*