



US00D569979S

(12) **United States Design Patent** (10) **Patent No.:** **US D569,979 S**
Eda et al. (45) **Date of Patent:** **** May 27, 2008**

(54) **SPHYGMOMANOMETER**

(75) Inventors: **Kenji Eda**, Osaka (JP); **Tadashi Koike**,
Kyoto (JP); **Takefumi Nakanishi**,
Kyoto (JP); **Masashi Fukura**, Kyoto
(JP); **Chiaki Murata**, Osaka (JP)

(73) Assignee: **Omron Healthcare Co., Ltd.**, Kyoto
(JP)

(**) Term: **14 Years**

(21) Appl. No.: **29/267,771**

(22) Filed: **Oct. 23, 2006**

Related U.S. Application Data

(62) Division of application No. 29/217,862, filed on Nov.
24, 2004, now Pat. No. Des. 537,944.

(30) **Foreign Application Priority Data**

May 25, 2004 (JP) 2004-015367
May 25, 2004 (JP) 2004-015368
May 25, 2004 (JP) 2004-015369
May 25, 2004 (JP) 2004-015370
May 25, 2004 (JP) 2004-015371
May 25, 2004 (JP) 2004-015372
May 25, 2004 (JP) 2004-015373

(51) **LOC (8) Cl.** **24-02**

(52) **U.S. Cl.** **D24/165**

(58) **Field of Classification Search** D24/165-169,
D24/129, 186; 600/480, 485, 500, 502, 503,
600/490-496, 499; 128/900

See application file for complete search history.

(56) **References Cited**

U.S. PATENT DOCUMENTS

D267,038 S * 11/1982 Koshino D24/166
4,407,777 A * 10/1983 Wilkinson et al. 422/46
D310,120 S * 8/1990 Wickham et al. D24/186
D319,876 S * 9/1991 Kida et al. D24/165
D320,661 S * 10/1991 Sone D24/169

D348,104 S * 6/1994 Olsen D24/167
5,692,512 A * 12/1997 Flachslaender 600/490
D403,770 S 1/1999 Ozaki et al.
6,095,983 A * 8/2000 Wawro 600/485
D446,306 S 8/2001 Ochi et al.
D463,561 S * 9/2002 Fukatsu et al. D24/165
D473,308 S 4/2003 Nakanishi
D473,651 S 4/2003 Inagaki et al.
D489,722 S 5/2004 Matuschek
D490,516 S 5/2004 Takahashi et al.
D496,104 S 9/2004 Eda et al.
D508,565 S 8/2005 Nephin et al.
D509,591 S 9/2005 Tomioka et al.
D533,279 S 12/2006 Kobayashi et al.

* cited by examiner

Primary Examiner—Louis S Zarfaz

Assistant Examiner—Anhdao Doan

(74) *Attorney, Agent, or Firm*—Harness, Dickey, & Pierce
P.L.C.

(57) **CLAIM**

The ornamental design for a sphygmomanometer, as shown
and described.

DESCRIPTION

FIG. 1 is a perspective view of a sphygmomanometer
showing our new design;

FIG. 2 is a top view thereof, showing it as viewed from the
front;

FIG. 3 is a rear elevational view thereof;

FIG. 4 is a top view thereof, showing it as viewed from the
top;

FIG. 5 is a bottom plan view thereof;

FIG. 6 is a left side elevational view thereof; and,

FIG. 7 is a front elevational view thereof.

The alternating dot dash lines immediately adjacent the
shaded areas represent the boundaries of the claim, and all
other broken lines depict environmental subject matter.
None of the broken lines form a part of the claimed design.

1 Claim, 7 Drawing Sheets

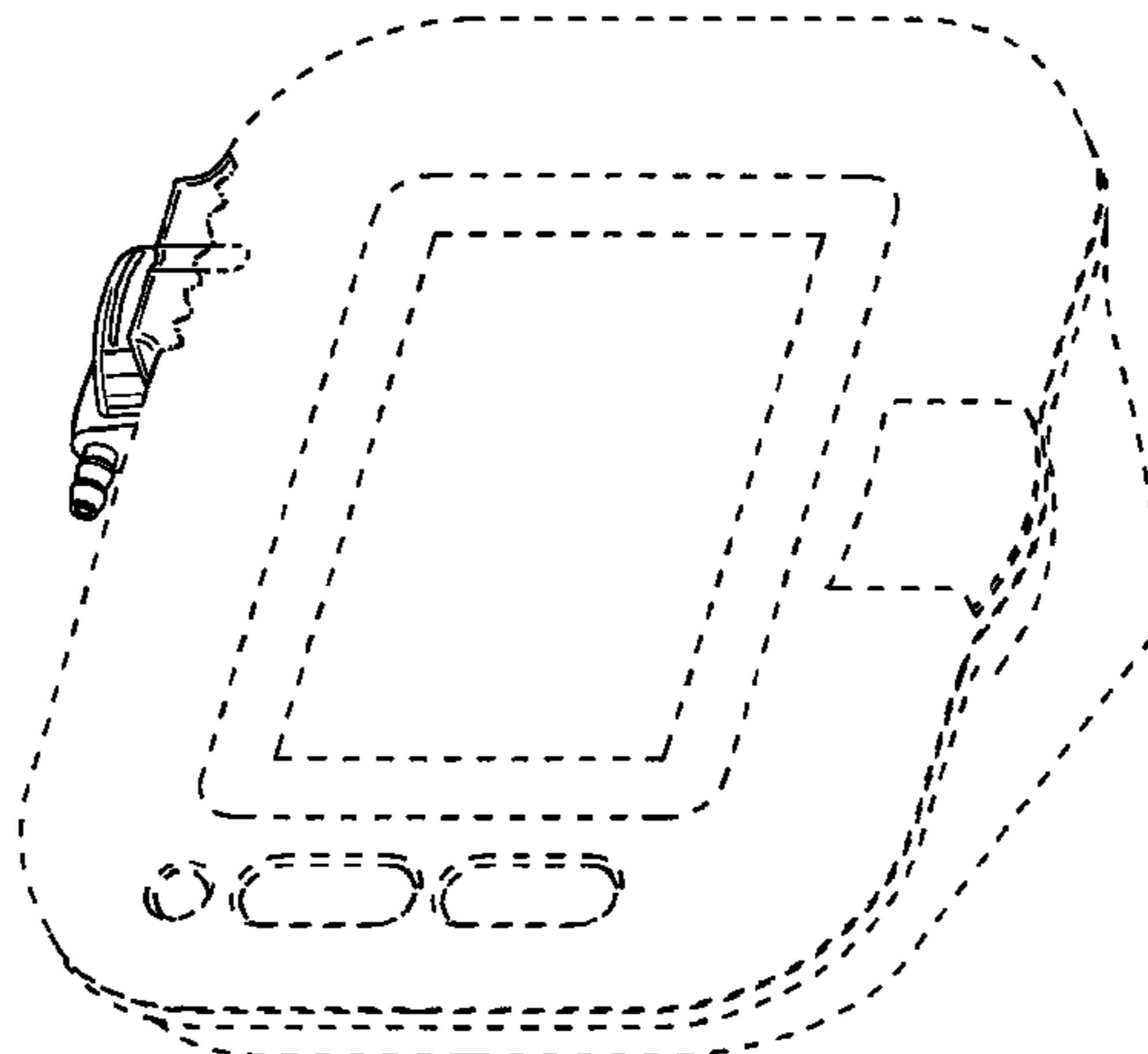


Fig. 1

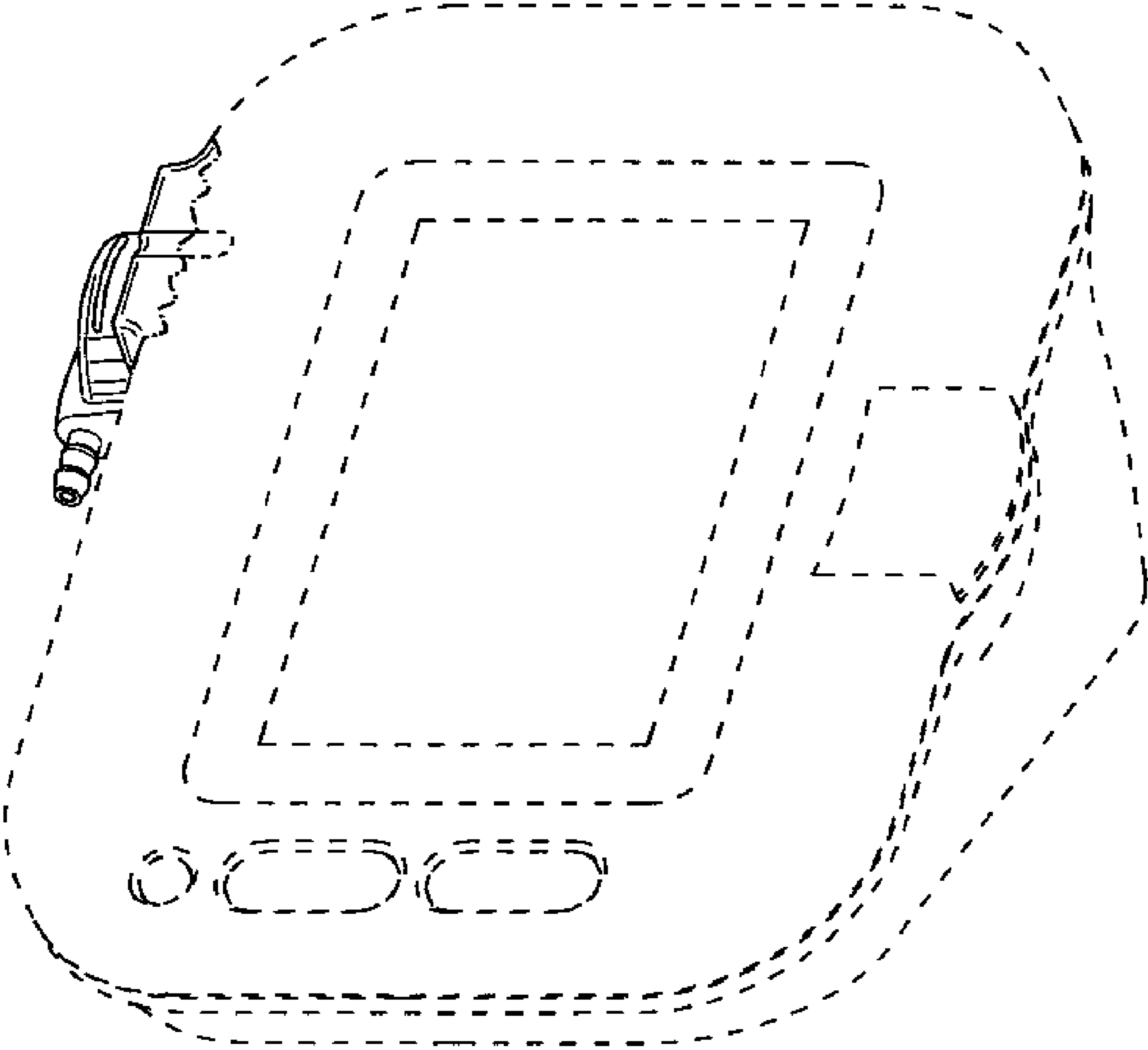


Fig. 2

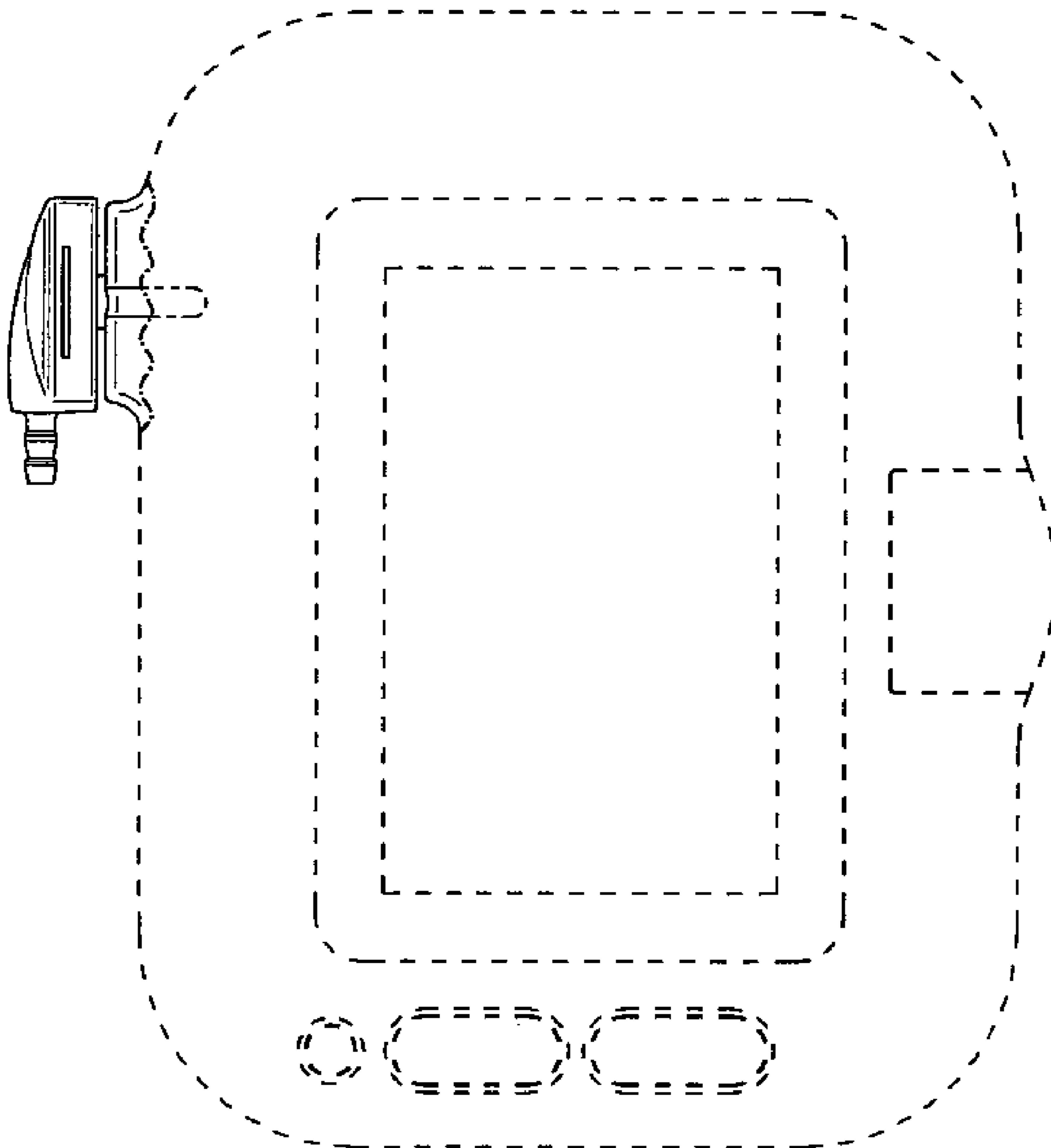


Fig. 3

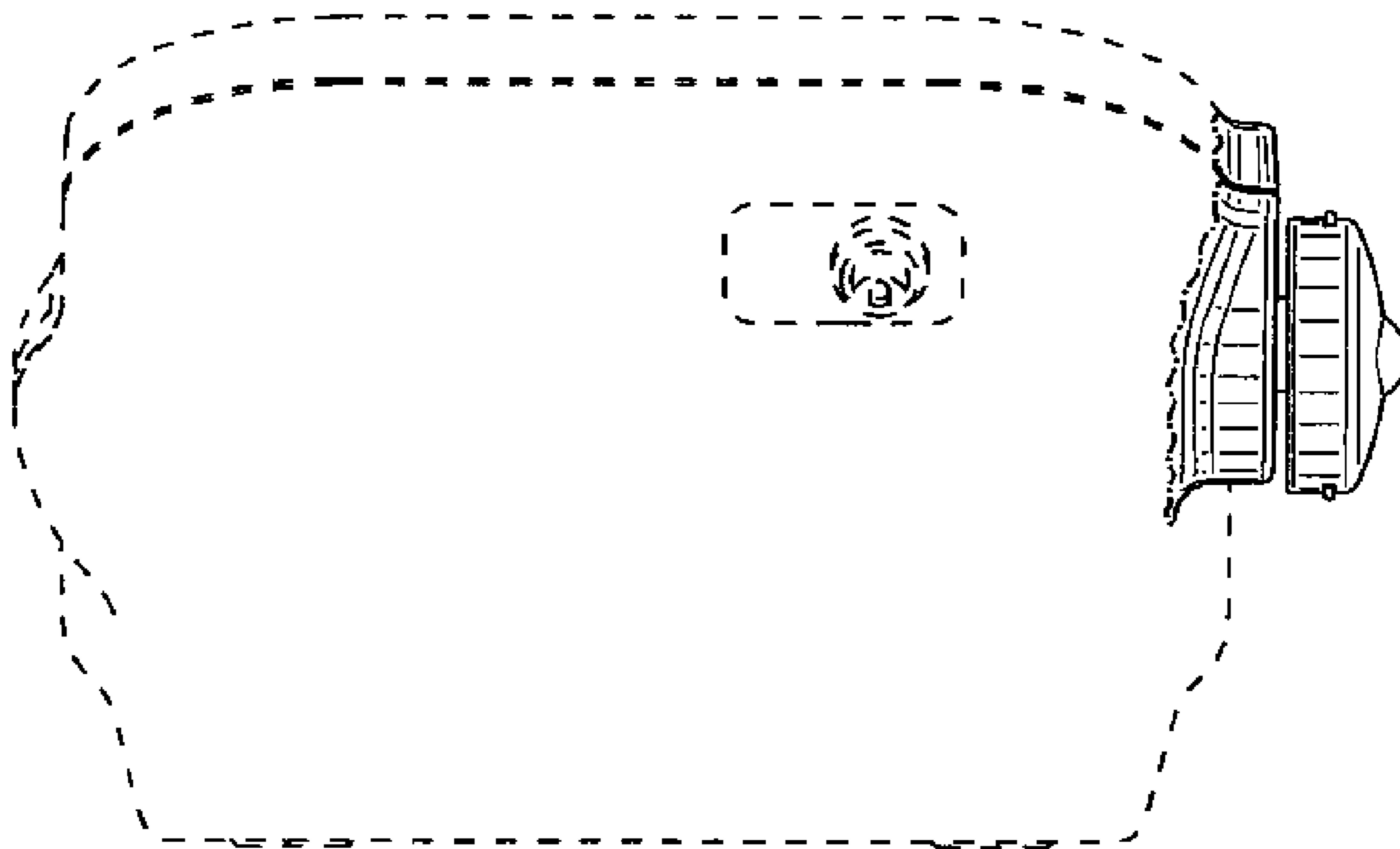


Fig. 4

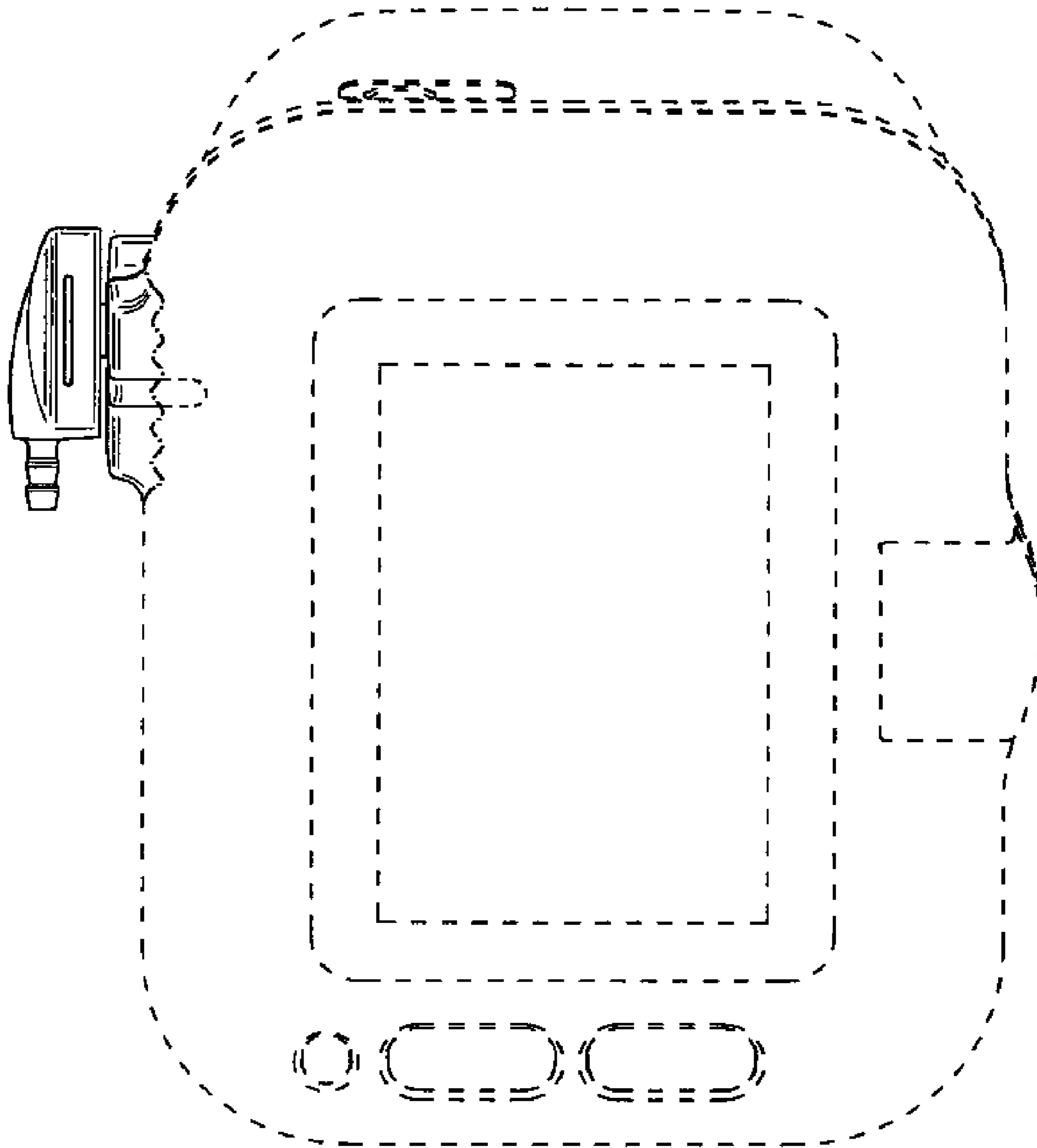


Fig. 5

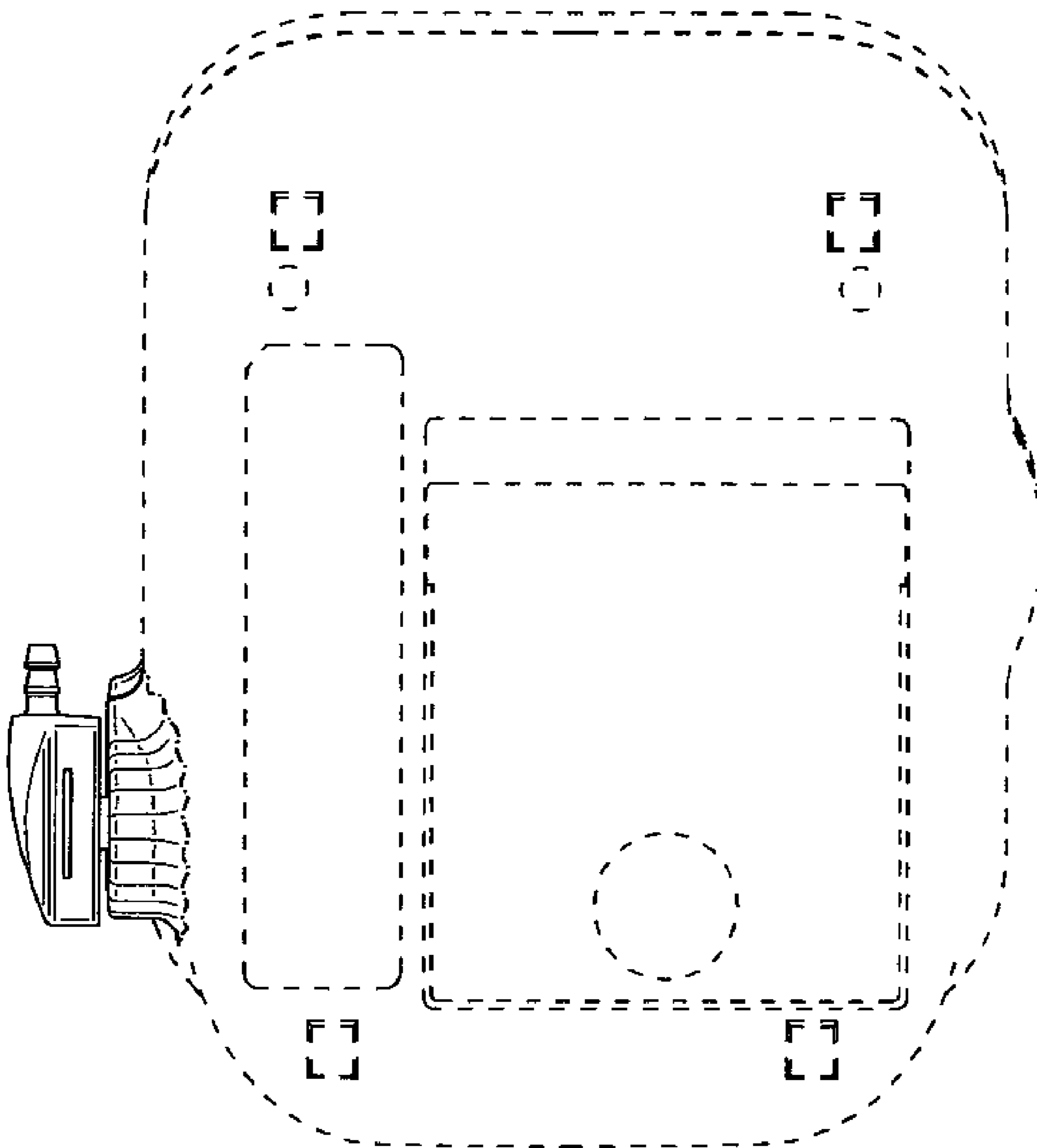


Fig. 6

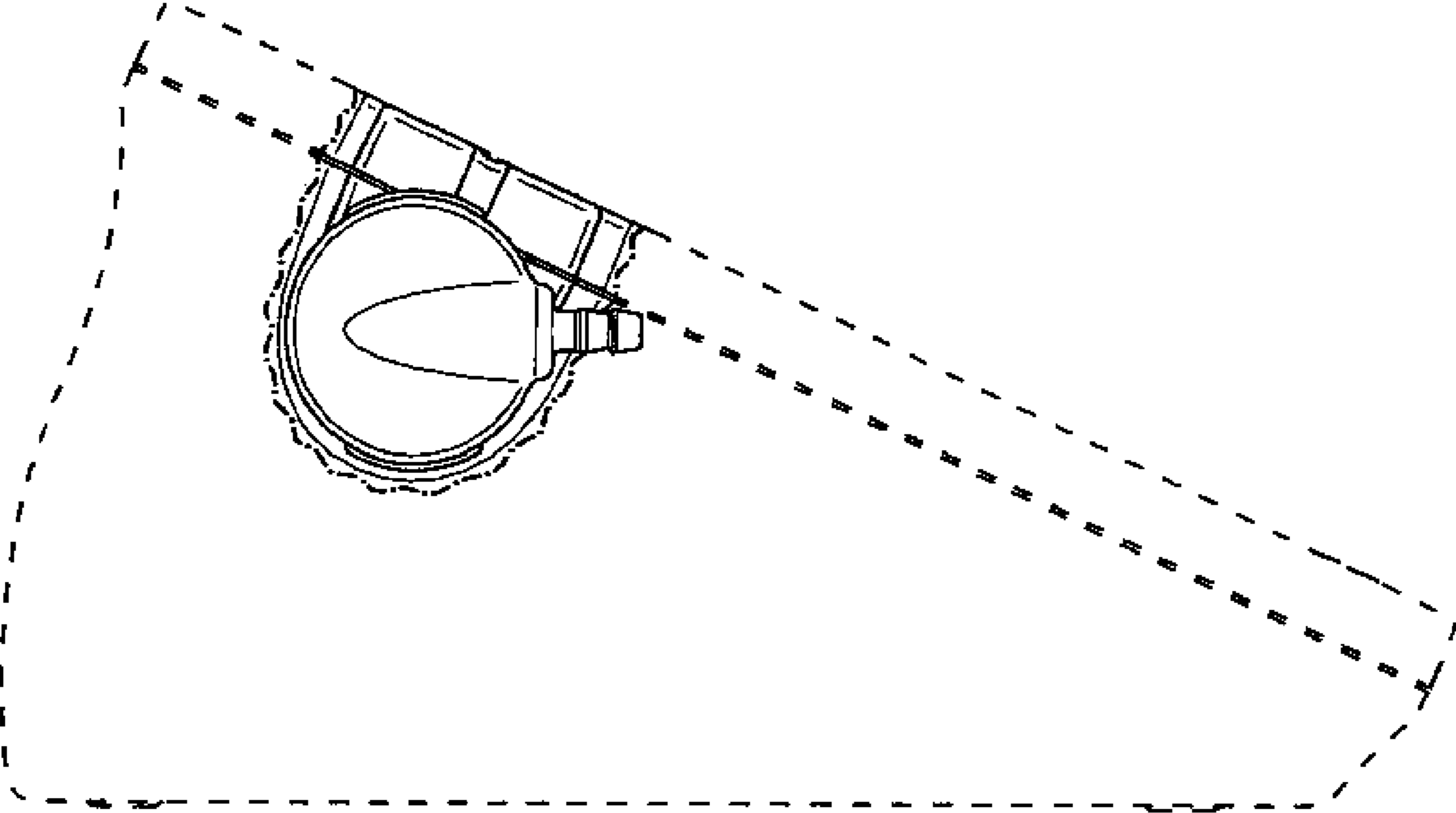


Fig. 7

