

US00D569978S

(12) **United States Design Patent** (10) **Patent No.:** **US D569,978 S**
Eda et al. (45) **Date of Patent:** **** May 27, 2008**

(54) **SPHYGMOMANOMETER**

(75) Inventors: **Kenji Eda**, Osaka (JP); **Tadashi Koike**,
Kyoto (JP); **Takefumi Nakanishi**,
Kyoto (JP); **Masashi Fukura**, Kyoto
(JP); **Chiaki Murata**, Osaka (JP)

(73) Assignee: **Omron Healthcare Co., Ltd.**, Kyoto
(JP)

(**) Term: **14 Years**

(21) Appl. No.: **29/267,770**

(22) Filed: **Oct. 23, 2006**

Related U.S. Application Data

(62) Division of application No. 29/217,862, filed on Nov.
24, 2004, now Pat. No. Des. 537,944.

(30) **Foreign Application Priority Data**

May 25, 2004 (JP) 2004-015367
May 25, 2004 (JP) 2004-015368
May 25, 2004 (JP) 2004-015369
May 25, 2004 (JP) 2004-015370
May 25, 2004 (JP) 2004-015371
May 25, 2004 (JP) 2004-015372
May 25, 2004 (JP) 2004-015373

(51) **LOC (8) Cl.** **24-02**

(52) **U.S. Cl.** **D24/165**

(58) **Field of Classification Search** D24/165-169,
D24/129, 186; 600/480, 485, 500, 502, 503,
600/490-496, 499; 128/900

See application file for complete search history.

(56) **References Cited**

U.S. PATENT DOCUMENTS

D267,038 S 11/1982 Koshino
4,407,777 A 10/1983 Wilkinson et al.
D310,120 S 8/1990 Wickham et al.
D319,876 S 9/1991 Kida et al.
D320,661 S 10/1991 Sone

D348,104 S 6/1994 Olsen
5,692,512 A 12/1997 Flachslaender
D403,770 S 1/1999 Ozaki et al.
6,095,983 A 8/2000 Wawro
D446,306 S 8/2001 Ochi et al.
D463,561 S 9/2002 Fukatsu et al.
D473,308 S 4/2003 Nakanishi
D473,651 S * 4/2003 Inagaki et al. D24/165
D489,722 S 5/2004 Matuschek
D490,516 S 5/2004 Takahashi et al.
D496,104 S * 9/2004 Eda et al. D24/165
D508,565 S 8/2005 Nephin et al.
D509,591 S 9/2005 Tomioka et al.
D533,279 S * 12/2006 Kobayashi et al. D24/165

* cited by examiner

Primary Examiner—Louis S Zarfaz

Assistant Examiner—Anhdao Doan

(74) *Attorney, Agent, or Firm*—Harness, Dickey & Pierce
P.L.C.

(57) **CLAIM**

The ornamental design for a sphygmomanometer, as shown
and described.

DESCRIPTION

FIG. 1 is a perspective view of a sphygmomanometer
showing our new design;

FIG. 2 is a front elevational view thereof;

FIG. 3 is a rear elevational view thereof;

FIG. 4 is a top view thereof, showing it as viewed from the
top;

FIG. 5 is a bottom plan view thereof;

FIG. 6 is a right side elevational view thereof;

FIG. 7 is a left side elevational view thereof; and,

FIG. 8 is a top view thereof, showing it as viewed from the
front.

The broken lines are shown in the views for illustrative
purposes only, and form no part of the claimed design.

1 Claim, 4 Drawing Sheets

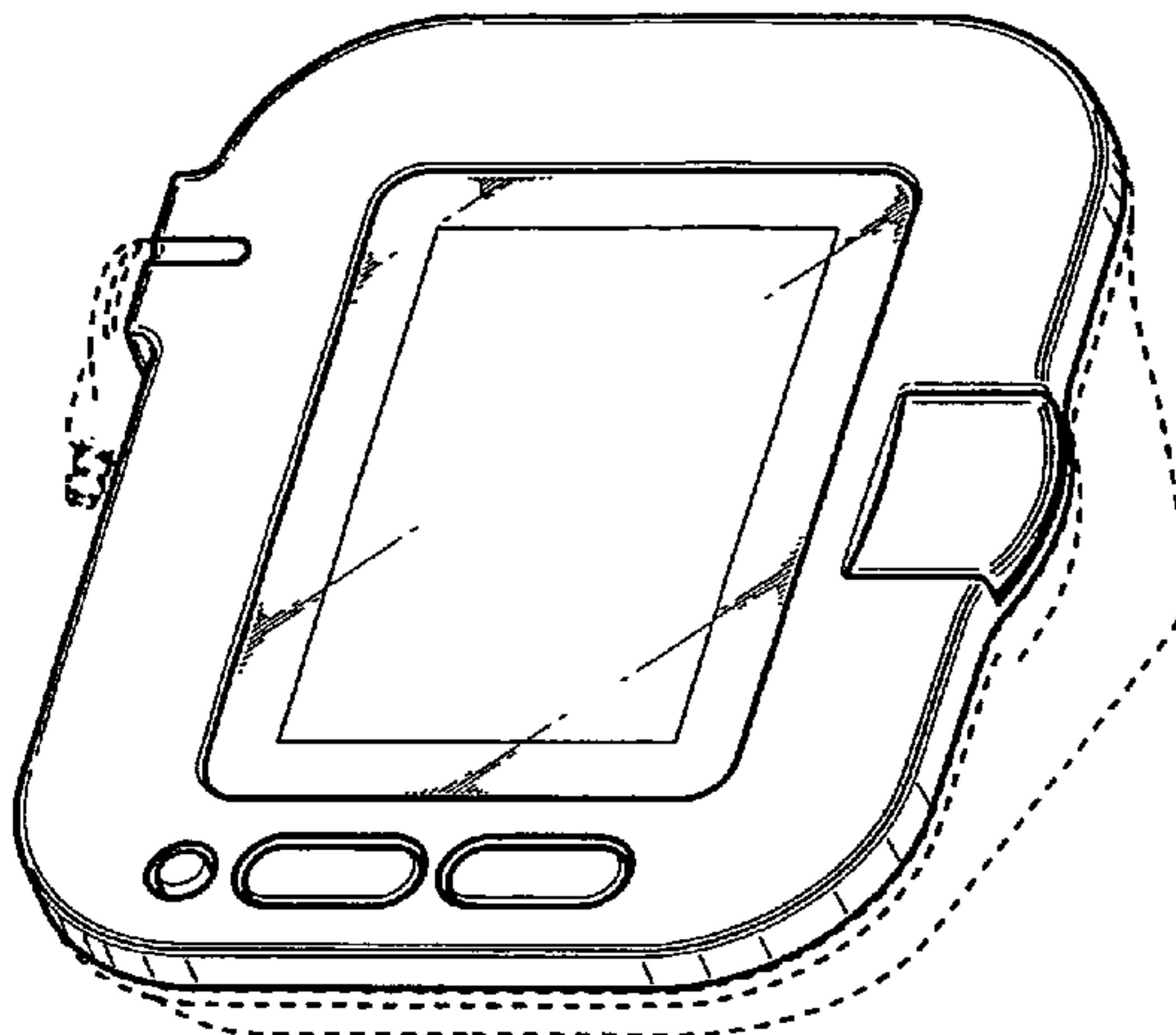


FIG. 1

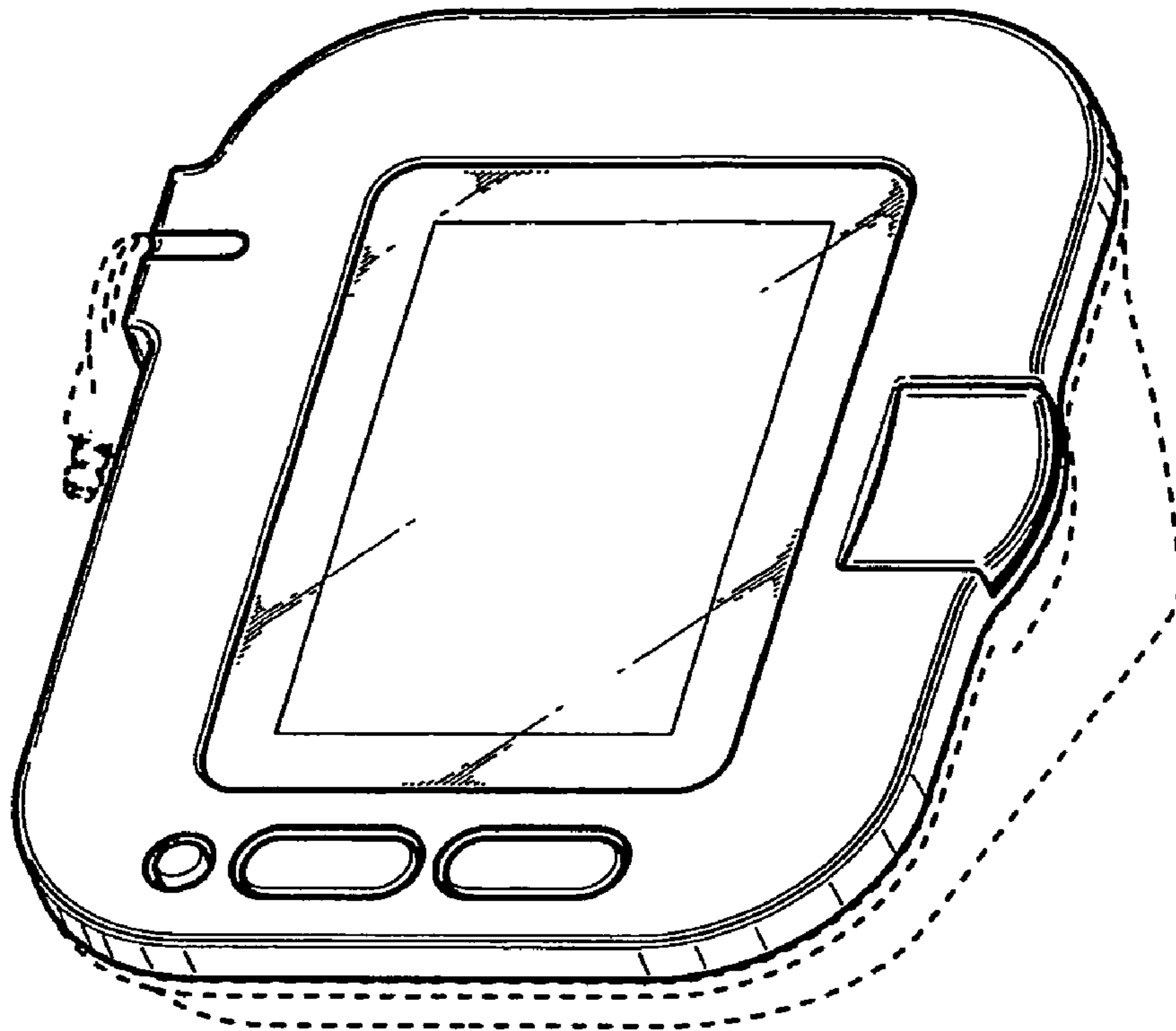


FIG. 2

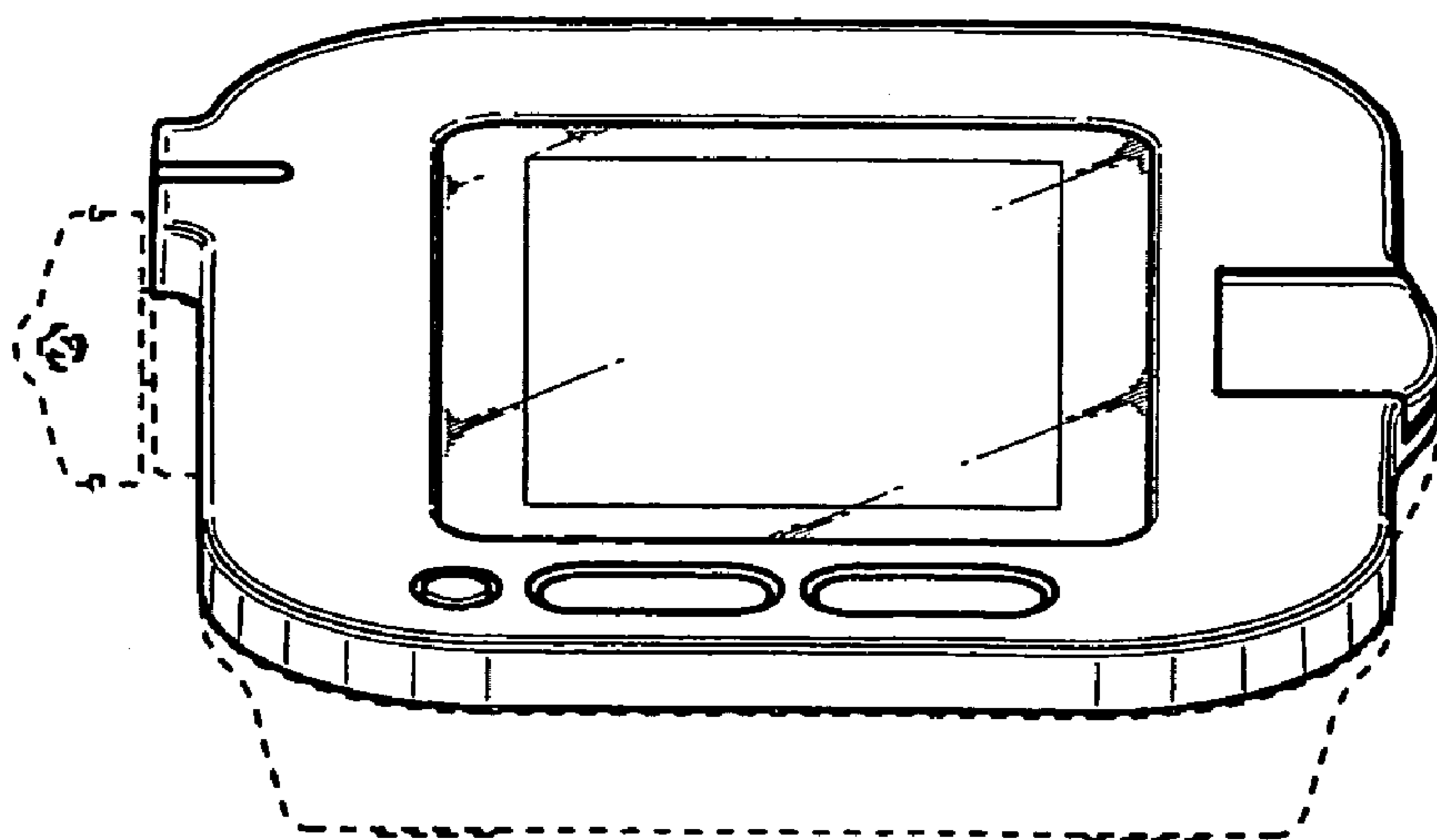


FIG. 3

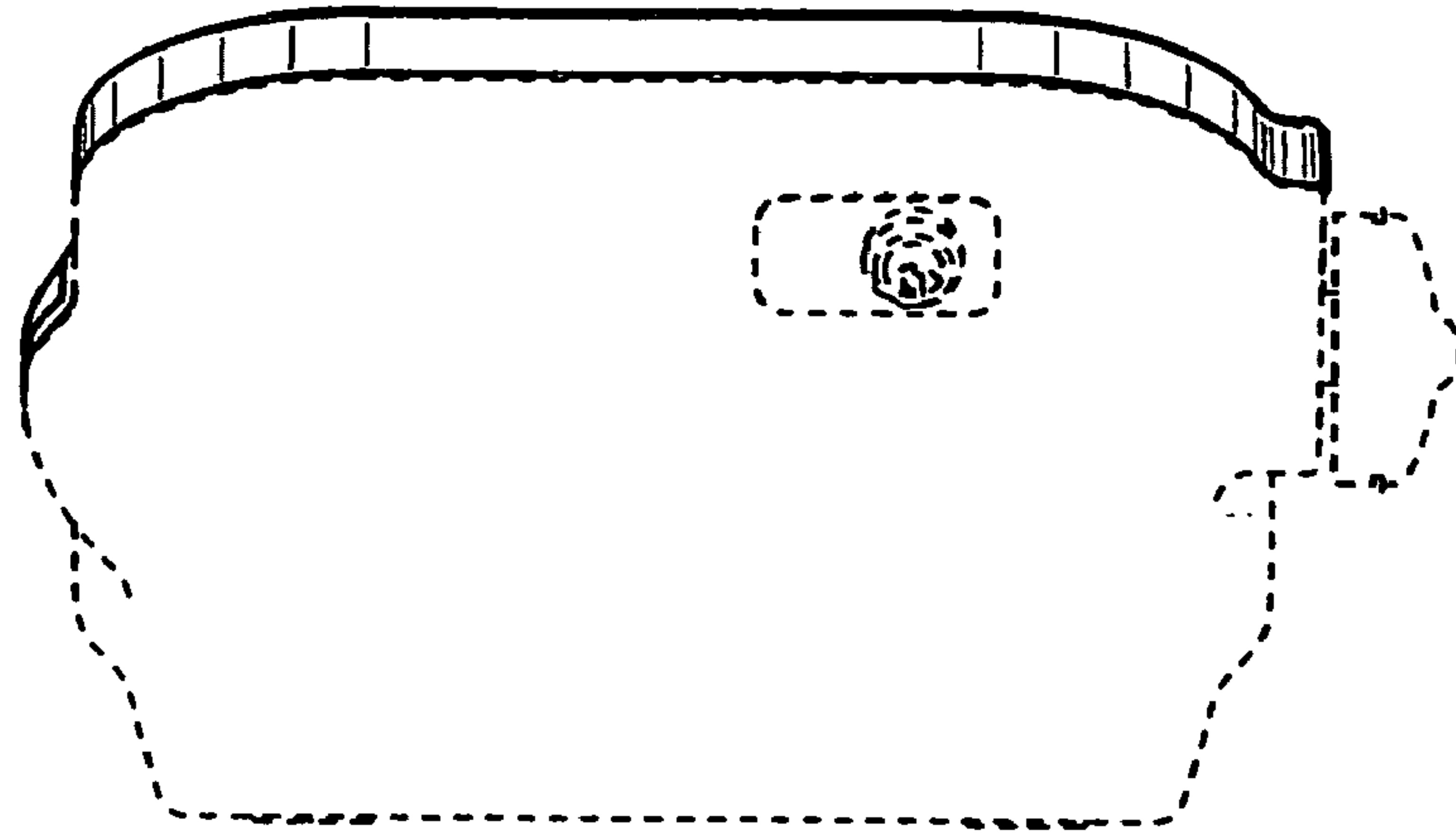


FIG. 4

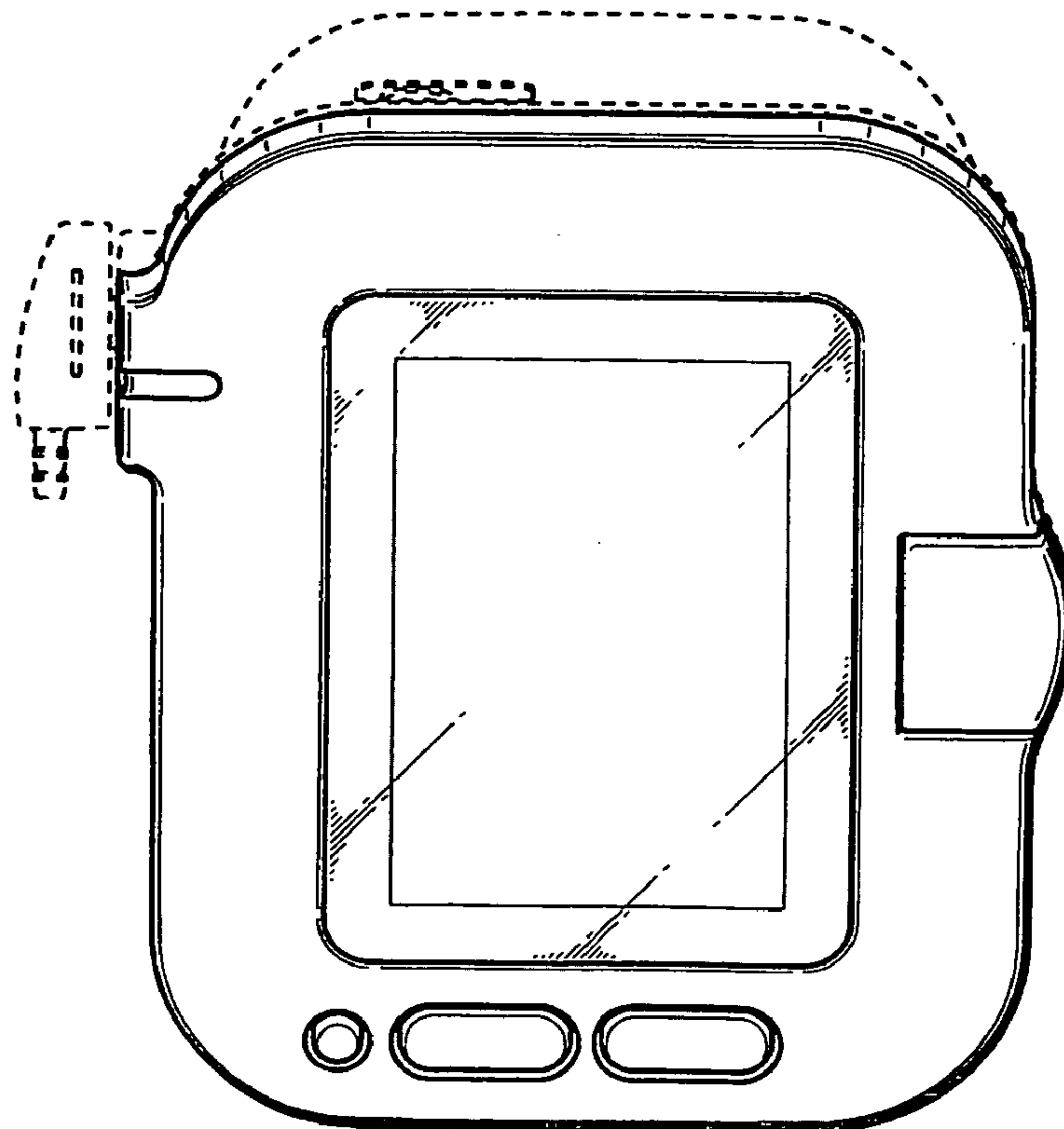


FIG. 5

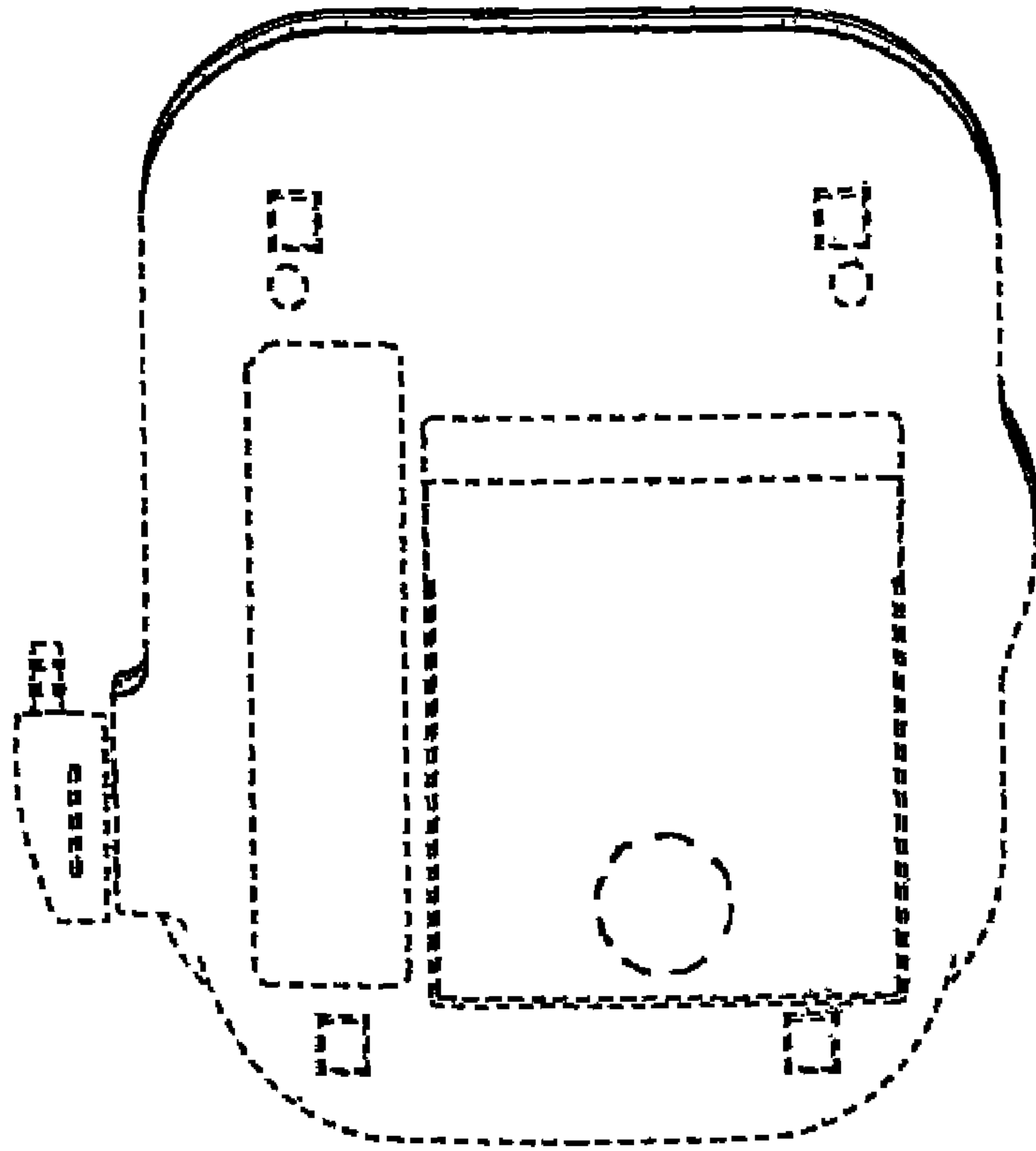


FIG. 6

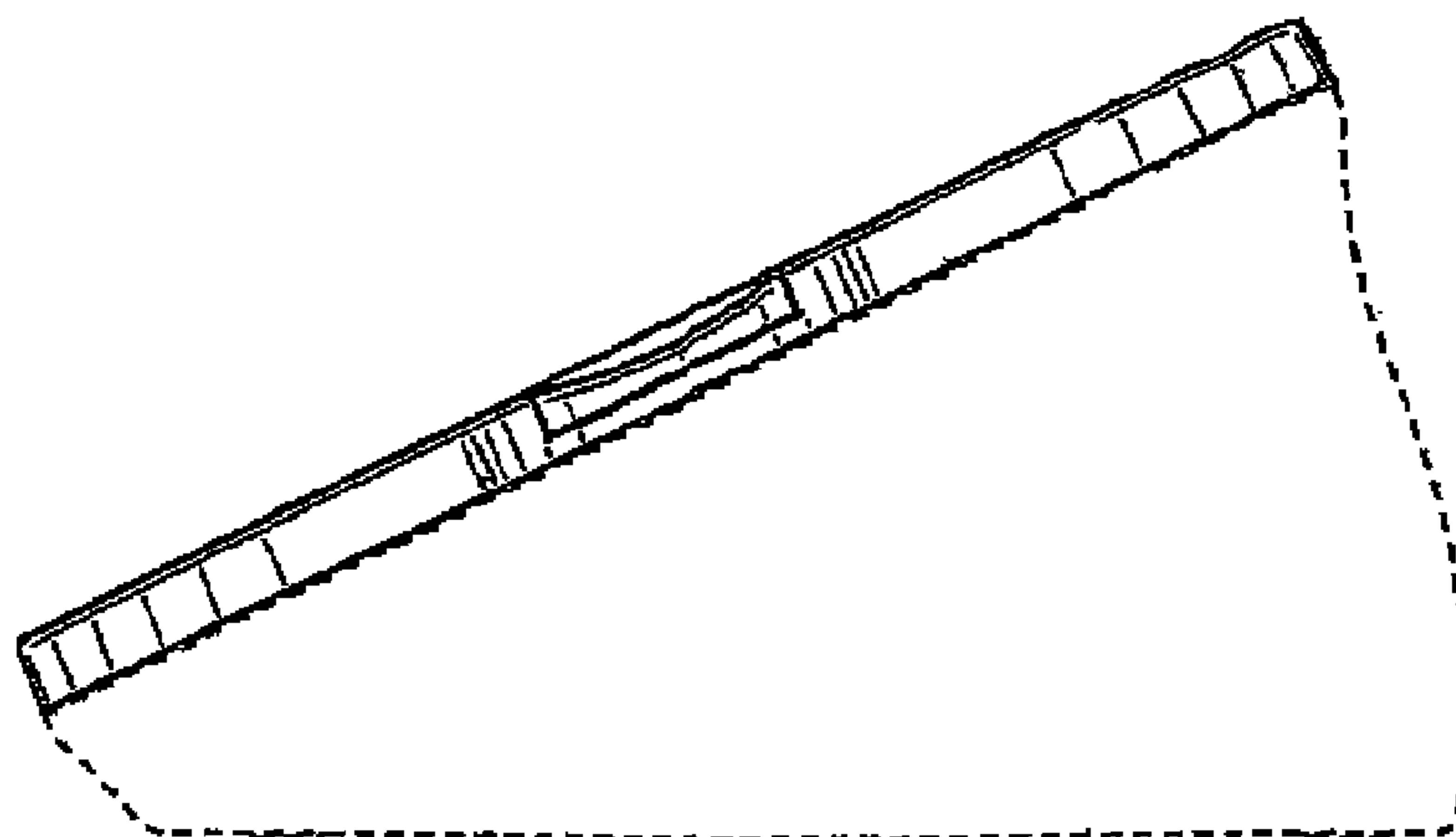


FIG. 7

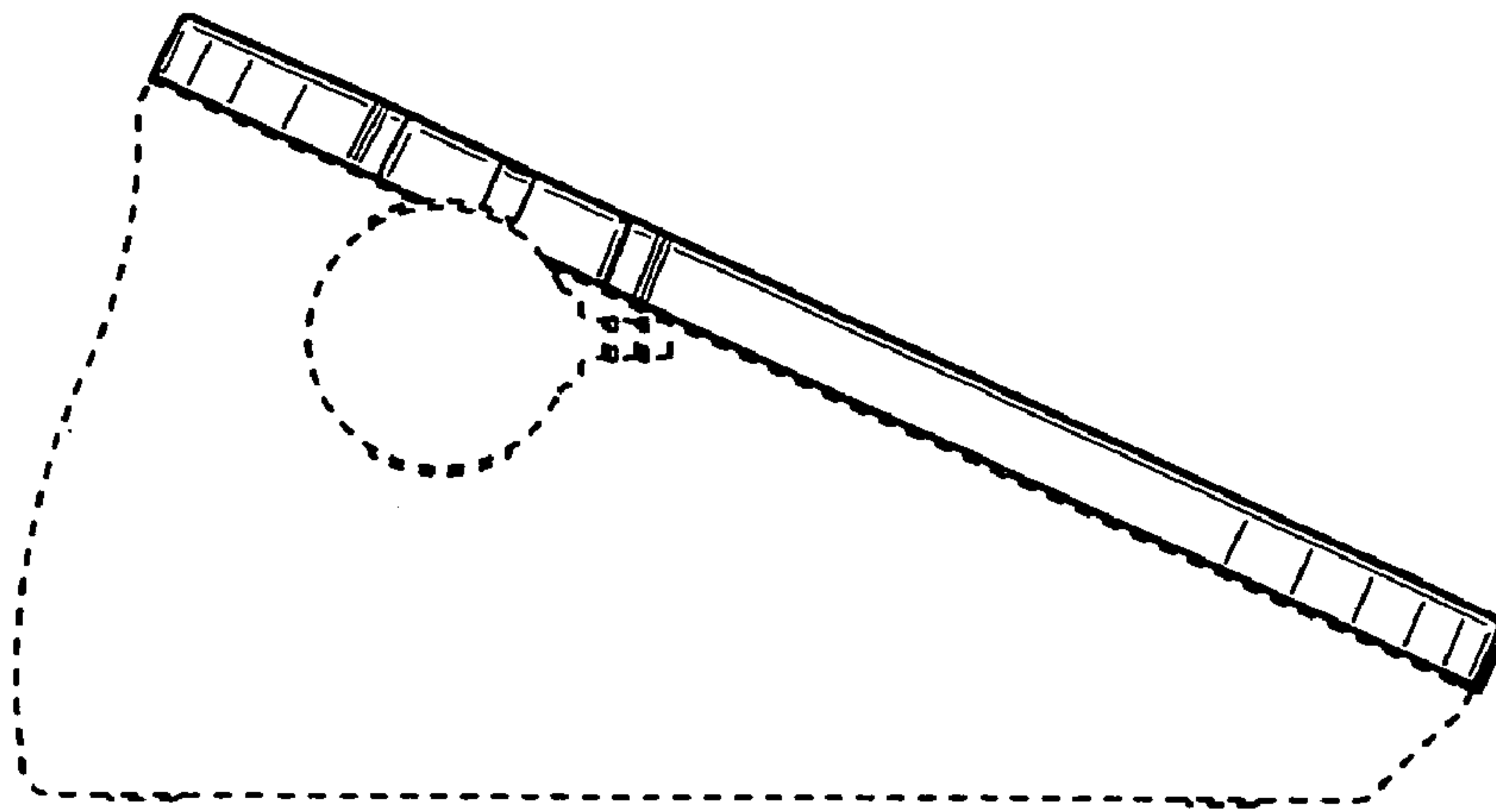


FIG. 8

