



US00D569977S

(12) **United States Design Patent**
Luginbuhl et al.

(10) **Patent No.:** **US D569,977 S**

(45) **Date of Patent:** **** May 27, 2008**

(54) **PATIENT SUPPORT FOR PRONE IMAGING AND INTERVENTION TABLE**

5,619,763 A * 4/1997 Randolph et al. 5/601
RE36,415 E * 11/1999 McKenna 378/4

(75) Inventors: **Christopher Alexander Luginbuhl**,
Toronto (CA); **Cameron Anthony Piron**,
Toronto (CA); **Donald B. Plewes**,
Toronto (CA)

* cited by examiner

(73) Assignee: **Sentinelle Medical Inc.**, Toronto,
Ontario (CA)

Primary Examiner—Louis S Zarfaz
Assistant Examiner—Anhdao Doan

(**) Term: **14 Years**

(74) *Attorney, Agent, or Firm*—Quarles & Brady

(21) Appl. No.: **29/268,396**

(57) **CLAIM**

(22) Filed: **Nov. 6, 2006**

The ornamental design for a patient support for prone imaging and intervention table, as shown and described.

Related U.S. Application Data

DESCRIPTION

(60) Division of application No. 29/220,988, filed on Jan. 7, 2005, now Pat. No. Des. 533,278, which is a continuation-in-part of application No. 10/916,738, filed on Aug. 12, 2004, now abandoned.

FIG. 1 is a rear perspective view of a patient support for prone imaging and intervention table;

(51) **LOC (8) Cl.** **24-01**

FIG. 2 is a front perspective view thereof;

(52) **U.S. Cl.** **D24/159**

FIG. 3 is rear view thereof;

(58) **Field of Classification Search** D24/158-161,
D24/186, 183; 378/4, 19-21, 23, 25, 27,
378/146; 5/601, 621, 622

FIG. 4 is a front view thereof;

See application file for complete search history.

FIG. 5 is a side view thereof; and,

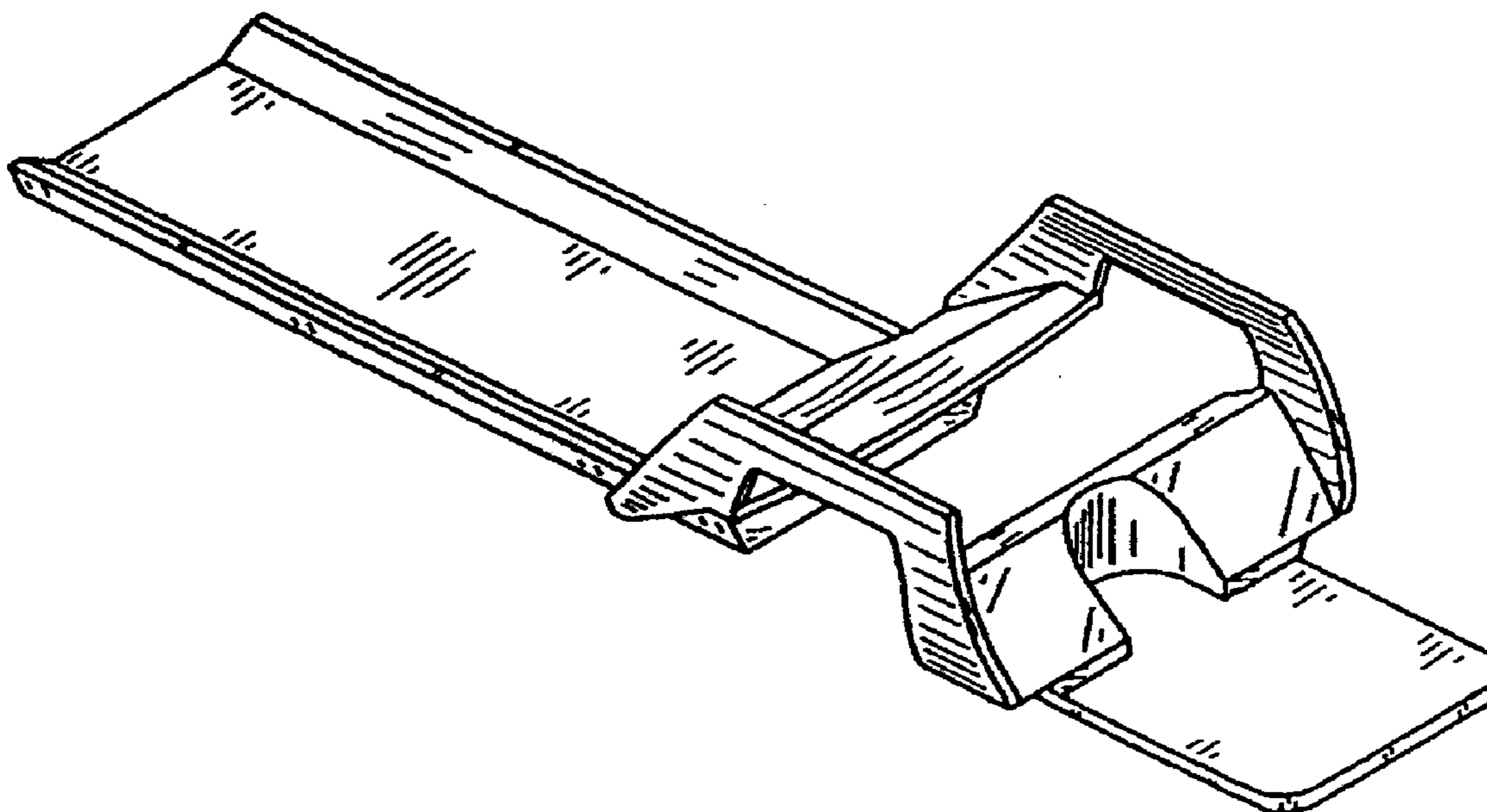
(56) **References Cited**

FIG. 6 is a top plan view thereof.

U.S. PATENT DOCUMENTS

D220,927 S * 6/1971 Mowrer D24/183

1 Claim, 2 Drawing Sheets



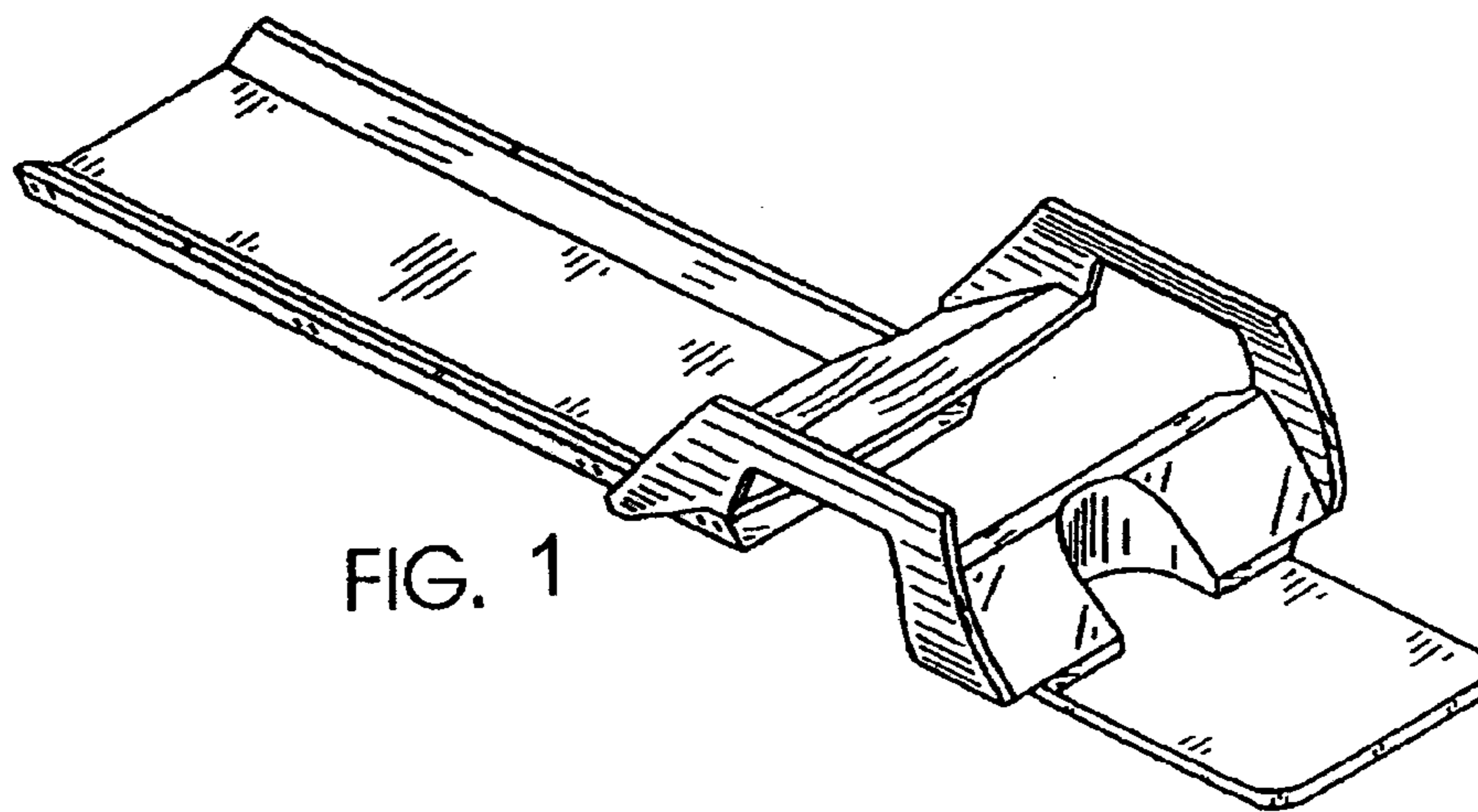


FIG. 1

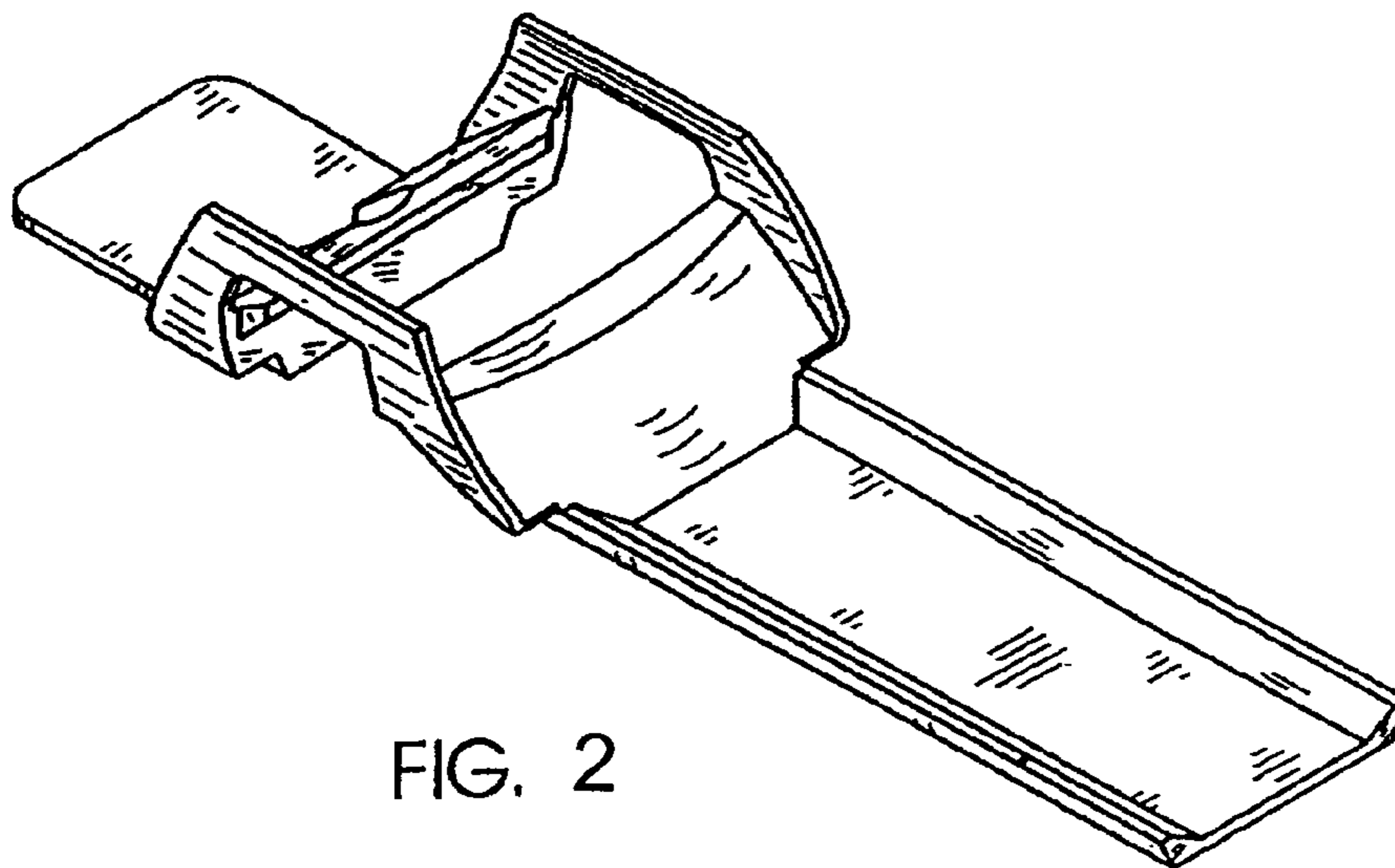


FIG. 2

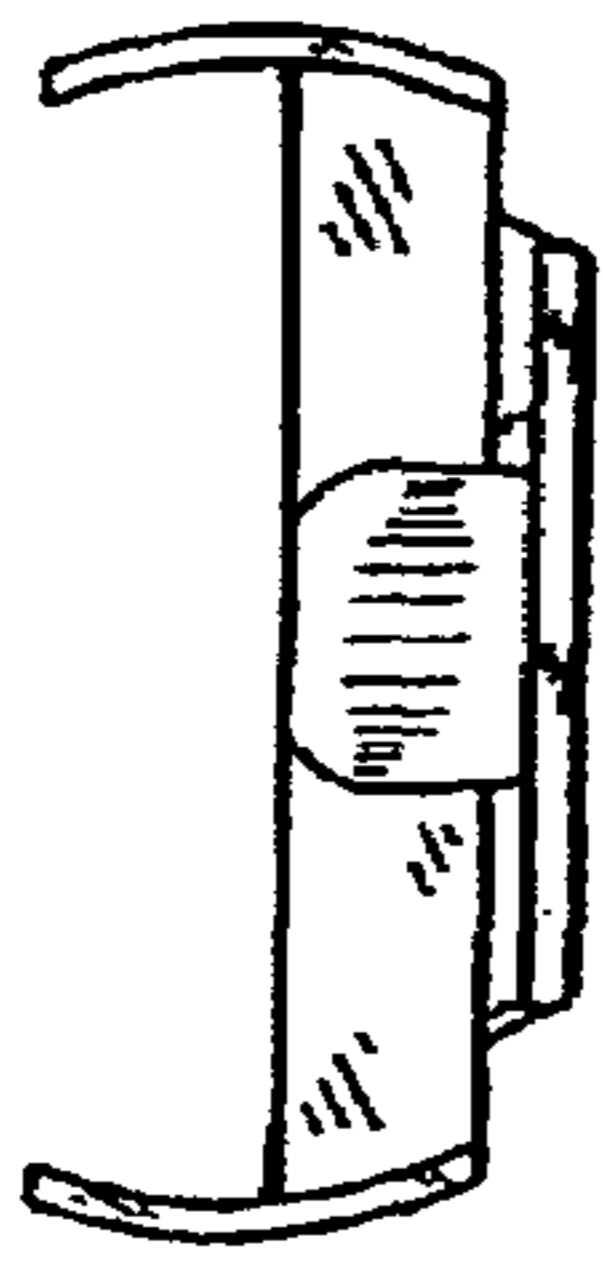


FIG. 3



FIG. 4

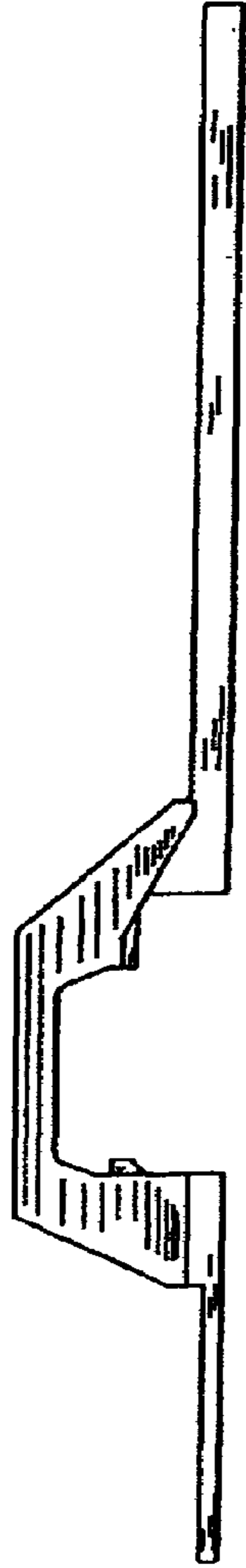


FIG. 5

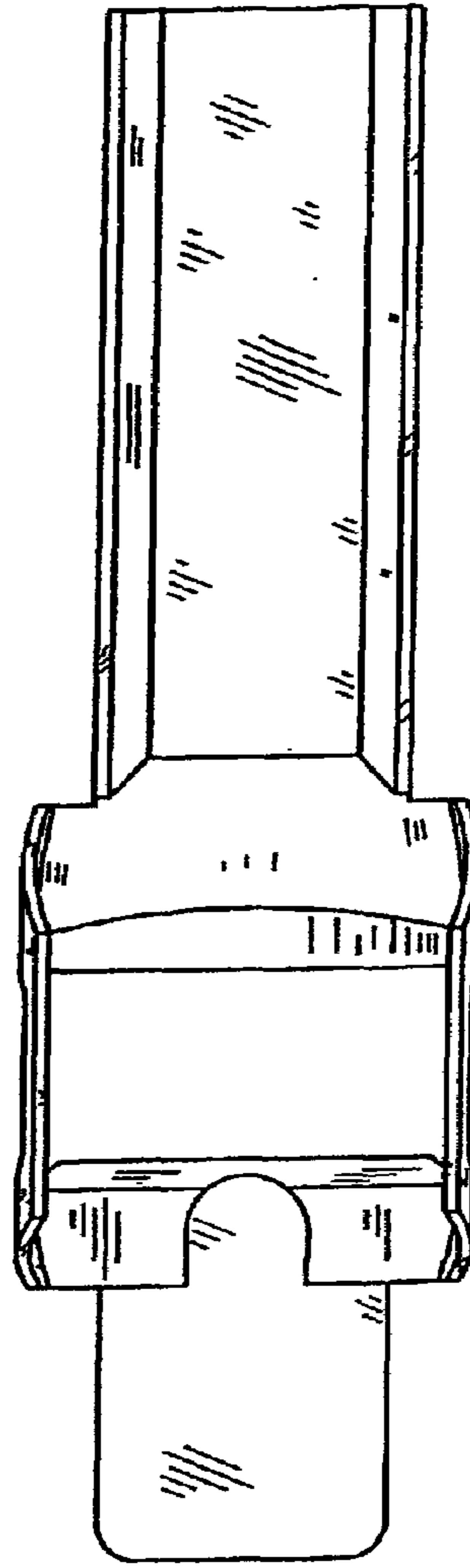


FIG. 6