

US00D569970S

(12) **United States Design Patent** (10) **Patent No.:** **US D569,970 S**
Kammer et al. (45) **Date of Patent:** **** *May 27, 2008**

(54) **HOSPITAL BASIN WITH CHANNEL**

(75) Inventors: **Patrick Kammer**, Greensboro, NC
(US); **Todd Cassidy**, Mocksville, NC
(US); **Mark Martel**, Belews Creek, NC
(US)

(73) Assignee: **C Change Surgical LLC**,
Winston-Salem, NC (US)

(*) Notice: This patent is subject to a terminal disclaimer.

(**) Term: **14 Years**

(21) Appl. No.: **29/285,350**

(22) Filed: **Mar. 28, 2007**

Related U.S. Application Data

(63) Continuation-in-part of application No. 29/226,136,
filed on Mar. 24, 2005, now Pat. No. Des. 547,444.

(51) **LOC (8) Cl.** **24-04**

(52) **U.S. Cl.** **D24/123**

(58) **Field of Classification Search** D24/123,
D24/122, 132, 216, 224, 121; D23/293.1,
D23/295, 123, 122, 132, 216, 224, 121; 604/6.15,
604/318, 317; D7/553.6, 608, 534.2, 401,
D7/354.2; 4/223, 258, 263, 905, 619; 220/573.1,
220/574, 912, DIG. 14, 606, 639, 890; 119/61.5,
119/51.01, 72, 75; 392/447; 219/437, 438,
219/430; 206/423, 502; 229/406; 99/339,
99/340; 128/846, 849

See application file for complete search history.

(56) **References Cited**

U.S. PATENT DOCUMENTS

189,590	A *	4/1877	Write	220/606
199,370	A *	1/1878	Kearns	220/606
255,165	A *	3/1882	Hale	220/636
269,054	A *	12/1882	Hemstager	220/574
298,287	A *	5/1884	Cochran et al.	220/890
1,797,963	A *	3/1931	Neller	119/75

1,811,896	A *	6/1931	Ross	4/619
2,994,761	A	8/1961	Hart et al.	
3,374,936	A *	3/1968	Colato	229/406
3,698,594	A *	10/1972	Boehlert	220/495.01
D298,452	S *	11/1988	Carter	D23/293.1
4,967,061	A	10/1990	Weber, Jr. et al.	219/438
5,129,033	A *	7/1992	Ferrara et al.	392/447
5,174,306	A	12/1992	Marshall	128/849
5,400,616	A	3/1995	Faries, Jr. et al.	62/340

(Continued)

OTHER PUBLICATIONS

<http://medegen.com/mmp/Products.asp?Catalog=OR&Section=ORBAOR>, as represented by Google as being retrieved by Google on Dec. 19, 2004. The Google link to this stored page is: http://www.google.com/search?q=cache:E_6EPHX3NuWJ:medegen.com/mmp/Products.asp%3FCatalog%3DOR%26Section%3DORBAOR+ring+basin+medical+2004+medegen&hl=en.

(Continued)

Primary Examiner—Louis S Zarfaz
Assistant Examiner—David G Muller
(74) *Attorney, Agent, or Firm*—The Eclipse Group LLP;
Kevin E. Flynn

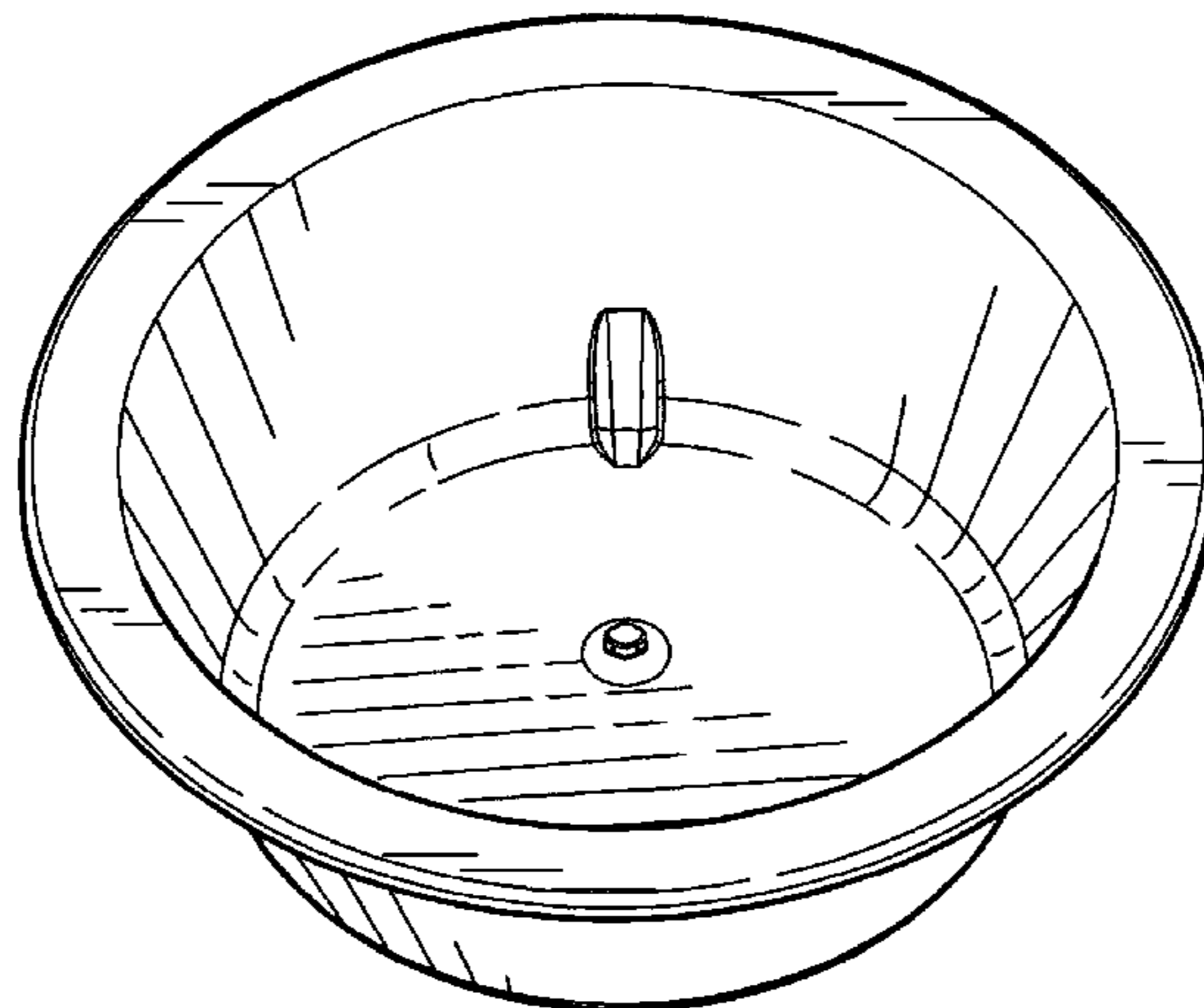
(57) **CLAIM**

The ornamental design for a hospital basin with channel, as shown and described.

DESCRIPTION

FIG. 1 is a bottom and side perspective view.
FIG. 2 is a side plan view.
FIG. 3 is a bottom plan view.
FIG. 4 is a top plan view.
FIG. 5 is a top and side perspective view.
FIG. 6 is a view of the cross sectional view thereof taken along the line 6—6 of FIG. 4; and,
FIG. 7 is a top perspective view thereof.

1 Claim, 5 Drawing Sheets



US D569,970 S

Page 2

U.S. PATENT DOCUMENTS

5,415,180 A 5/1995 Horan 128/846
5,718,124 A 2/1998 Senecal 62/457.6
6,255,627 B1* 7/2001 Faries et al. 219/430
6,401,602 B1* 6/2002 Lin 99/339
6,457,601 B1* 10/2002 Chappell 220/573.4
6,711,989 B1* 3/2004 Sarnoff 99/340
6,884,970 B2 4/2005 Lehman 219/432
7,128,275 B2 10/2006 Kammer et al. 236/1
D546,943 S 7/2007 Kammer et al. D24/123
D546,944 S 7/2007 Kammer et al. D24/123

2001/0045188 A1* 11/2001 Tsengas 119/51.01
2003/0230588 A1 12/2003 Zepter 220/669
2005/0242086 A1 11/2005 Imura 219/627
2005/0267425 A1* 12/2005 Castora et al. 604/317
2006/0086361 A1 4/2006 Kammer et al. 128/849

OTHER PUBLICATIONS

“Amendment and Reply to Office Action Mailed Feb. 26, 2007”;
filed in U.S. Appl. No. 11/209,442; Aug. 27, 2007.

* cited by examiner

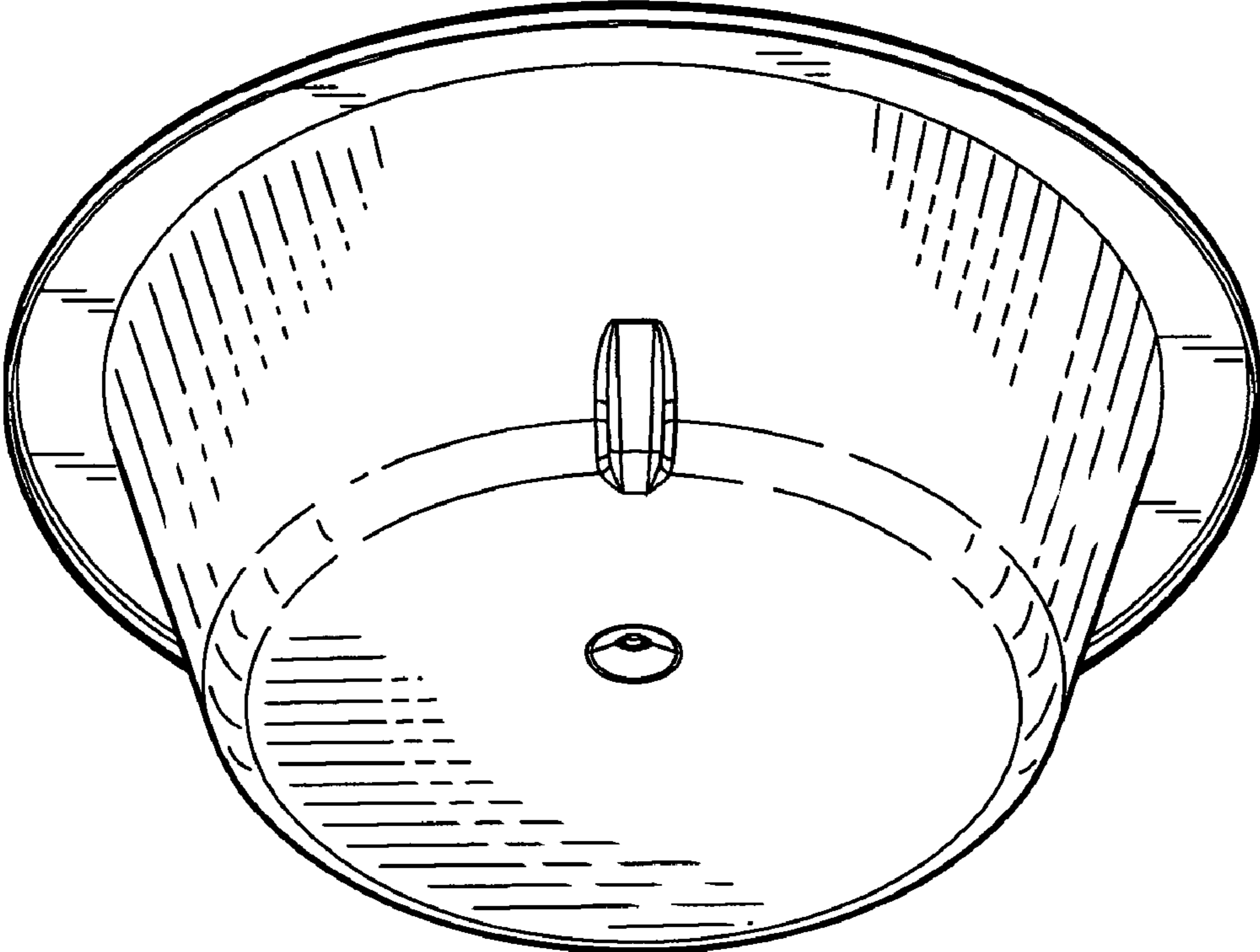


Fig. 1

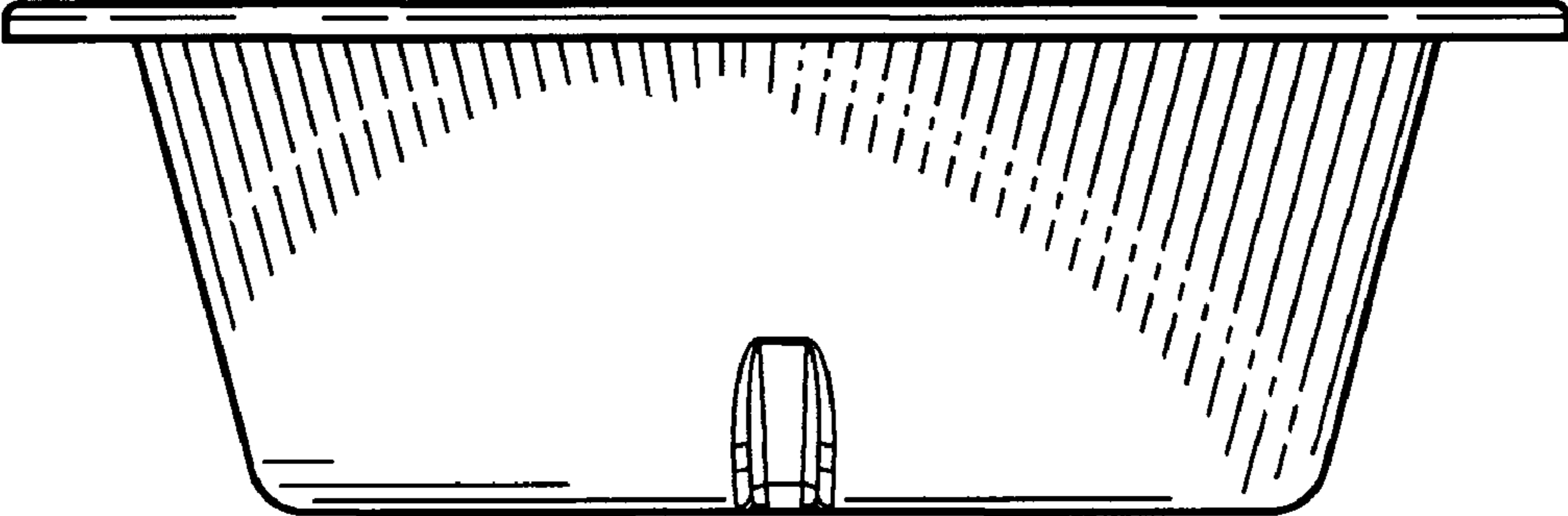


Fig. 2

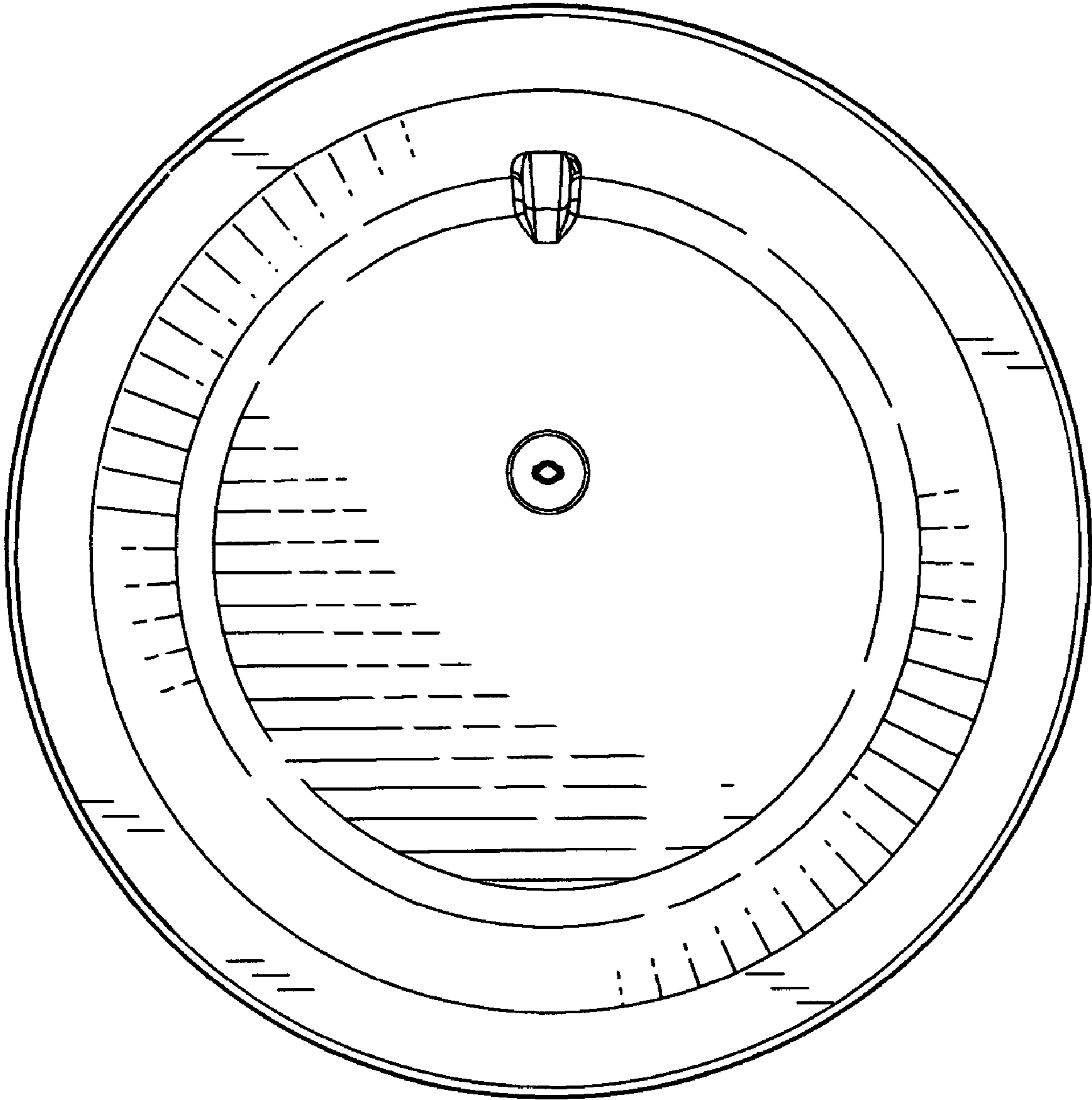


Fig. 3

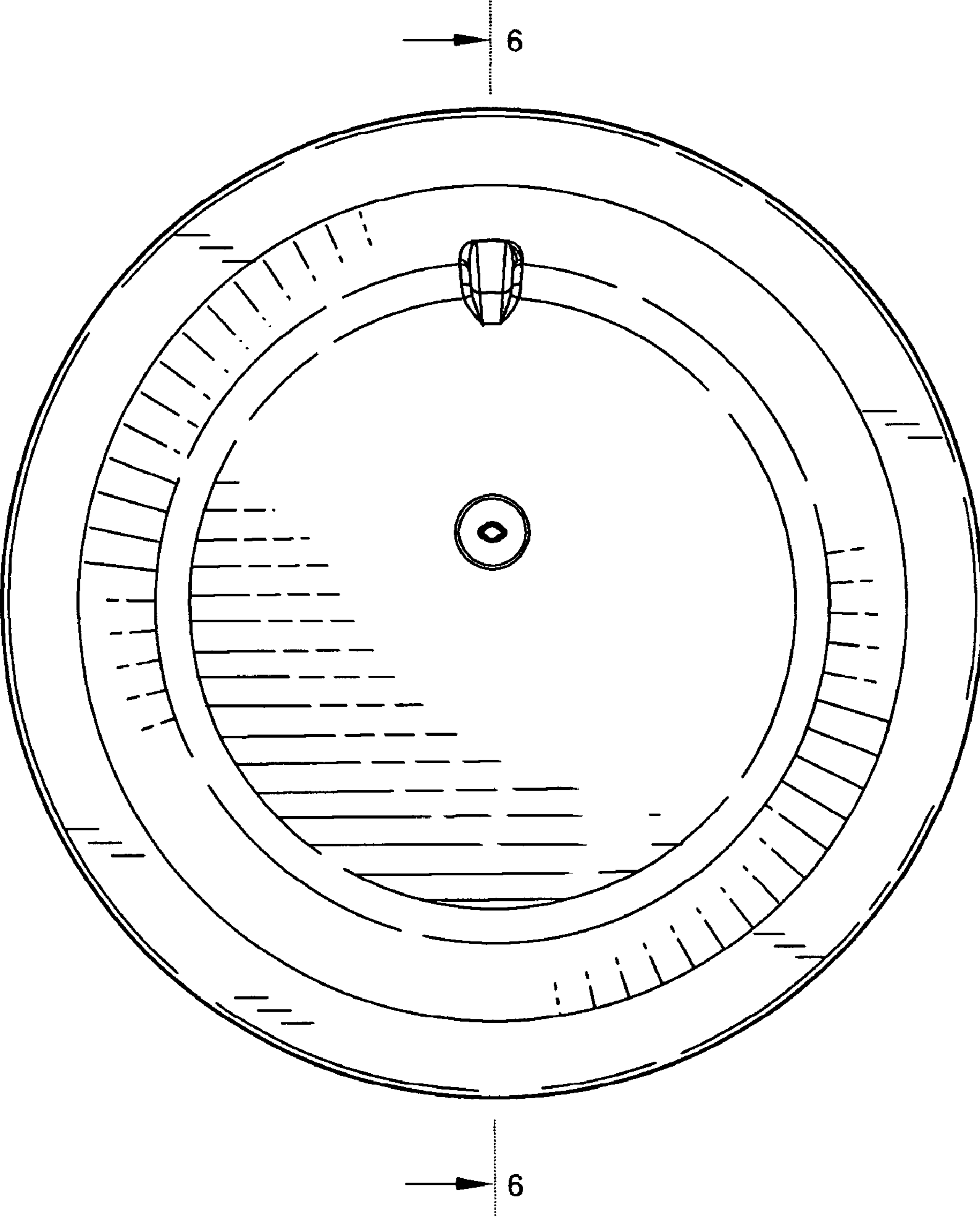


Fig. 4

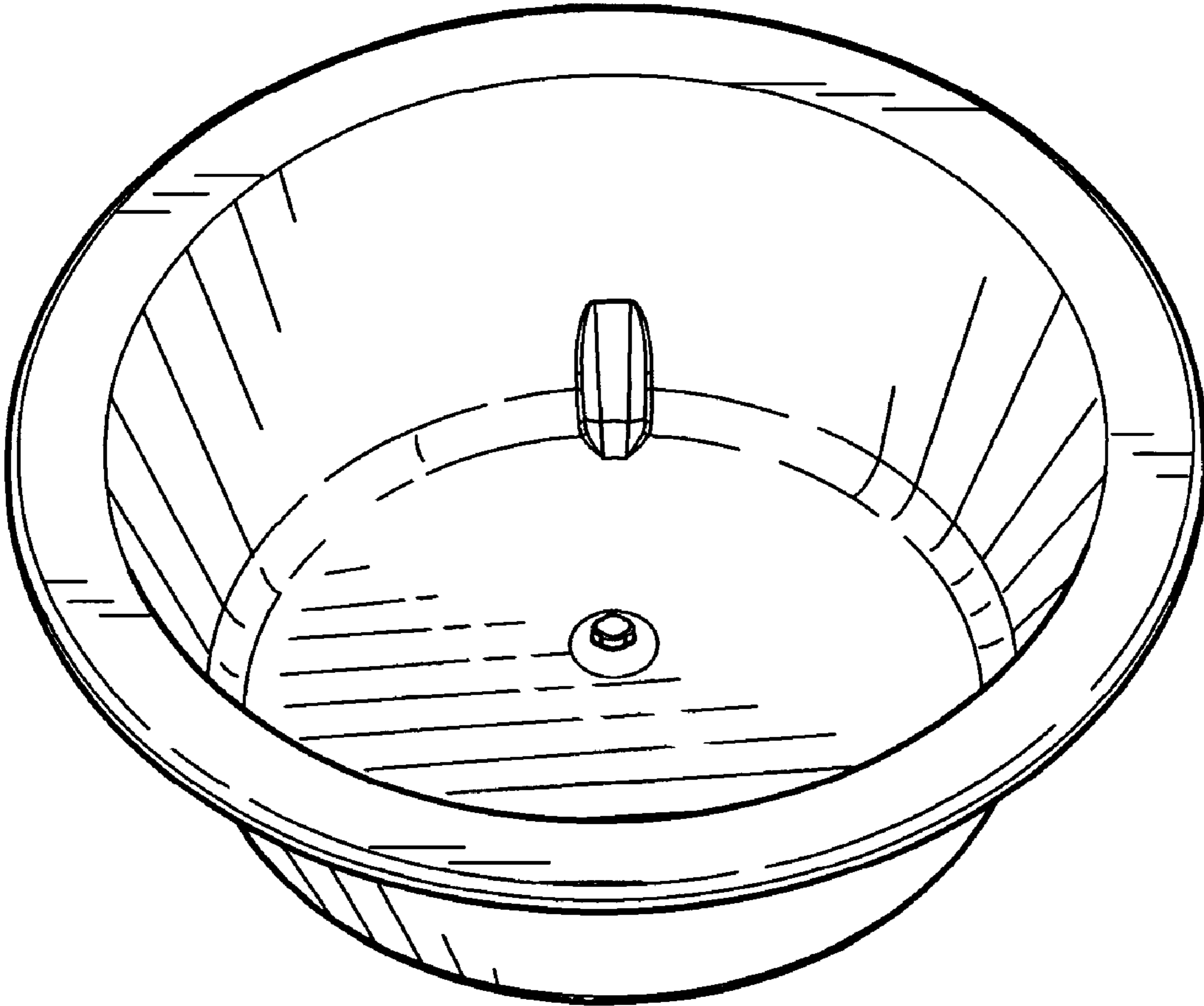


Fig. 5

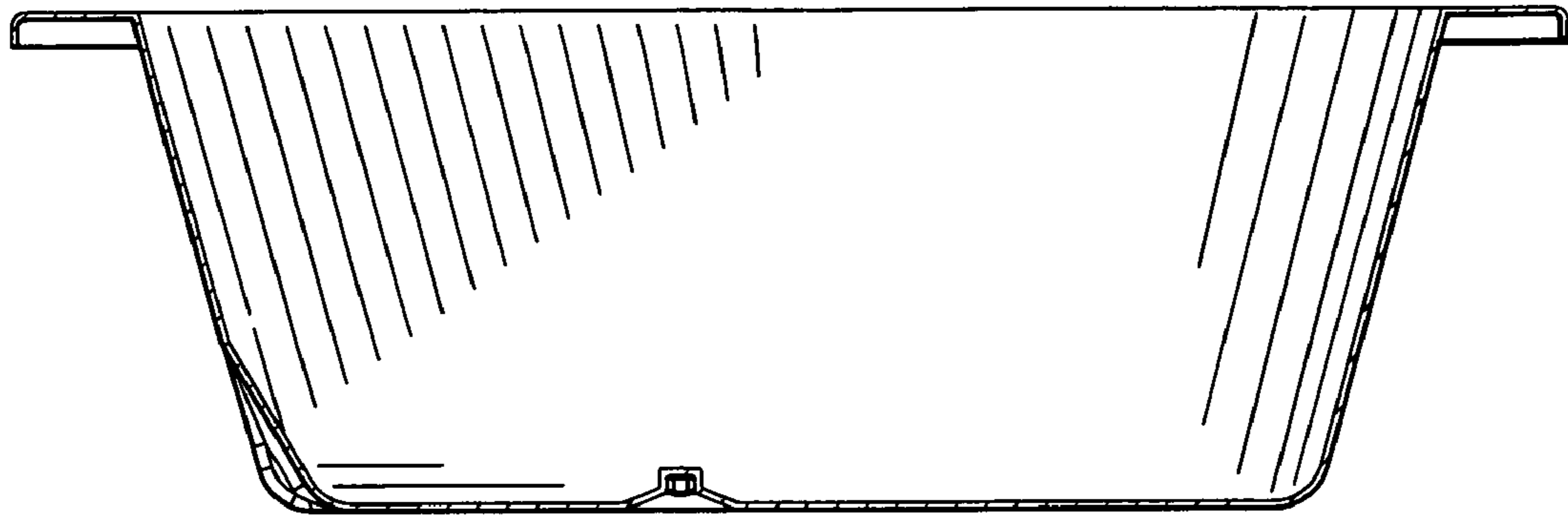


Fig. 6

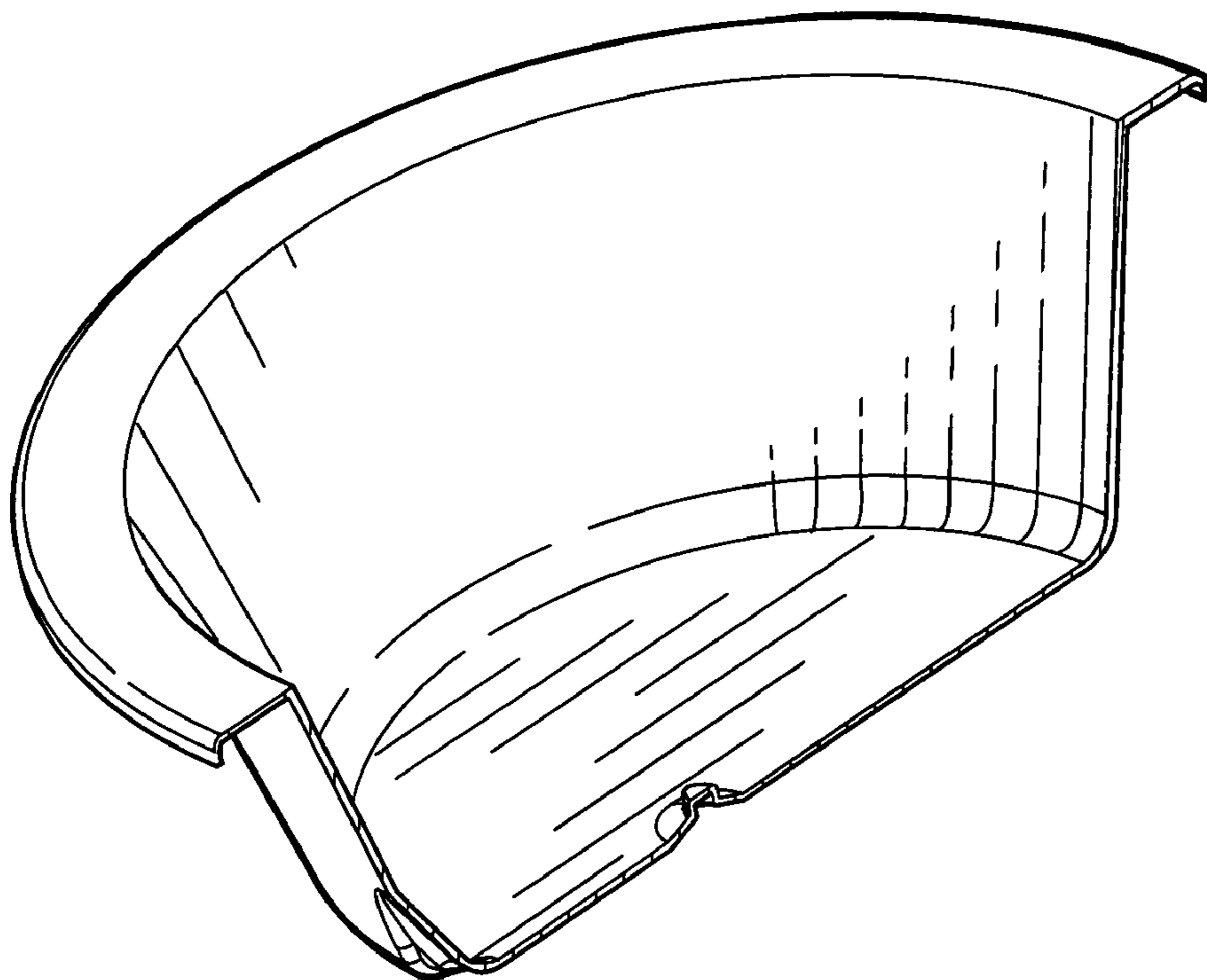


Fig. 7