

US00D569963S

(12) **United States Design Patent**
Pan

(10) **Patent No.:** **US D569,963 S**

(45) **Date of Patent:** **** May 27, 2008**

(54) **FAN BLADE BRACKET**

(74) *Attorney, Agent, or Firm*—Ming Chow; Sinorica, LLC

(75) **Inventor:** **Peter Pan**, Shetzu (TW)

(57) **CLAIM**

(73) **Assignee:** **Air Cool Industrial Co., Ltd.**,
Taichung County (TW)

I claim the ornamental design for a fan blade bracket, as shown and described.

(**) **Term:** **14 Years**

DESCRIPTION

(21) **Appl. No.:** **29/274,447**

FIG. 1 is a front perspective view of a fan blade bracket showing my new design;

(22) **Filed:** **Apr. 24, 2007**

FIG. 2 is a front elevational view thereof;

(51) **LOC (8) Cl.** **23-04**

FIG. 3 is a rear elevational view thereof.

(52) **U.S. Cl.** **D23/411**

FIG. 4 is a left side elevational view thereof;

(58) **Field of Classification Search** D23/377,
D23/379, 385, 411, 413; 416/5

FIG. 5 is a right side elevational view thereof;

See application file for complete search history.

FIG. 6 is a top plan view thereof;

(56) **References Cited**

FIG. 7 is a bottom plan view thereof; and,

U.S. PATENT DOCUMENTS

FIG. 8 is a reduced perspective view of the fan blade bracket in accordance with my design, shown in its environment.

D556,889 S * 12/2007 Curtin et al. D23/411

The broken line showing of the ceiling fan blades, blade irons, and light fixture is included for the purpose of illustrating environmental structure and forms no part of the claimed design.

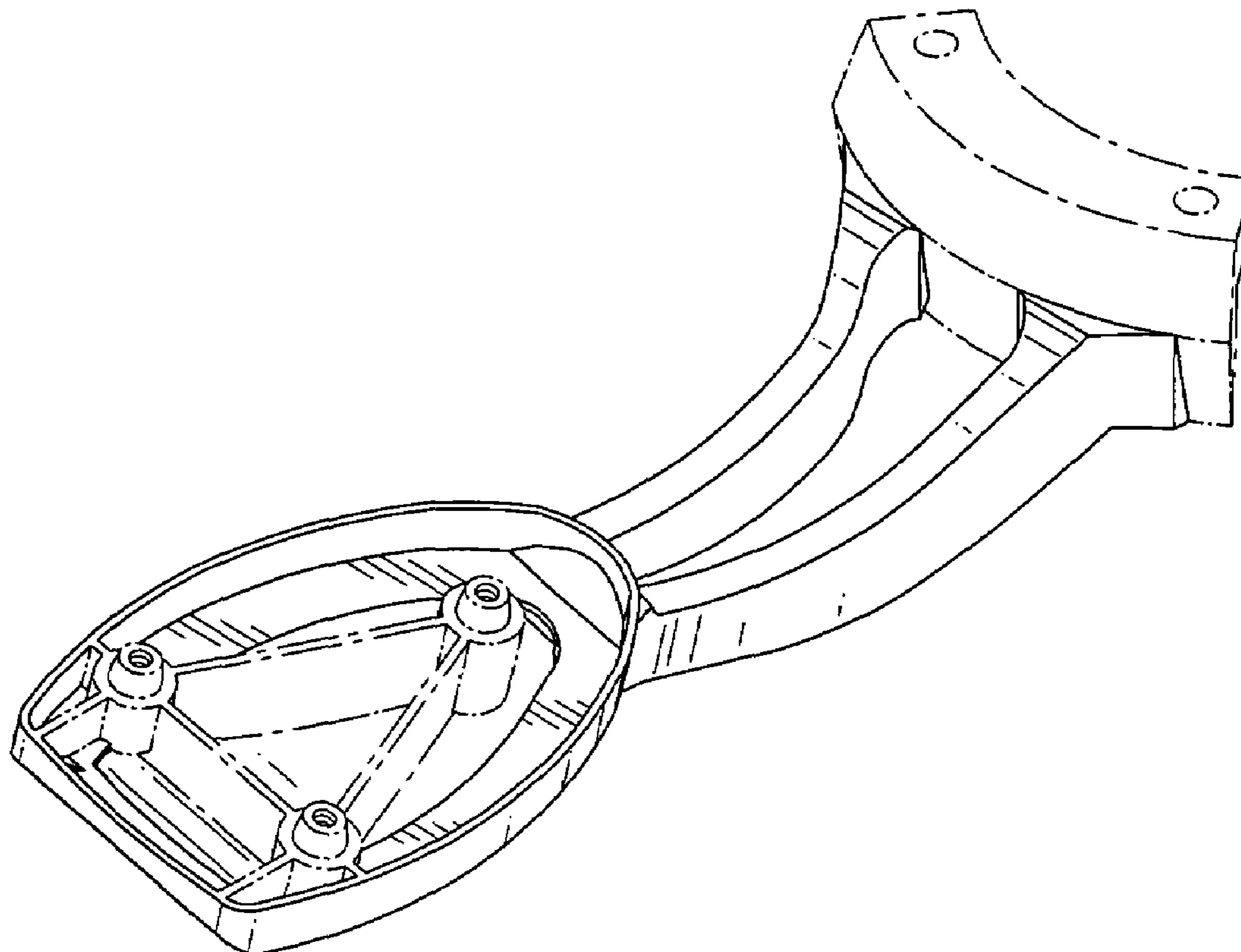
D557,794 S * 12/2007 Curtin D23/411

D558,328 S * 12/2007 Badarello D23/411

* cited by examiner

Primary Examiner—Lisa Lichtenstein

1 Claim, 5 Drawing Sheets



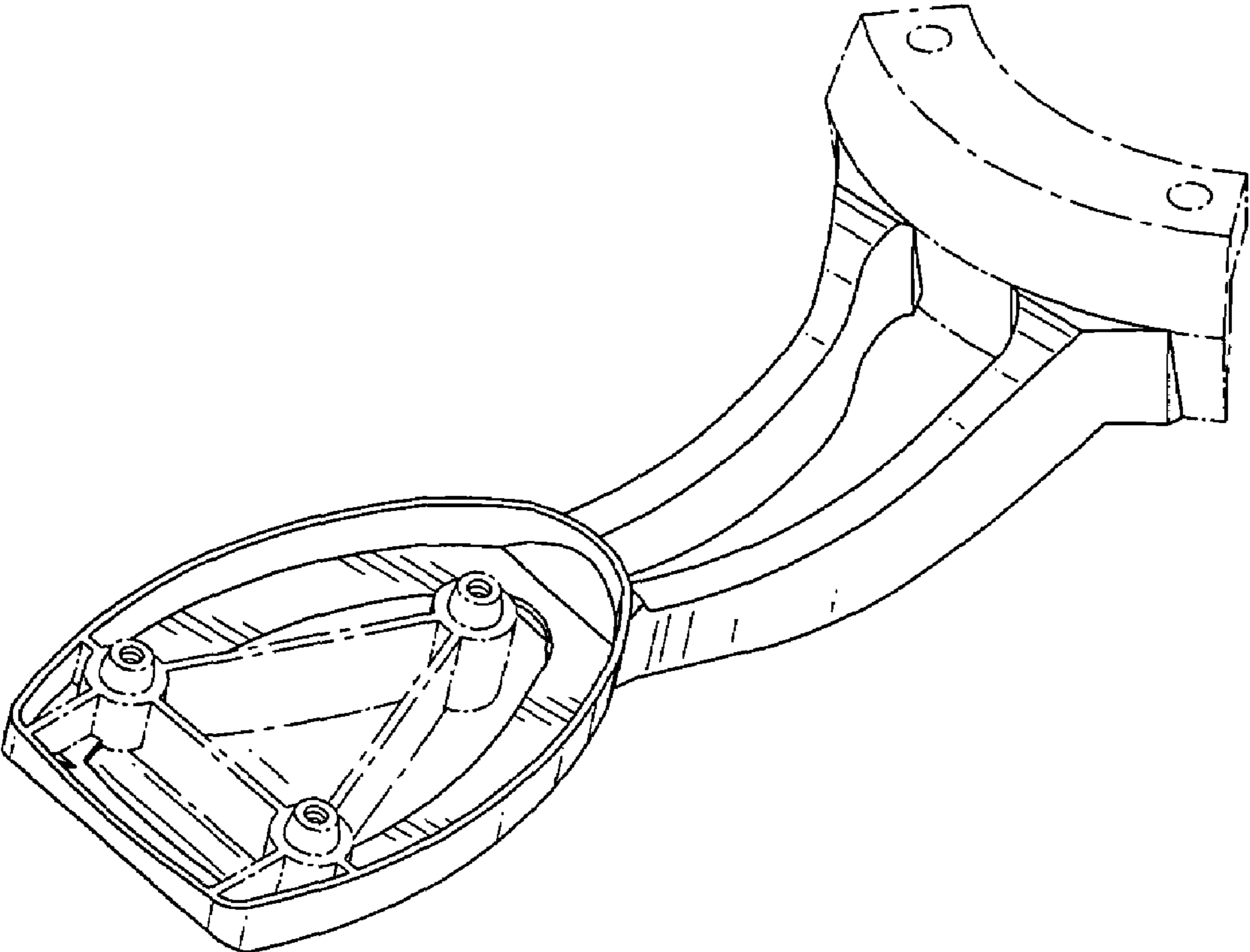


FIG. 1

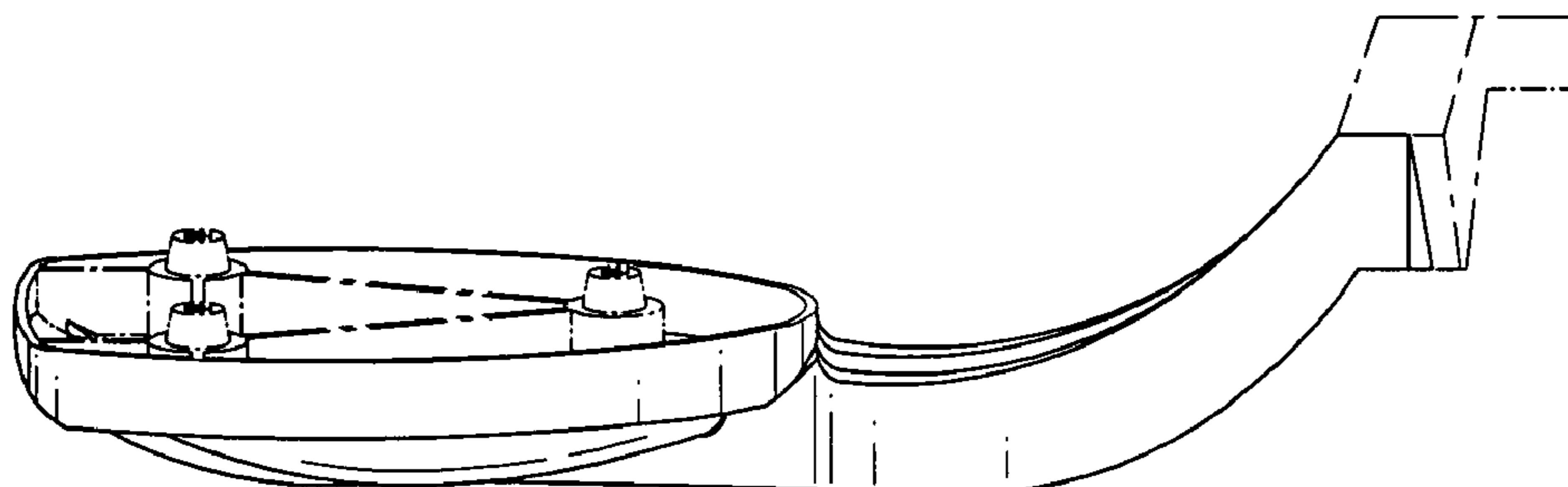


FIG. 2

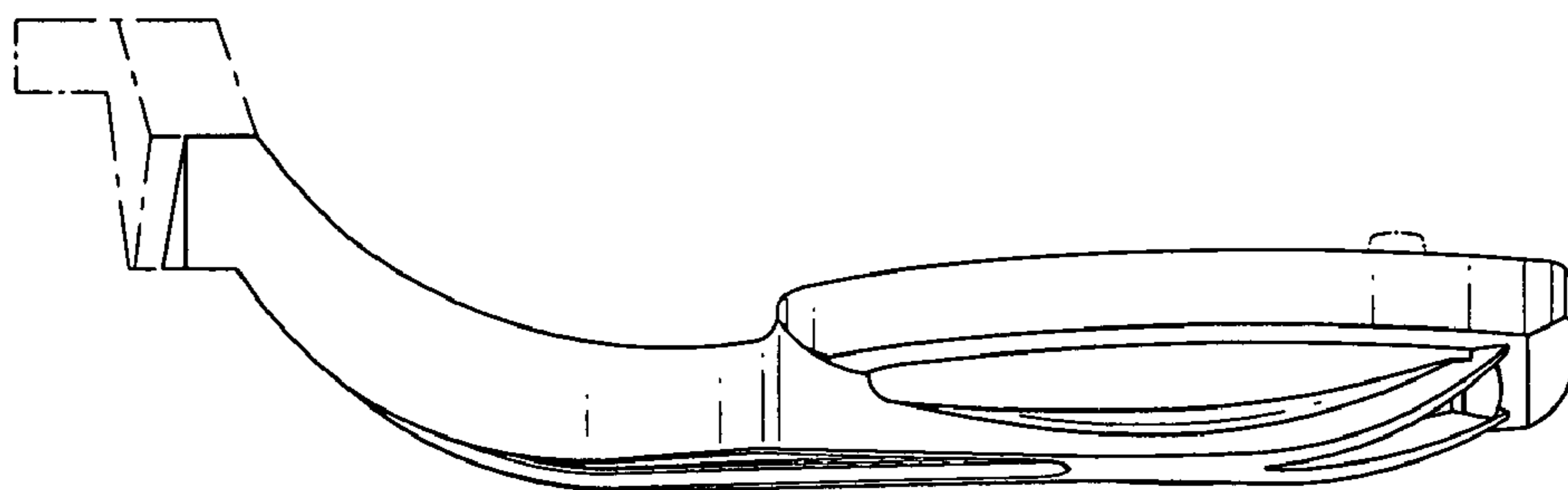


FIG. 3

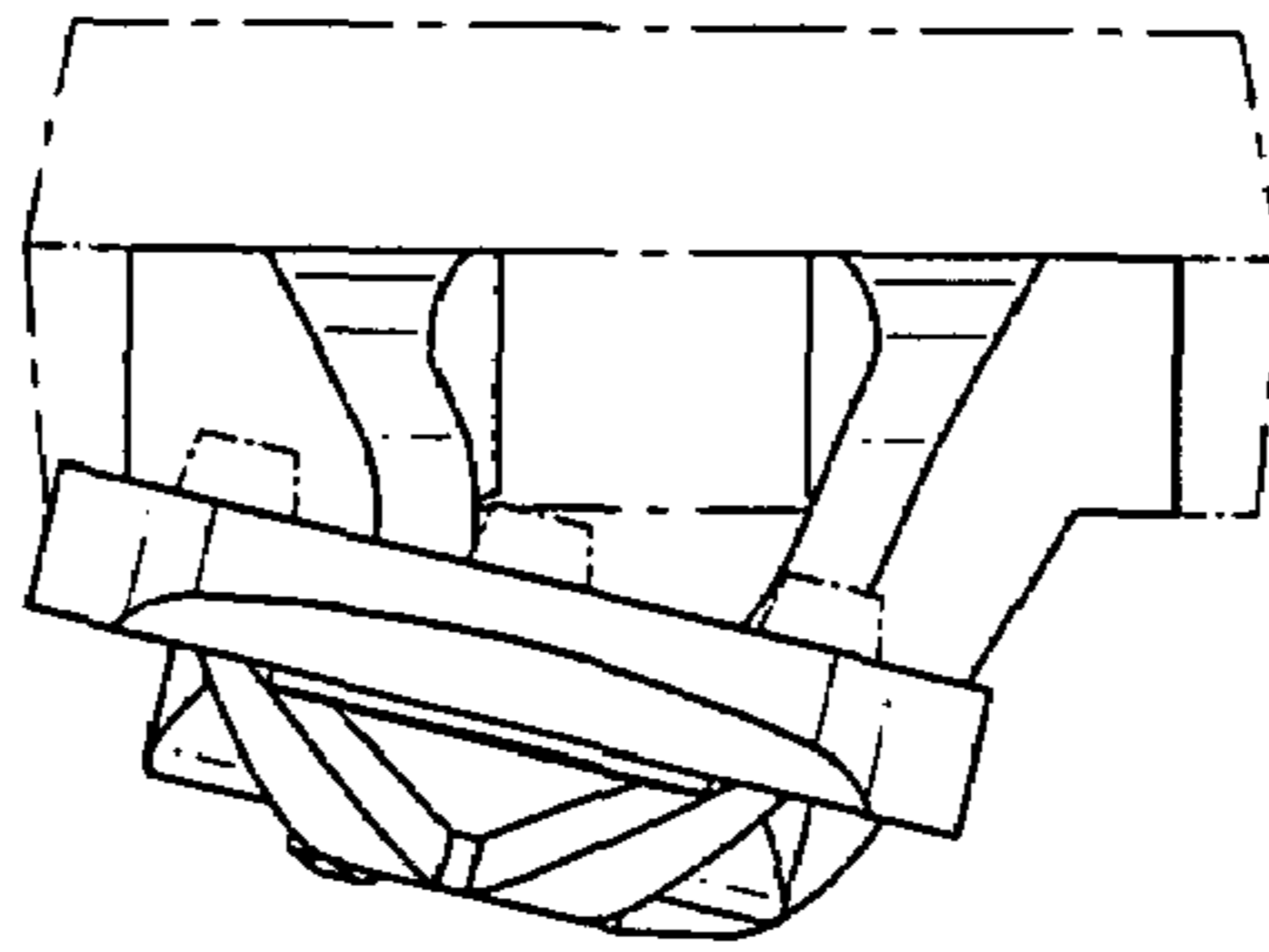


FIG. 4

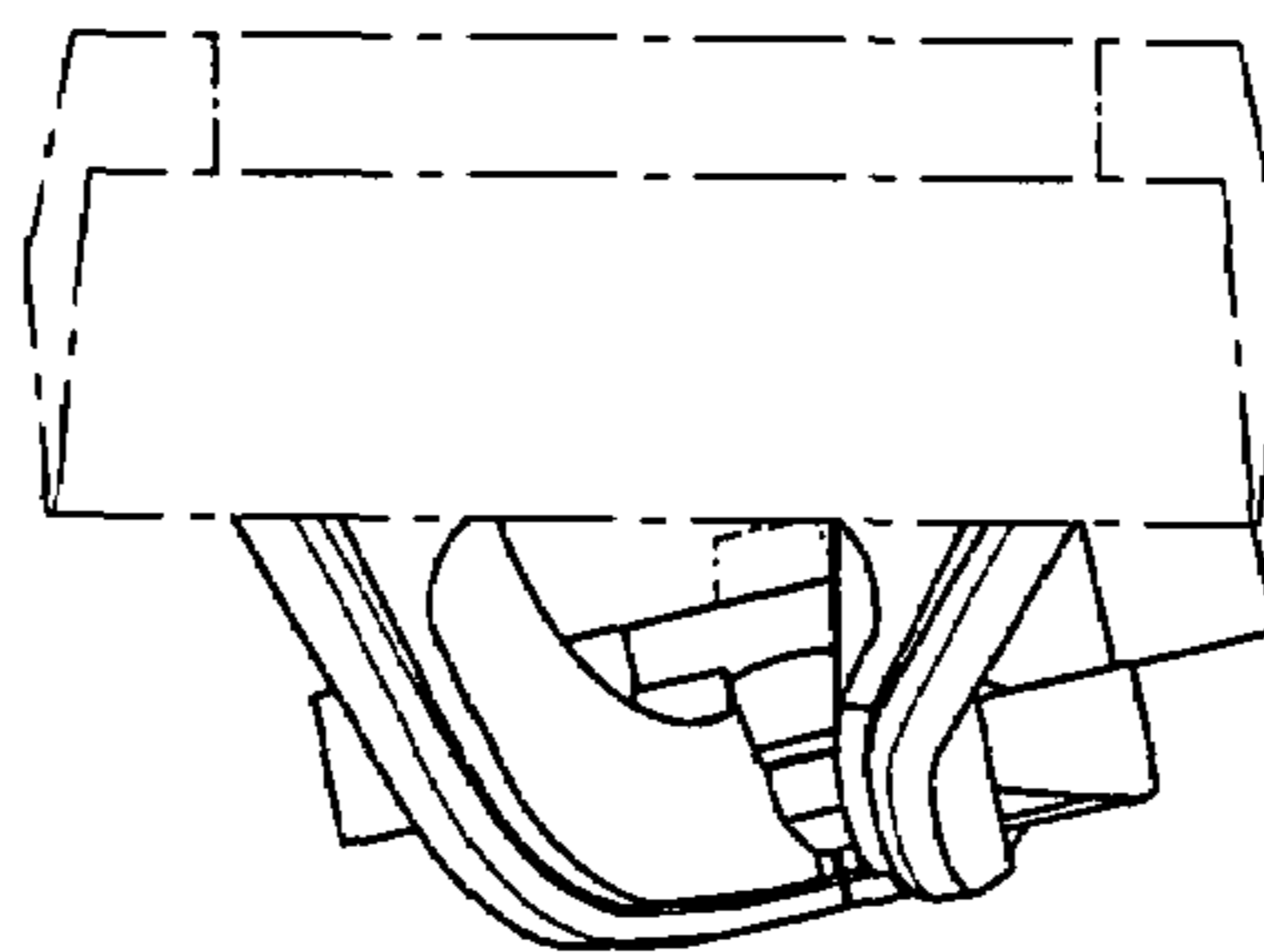


FIG. 5

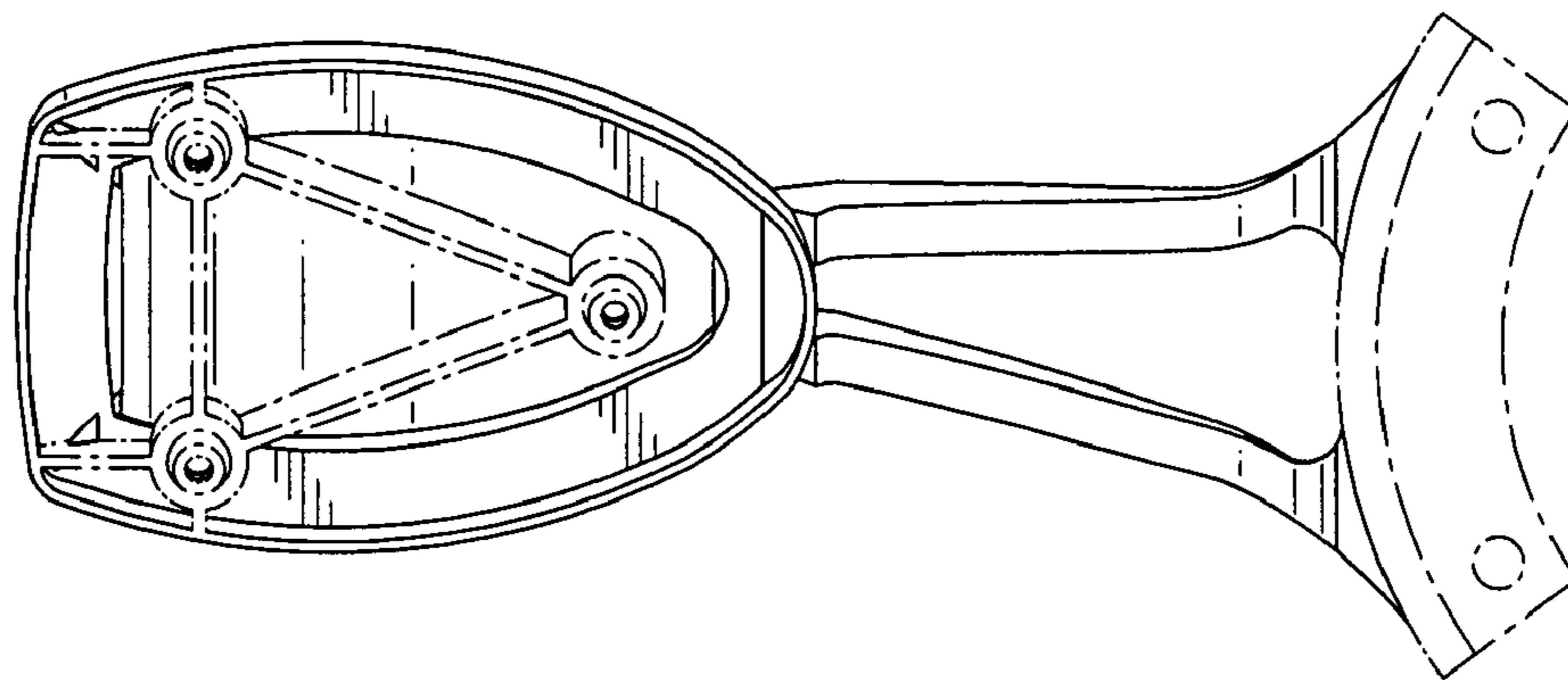


FIG. 6

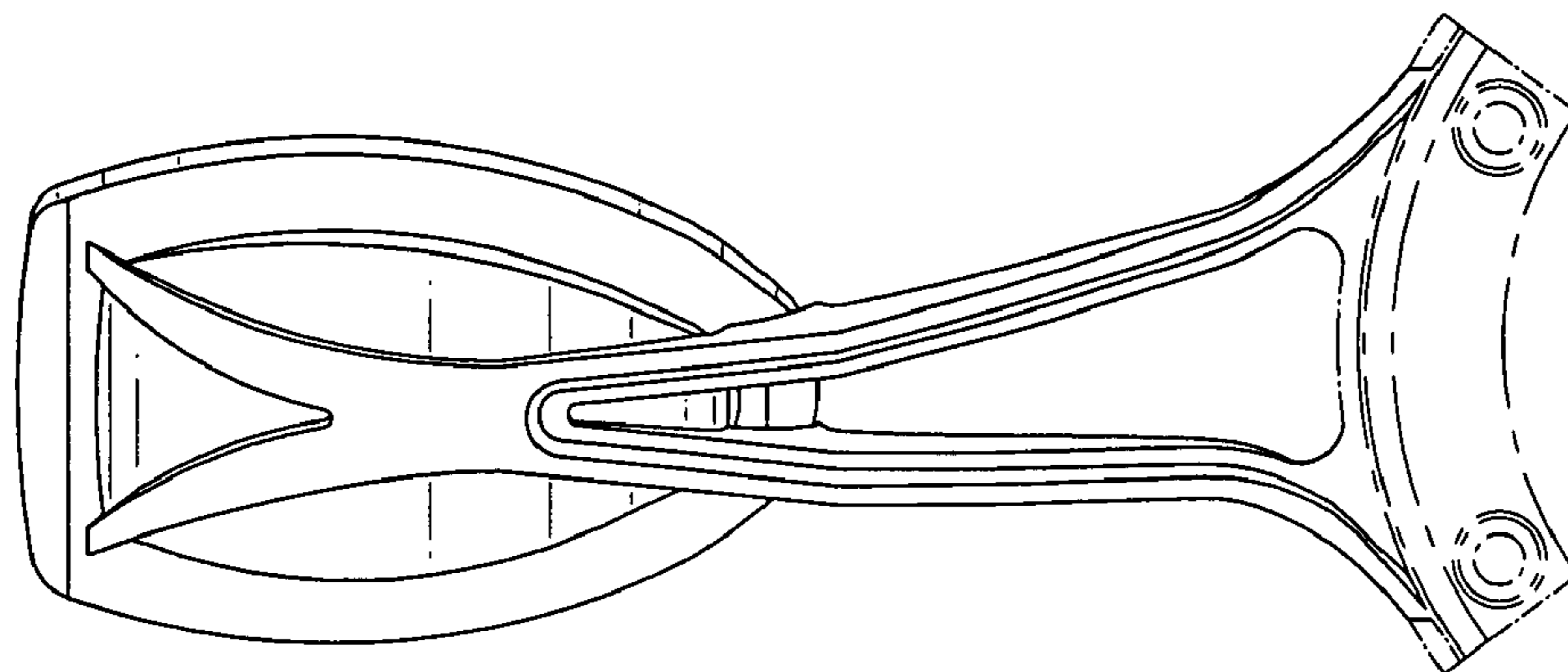


FIG. 7

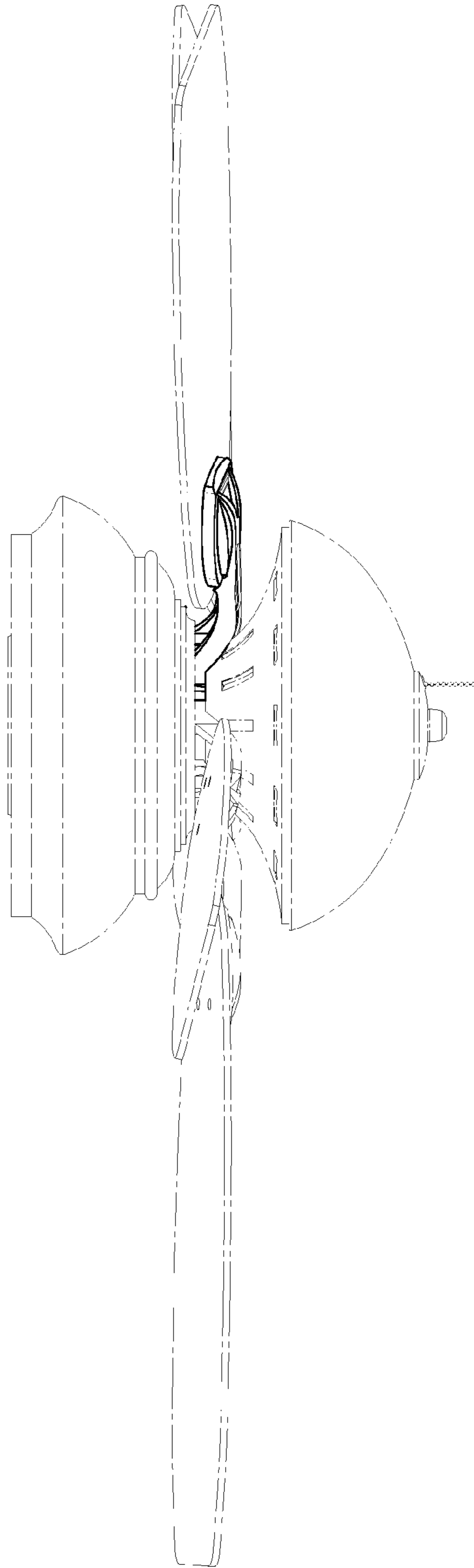


FIG. 8