



US00D569959S

(12) **United States Design Patent**  
**Gasper et al.**

(10) **Patent No.:** **US D569,959 S**

(45) **Date of Patent:** **\*\* May 27, 2008**

(54) **AIR PURIFIER**

(75) Inventors: **Thomas P. Gasper**, Germantown, WI (US); **Milan L. Zdrubeky**, Milwaukee, WI (US); **James R. Crapsler**, Racine, WI (US); **Daniel Perez**, Chicago, IL (US); **Ki Bok Song**, Des Plaines, IL (US)

(73) Assignee: **S.C. Johnson & Son Inc.**, Racine, WI (US)

(\*\*) Term: **14 Years**

(21) Appl. No.: **29/281,249**

(22) Filed: **Jun. 19, 2007**

**Related U.S. Application Data**

(62) Division of application No. 29/246,683, filed on May 3, 2006.

(51) **LOC (8) Cl.** ..... **23-04**

(52) **U.S. Cl.** ..... **D23/364**

(58) **Field of Classification Search** ..... D23/364, D23/355, 356, 359, 360, 362, 366, 369, 332, D23/333, 335, 336, 342; 422/120, 122; 55/356, 55/473, 504; 210/497.1; 96/97  
See application file for complete search history.

(56) **References Cited**

**U.S. PATENT DOCUMENTS**

D300,847 S \* 4/1989 Lin ..... D23/335  
D421,646 S \* 3/2000 Palma et al. .... D23/335  
D456,499 S \* 4/2002 Ching ..... D23/335  
D462,429 S \* 9/2002 Gao ..... D23/335

D467,325 S \* 12/2002 Ching ..... D23/335  
D487,504 S \* 3/2004 Yuen ..... D23/366  
D507,824 S \* 7/2005 Blateri ..... D23/335  
D513,067 S \* 12/2005 Blateri ..... D23/335  
D513,313 S \* 12/2005 Russak et al. .... D23/364  
D513,430 S \* 1/2006 Blateri ..... D23/335  
D515,189 S \* 2/2006 Russak et al. .... D23/364  
D515,677 S \* 2/2006 Blateri ..... D23/335  
D538,415 S \* 3/2007 Ching ..... D23/335

\* cited by examiner

*Primary Examiner*—Ian Simmons  
*Assistant Examiner*—David G Muller

(57) **CLAIM**

The ornamental design for an air purifier, as shown and described.

**DESCRIPTION**

FIG. 1 is a perspective view of the air purifier of the present invention;

FIG. 2 is a front elevation view of the air purifier of FIG. 1;

FIG. 3 is a right side elevational view of the air purifier of FIG. 1, the left side being a mirror image thereof;

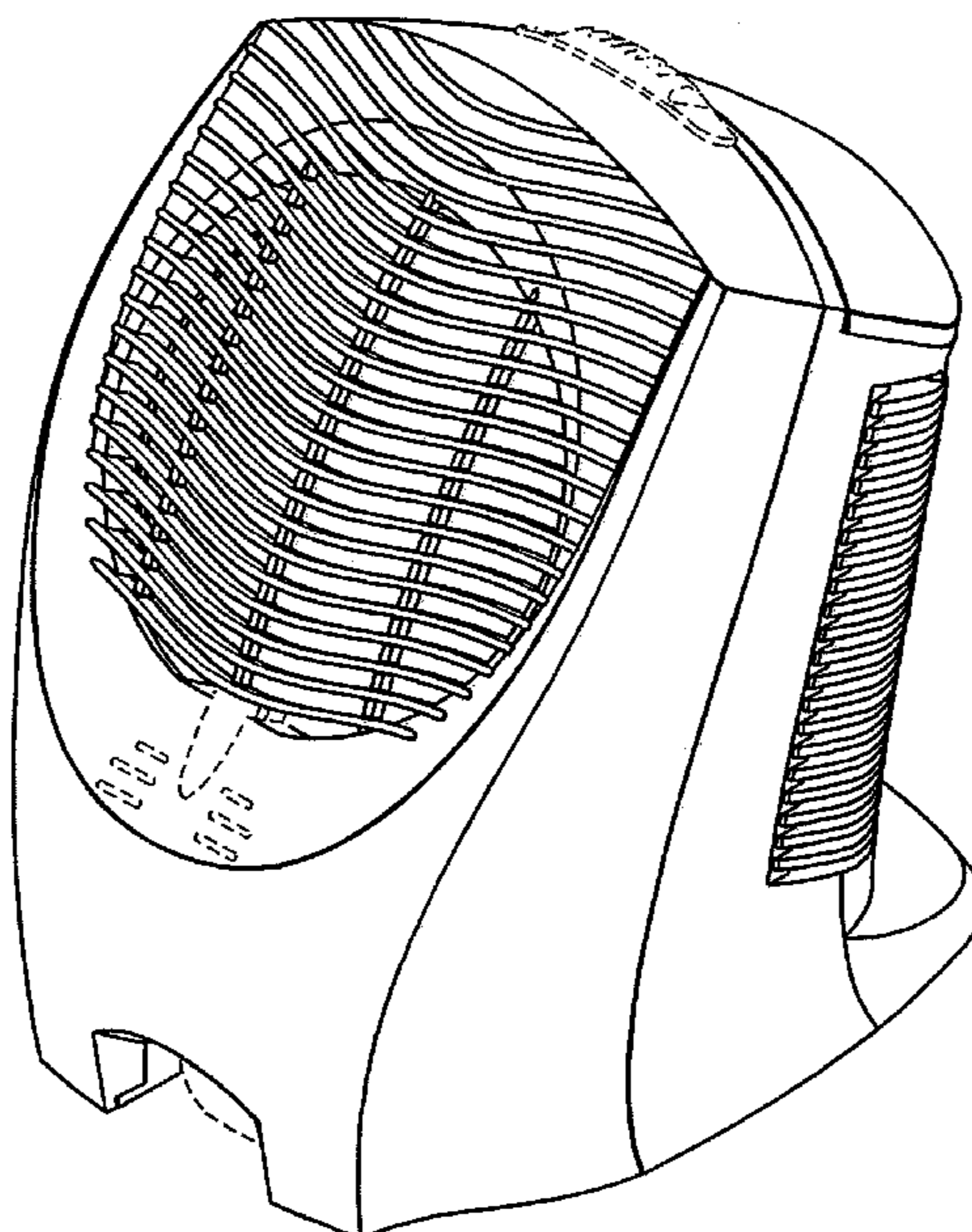
FIG. 4 is a top plan view of the air purifier of FIG. 1;

FIG. 5 is a rear elevational view of the air purifier of FIG. 1; and,

FIG. 6 is a bottom plan view of the air purifier of FIG. 1.

The broken line showing of parts of the drawings is included for the purpose of illustrating use and environment and forms no part of the claimed design.

**1 Claim, 4 Drawing Sheets**



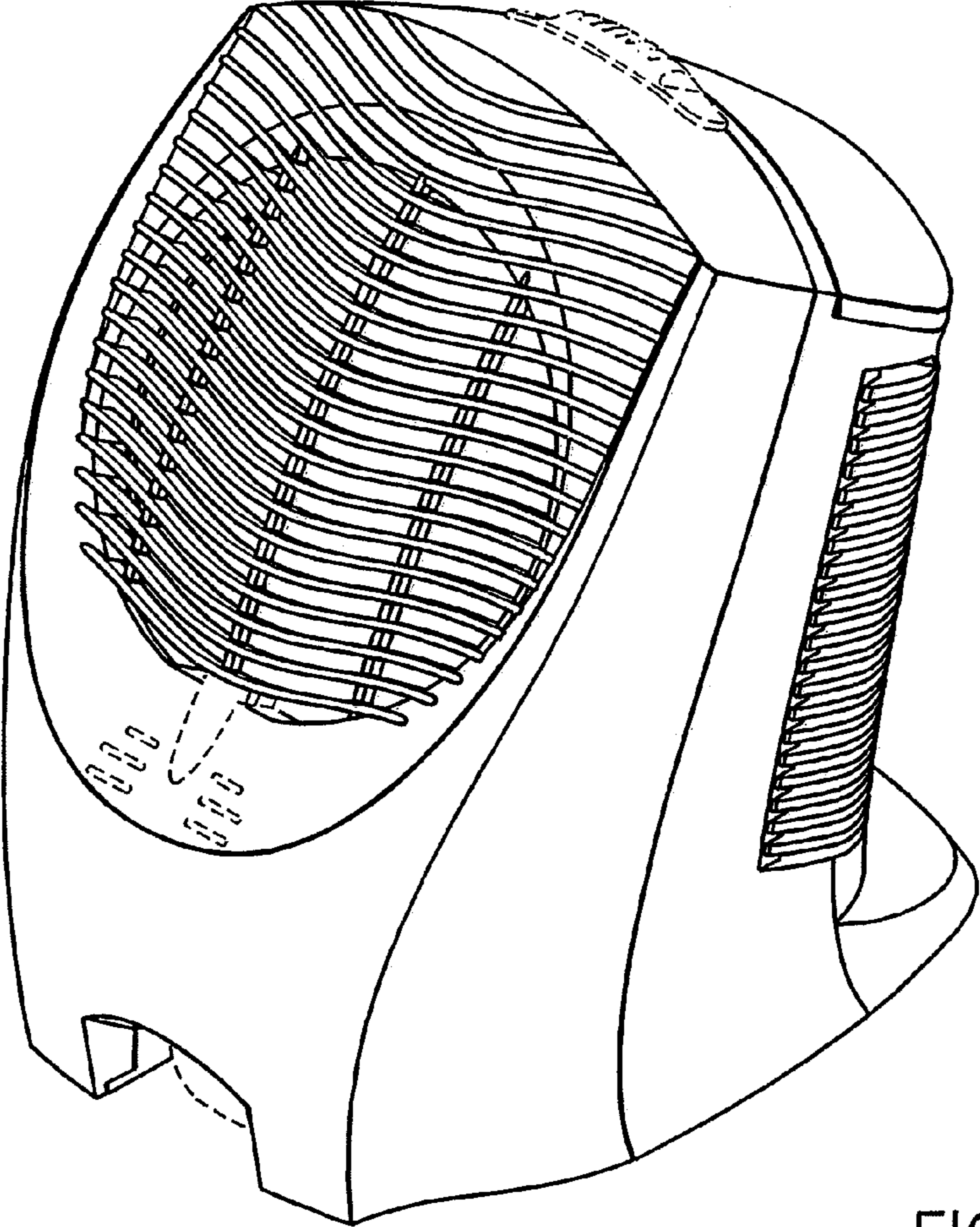


FIG. 1

FIG. 2

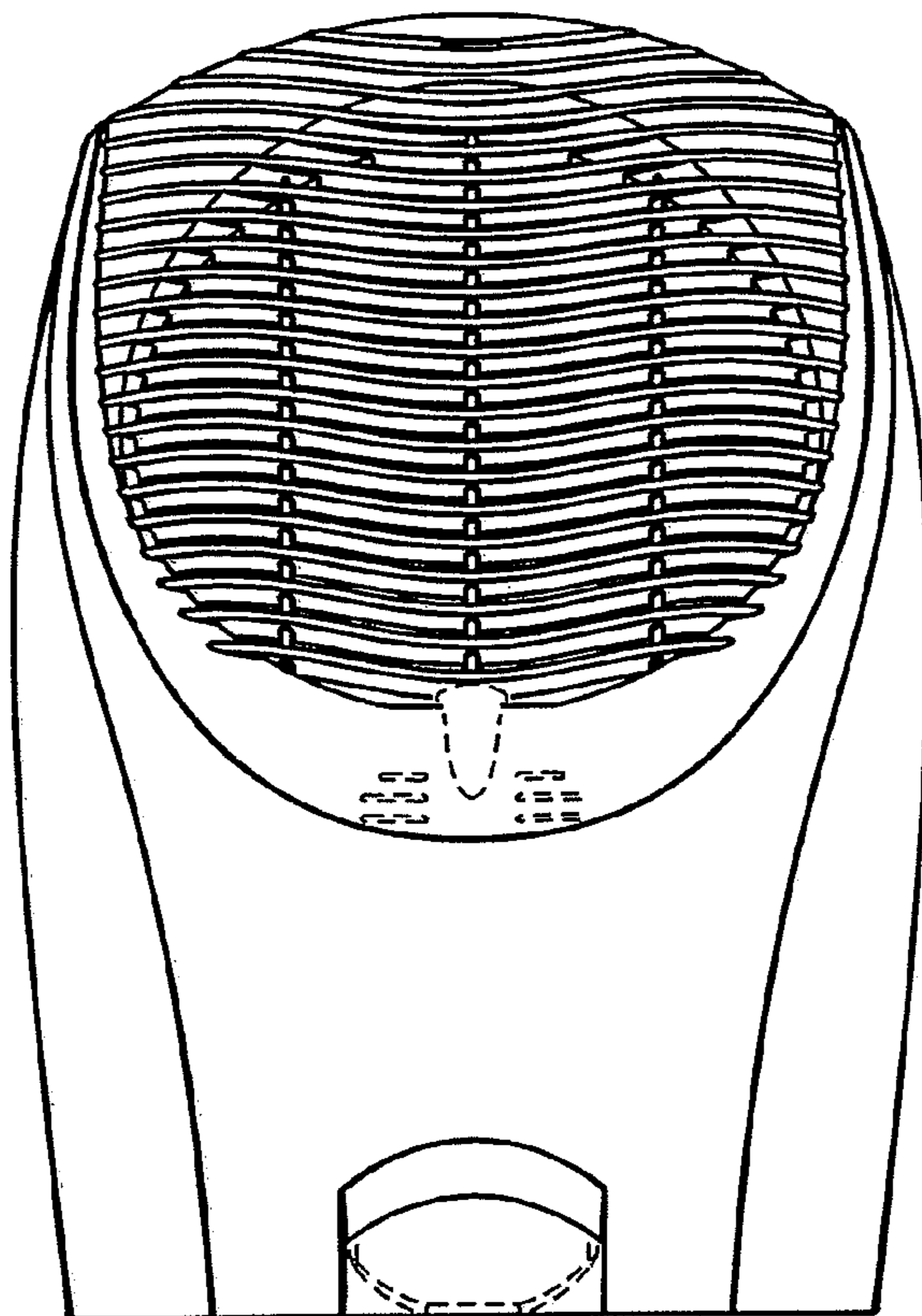
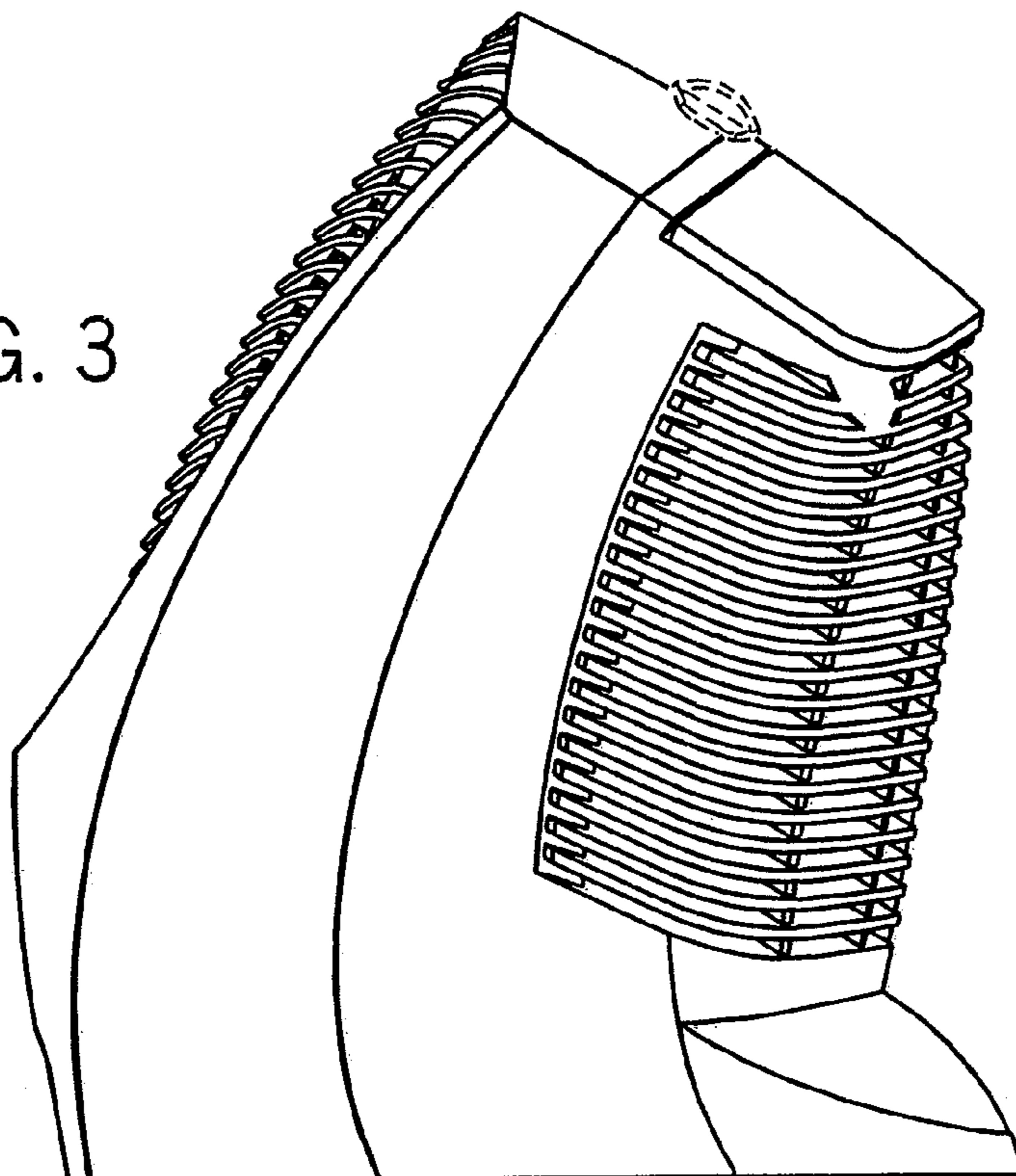


FIG. 3



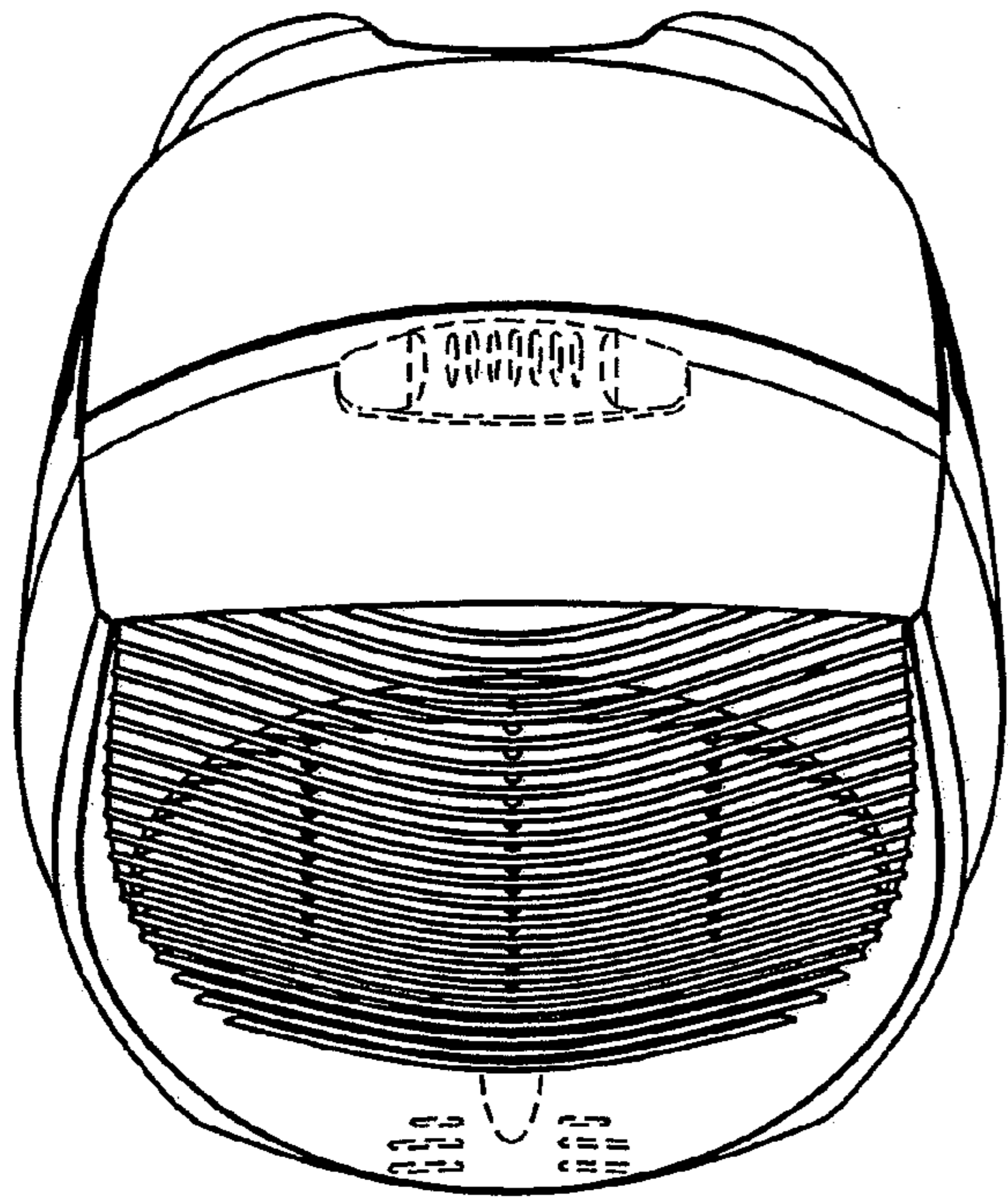


FIG. 4

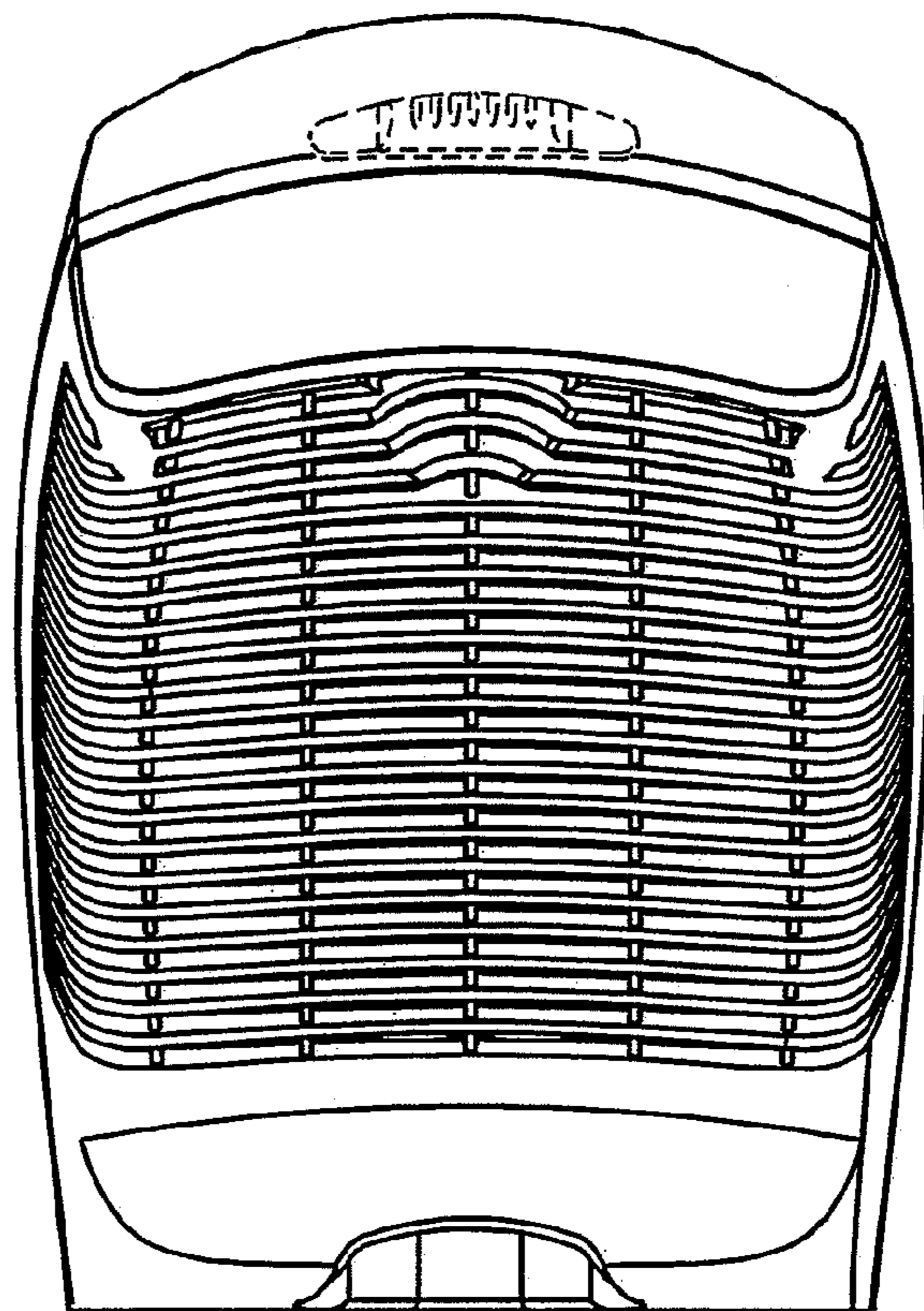


FIG. 5

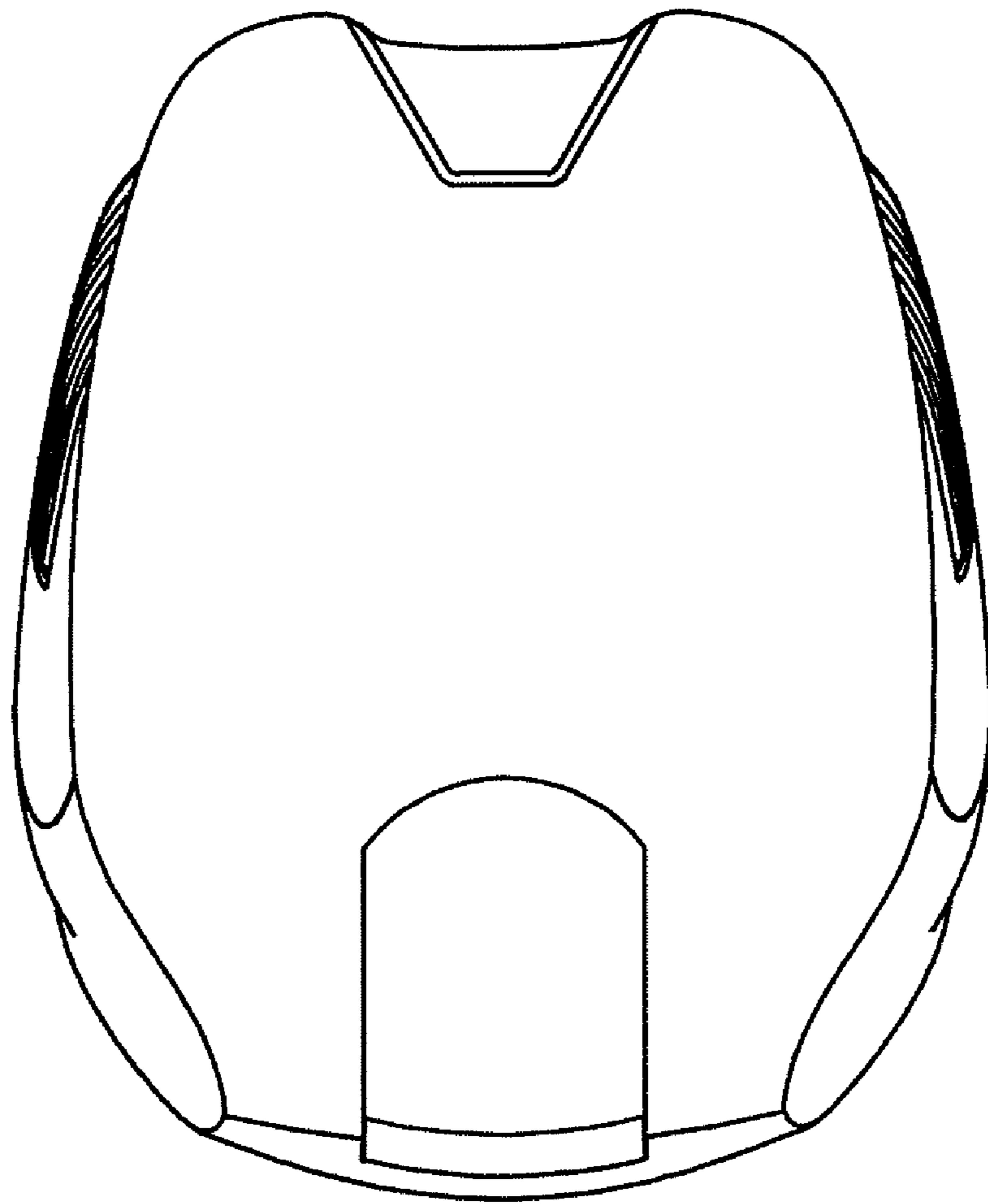


FIG. 6