



US00D569958S

(12) **United States Design Patent**  
**Snow et al.**

(10) **Patent No.:** **US D569,958 S**  
(45) **Date of Patent:** **\*\* May 27, 2008**

(54) **PORTION OF A HUMIDIFIER TUB**

(75) Inventors: **John Michael Snow**, Cremorne (AU);  
**Dan Kao**, Chatswood (AU); **Perry**  
**David Lithgow**, Glenwood (AU); **Ian**  
**Malcolm Smith**, Westleigh (AU);  
**William Bonilla**, Blacktown (AU)

(73) Assignee: **ResMed Limited**, Bella Vista (AU)

(\*\*) Term: **14 Years**

(21) Appl. No.: **29/287,841**

(22) Filed: **Sep. 26, 2007**

**Related U.S. Application Data**

(63) Continuation of application No. 29/274,056, filed on  
Mar. 26, 2007, now Pat. No. Des. 555,236, which is  
a continuation of application No. 29/251,426, filed on  
Jan. 9, 2006, now Pat. No. Des. 545,954.

(51) **LOC (8) Cl.** ..... **23-04**

(52) **U.S. Cl.** ..... **D23/356**

(58) **Field of Classification Search** ..... D23/356,  
D23/358, 355, 364-5; 392/385, 405-6; 239/136;  
261/DIG. 65; D24/110

See application file for complete search history.

(56) **References Cited**

**U.S. PATENT DOCUMENTS**

4,657,713 A 4/1987 Miller

6,314,237 B1 11/2001 Glucksman  
D468,819 S 1/2003 Lai et al.  
D486,900 S 2/2004 Keller et al.  
D545,954 S 7/2007 Snow et al.

**OTHER PUBLICATIONS**

Parent U.S. Appl. No. 29/274,056, filed Mar. 26, 2007, Snow et al.

*Primary Examiner*—Robin V Webster

(74) *Attorney, Agent, or Firm*—Nixon & Vanderhye P.C.

(57) **CLAIM**

The ornamental design for a portion of a humidifier tub, as  
shown and described.

**DESCRIPTION**

FIG. 1 is a front perspective view of a portion of a humidifier  
tub according to our design;

FIG. 2 is a front view thereof;

FIG. 3 is a rear view thereof;

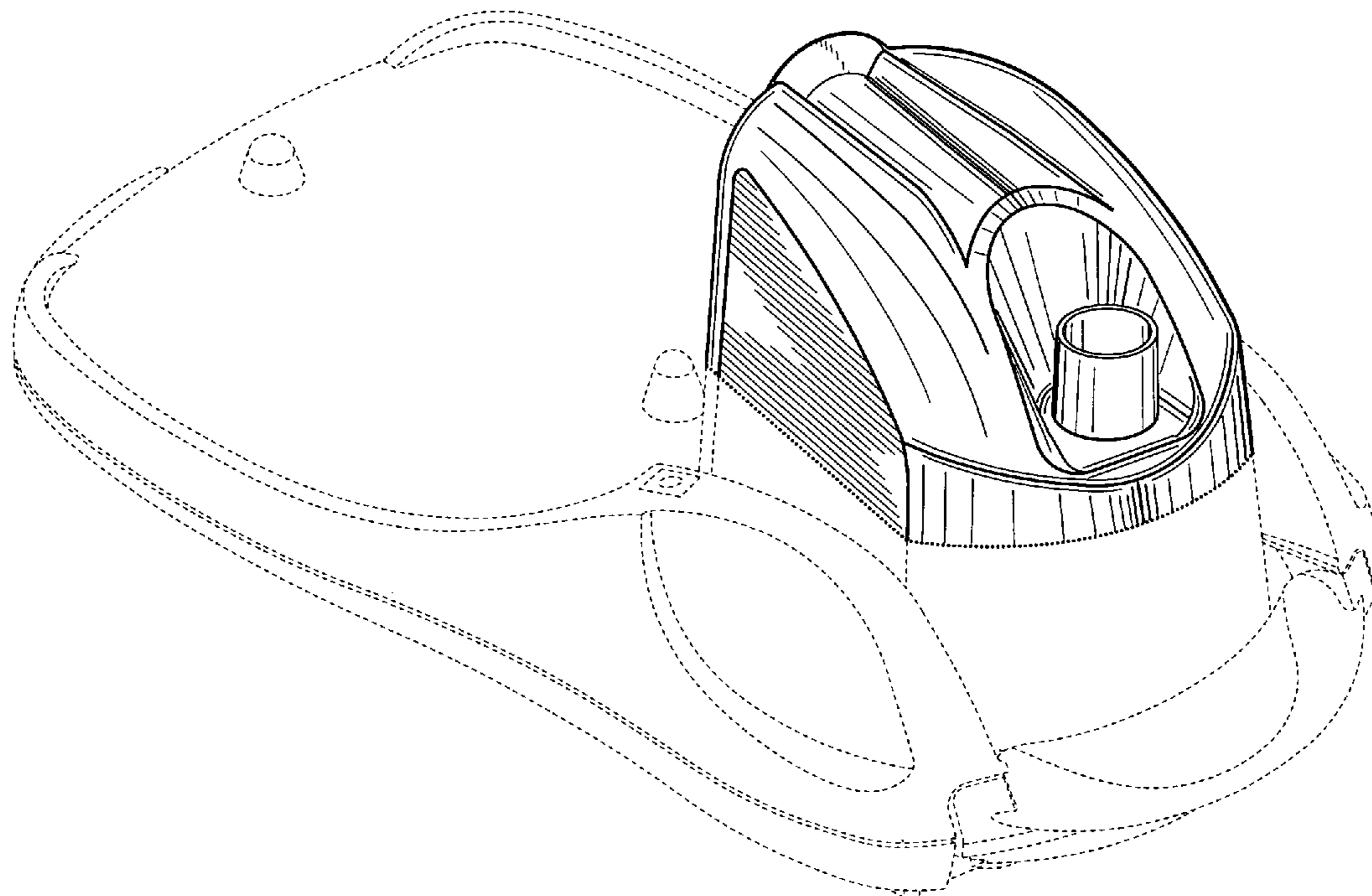
FIG. 4 is a top view thereof;

FIG. 5 is a right side view thereof; and,

FIG. 6 is a left side view thereof.

Where included, broken lines showing environment or struc-  
ture are for illustrative purposes only and form no part of the  
claimed design. Where included, dotted lines represent the  
border between claimed and non-claimed subject matter and  
form no part of the claimed design.

**1 Claim, 5 Drawing Sheets**



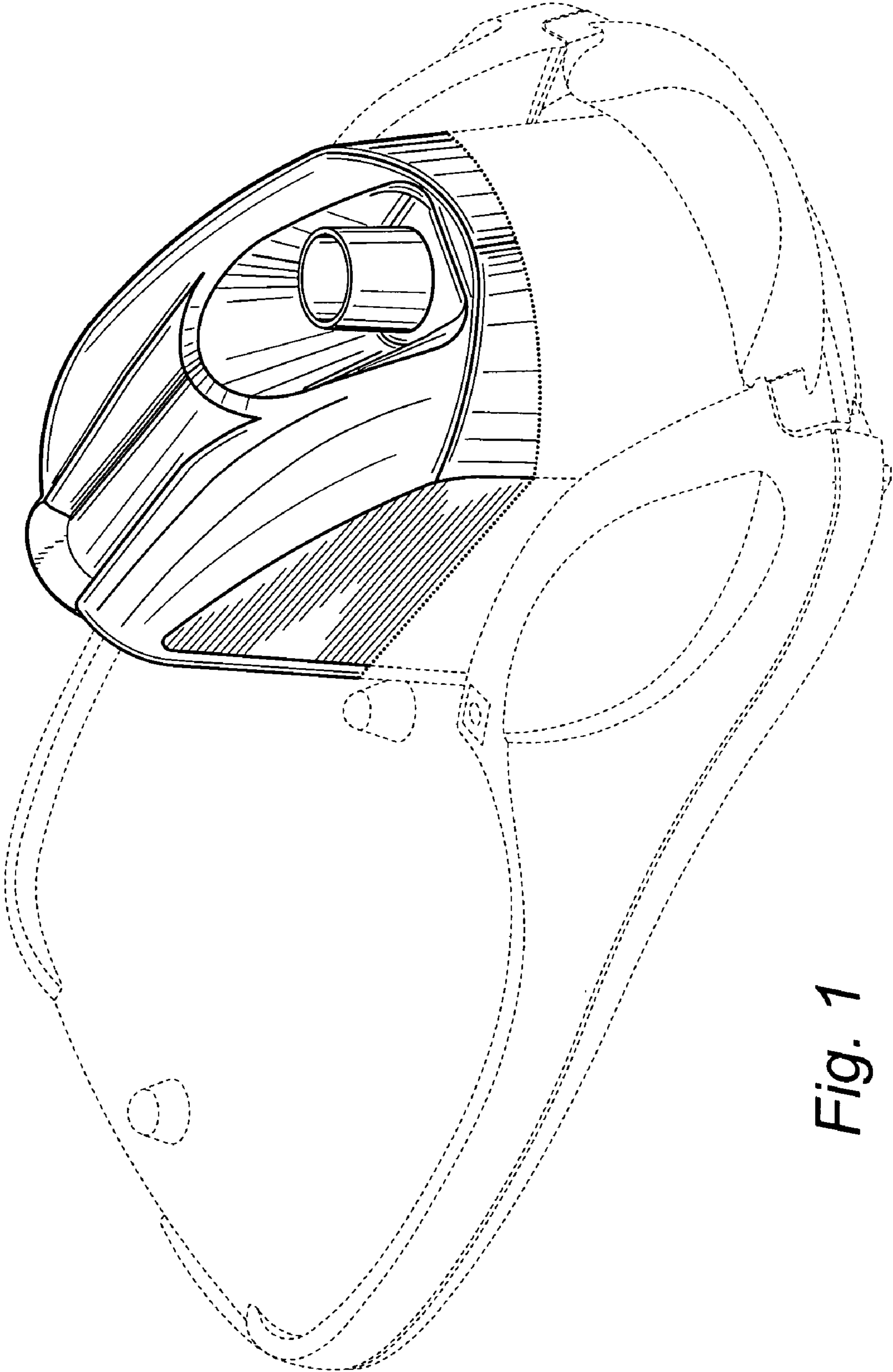
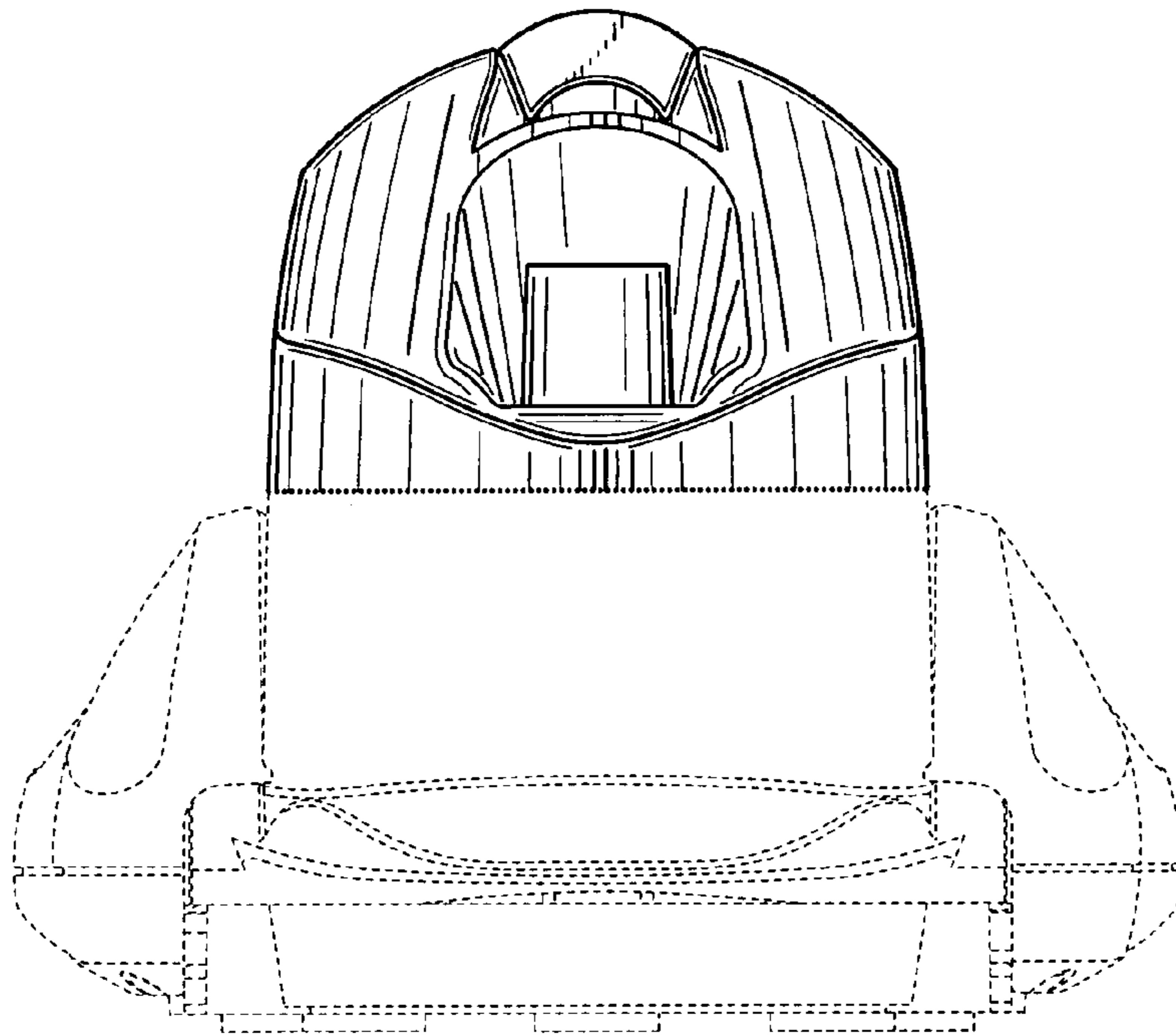
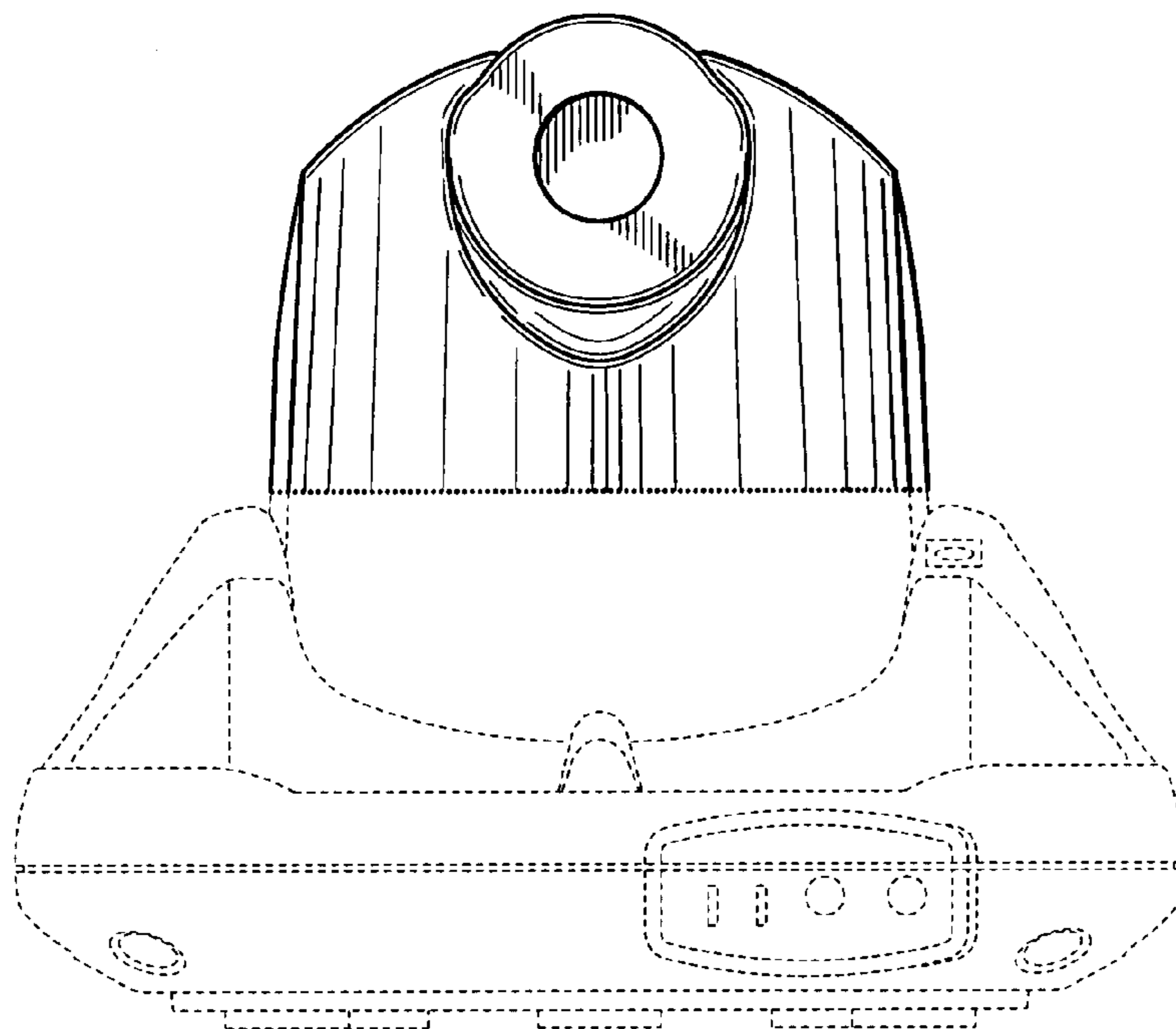


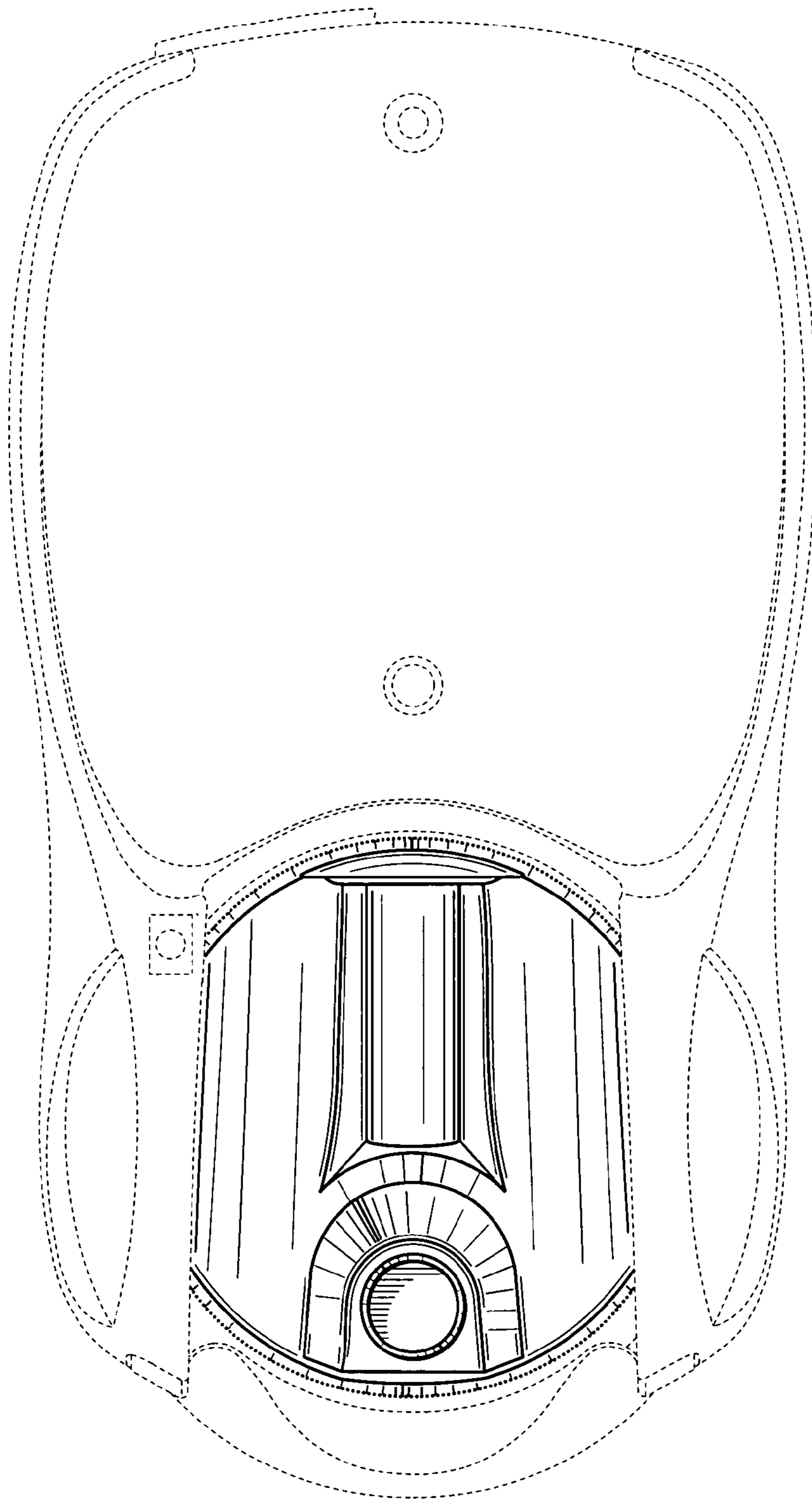
Fig. 1



*Fig. 2*



*Fig. 3*



*Fig. 4*

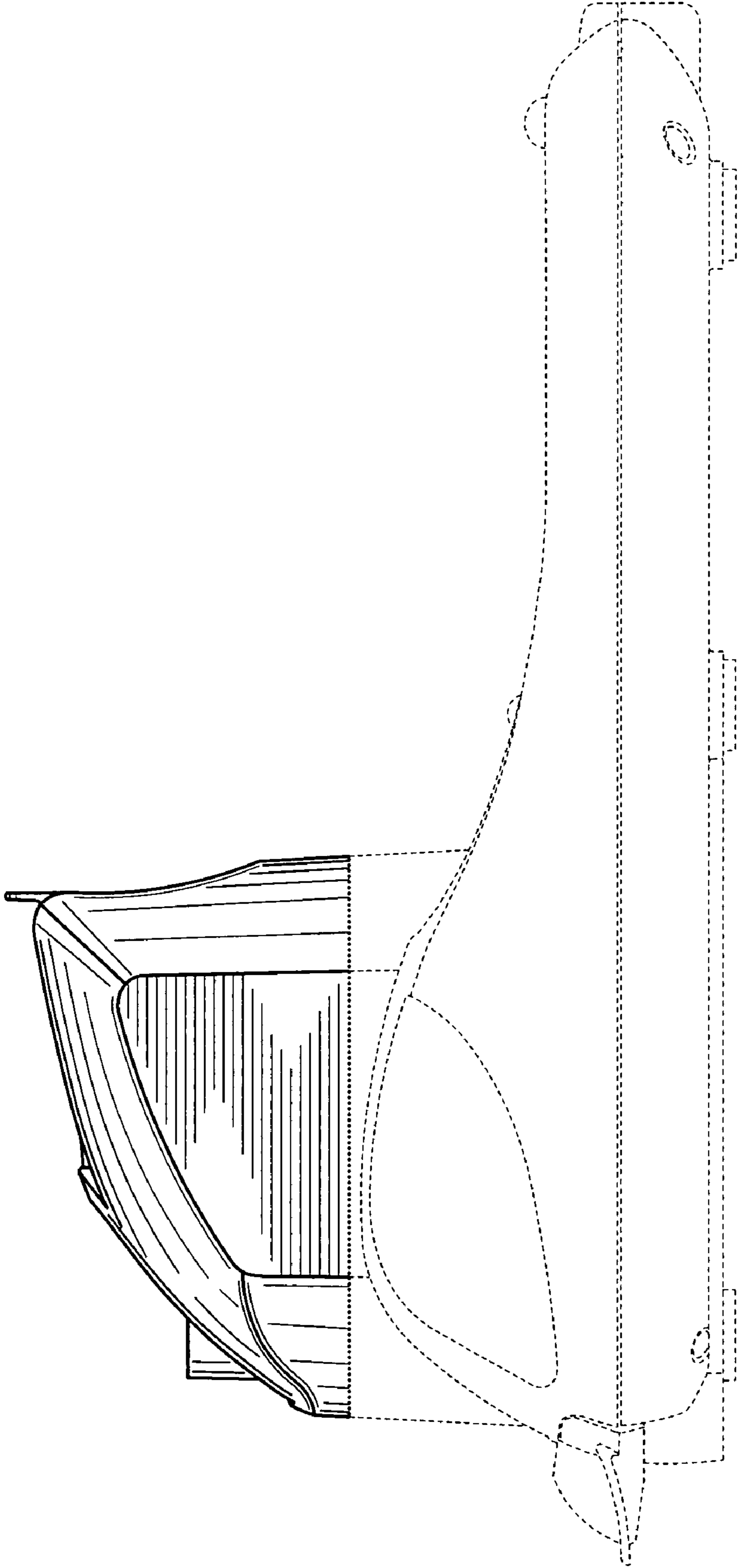


Fig. 5

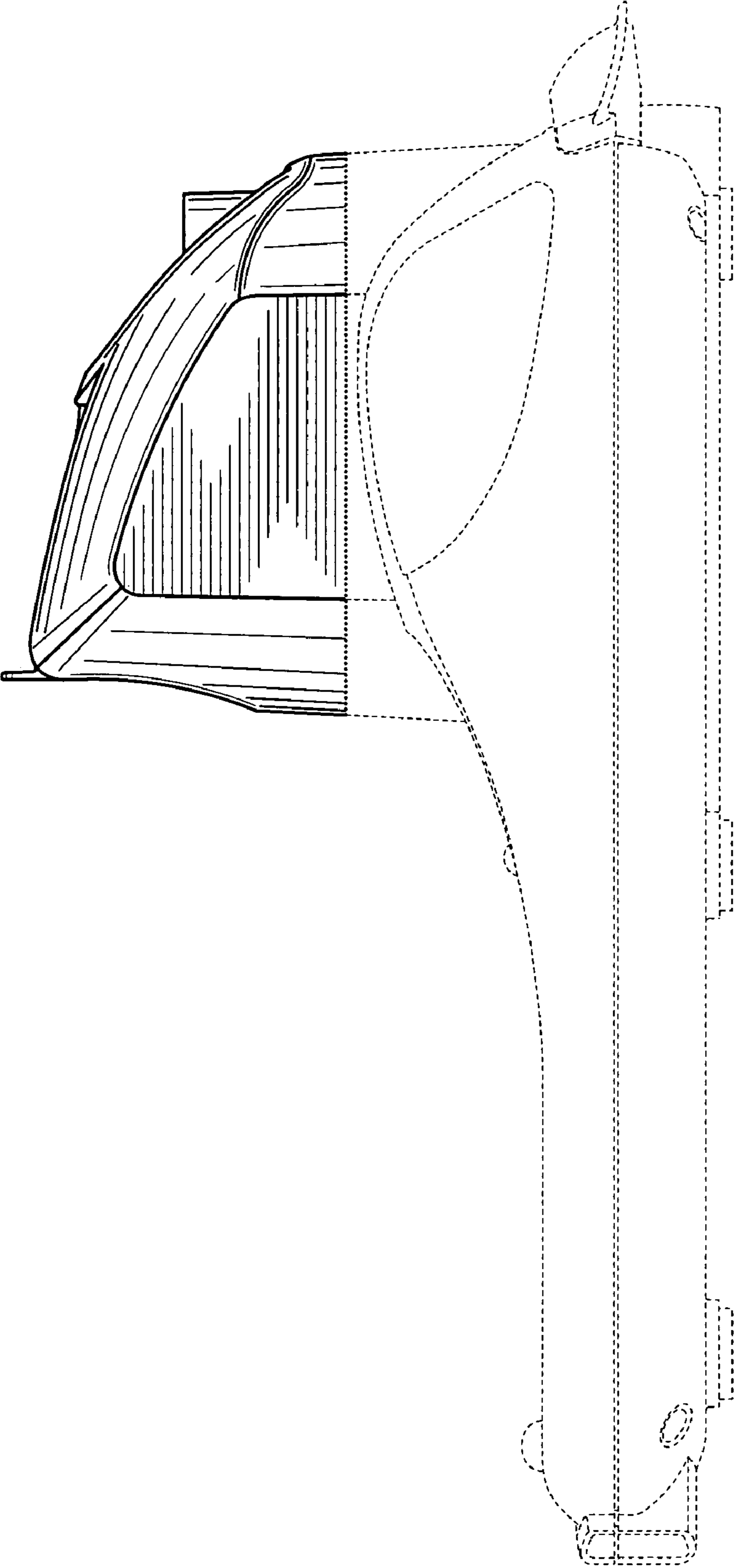


Fig. 6