



US00D569955S

(12) **United States Design Patent**  
**Chen**

(10) **Patent No.:** **US D569,955 S**

(45) **Date of Patent:** **\*\* May 27, 2008**

(54) **FAST CONNECTOR**

(75) **Inventor:** **Chin-Yuan Chen**, Changhua Hsien (TW)

(73) **Assignee:** **Shin Tai Spurt Water of the Garden Tools Co., Ltd**, Changhua Hsien (TW)

(\*\*) **Term:** **14 Years**

(21) **Appl. No.:** **29/266,396**

(22) **Filed:** **Sep. 20, 2006**

(51) **LOC (8) Cl.** ..... **23-01**

(52) **U.S. Cl.** ..... **D23/262**

(58) **Field of Classification Search** ..... D23/259–262;  
285/34–35, 38, 158.22, 144.1, 145.2, 148.1,  
285/148.22, 272, 322

See application file for complete search history.

(56) **References Cited**

**U.S. PATENT DOCUMENTS**

D229,496 S *	12/1973	Hand	.....	D23/262
D362,900 S *	10/1995	Miska	.....	D23/260
D397,413 S *	8/1998	Sapp	.....	D23/262
6,102,445 A *	8/2000	Thomas	.....	285/139.1
D457,604 S *	5/2002	Chen	.....	D23/262
D475,768 S *	6/2003	Walker	.....	D23/262
D482,761 S *	11/2003	Gotoh et al.	.....	D23/262

D517,667 S *	3/2006	Sener et al.	.....	D23/262
D521,614 S *	5/2006	Kitagawa	.....	D23/262
D522,109 S *	5/2006	White et al.	.....	D23/262
D554,237 S *	10/2007	Lewis et al.	.....	D23/259

\* cited by examiner

*Primary Examiner*—Louis S Zarfaz

*Assistant Examiner*—Eric L Goodman

(74) *Attorney, Agent, or Firm*—Alan Kamrath; Kamrath & Associates PA

(57) **CLAIM**

The ornamental design for a fast connector, as shown and described.

**DESCRIPTION**

FIG. 1 is a perspective view of a fast connector showing my design;

FIG. 2 is a front elevational view thereof;

FIG. 3 is a rear elevational view thereof;

FIG. 4 is a left side elevational view thereof;

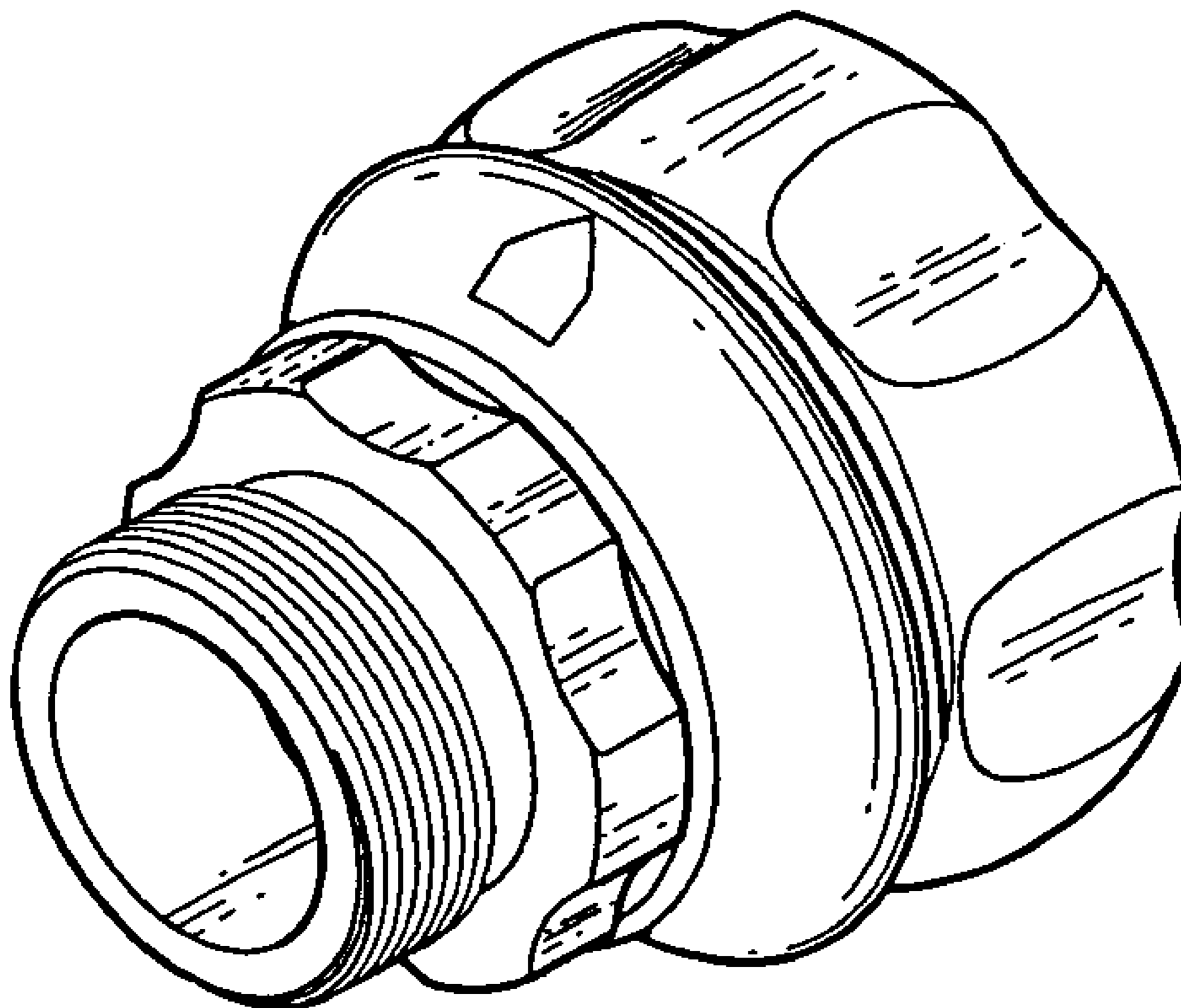
FIG. 5 is a right side elevational view thereof;

FIG. 6 is a top plan view thereof;

FIG. 7 is a bottom plan view thereof; and,

FIG. 8 is an exploded perspective view of FIG. 1 thereof.

**1 Claim, 5 Drawing Sheets**



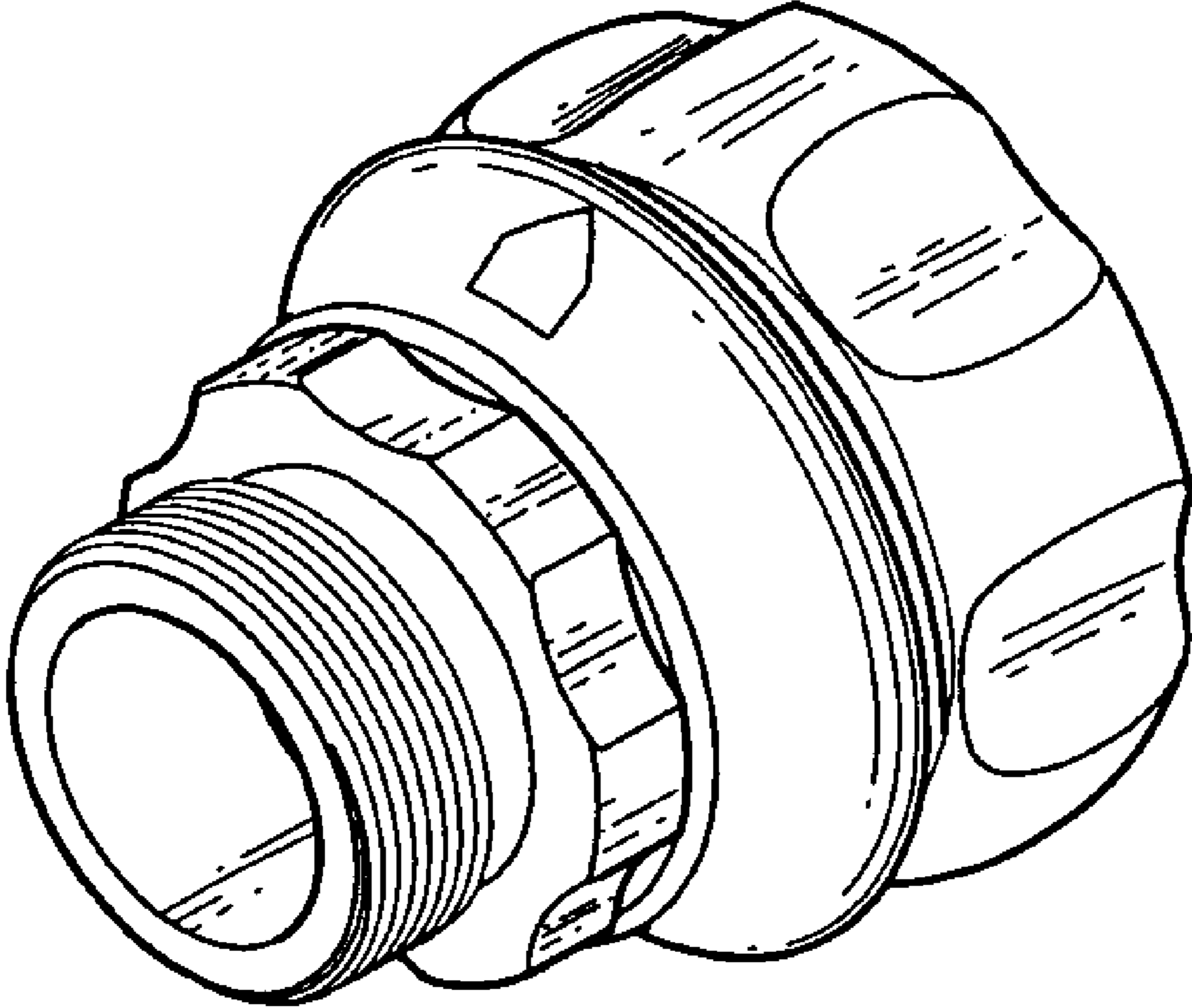


FIG.1

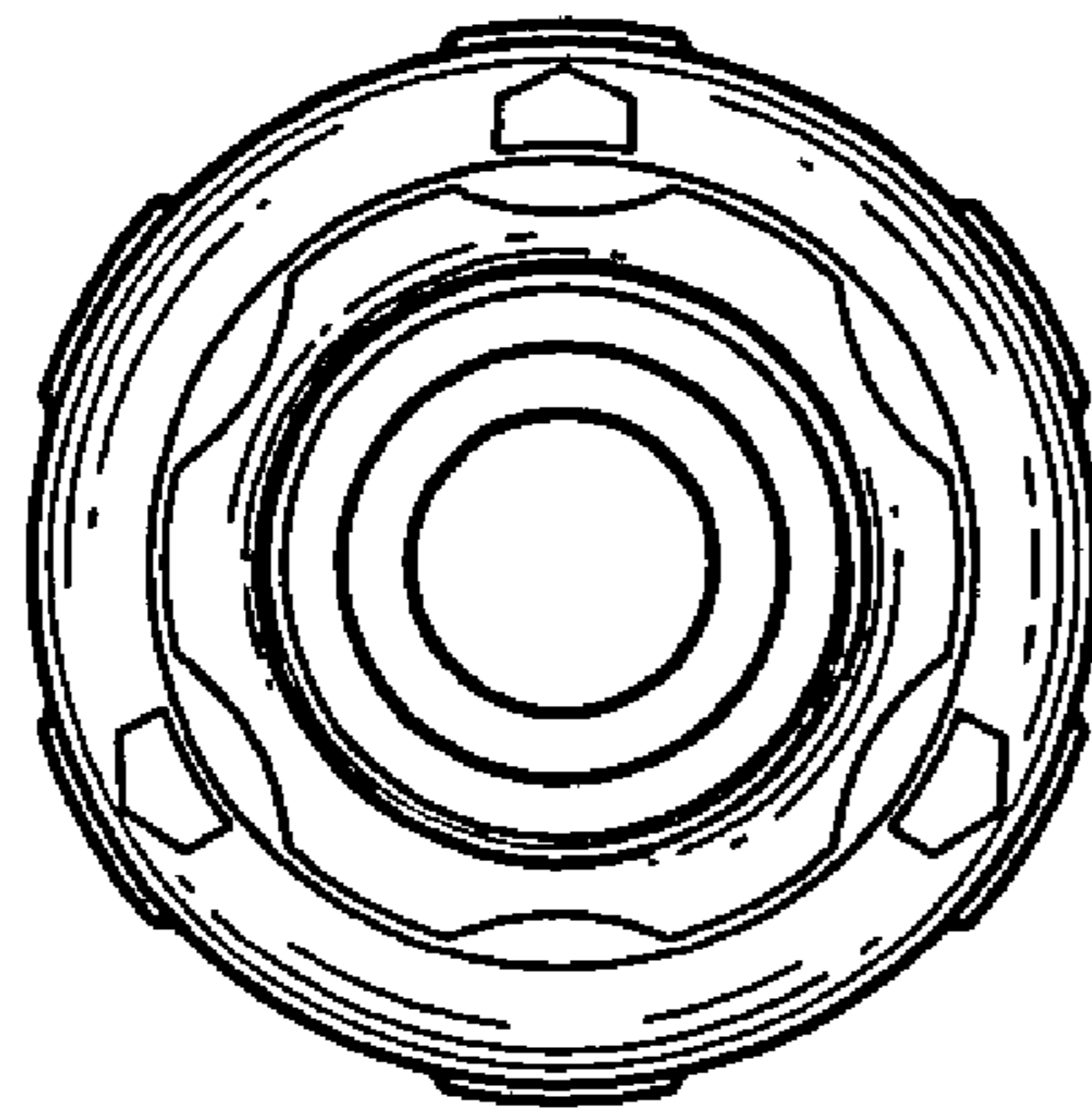


FIG.2

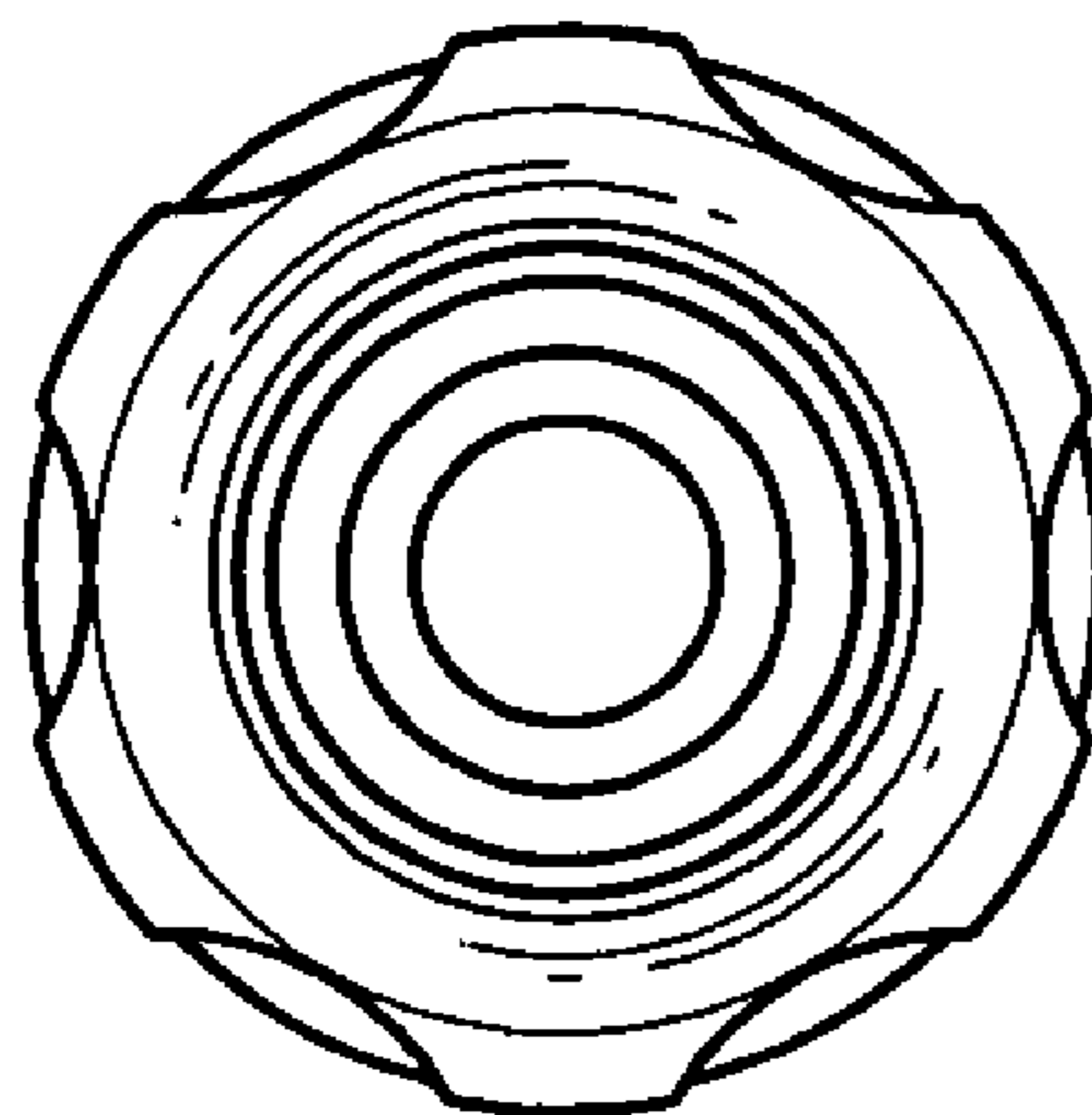


FIG.3

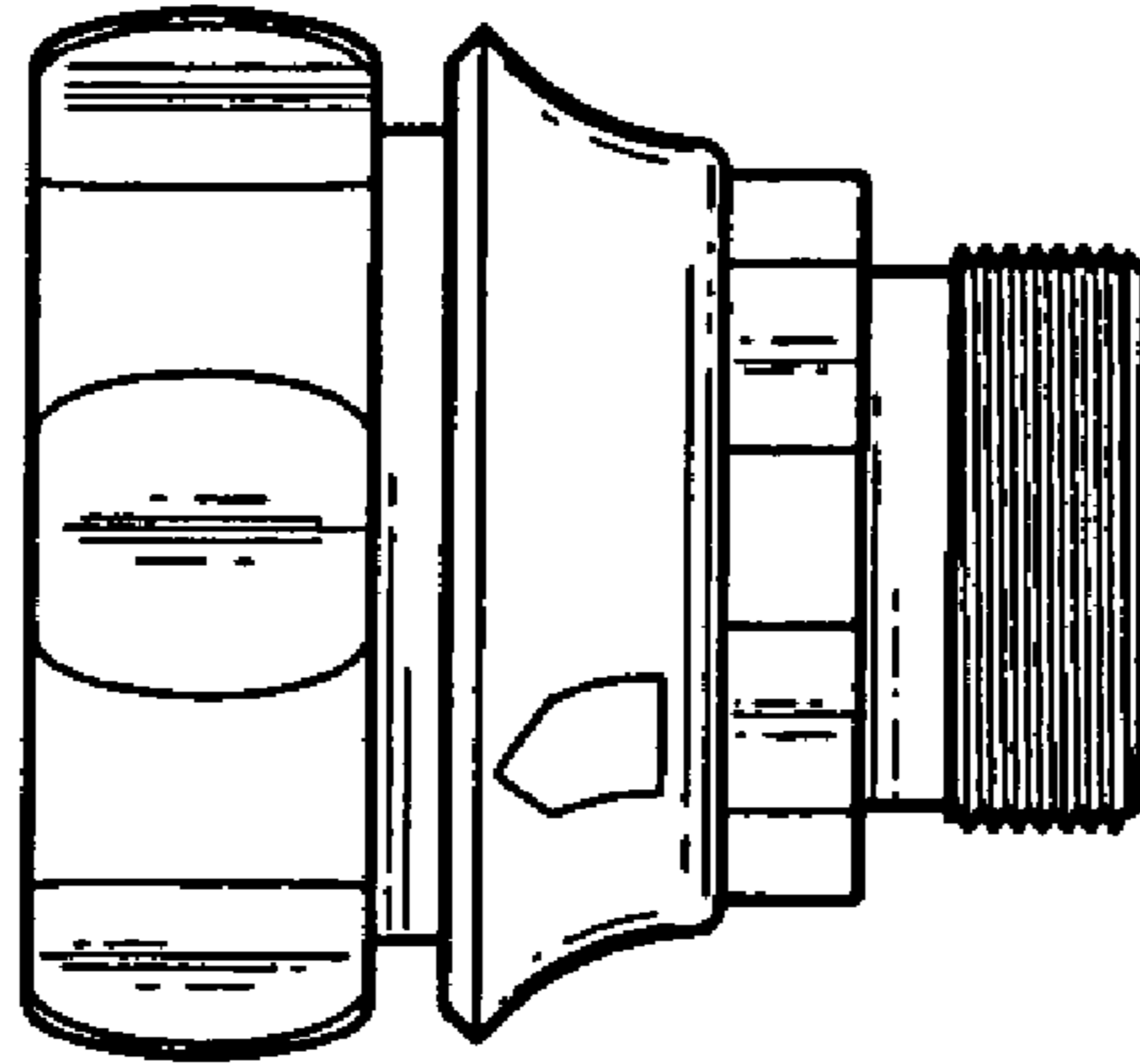


FIG. 4

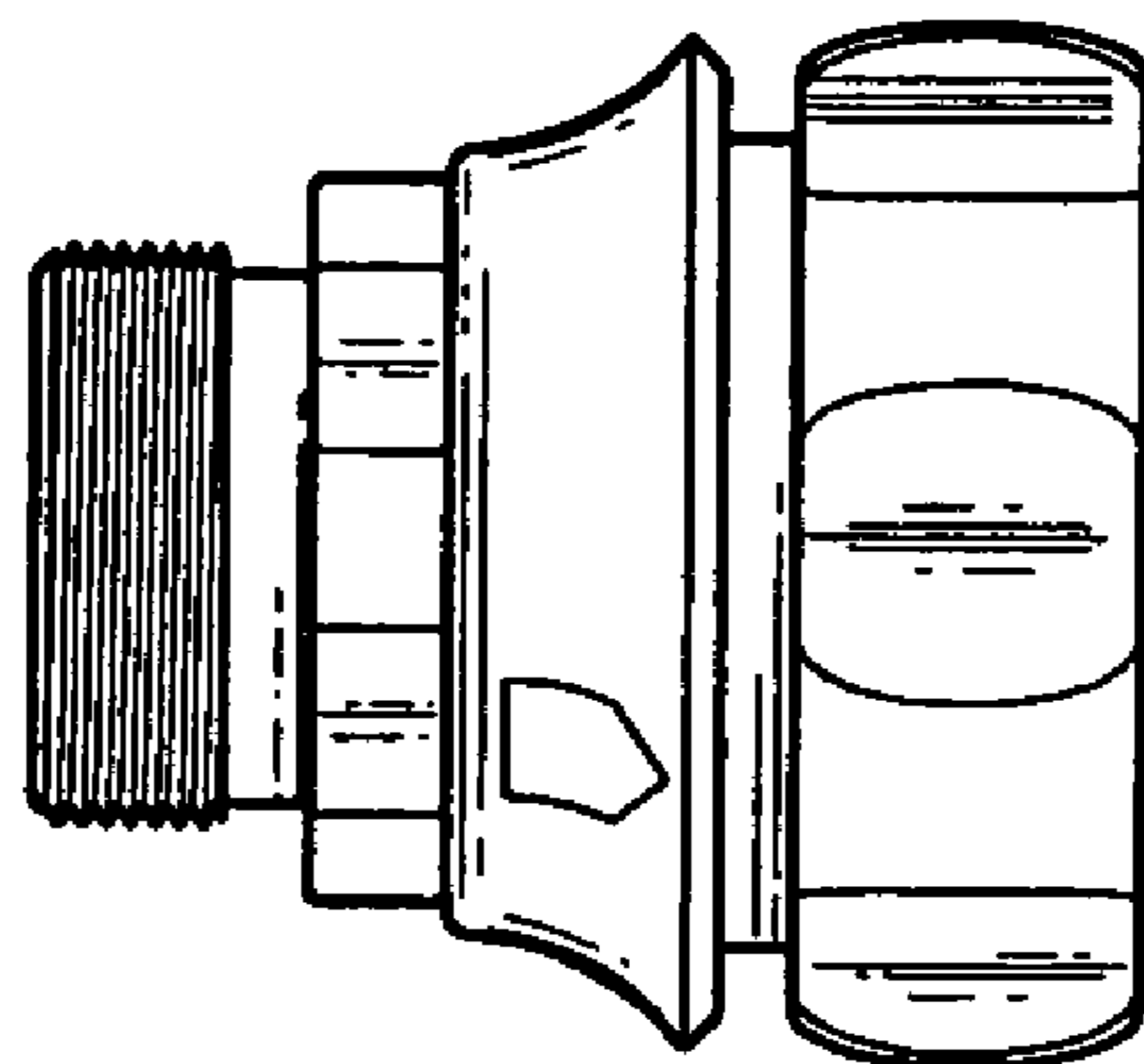


FIG. 5

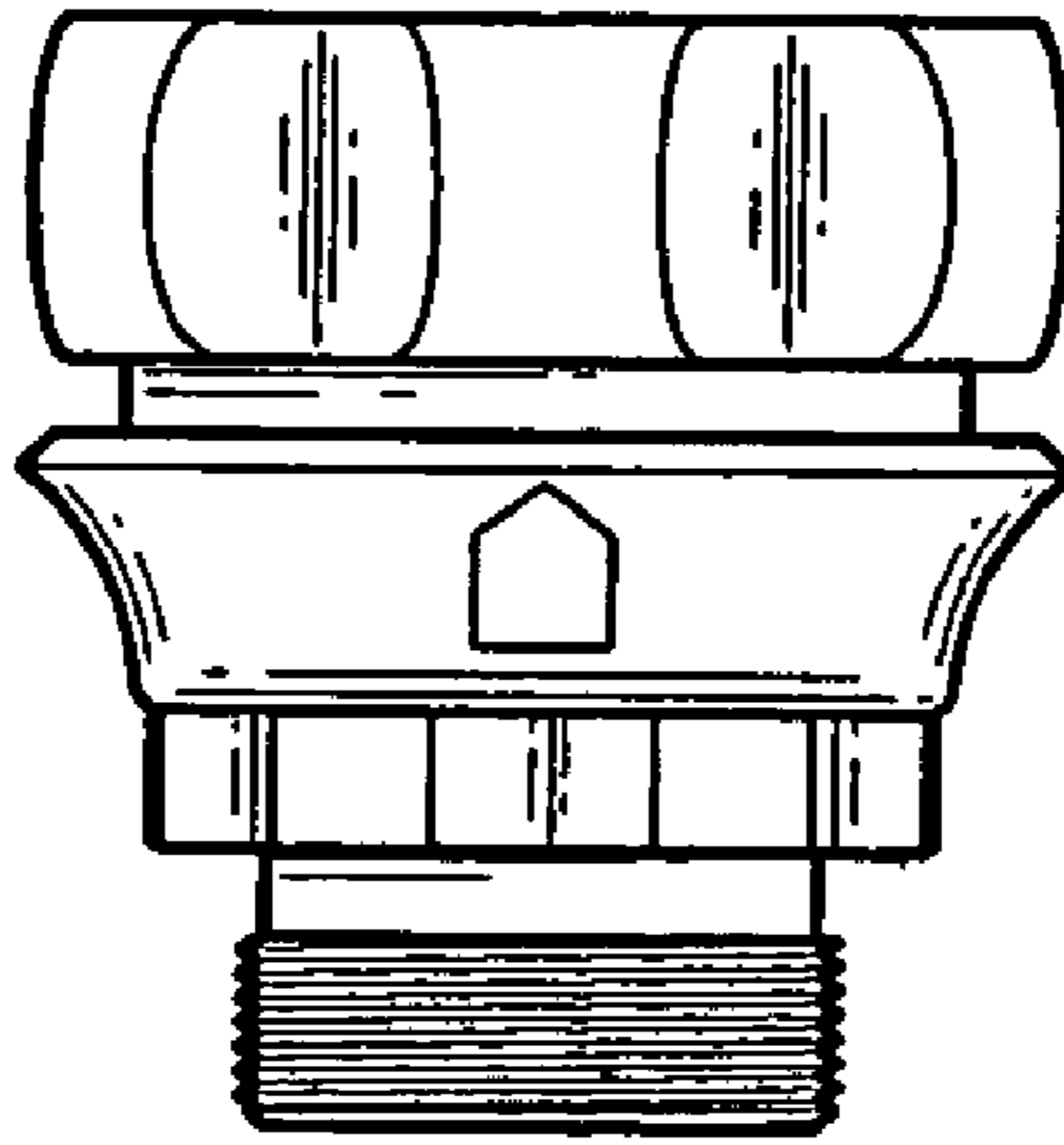


FIG. 6

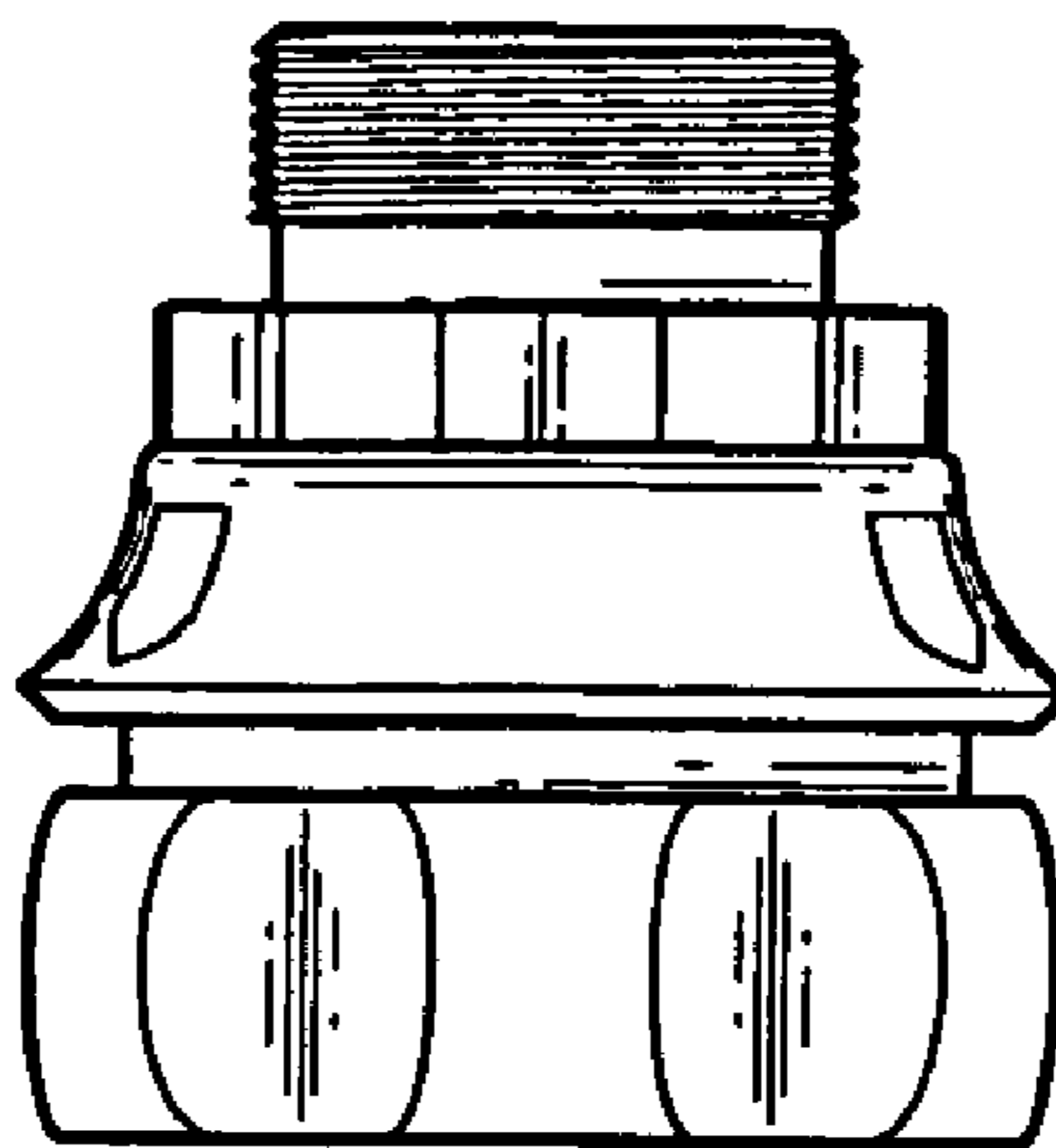


FIG. 7

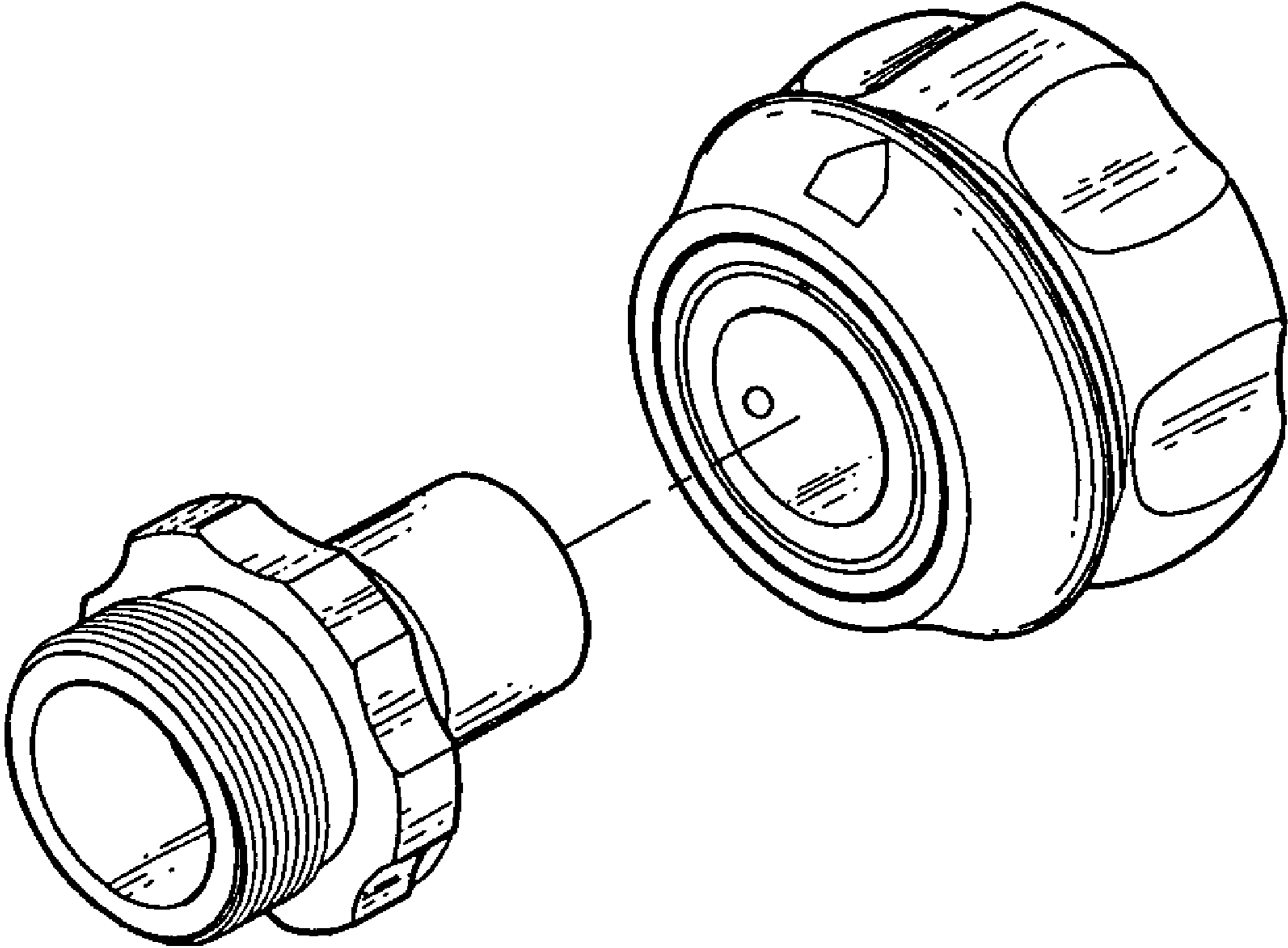


FIG.8