



US00D569953S

(12) **United States Design Patent**
Dolan

(10) **Patent No.:** **US D569,953 S**

(45) **Date of Patent:** **** May 27, 2008**

(54) **FAUCET HANDLE HUB**

(76) **Inventor:** **Patrick S. Dolan**, 2700 NW. Front Ave., Portland, OR (US) 97210

(**) **Term:** **14 Years**

(21) **Appl. No.:** **29/270,977**

(22) **Filed:** **Jan. 5, 2007**

(51) **LOC (8) Cl.** **23-02**

(52) **U.S. Cl.** **D23/250**

(58) **Field of Classification Search** D23/250-257,
D23/238-243, 244-249; 4/675-678; D8/300,
D8/307-308, 310-312, 321; D6/550; 137/801;
16/110.1, 441

See application file for complete search history.

(56) **References Cited**

U.S. PATENT DOCUMENTS

D83,924 S	4/1931	Sakier	
D346,013 S	4/1994	McKeone	
D455,196 S	4/2002	Caplow	
D456,063 S	4/2002	McKeone	
D466,985 S	12/2002	McKeone	
D476,064 S	6/2003	Smith	
D493,213 S	7/2004	Svensen	
D518,323 S *	4/2006	Qu et al. D6/550
D522,103 S	5/2006	Hoernig	
D522,624 S	6/2006	Koury	
D533,643 S	12/2006	Veltz	

OTHER PUBLICATIONS

AY 1229-D, AIHUI, Yuan, filed Jan. 5, 2007.
AY 1229-F, AIHUI, Yuan, filed Jan. 5, 2007.
Sonoma Model: CIXX Series As on website: www.homeportfolio.com Oct. 27, 2006.
THG Paris Model: 151 As on website: www.homeportfolio.com Oct. 27, 2006.
Hamat Model: 280222/1 As on website: www.faucetdirect.com Oct. 20, 2006.

* cited by examiner

Primary Examiner—Robert A Delehanty

(57) **CLAIM**

The ornamental design for a faucet handle hub, as shown and described.

DESCRIPTION

FIG. 1 is a perspective view of a faucet handle hub showing my new design;

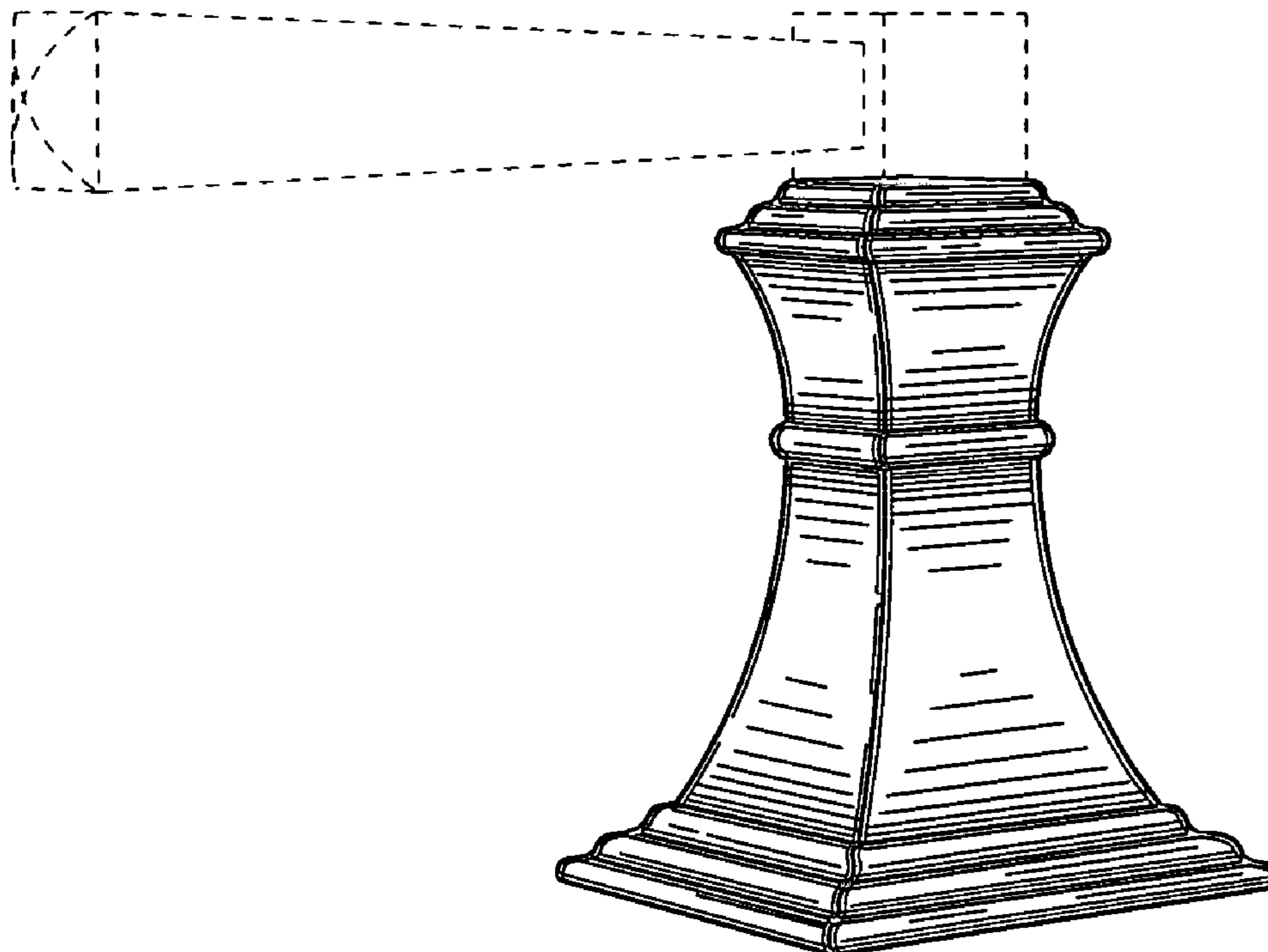
FIG. 2 is a front elevational view thereof;

FIG. 3 is a right side view, the left side view being a mirror image thereof; and,

FIG. 4 is a top plan view thereof.

The broken line showing of environmental structure is for illustrative purposes only and forms no part of the claimed design.

1 Claim, 4 Drawing Sheets



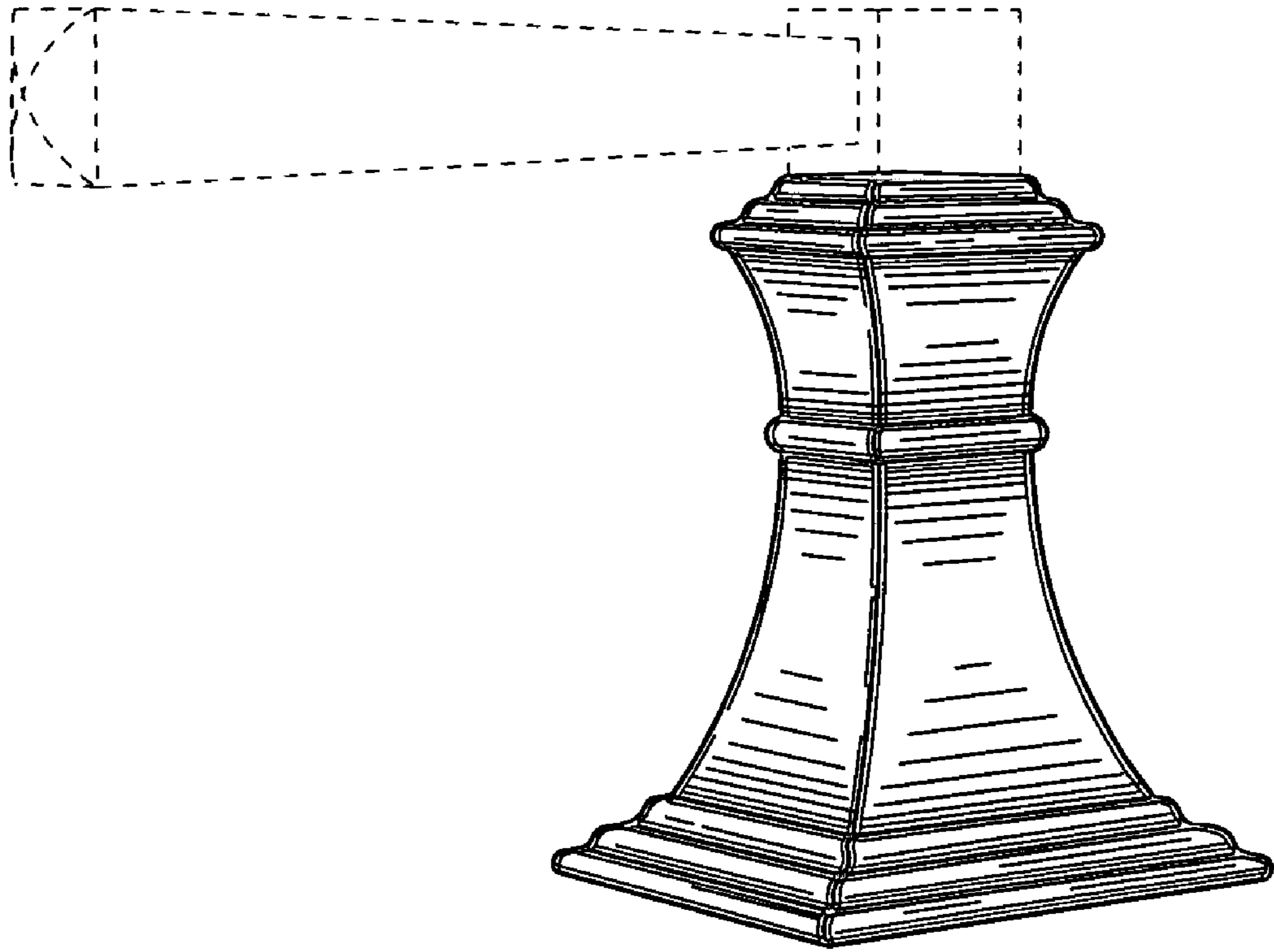


FIG. 1

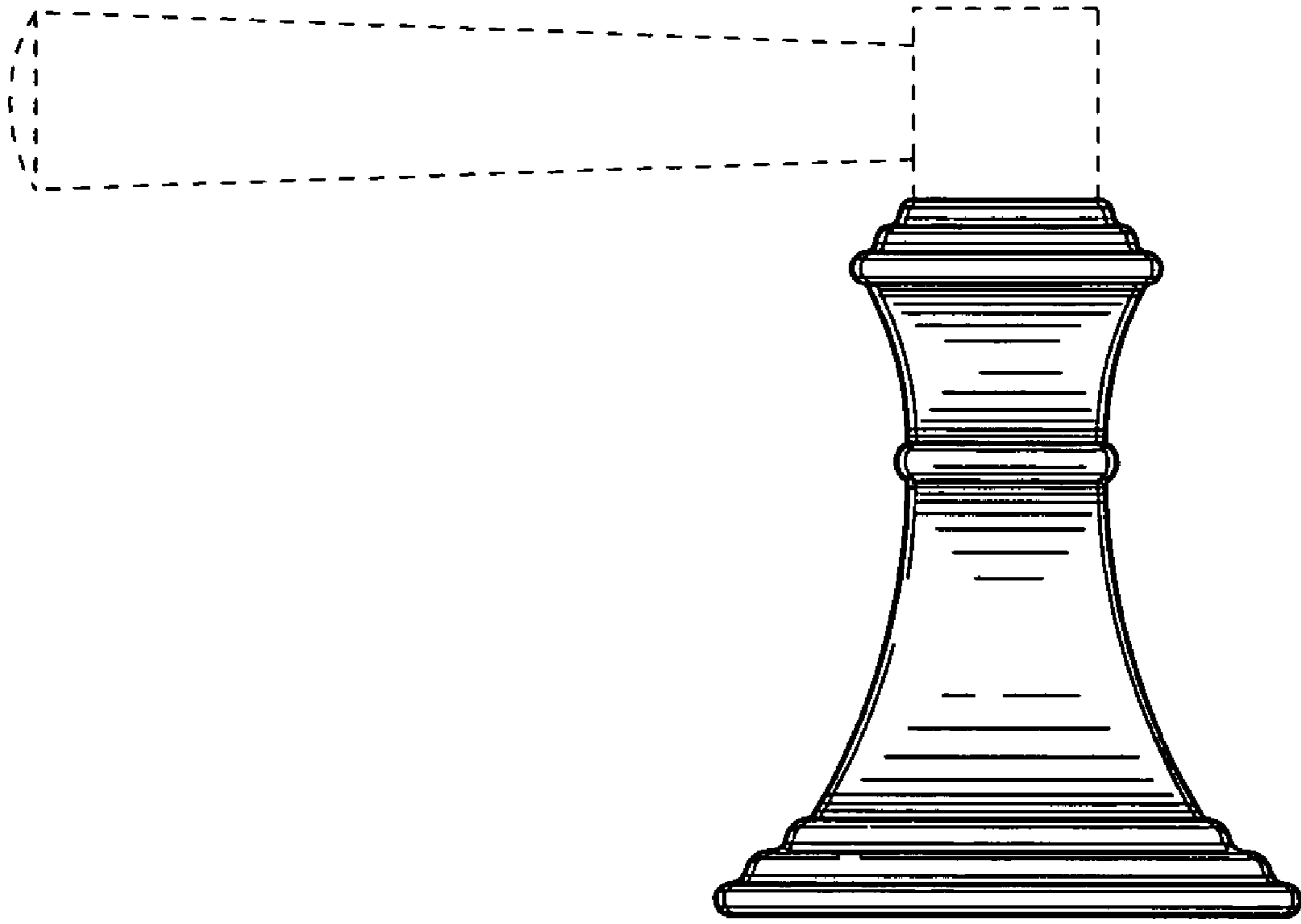


FIG. 2

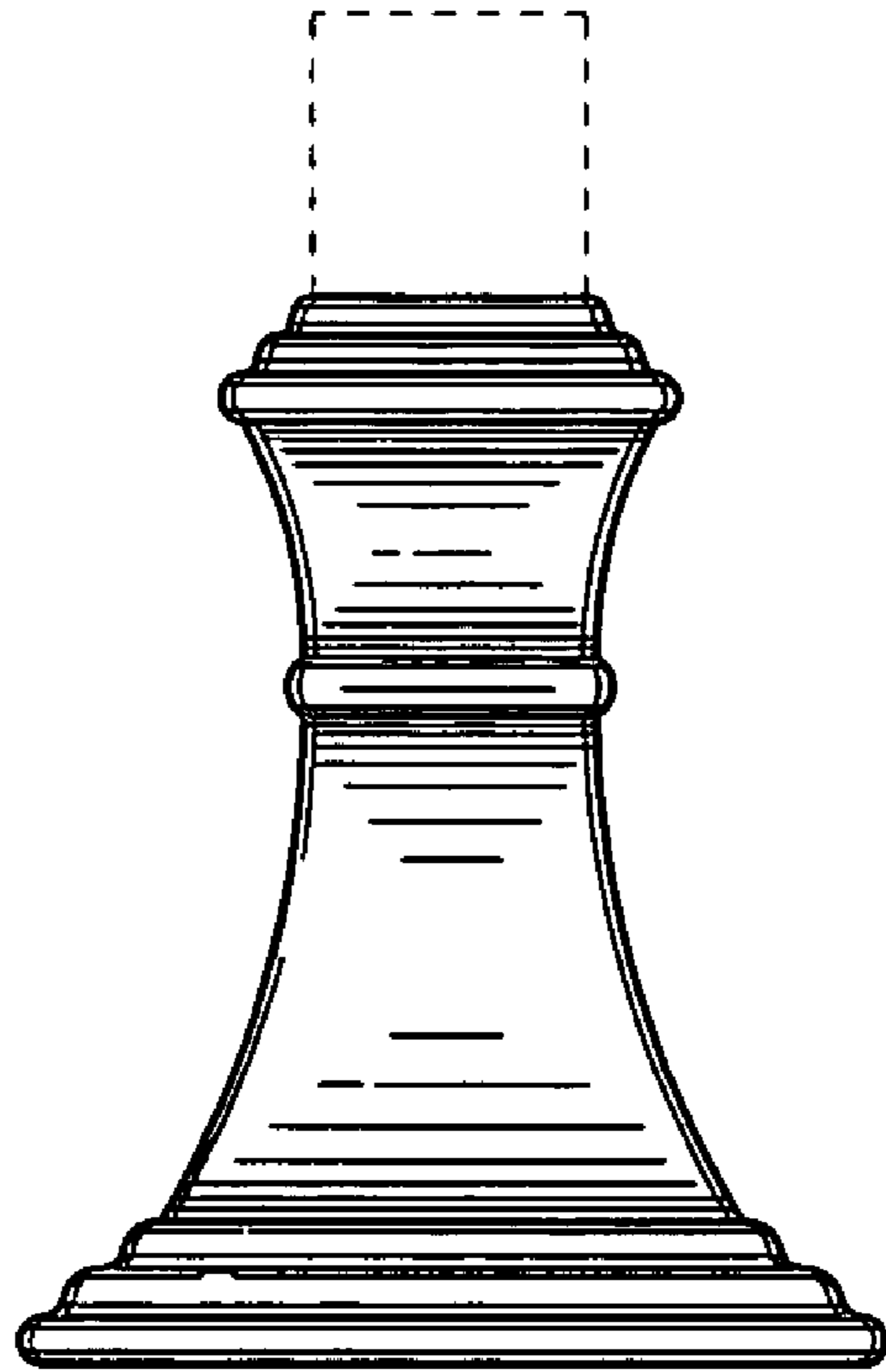


FIG. 3

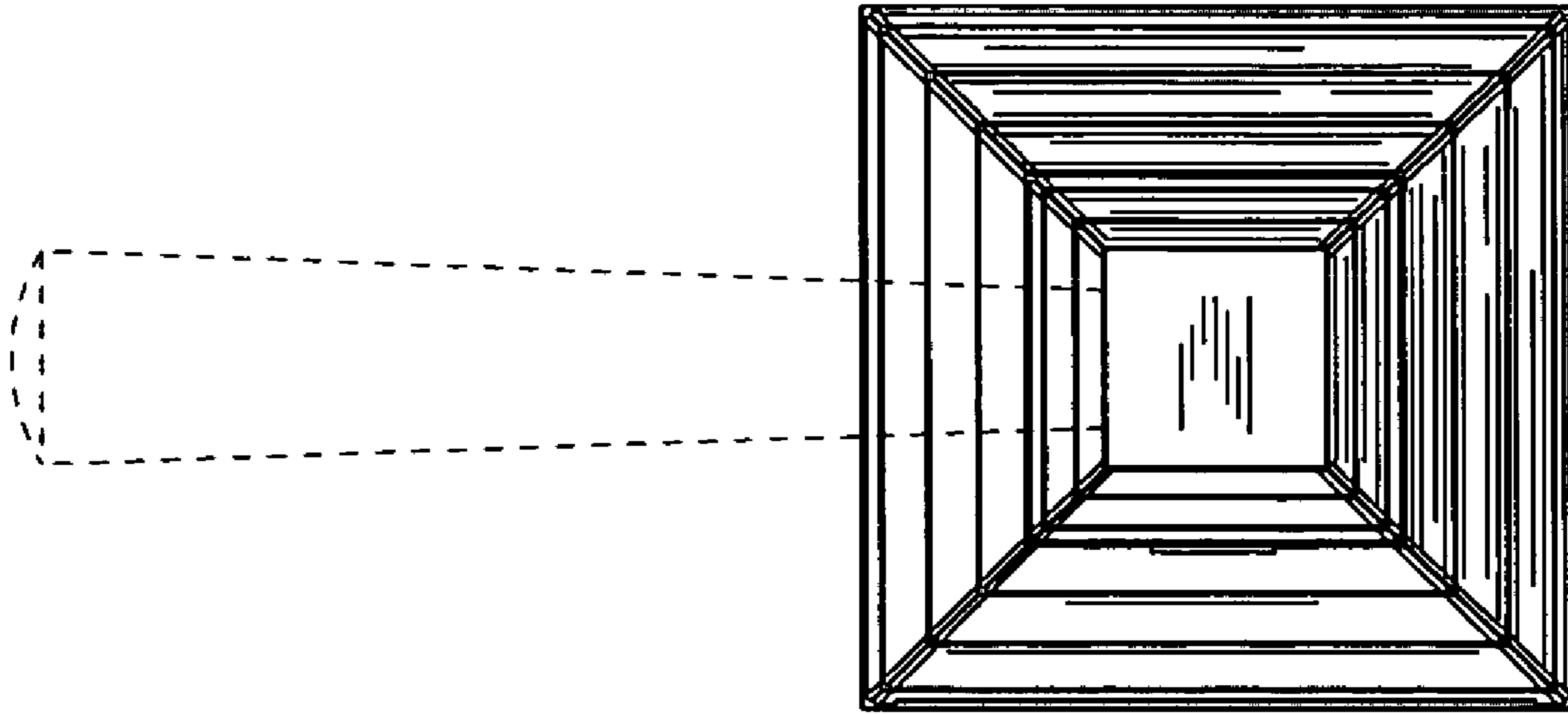


FIG. 4