

US00D569951S

(12) **United States Design Patent** (10) **Patent No.:** **US D569,951 S**
Dolan (45) **Date of Patent:** **** May 27, 2008**

(54) **FAUCET SPOUT HUB**
(76) Inventor: **Patrick S. Dolan**, 2700 NW. Front Ave., Portland, OR (US) 97210
(**) Term: **14 Years**
(21) Appl. No.: **29/270,973**
(22) Filed: **Jan. 5, 2007**
(51) **LOC (8) Cl.** **23-01**
(52) **U.S. Cl.** **D23/241**
(58) **Field of Classification Search** D23/250-257, D23/238-243, 244-249; 4/675-678; D8/300, D8/307-308, 310-312, 321; D6/550; 137/801; 16/110.1, 441
See application file for complete search history.

(56) **References Cited**
U.S. PATENT DOCUMENTS

D332,824 S	1/1993	Robbins	
D349,330 S	8/1994	Sauter	
D350,390 S	9/1994	Bollenbacher	
D352,095 S	11/1994	Bollenbacher	
D365,384 S	12/1995	Robbins	
D371,826 S	7/1996	Robbins	
D375,149 S	10/1996	Robbins	
D375,345 S	11/1996	Warshawsky	
D407,466 S	3/1999	Hundley	
D412,025 S	7/1999	Mark	
D437,394 S	2/2001	Mark	
D443,919 S	6/2001	Lord	
D444,542 S	7/2001	Burns	
D461,532 S	8/2002	Ouyoung	
D462,749 S	9/2002	Lord	
D465,008 S	10/2002	Lord	
D466,981 S	12/2002	Cosolito	
D472,607 S	4/2003	Warshawsky	
D483,093 S	12/2003	Bates	
D491,639 S	6/2004	Egee	
D498,290 S *	11/2004	Egee	D23/250
D501,346 S	2/2005	Gilbert	
D509,285 S	9/2005	Blattner	
D513,310 S	12/2005	Kulig	
D514,201 S	1/2006	Kulig	
D526,702 S *	8/2006	Kosasih	D23/252

D530,791 S * 10/2006 Kohler et al. D23/254

OTHER PUBLICATIONS

Newport Bass, Model: 1030-01, As on website: www.faucetdepot.com, Oct. 17, 2006.
Kohler, Model: K161114A, As on website: www.faucet.com, Jan. 3, 2007.
Bach, Model: BL402, As on website: www.faucetdirect.com, Oct. 20, 2006.
Paul Decorative Products, Model: C731-00, As on website: www.faucetdirect.com, Oct. 20, 2006.
Pegasus, Model: 813-946, As on website: www.faucetdirect.com, Oct. 20, 2006.
Blanco, Model: 157-026, As on website: www.faucet.com, Jun. 2, 2006.
Etoile, Model: ETLS62, As on website: www.waterworks.com, Oct. 15, 2006.
Co-pending U.S. Appl. No. 29/270,978, filed Jan. 5, 2007, Patrick S Dolan.
Co-pending U.S. Appl. No. 29/270,954, filed Jan. 5, 2007, Alhul Yuan.
Co-pending U.S. Appl. No. 29/270,953, filed Jan. 5, 2007, Alhul Yuan.

* cited by examiner

Primary Examiner—Robert A. Delehanty

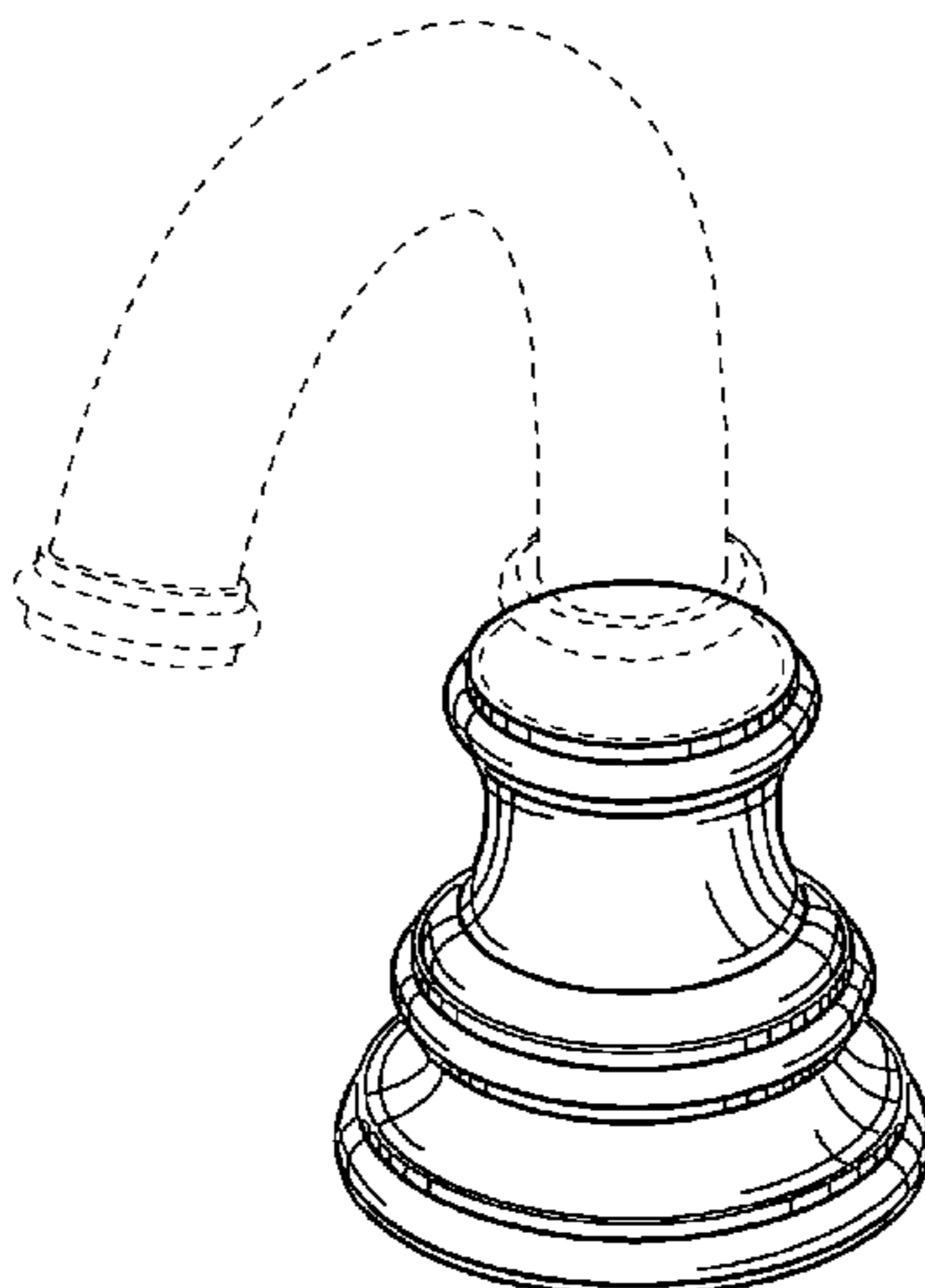
(57) **CLAIM**

The ornamental design for a faucet spout hub, as shown and described.

DESCRIPTION

FIG. 1 is a perspective view of a faucet spout hub showing my new design;
FIG. 2 is a front elevational view thereof;
FIG. 3 is a right side view, the left side view being a mirror image thereof; and,
FIG. 4 is a top plan view thereof.
The broken line showing of environmental structure is for illustrative purposes only and forms no part of the claimed design.

1 Claim, 4 Drawing Sheets



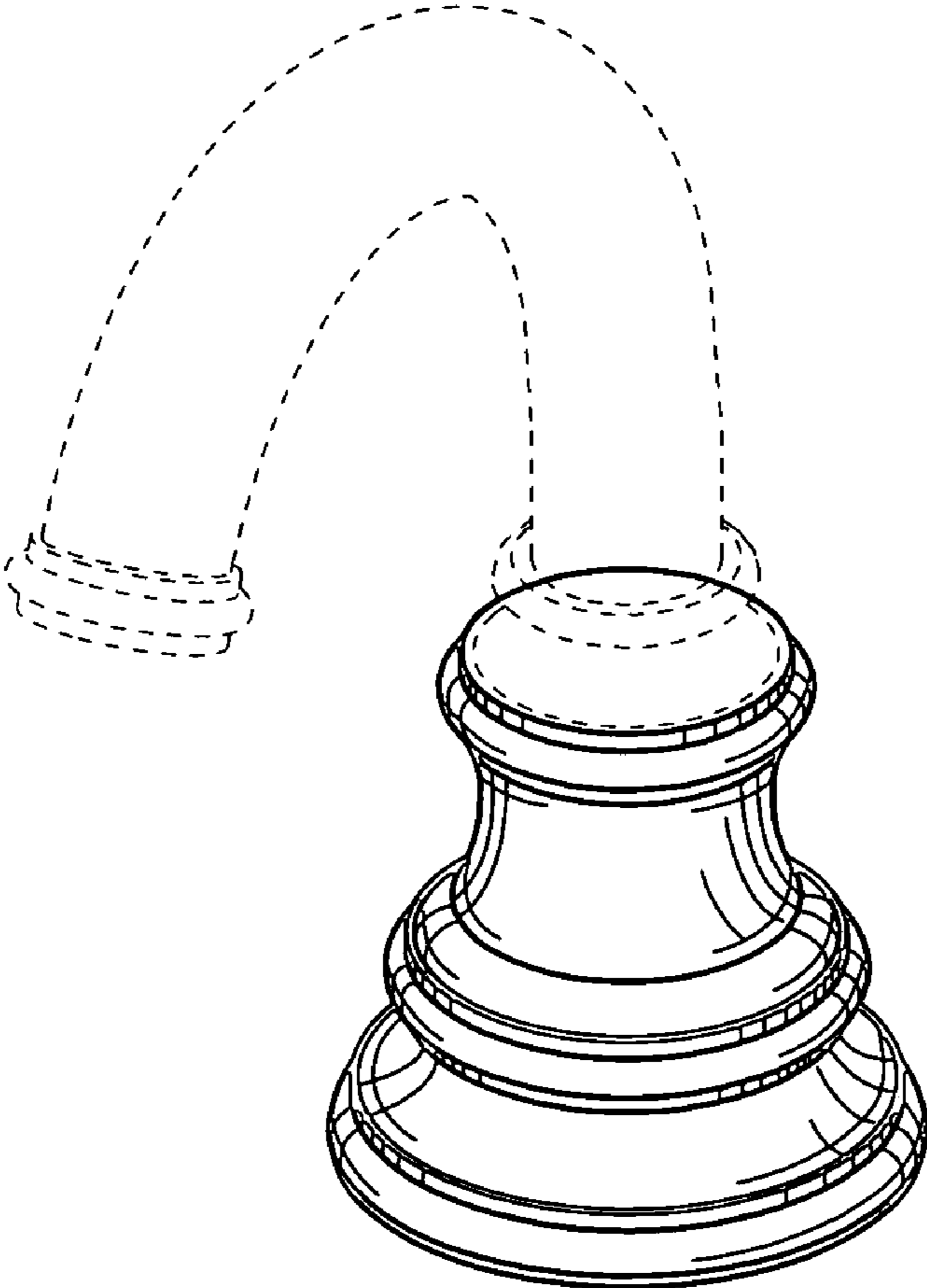


FIG. 1

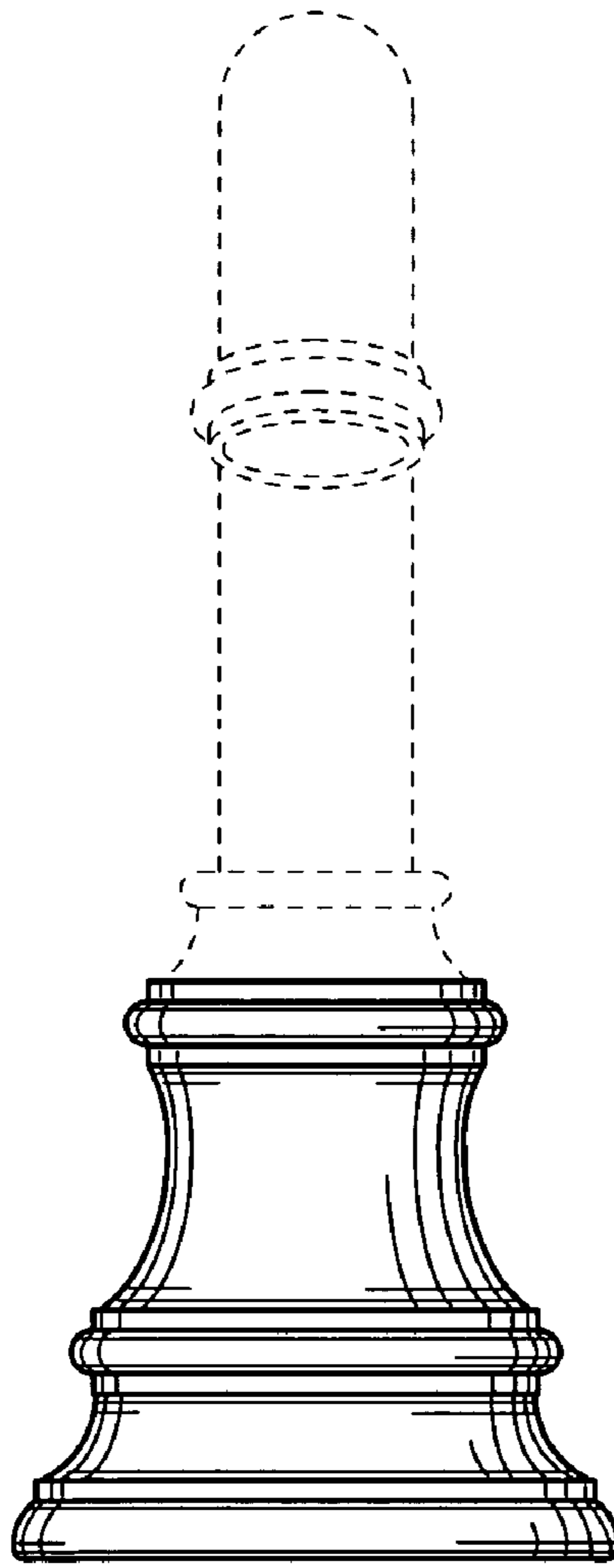


FIG. 2

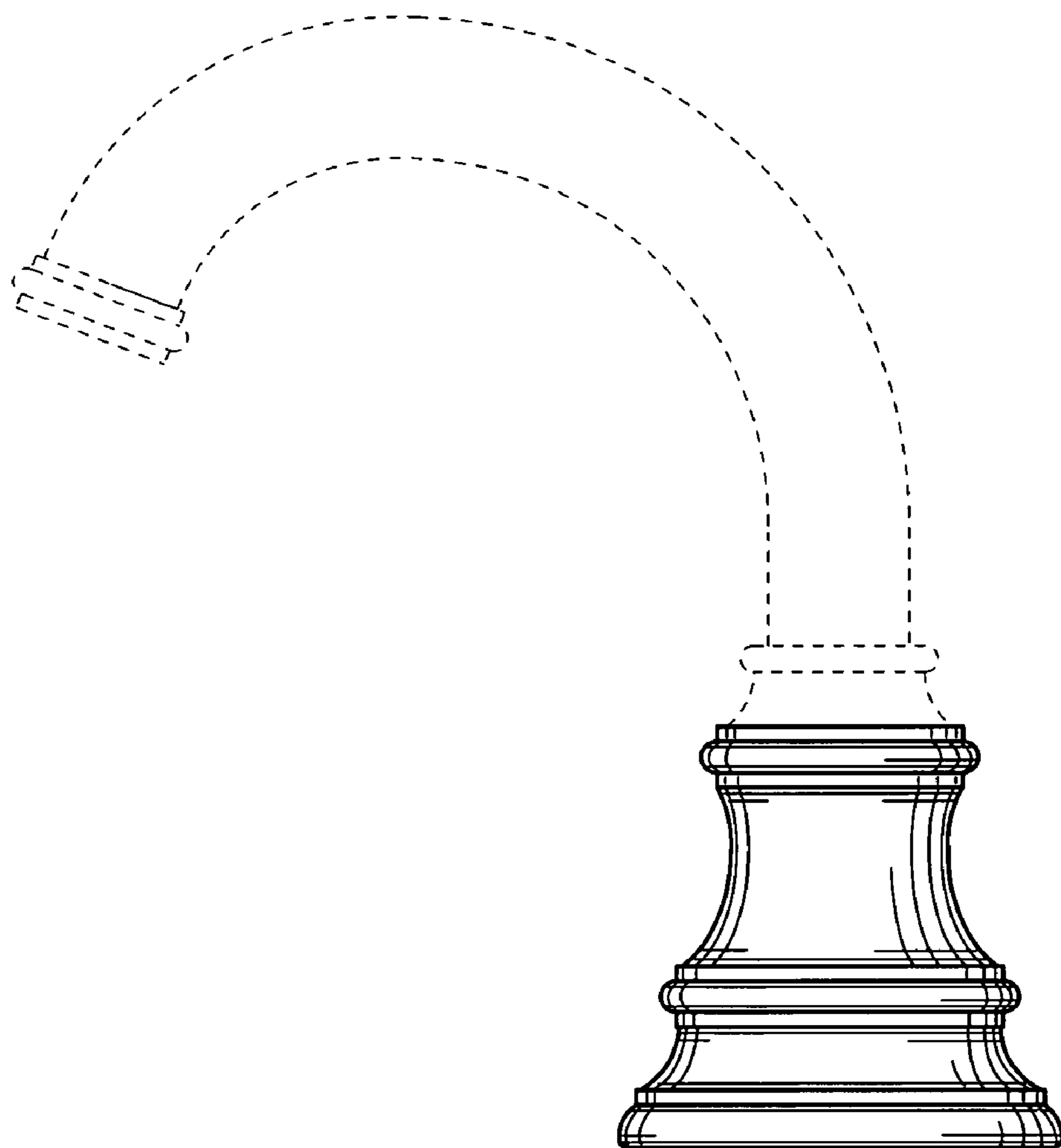


FIG. 3

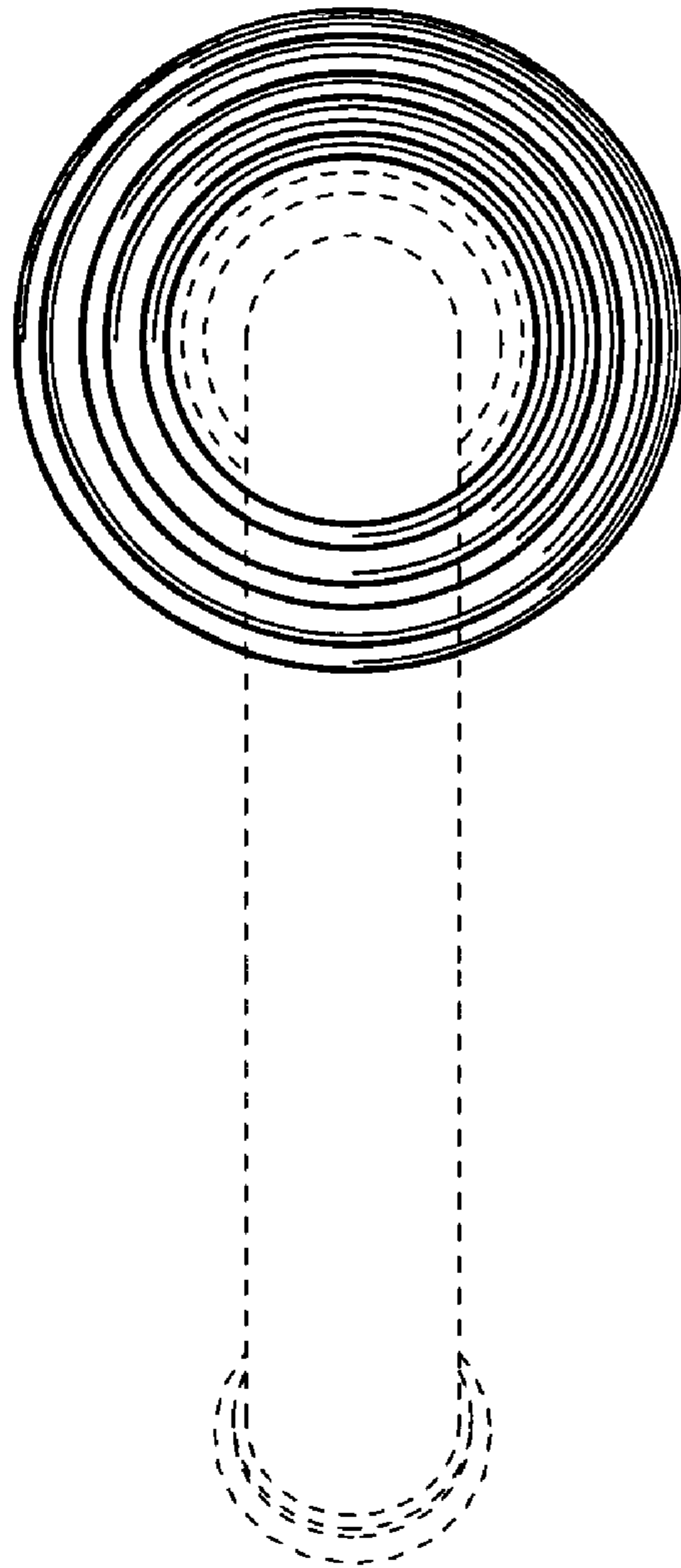


FIG. 4