

US00D569948S

(12) **United States Design Patent**  
**Noth et al.**

(10) **Patent No.: US D569,948 S**

(45) **Date of Patent: \*\* May 27, 2008**

(54) **MIXER TAP FOR A KITCHEN SINK**

(56) **References Cited**

(75) Inventors: **Winfried Noth**, Schwäbisch-Gmünd (DE); **Werner Egli**, Hüntwangen (CH)

U.S. PATENT DOCUMENTS

D553,714 S \* 10/2007 Demmer et al. .... D23/238  
\* cited by examiner

(73) Assignee: **ARWA AG**, Wallisellen (CH)

*Primary Examiner*—Robert A. Delehanty  
(74) *Attorney, Agent, or Firm*—Sughrue Mion, PLLC

(\*\*) Term: **14 Years**

(57) **CLAIM**

(21) Appl. No.: **29/262,580**

The ornamental design for a mixer tap for a kitchen sink, as shown and described.

(22) Filed: **Jul. 7, 2006**

**DESCRIPTION**

(30) **Foreign Application Priority Data**

Jan. 9, 2006 (WO) ..... DM/067 336

FIG. 1 is a perspective view of the top, front and right side of a mixer tap for a kitchen sink showing our new design; FIG. 2 is a front elevational view thereof; FIG. 3 is a left side view thereof; and, FIG. 4 is a top plan view thereof.

(51) **LOC (8) Cl.** ..... **23-01**

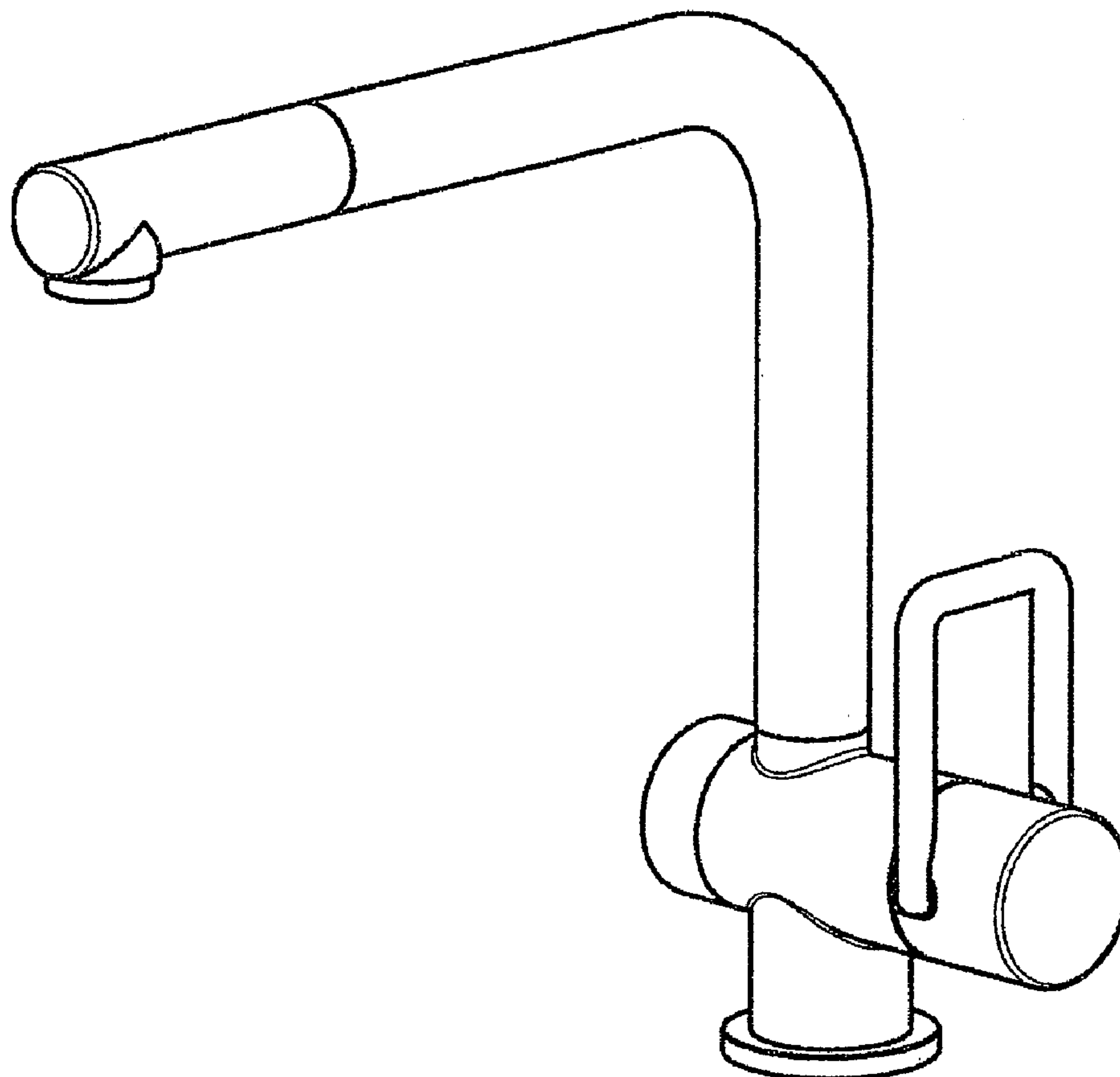
(52) **U.S. Cl.** ..... **D23/235**

(58) **Field of Classification Search** ..... D23/238–243, D23/250–257; 4/675–678; 137/801

The trade name appearing in FIG. 1 forms no part of the claimed design.

See application file for complete search history.

**1 Claim, 1 Drawing Sheet**



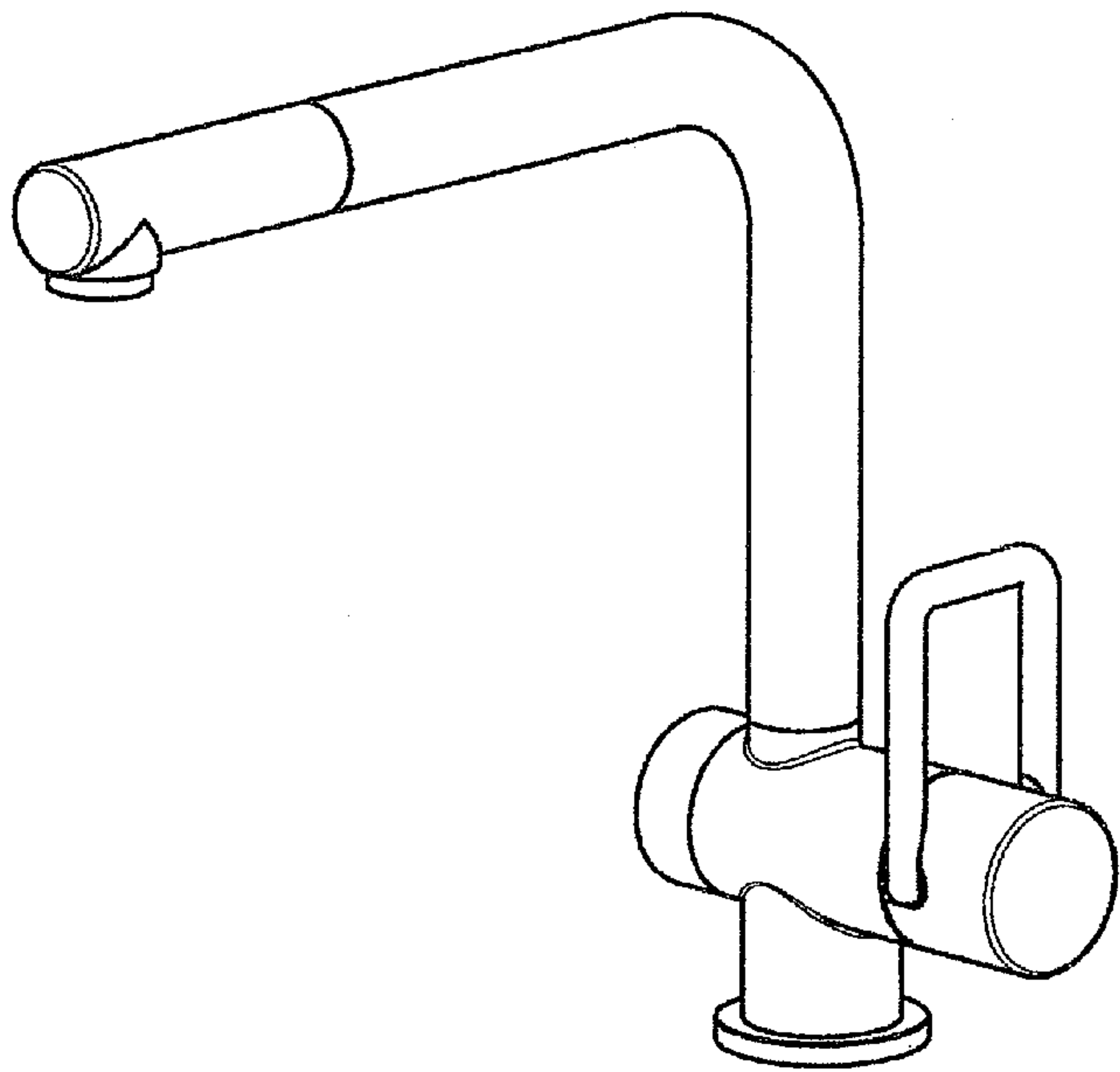


FIG. 1

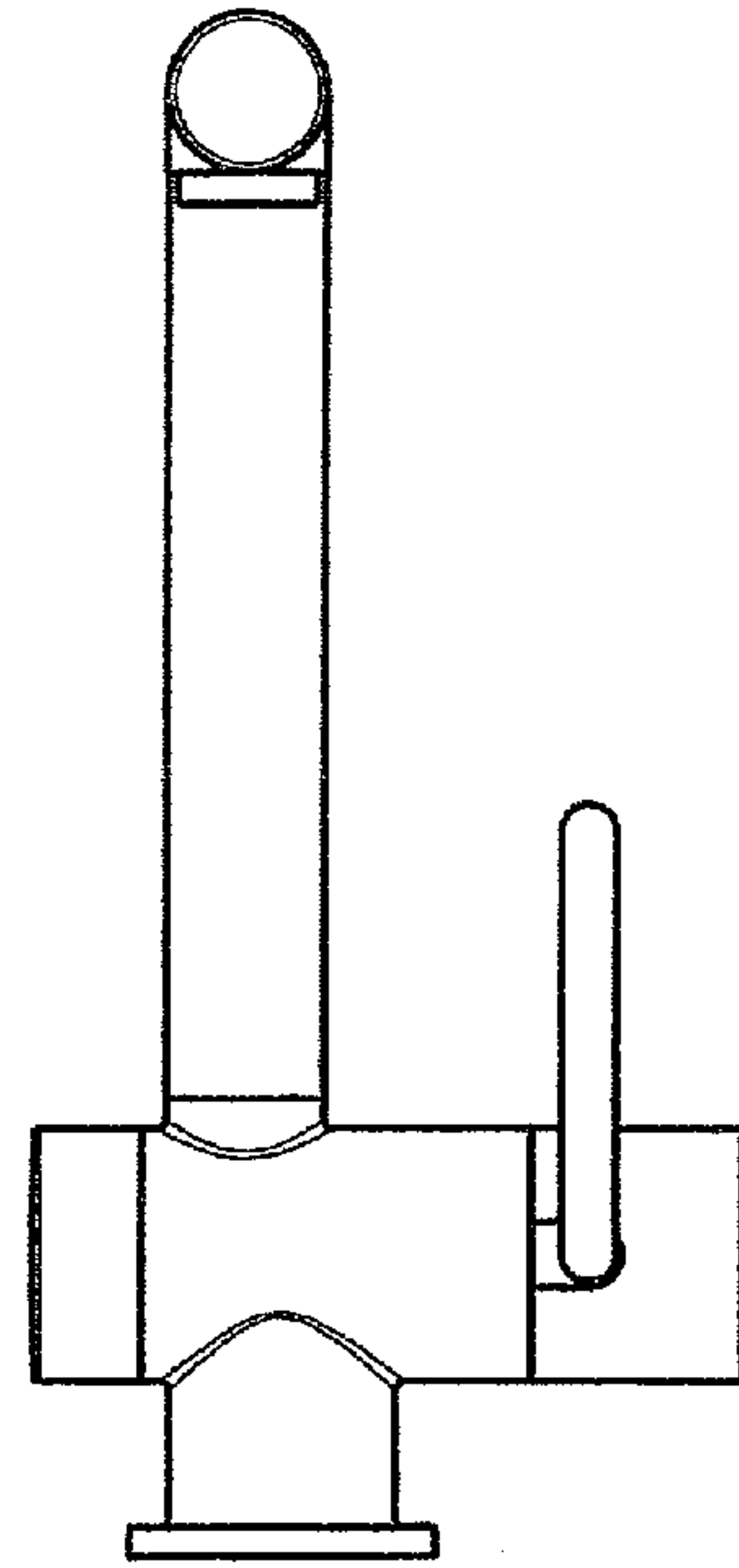


FIG. 2

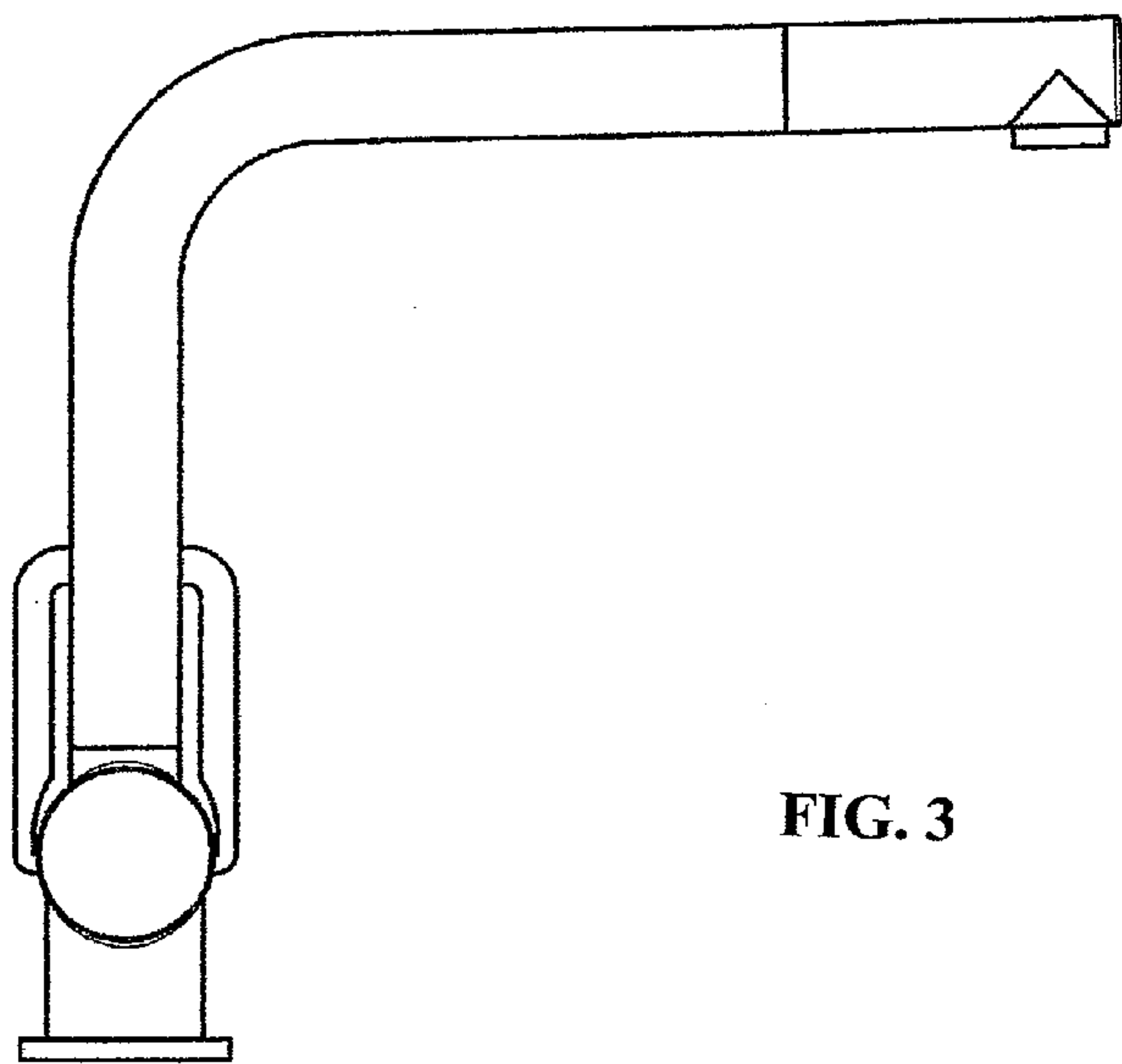


FIG. 3

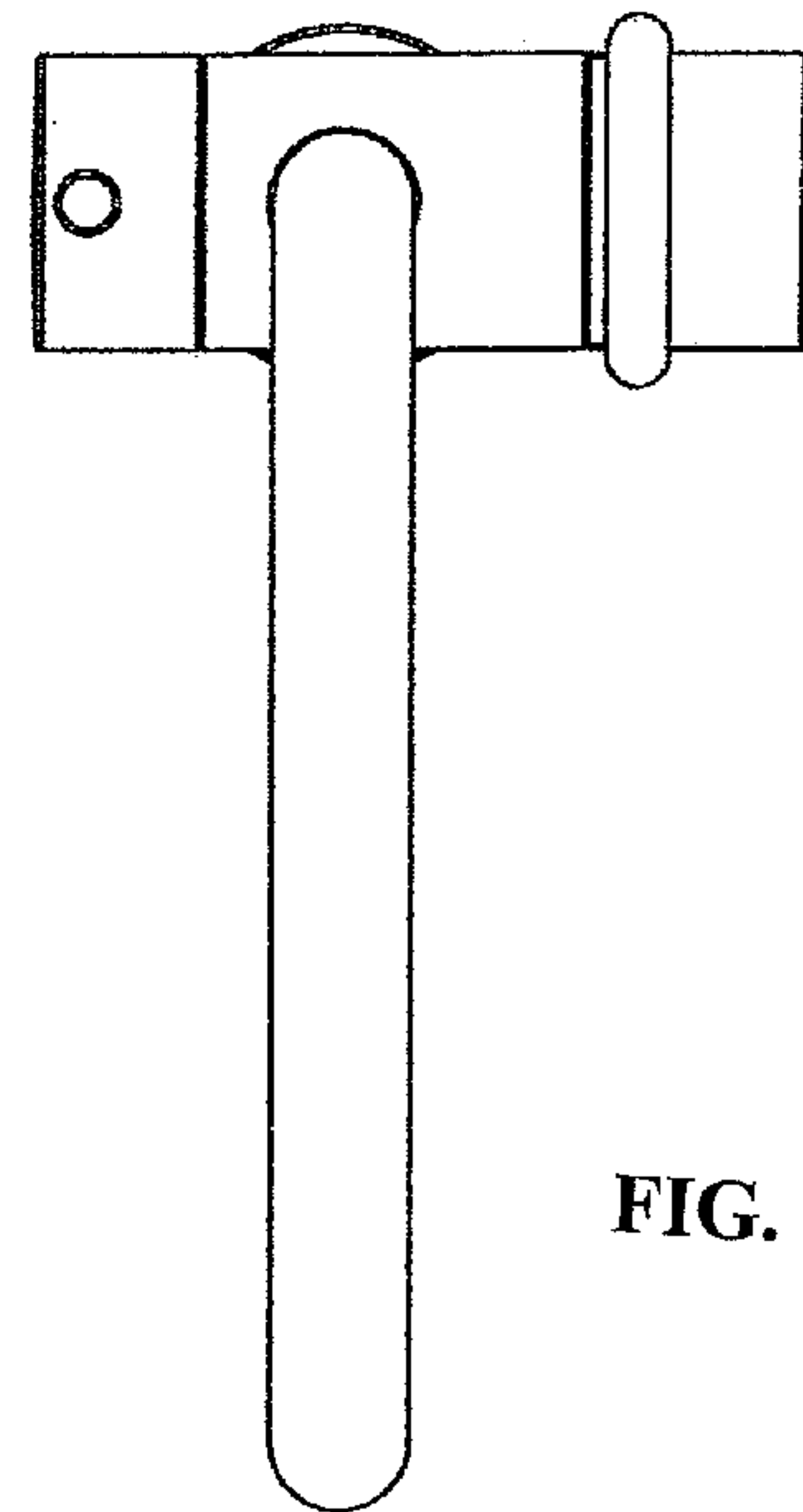


FIG. 4