

US00D569947S

(12) **United States Design Patent**  
**Johnson**

(10) **Patent No.:** **US D569,947 S**

(45) **Date of Patent:** **\*\* May 27, 2008**

(54) **FLUSH VALVE**

(75) Inventor: **Dwight N. Johnson**, Carlsbad, CA (US)

(73) Assignee: **Sloan Valve Company**, Franklin Park, IL (US)

(\*\*) Term: **14 Years**

(21) Appl. No.: **29/289,077**

(22) Filed: **Jul. 5, 2007**

**Related U.S. Application Data**

(63) Continuation of application No. 11/481,220, filed on Jul. 5, 2006.

(51) **LOC (8) Cl.** ..... **23-01**

(52) **U.S. Cl.** ..... **D23/233**

(58) **Field of Classification Search** ..... D23/233, D23/237, 244-250, 260; 251/15, 17, 38, 251/40, 236, 243; 137/549; 4/305, 422, 4/DIG. 3, 249

See application file for complete search history.

(56) **References Cited**

**U.S. PATENT DOCUMENTS**

D366,929 S \* 2/1996 Allen et al. .... D23/236  
5,887,848 A \* 3/1999 Wilson ..... 251/40  
D434,110 S \* 11/2000 Kim ..... D23/236

6,923,426 B1 \* 8/2005 Pino ..... 251/40  
D531,696 S \* 11/2006 Lopez ..... D23/235  
2002/0179871 A1 \* 12/2002 Verdecchia ..... 251/40  
2005/0218357 A1 \* 10/2005 Bush ..... 251/5  
2005/0268970 A1 \* 12/2005 Verdecchia ..... 137/550  
2006/0151729 A1 \* 7/2006 Wilson ..... 251/40  
2007/0143822 A1 \* 6/2007 Hoda et al. .... 725/151

\* cited by examiner

*Primary Examiner*—Ian Simmons

*Assistant Examiner*—Maurice Stevens

(74) *Attorney, Agent, or Firm*—Foley & Lardner LLP

(57) **CLAIM**

I claim the ornamental design for a flush valve, as shown and described.

**DESCRIPTION**

FIG. 1 is a perspective view of a flush valve showing my new design;

FIG. 2 is a left side view thereof;

FIG. 3 is a right side view thereof;

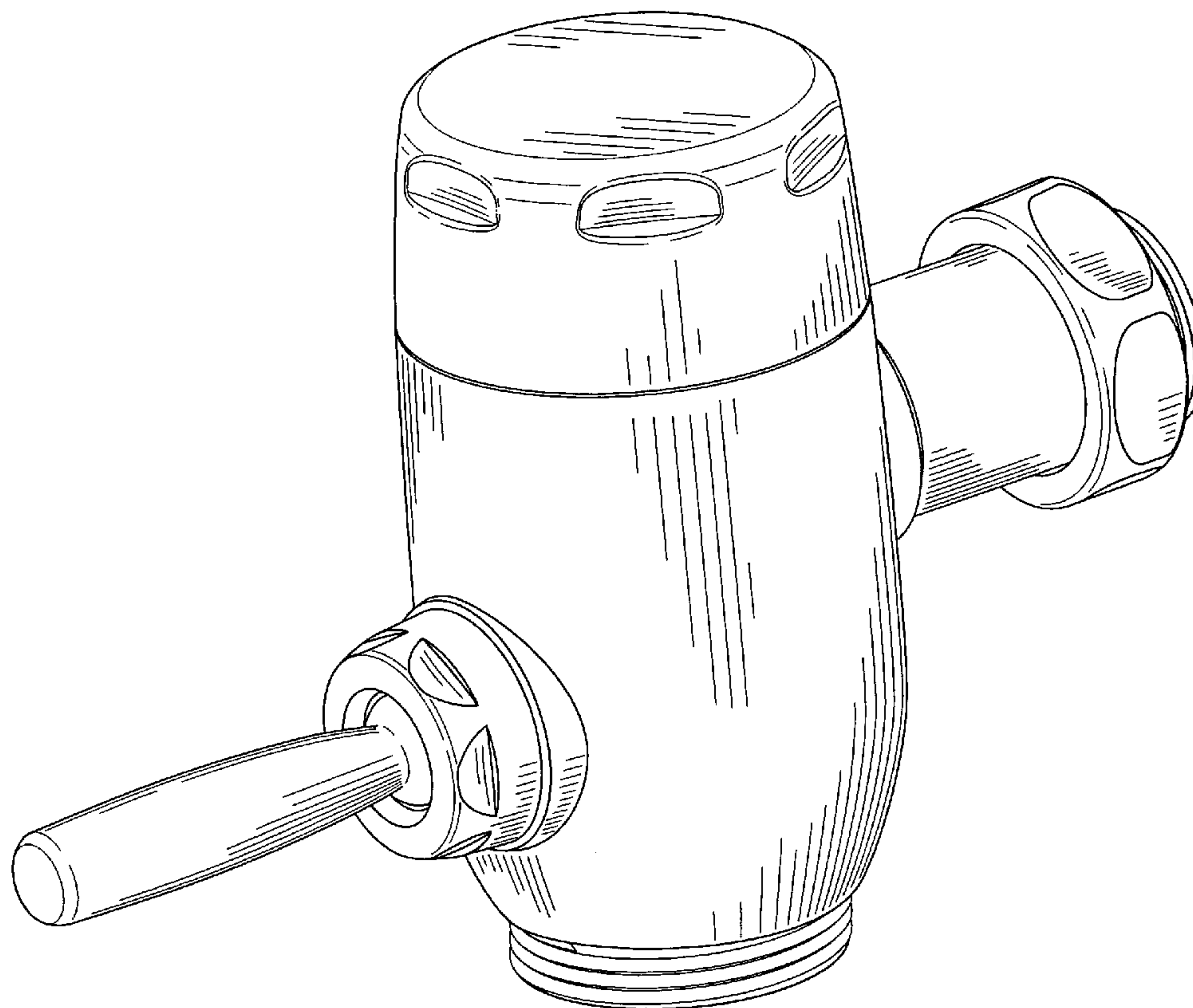
FIG. 4 is a front view thereof;

FIG. 5 is a back view thereof;

FIG. 6 is a top view thereof; and,

FIG. 7 is a bottom view thereof.

**1 Claim, 7 Drawing Sheets**



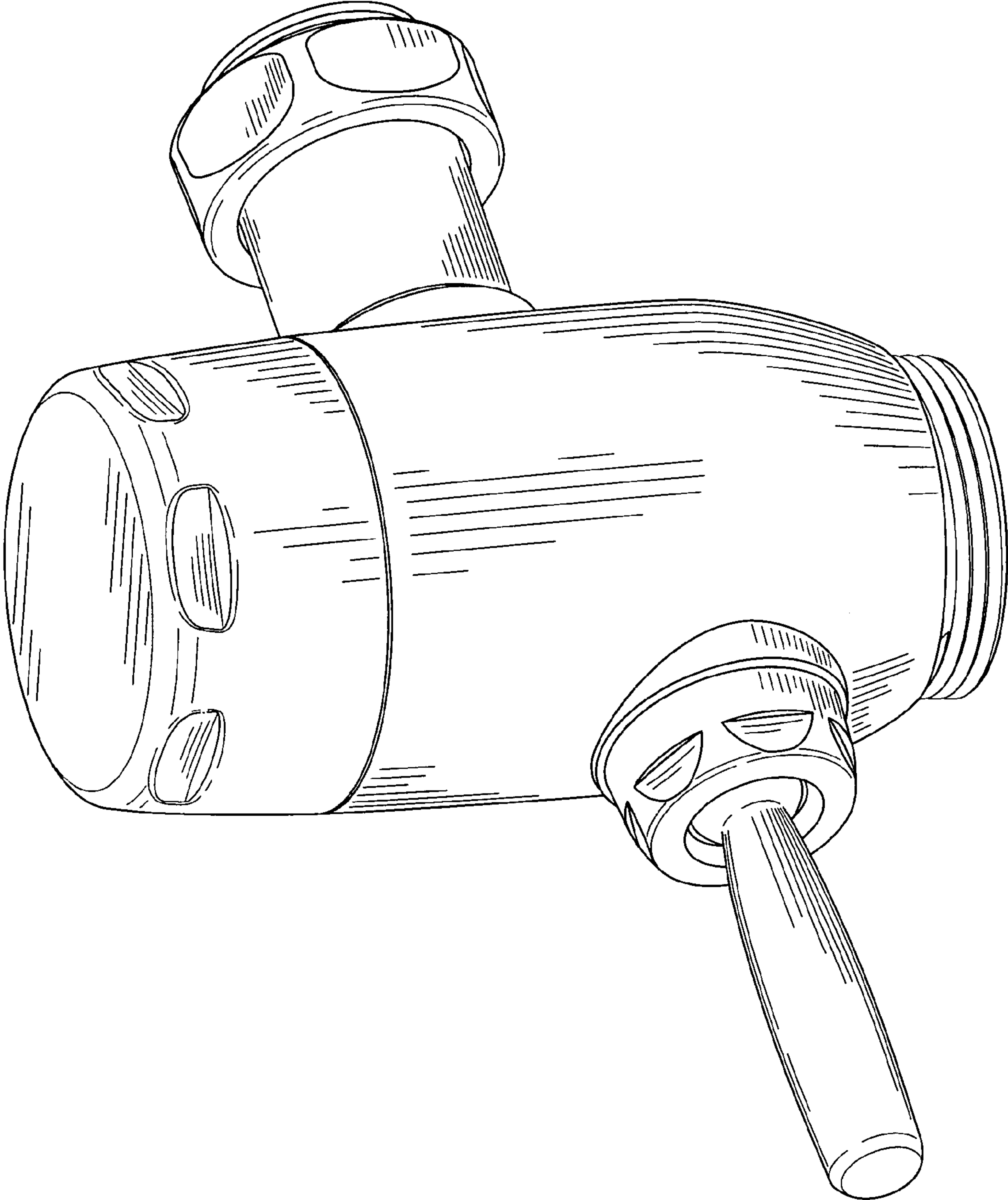


FIG. 1

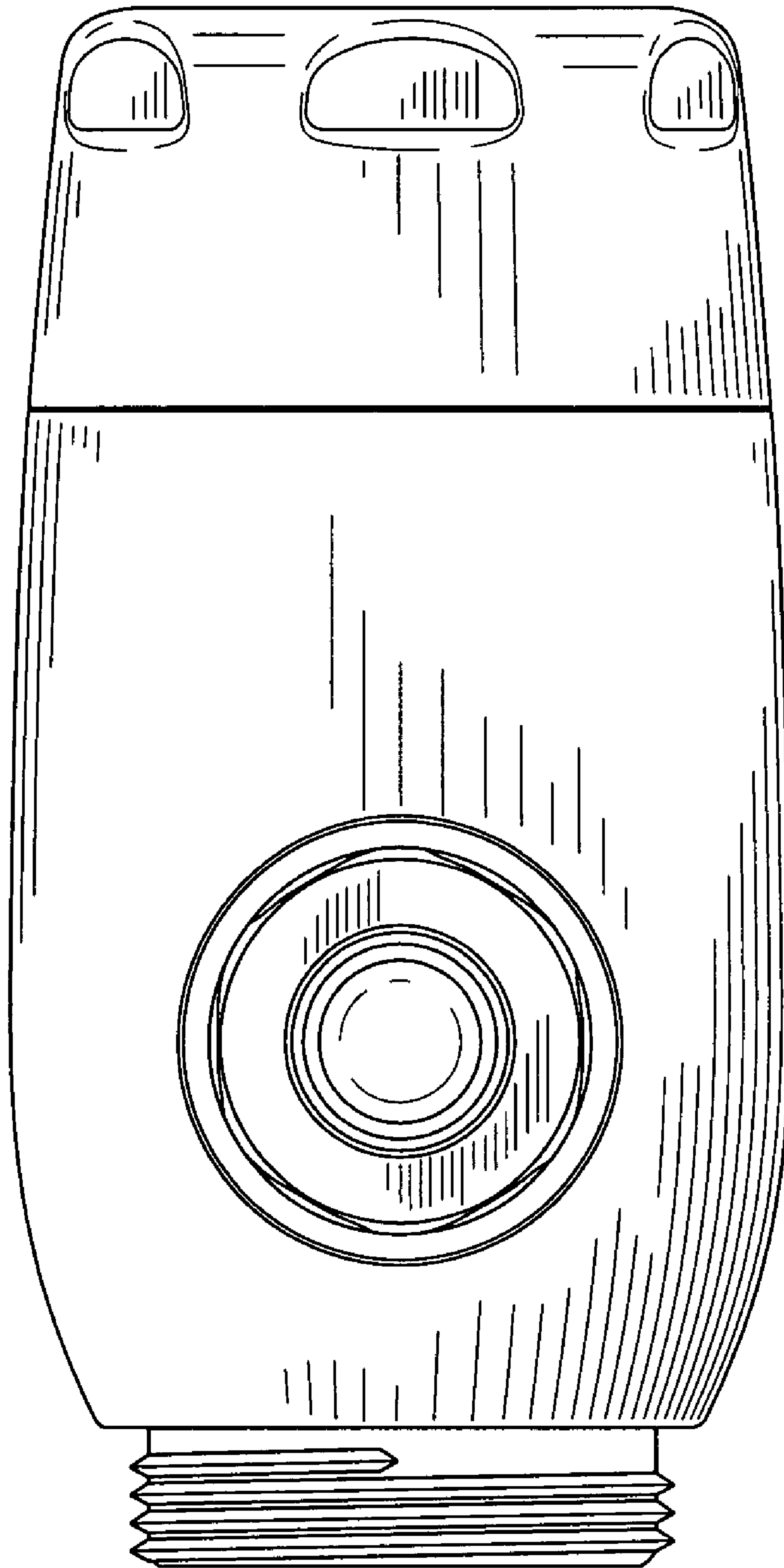


FIG. 2

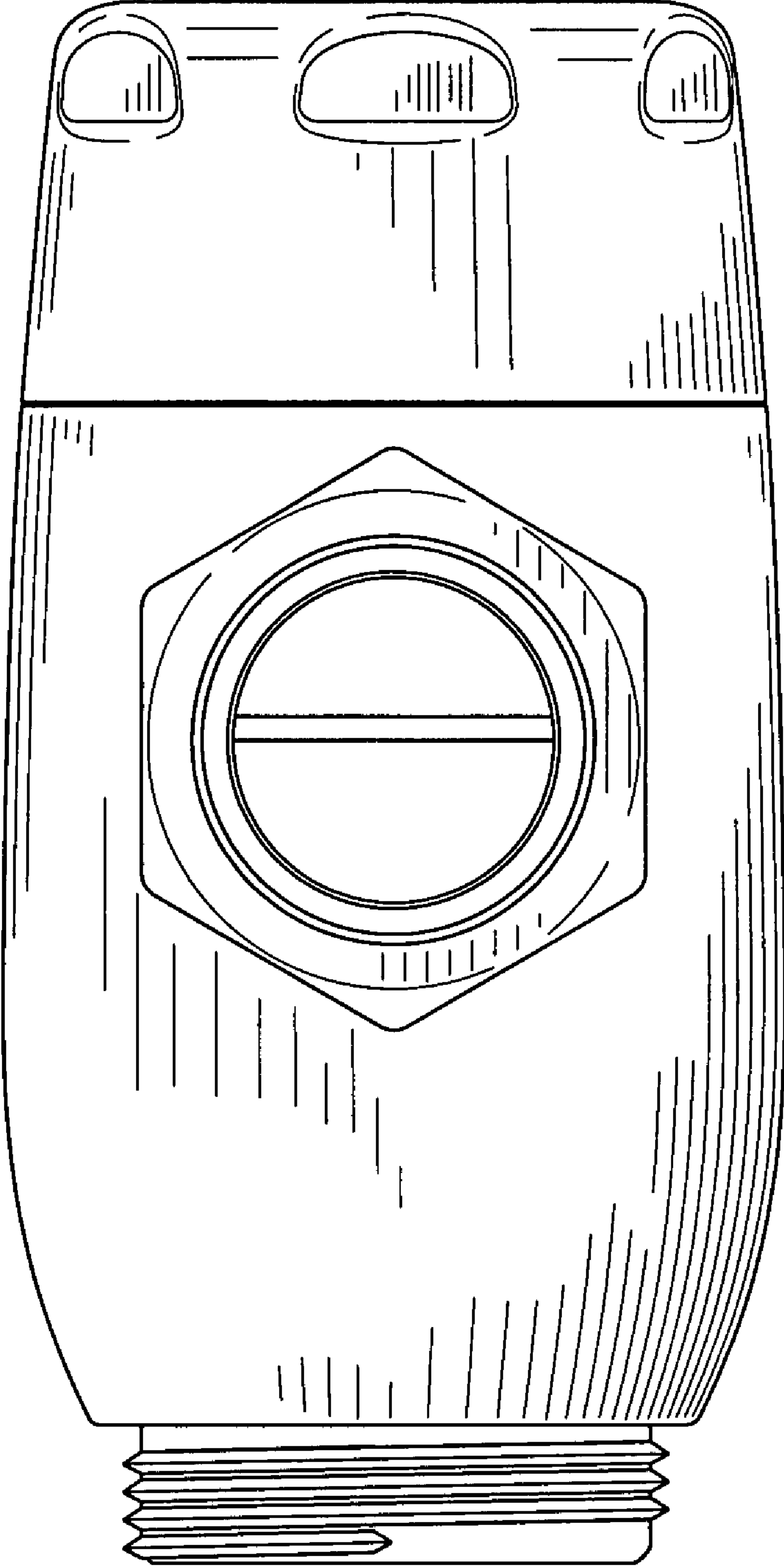


FIG. 3

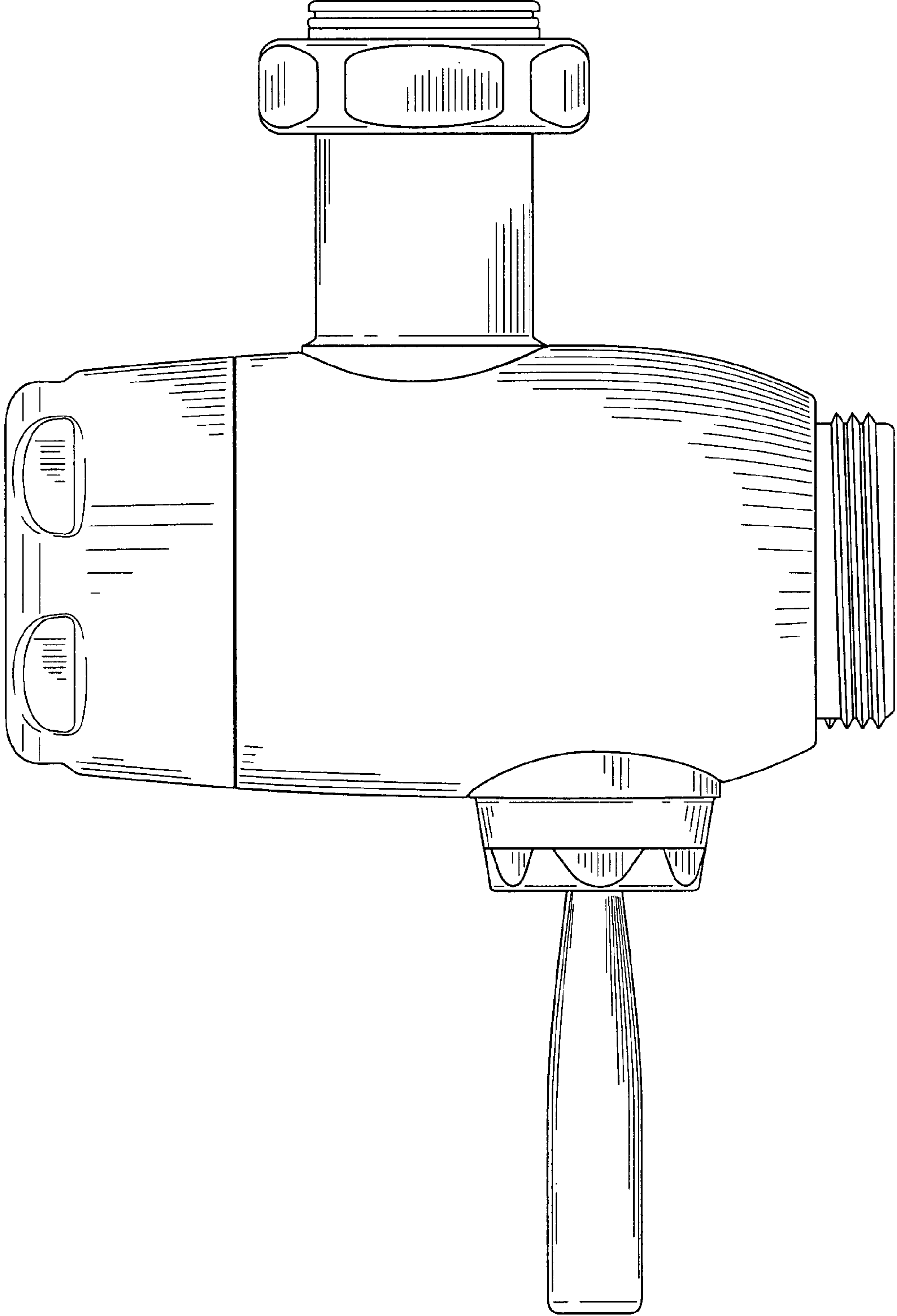


FIG. 4

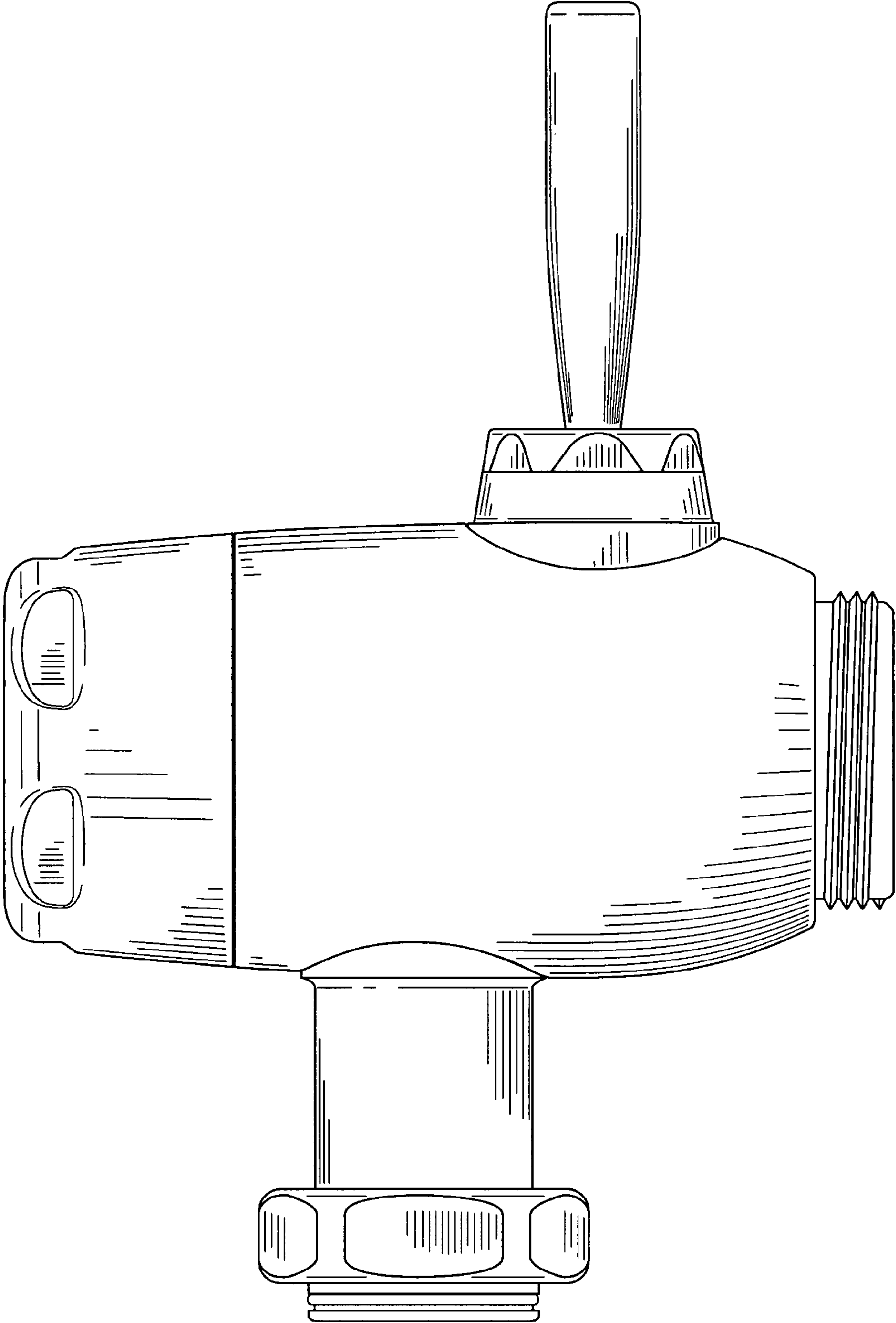


FIG. 5



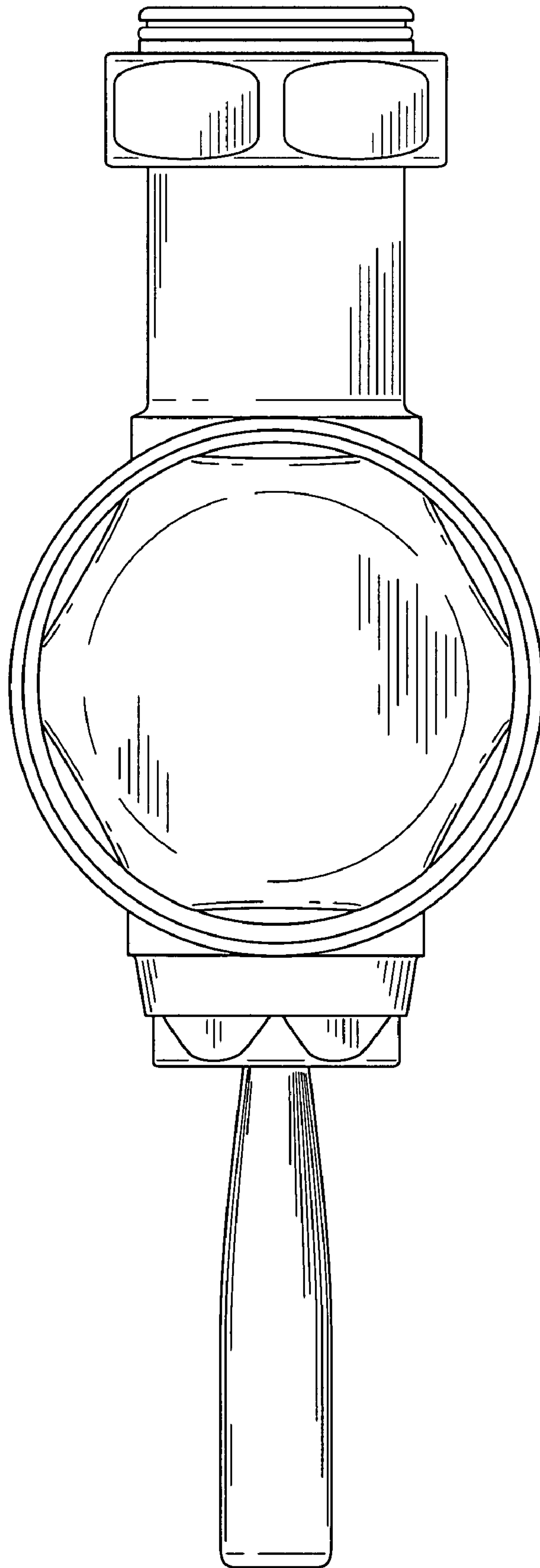


FIG. 6

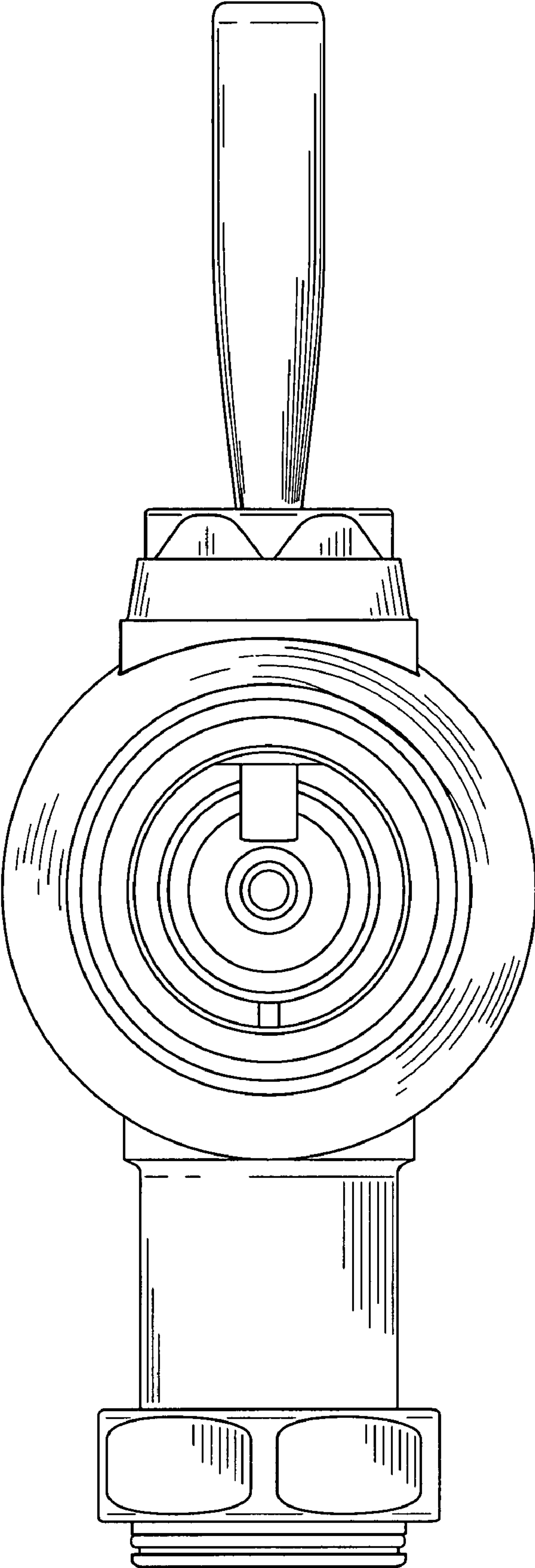


FIG. 7