



US00D569946S

(12) **United States Design Patent**  
**Omura**

(10) **Patent No.:** **US D569,946 S**

(45) **Date of Patent:** **\*\* May 27, 2008**

(54) **MAIN BODY FOR REEL SEAT FOR FISHING ROD**

(75) Inventor: **Kazuhito Omura**, Shizuoka (JP)

(73) Assignee: **Fuji Kogyo Co., Ltd.**, Shizuoka (JP)

(\*\*) Term: **14 Years**

(21) Appl. No.: **29/274,727**

(22) Filed: **May 17, 2007**

(30) **Foreign Application Priority Data**

Dec. 1, 2006 (JP) ..... 2006-036330

(51) **LOC (8) Cl.** ..... **22-05**

(52) **U.S. Cl.** ..... **D22/142**

(58) **Field of Classification Search** ..... D22/142,  
D22/134, 137-139; 43/22-23  
See application file for complete search history.

(56) **References Cited**

**U.S. PATENT DOCUMENTS**

4,516,351 A	5/1985	Highby
D288,834 S	3/1987	Childre
4,646,462 A	3/1987	Ohmura
D289,193 S	4/1987	Childre
D290,156 S	6/1987	Ohmura
D290,158 S	6/1987	Ohmura
D294,625 S	3/1988	Rumbaugh et al.
D314,036 S	1/1991	Oyama
D316,738 S	5/1991	Oyama
D317,345 S	6/1991	Oyama
D324,560 S	3/1992	Terry et al.
D324,561 S	3/1992	Terry et al.
5,199,207 A	4/1993	Nakagawa
5,291,684 A	3/1994	Oyama
5,337,507 A	8/1994	Oyama et al.
5,363,585 A	11/1994	Ohmura
5,396,727 A	3/1995	Furuya et al.
5,537,773 A	7/1996	Matsubara et al.
D387,125 S	12/1997	Gremis et al.
D389,554 S	1/1998	Ohmura
D390,625 S	2/1998	Oyama et al.

D391,621 S	3/1998	Oyama et al.
D403,044 S	12/1998	Tayama et al.
5,904,000 A	5/1999	Ohmura
D418,194 S	12/1999	Oyama et al.
D425,170 S	5/2000	Ohmura
2003/0145509 A1	8/2003	Ito

**FOREIGN PATENT DOCUMENTS**

JP	S747128-1	7/1988
JP	S747128-2	7/1988
JP	S748843	7/1988
JP	S747128-3	11/1990
JP	S883188	11/1993
JP	S924134	5/1995
JP	S924144	5/1995
JP	S924517	5/1995
JP	S924624	5/1995
JP	S923962	10/1995
JP	S965398	9/1996

(Continued)

*Primary Examiner*—Catherine R Oliver

(74) *Attorney, Agent, or Firm*—Oliff & Berridge, PLC

(57) **CLAIM**

The ornamental design for a main body for reel seat for fishing rod, as shown and described.

**DESCRIPTION**

FIG. 1 is a front view of a main body for reel seat for fishing rod;

FIG. 2 is a top view thereof;

FIG. 3 is a bottom view thereof;

FIG. 4 is a left side view thereof;

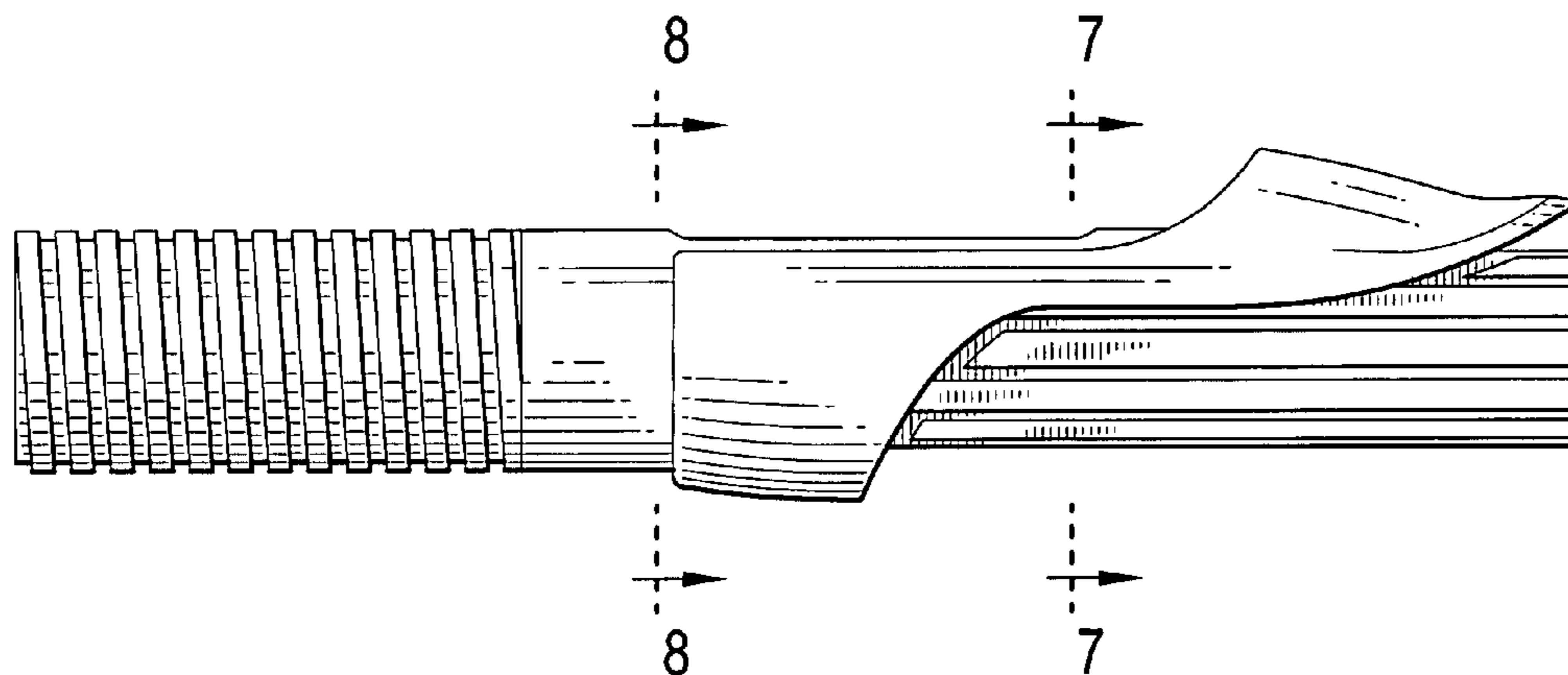
FIG. 5 is a right side view thereof;

FIG. 6 is a cross-sectional view thereof taken along the line 6—6 of FIG. 2;

FIG. 7 is a cross-sectional view thereof taken along the line 7—7 of FIG. 1; and,

FIG. 8 is a cross-sectional view thereof taken along the line 8—8 of FIG. 1.

**1 Claim, 2 Drawing Sheets**



# US D569,946 S

Page 2

---

FOREIGN PATENT DOCUMENTS					
			JP	D1191056	10/2003
			JP	D1193472	11/2003
JP	D1119417	7/2001	JP	D1269039	3/2006
JP	D1146760	5/2002	JP	D1269049	3/2006
JP	D1190813	10/2003	JP	D1269050	3/2006

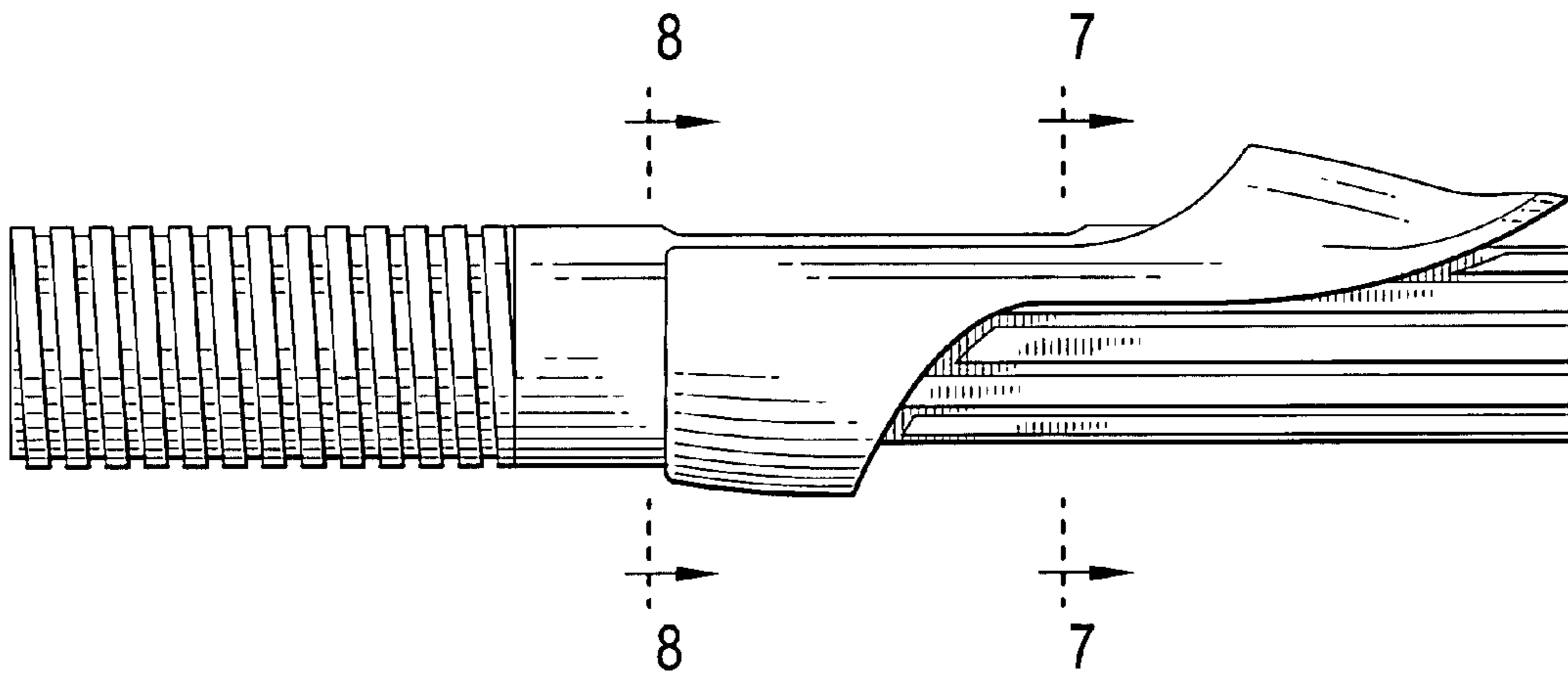


FIG. 1

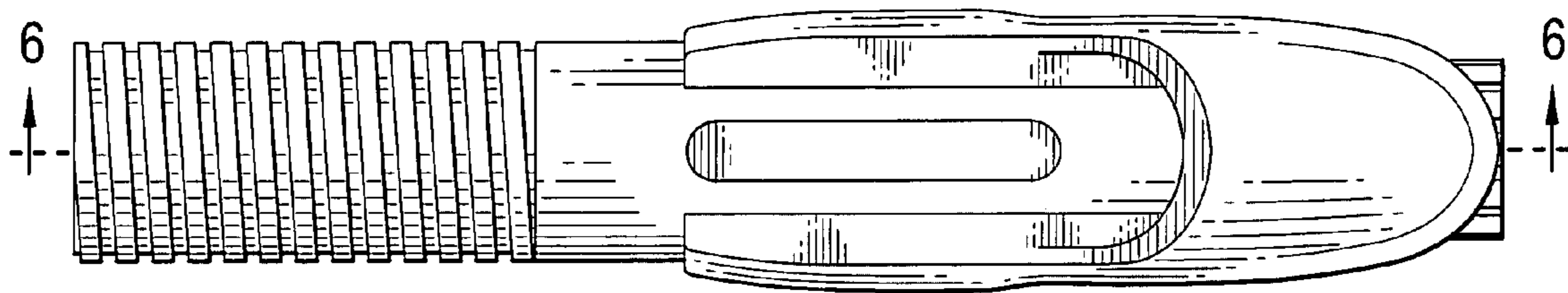


FIG. 2

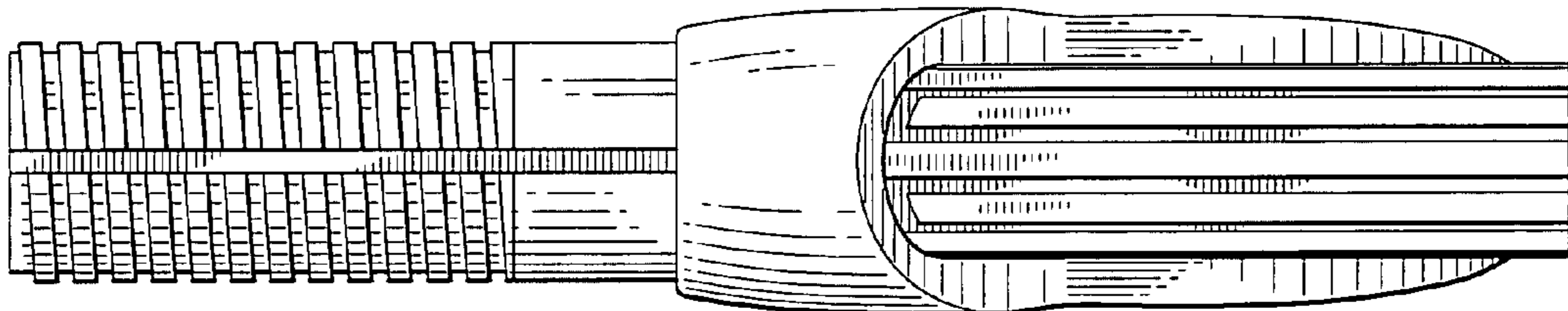


FIG. 3

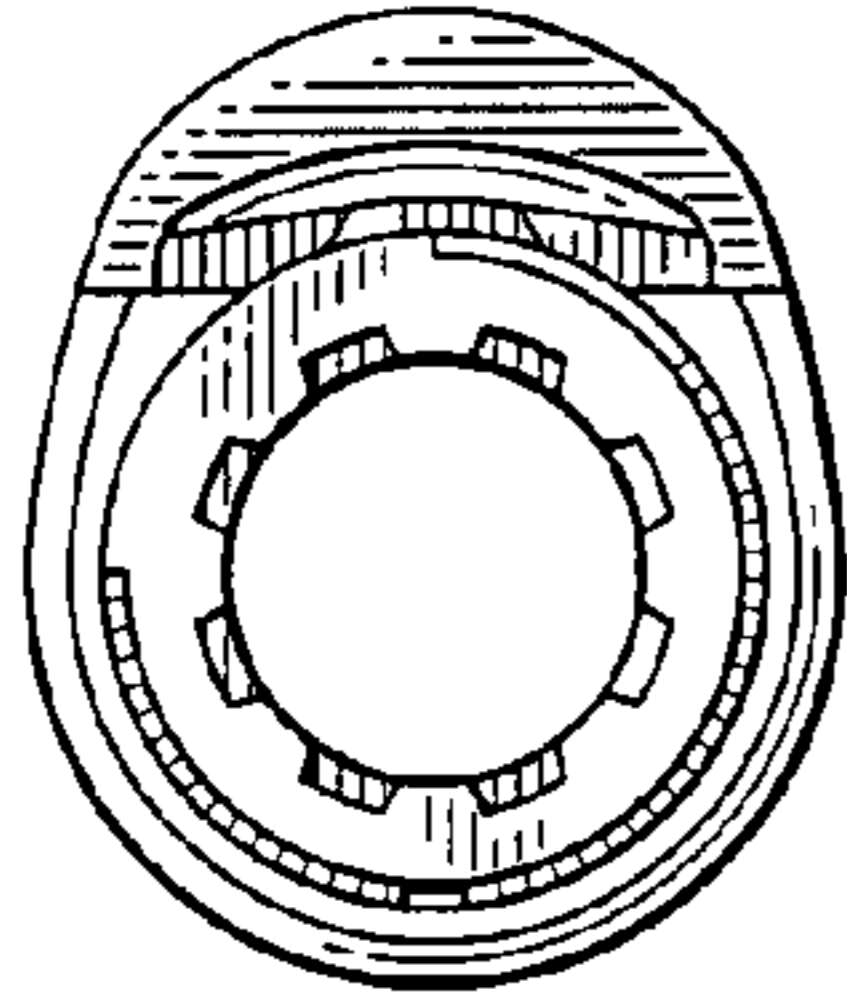


FIG. 4

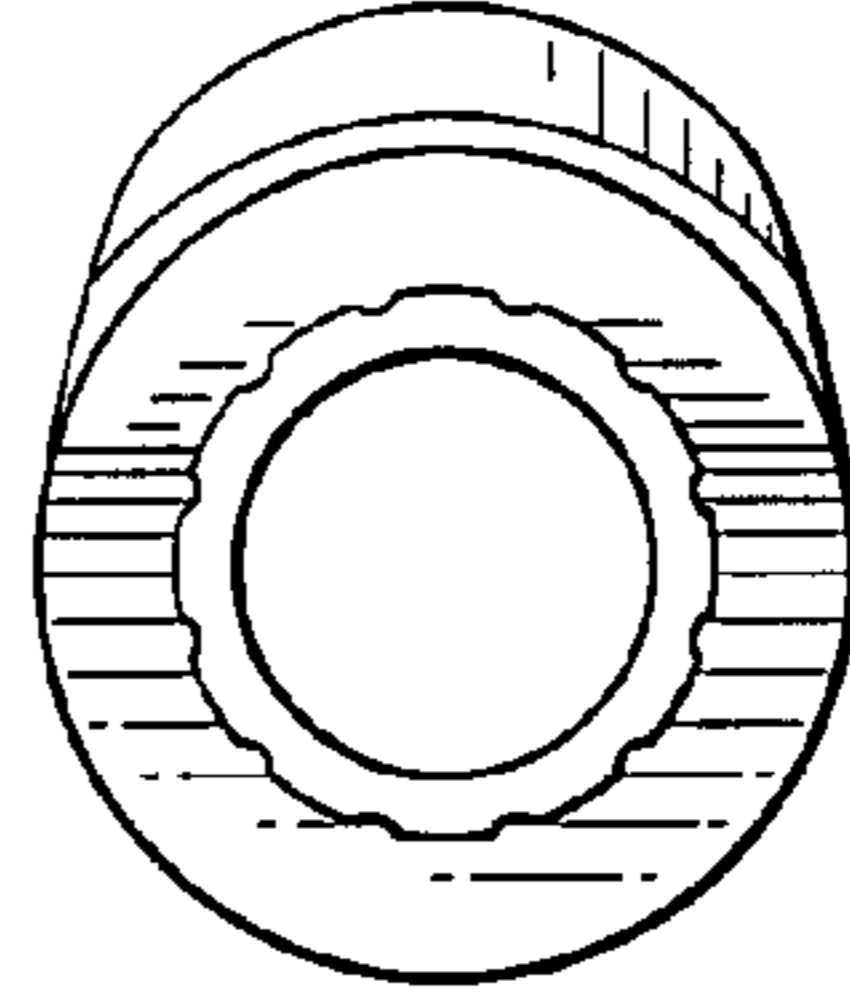


FIG. 5

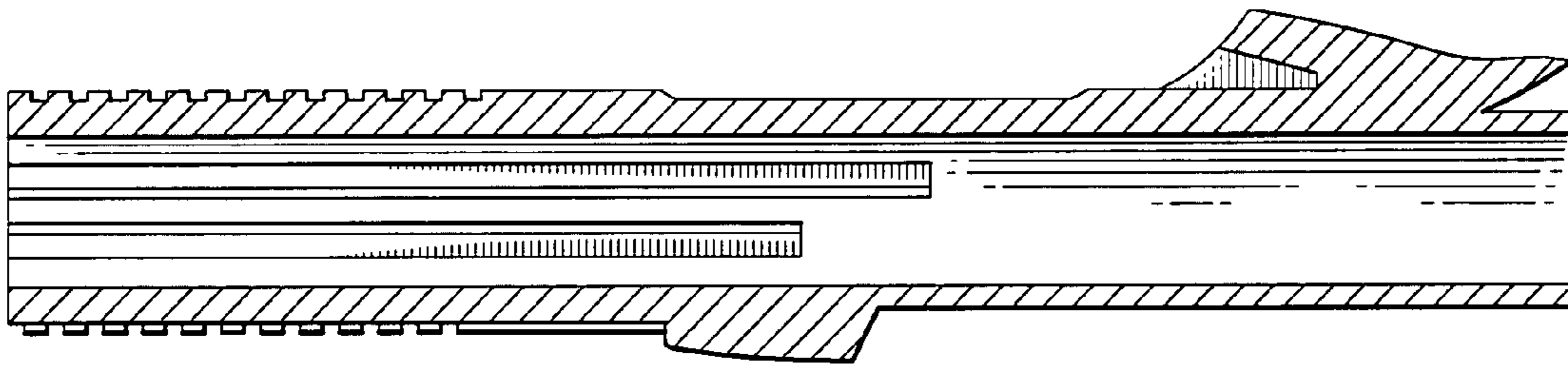


FIG. 6

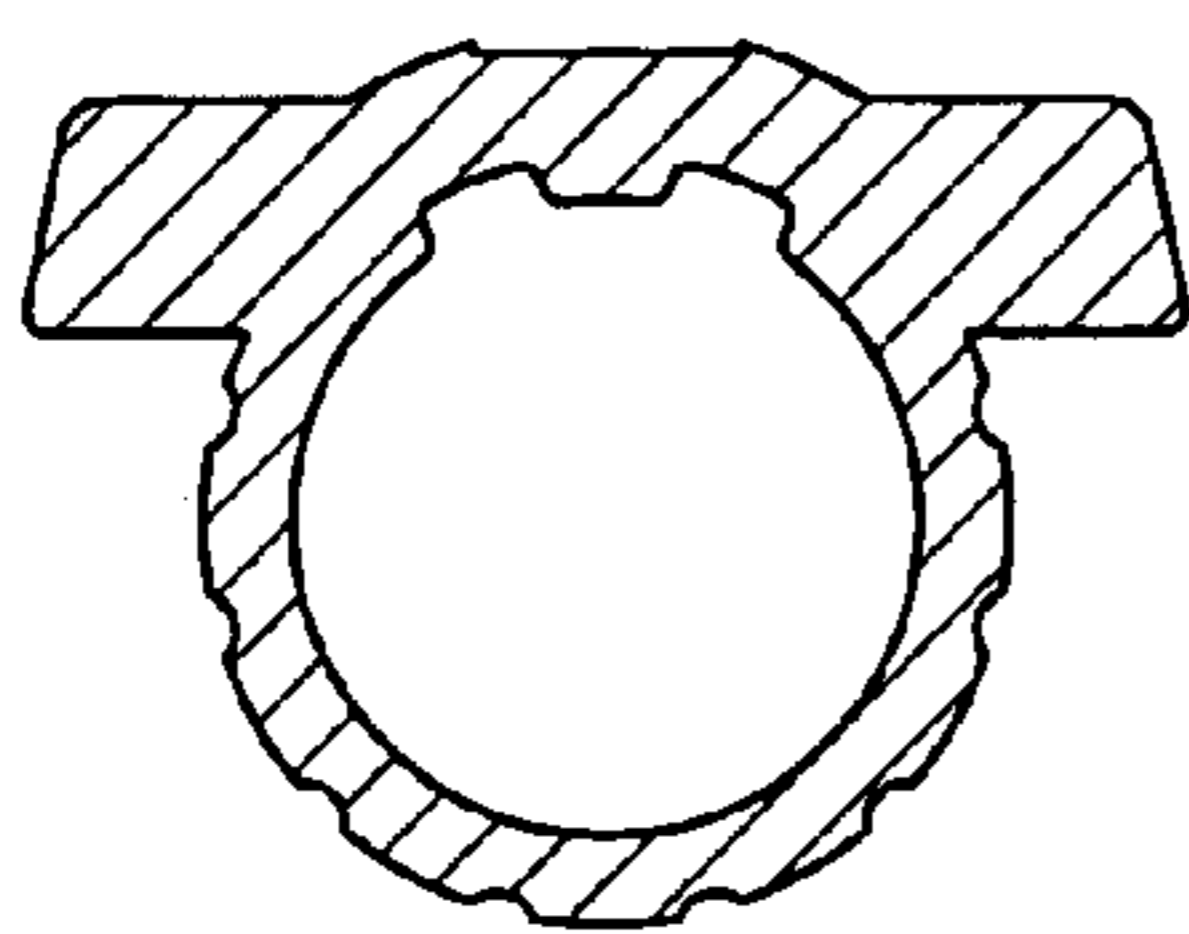


FIG. 7

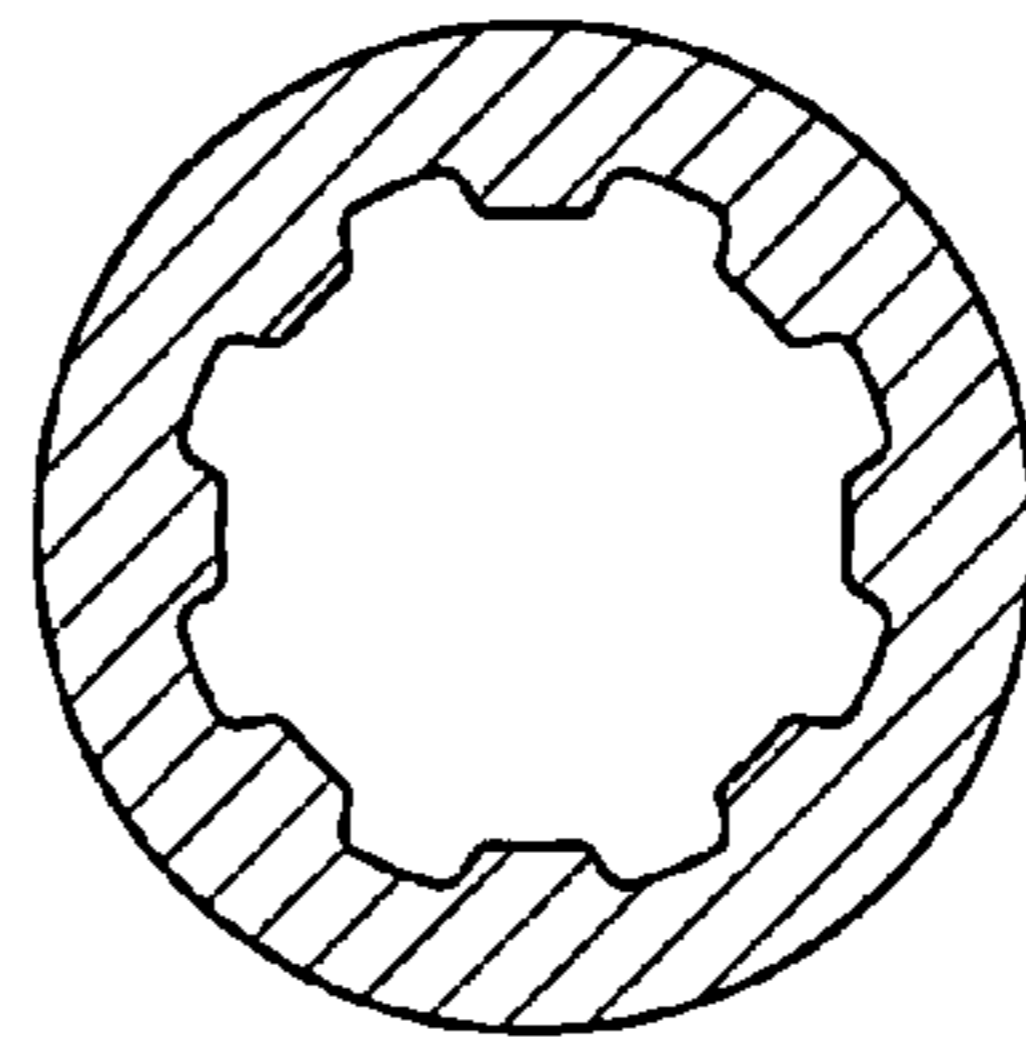


FIG. 8