

US00D569945S

(12) **United States Design Patent**
Omura

(10) **Patent No.:** **US D569,945 S**

(45) **Date of Patent:** **** May 27, 2008**

(54) **REEL SEAT FOR FISHING ROD**
(75) Inventor: **Kazuhito Omura**, Shizuoka (JP)
(73) Assignee: **Fuji Kogyo Co., Ltd.**, Shizuoka (JP)
(**) Term: **14 Years**

D403,044 S 12/1998 Tayama et al.
5,904,000 A 5/1999 Ohmura
D418,194 S 12/1999 Oyama et al.
D425,170 S 5/2000 Ohmura
2003/0145509 A1 8/2003 Ito

(21) Appl. No.: **29/274,709**
(22) Filed: **May 17, 2007**

FOREIGN PATENT DOCUMENTS

JP S747128-1 7/1988
JP S747128-2 7/1988
JP S748843 7/1988
JP S747128-3 11/1990
JP S883188 11/1993
JP S924134 5/1995
JP S924144 5/1995
JP S924517 5/1995
JP S924624 5/1995

(30) **Foreign Application Priority Data**
Nov. 29, 2006 (JP) 2006-035735

(51) **LOC (8) Cl.** **22-05**
(52) **U.S. Cl.** **D22/142**
(58) **Field of Classification Search** D22/142,
D22/134, 137-139; 43/22-23
See application file for complete search history.

Primary Examiner—Catherine R Oliver
(74) *Attorney, Agent, or Firm*—Oliff & Berridge, PLC

(56) **References Cited**

(57) **CLAIM**

The ornamental design for reel seat for fishing rod, as shown and described.

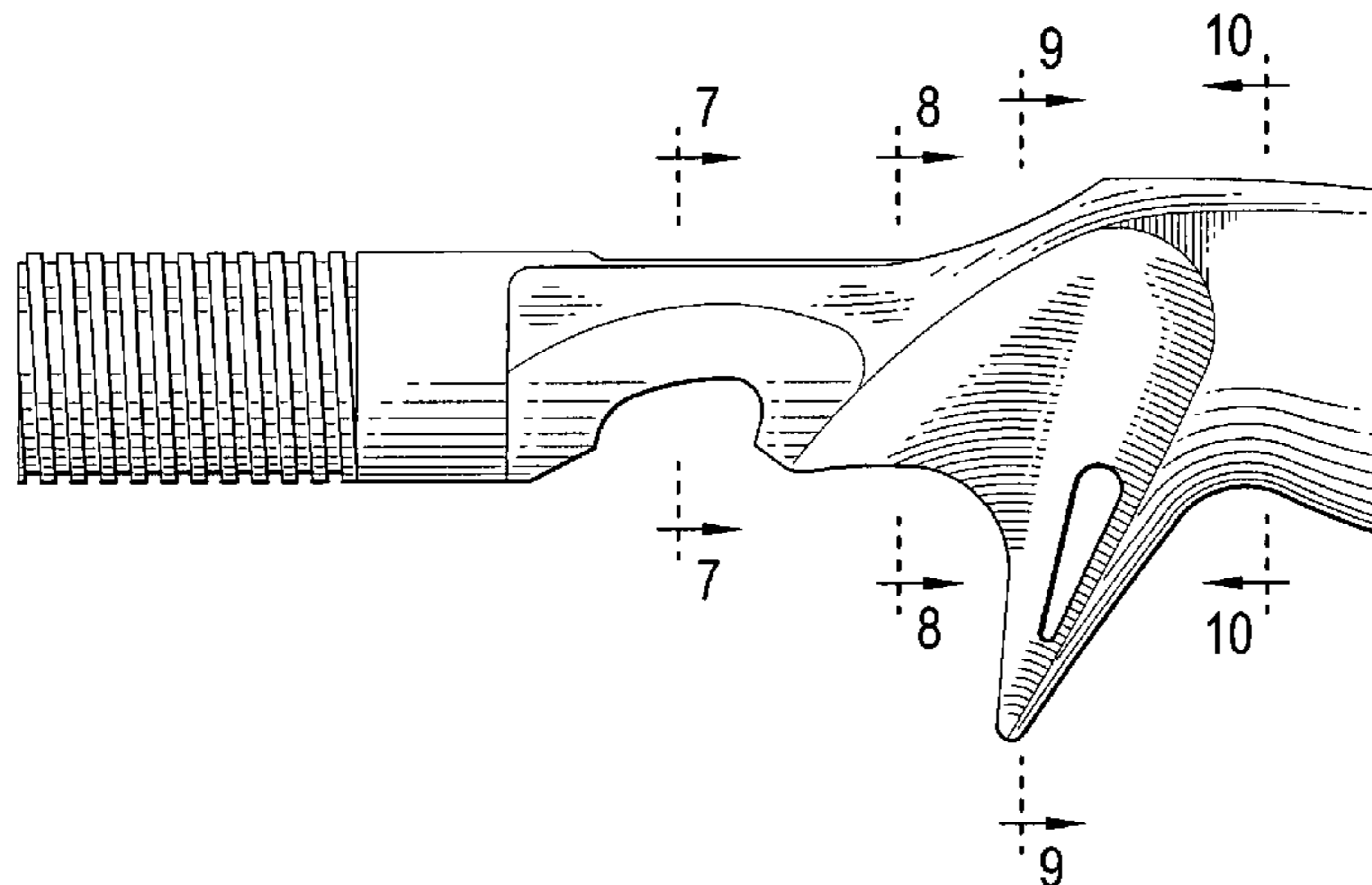
U.S. PATENT DOCUMENTS

4,516,351 A 5/1985 Highby
D288,834 S 3/1987 Childre
4,646,462 A 3/1987 Ohmura
D289,193 S 4/1987 Childre
D290,156 S 6/1987 Ohmura
D290,158 S 6/1987 Ohmura
D294,625 S 3/1988 Rumbaugh et al.
D314,036 S 1/1991 Oyama
D316,738 S 5/1991 Oyama
D317,345 S 6/1991 Oyama
D324,560 S 3/1992 Terry et al.
D324,561 S 3/1992 Terry et al.
5,199,207 A 4/1993 Nakagawa
5,291,684 A 3/1994 Oyama
5,337,507 A 8/1994 Oyama et al.
5,363,585 A 11/1994 Ohmura
5,396,727 A 3/1995 Furuya et al.
5,537,773 A 7/1996 Matsubara et al.
D387,125 S 12/1997 Grems et al.
D389,554 S 1/1998 Ohmura
D390,625 S 2/1998 Oyama et al.
D391,621 S 3/1998 Oyama et al.

DESCRIPTION

FIG. 1 is a front view of a reel seat for fishing rod;
FIG. 2 is a top view thereof;
FIG. 3 is a bottom view thereof;
FIG. 4 is a left side view thereof;
FIG. 5 is a right side view thereof;
FIG. 6 is a cross-sectional view thereof taken along the line 6—6 of FIG. 2;
FIG. 7 is a cross-sectional view thereof taken along the line 7—7 of FIG. 1;
FIG. 8 is a cross-sectional view thereof taken along the line 8—8 of FIG. 1;
FIG. 9 is a cross-sectional view thereof taken along the line 9—9 of FIG. 1; and,
FIG. 10 is a cross-sectional view thereof taken along the line 10—10 of FIG. 1.

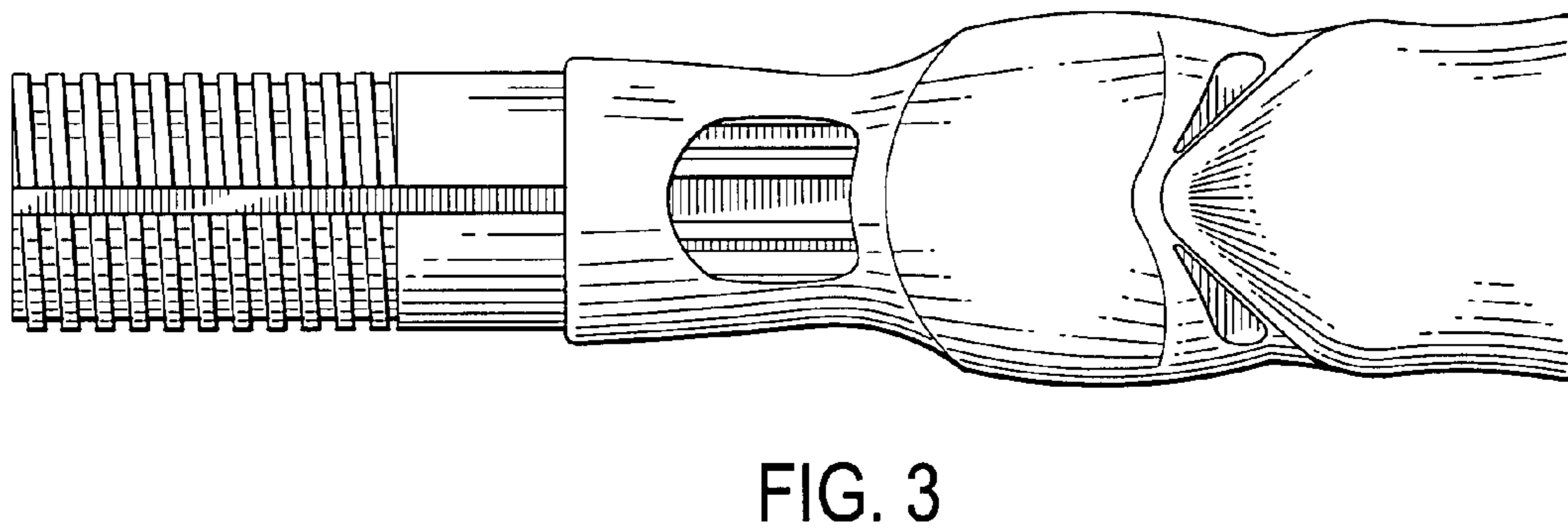
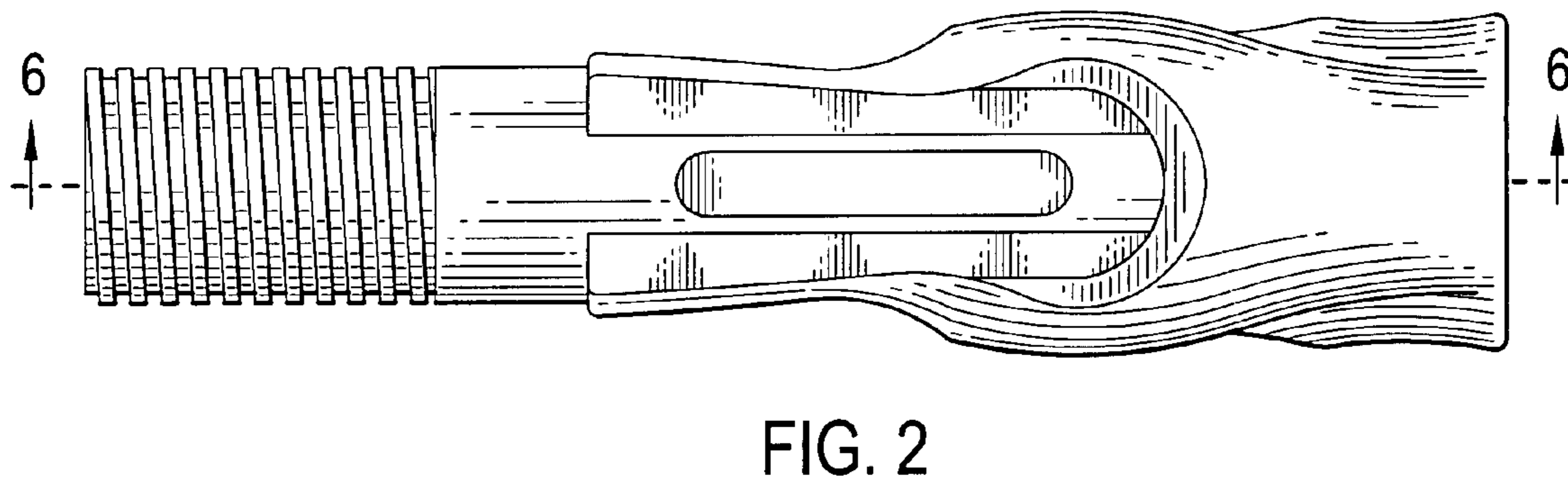
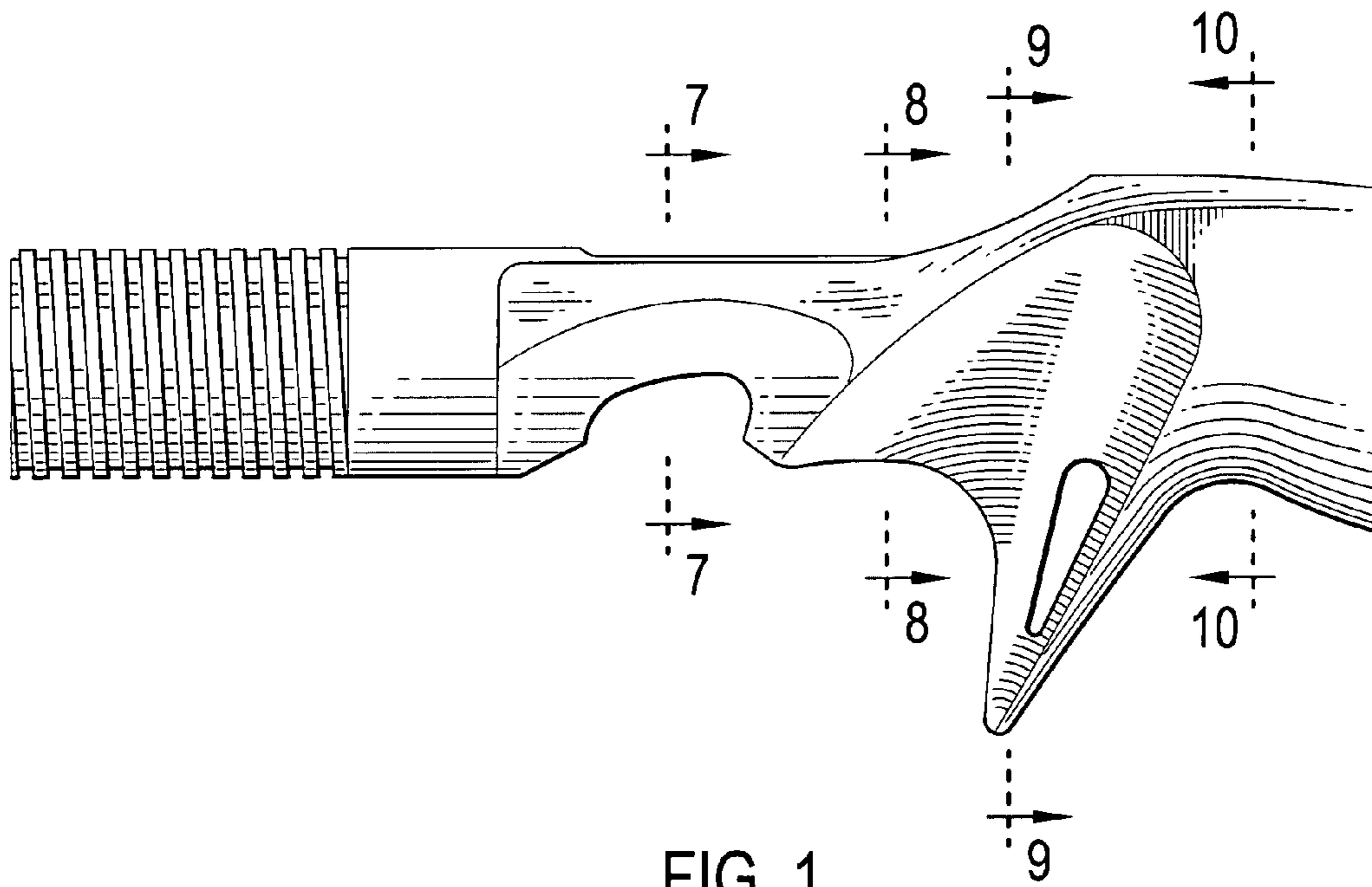
1 Claim, 3 Drawing Sheets



US D569,945 S

Page 2

FOREIGN PATENT DOCUMENTS					
			JP	D1190813	10/2003
			JP	D1191056	10/2003
JP	S923962	10/1995	JP	D1193472	11/2003
JP	S965398	9/1996	JP	D1269039	3/2006
JP	D1119417	7/2001	JP	D1269049	3/2006
JP	D1146760	5/2002	JP	D1269050	3/2006



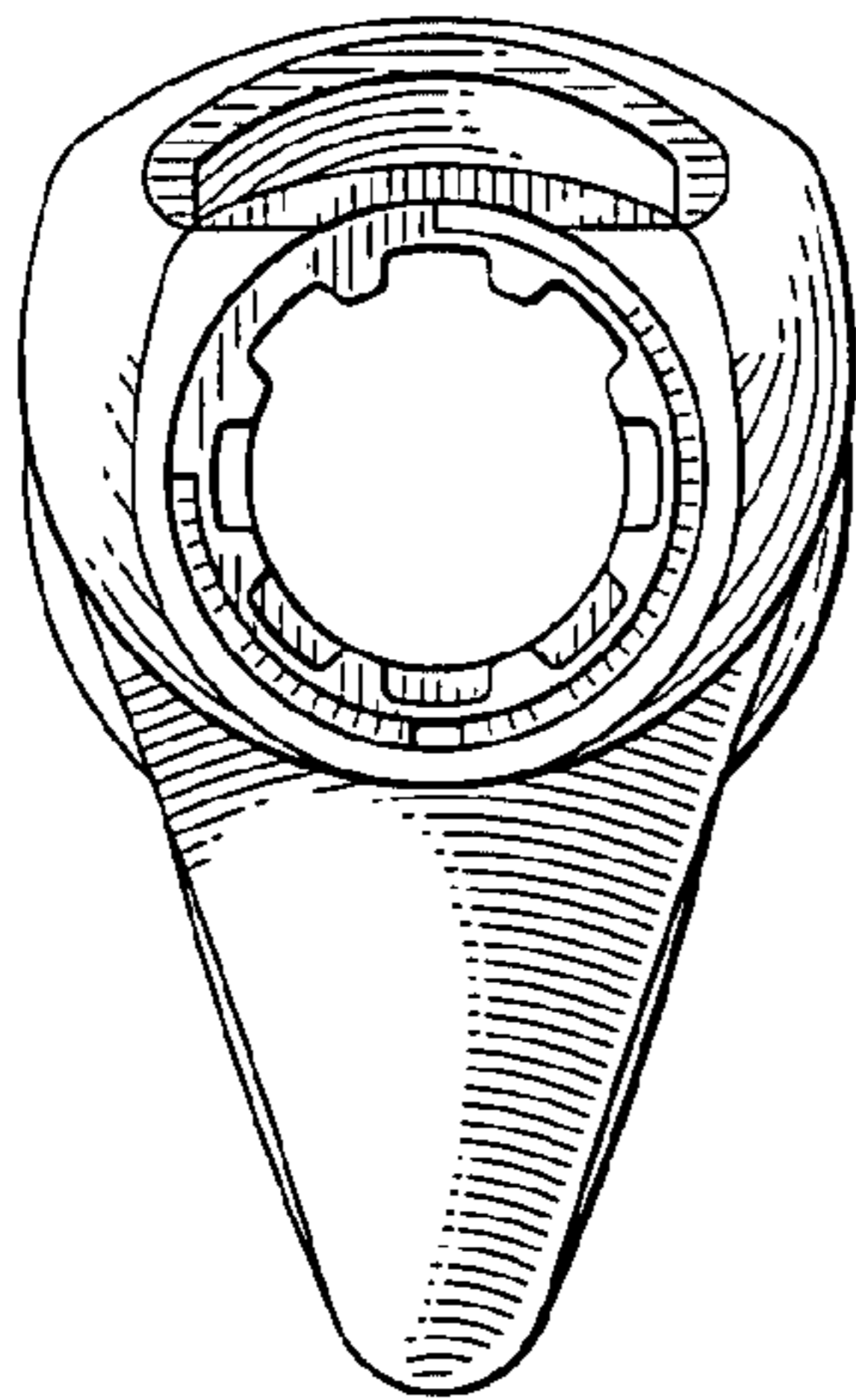


FIG. 4

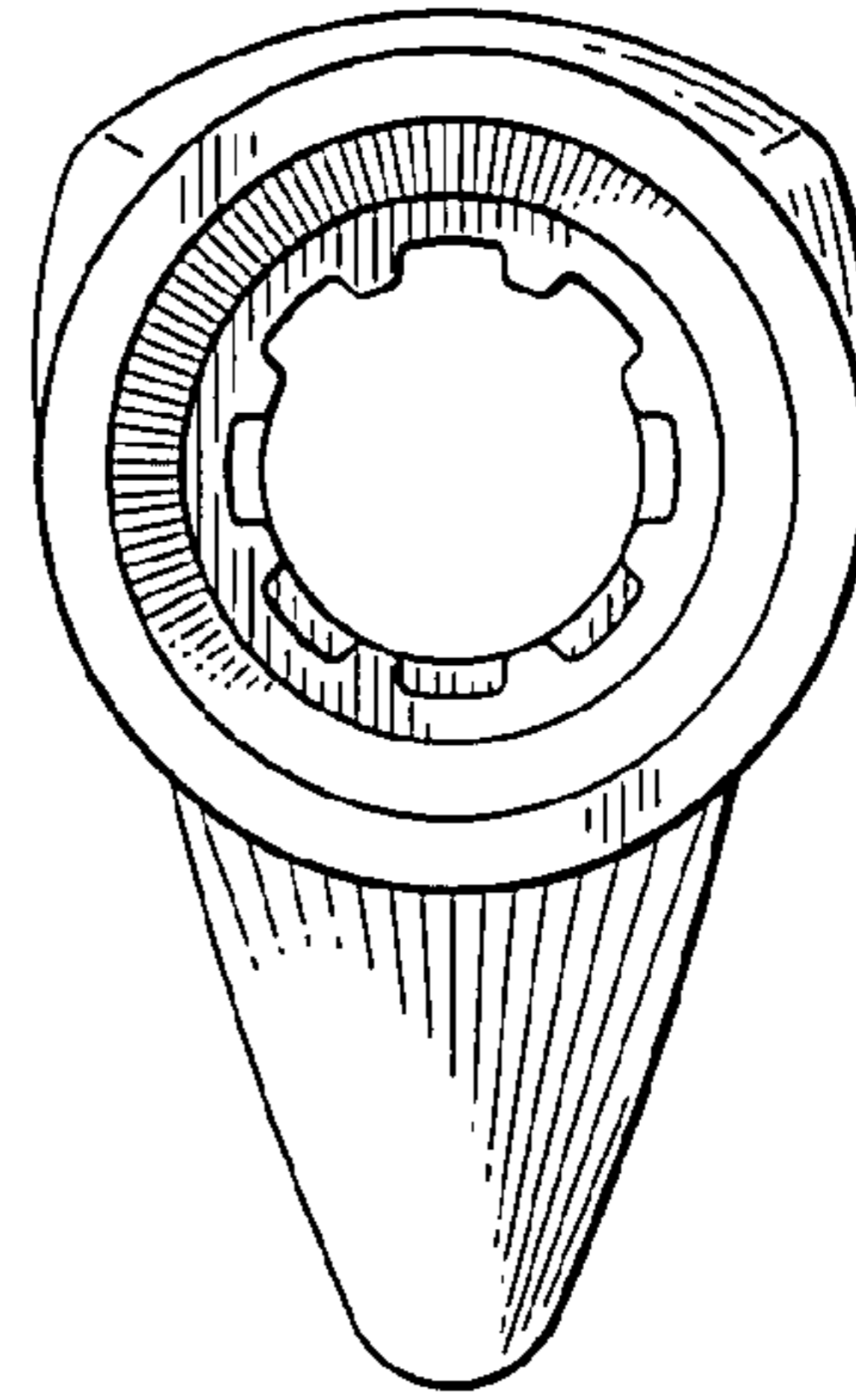


FIG. 5

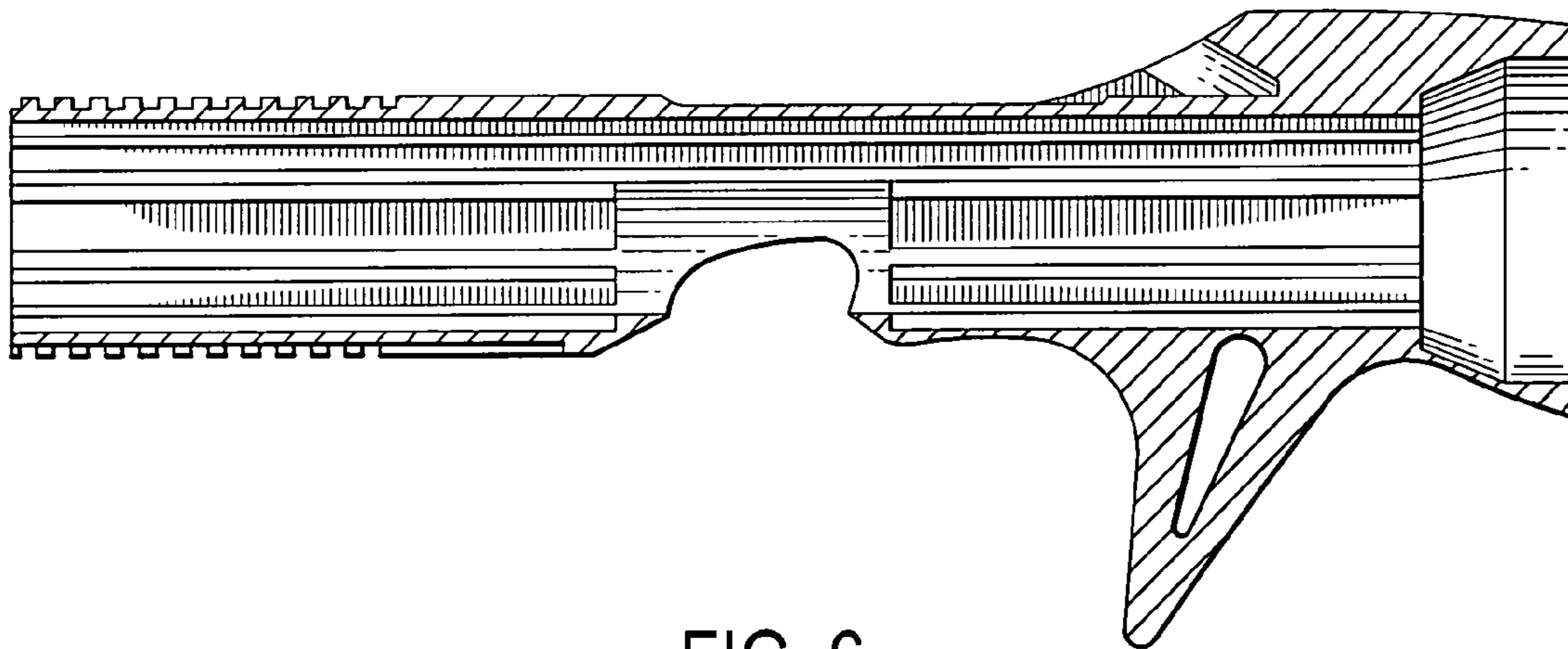


FIG. 6

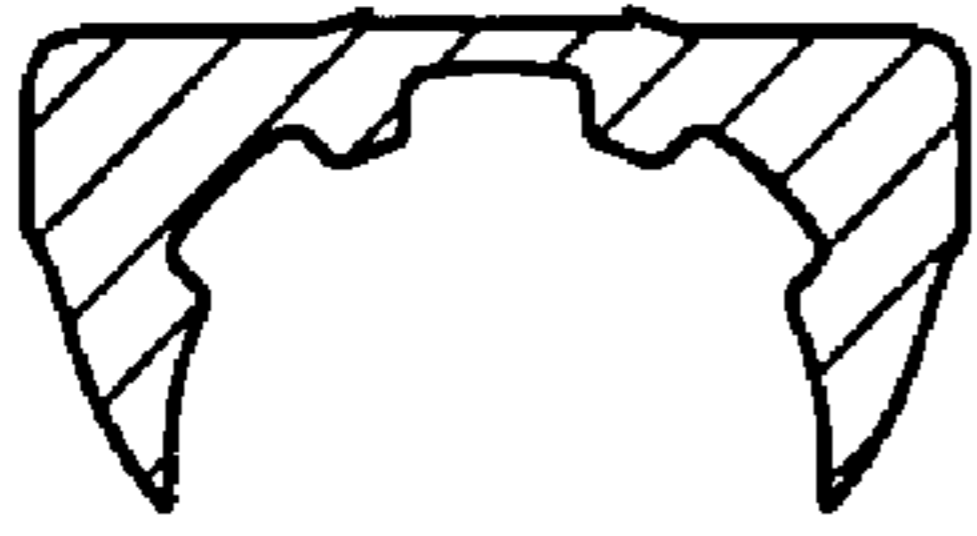


FIG. 7

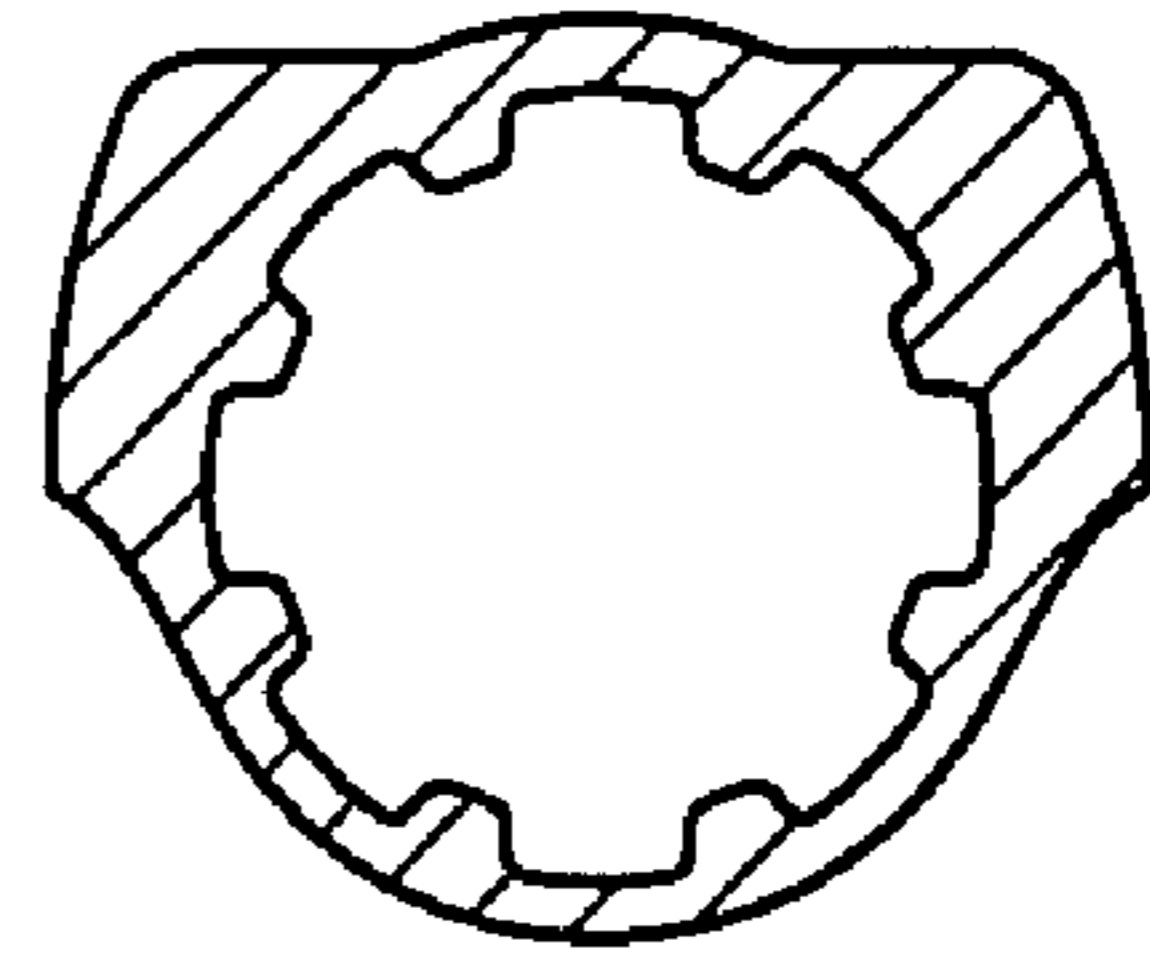


FIG. 8

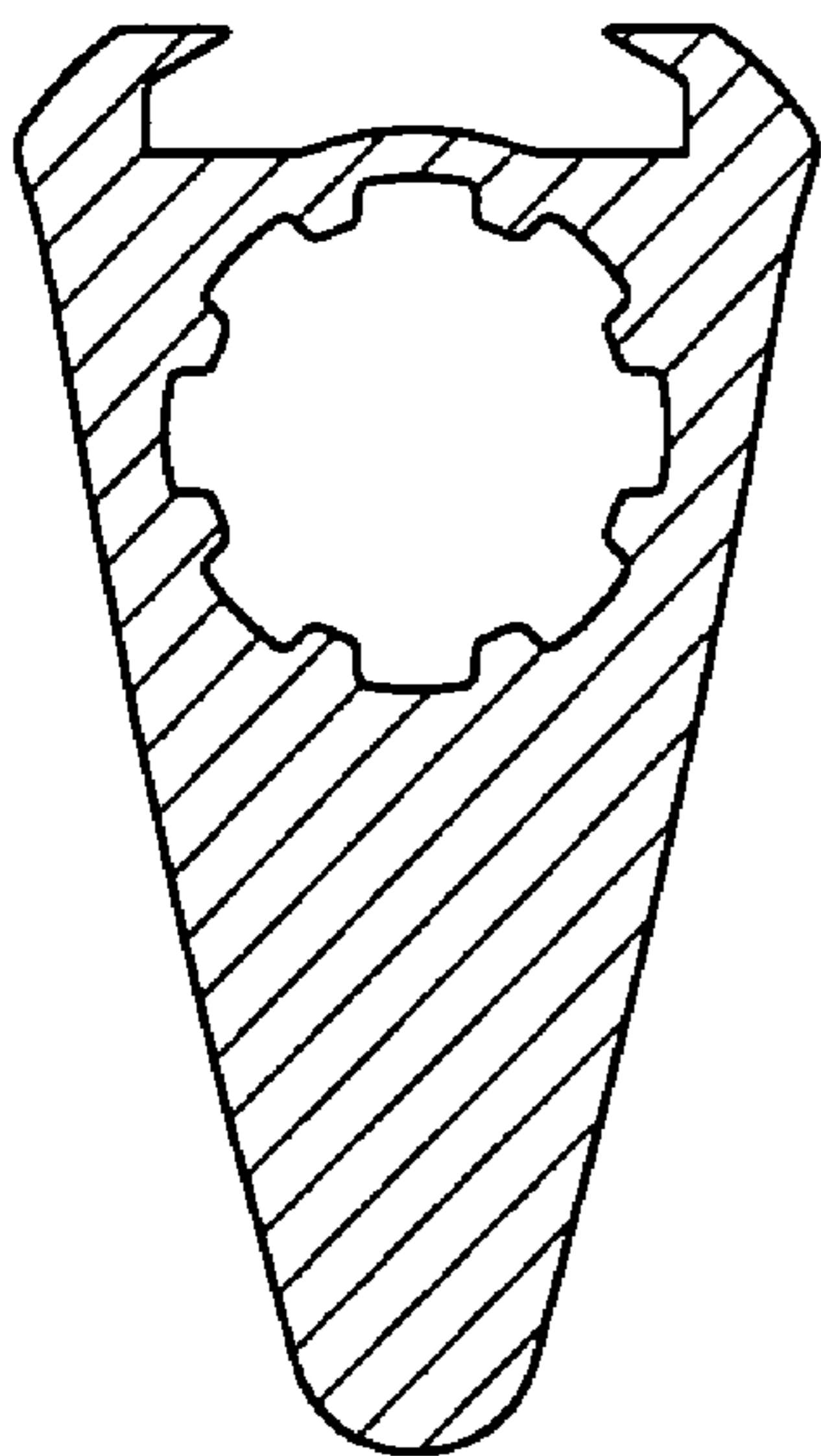


FIG. 9

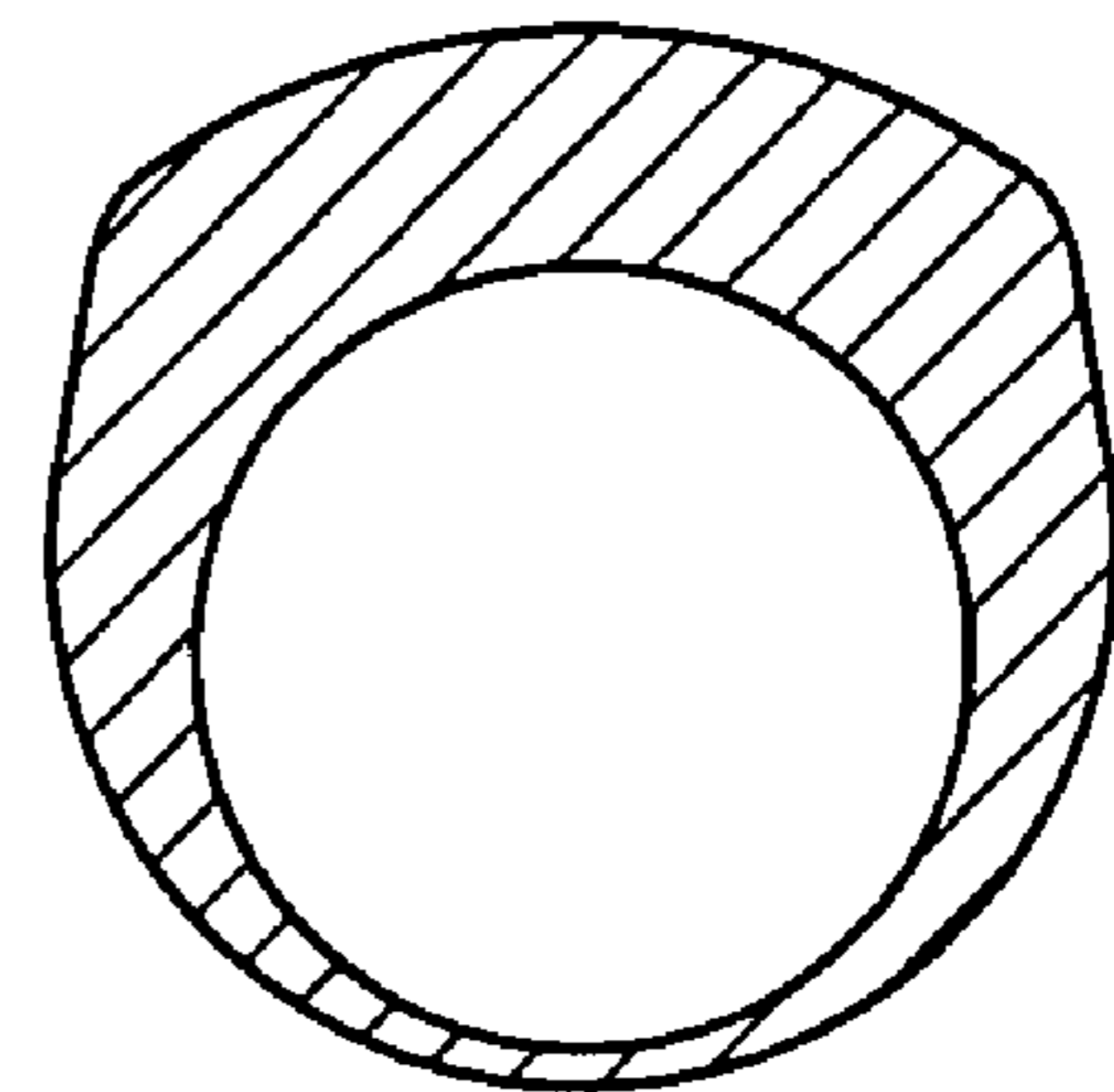


FIG. 10