

US00D569943S

(12) **United States Design Patent**
Greene

(10) **Patent No.:** **US D569,943 S**

(45) **Date of Patent:** **** May 27, 2008**

(54) **BASEBALL SWING TRAINING DEVICE**

(75) Inventor: **Anthony J. Greene**, Charlotte, NC
(US)

(73) Assignee: **QLB, LLC**, Charlotte, NC (US)

(**) Term: **14 Years**

(21) Appl. No.: **29/293,489**

(22) Filed: **Nov. 28, 2007**

(51) **LOC (8) Cl.** **21-02**

(52) **U.S. Cl.** **D21/780**

(58) **Field of Classification Search** D21/698,
D21/780; 473/415-504; 434/247
See application file for complete search history.

(56) **References Cited**

U.S. PATENT DOCUMENTS

4,225,133	A *	9/1980	Kiray	473/457
D307,042	S *	4/1990	Kathriner et al.	D21/780
D373,396	S *	9/1996	Malwitz	D21/780
6,500,078	B1 *	12/2002	Williams et al.	473/452
6,926,625	B1 *	8/2005	Fruechting	473/452
2005/0221918	A1 *	10/2005	Sharrocks	473/446
2007/0060421	A1 *	3/2007	Distefano	473/452
2007/0243955	A1 *	10/2007	Du Brock	473/452

* cited by examiner

Primary Examiner—Catherine Tuttle

(74) *Attorney, Agent, or Firm*—Kennedy Covington Lobdell
& Hickman, LLP

(57) **CLAIM**

The ornamental design for a baseball swing training device,
as shown.

DESCRIPTION

FIG. 1 is a perspective view of a baseball swing training device showing my new design;

FIG. 2 is a top plan view of the baseball swing training device of FIG. 1;

FIG. 3 is a right side elevational view of the baseball swing training device of FIG. 1;

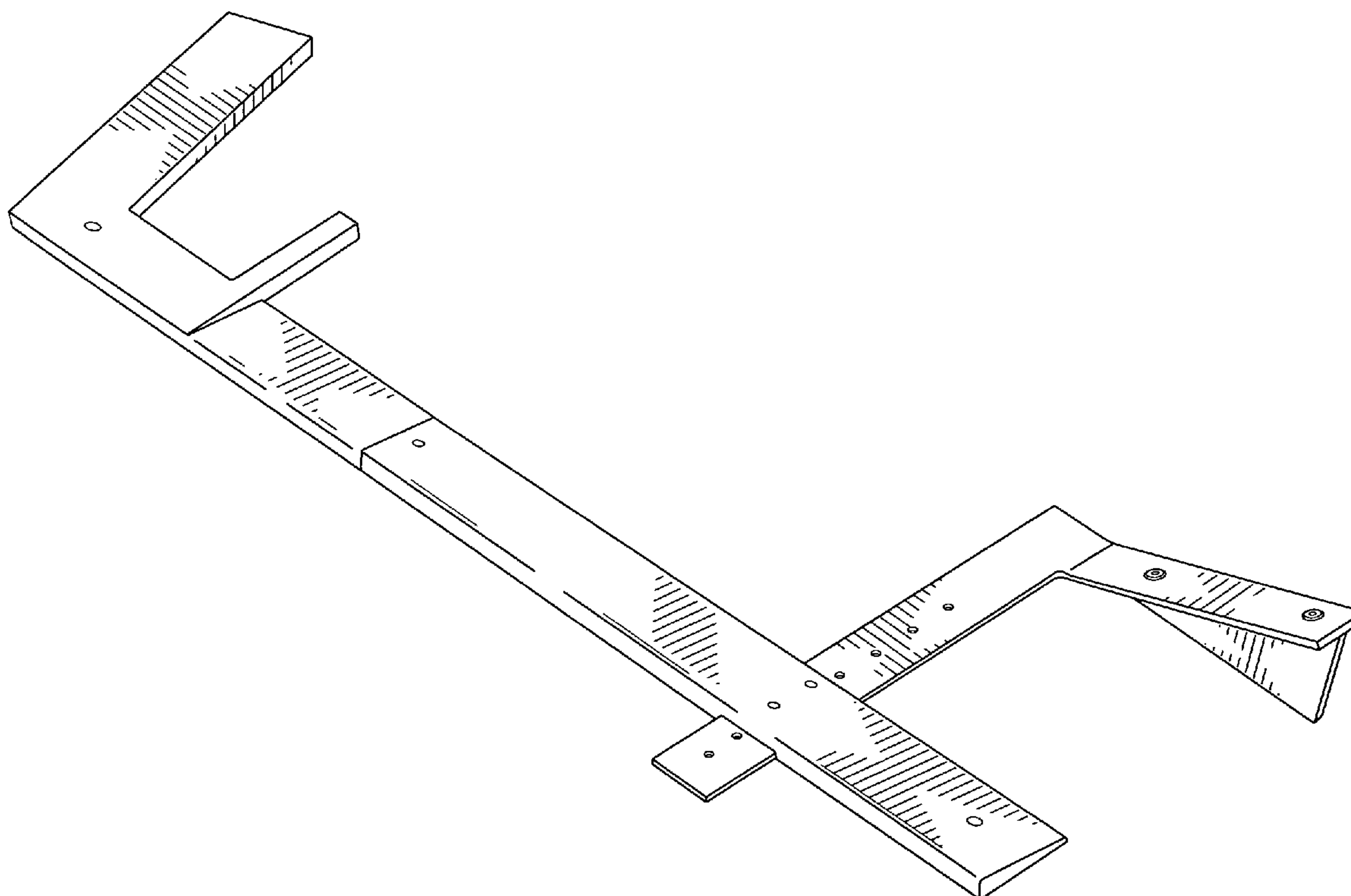
FIG. 4 is a bottom top plan view of the baseball swing training device of FIG. 1;

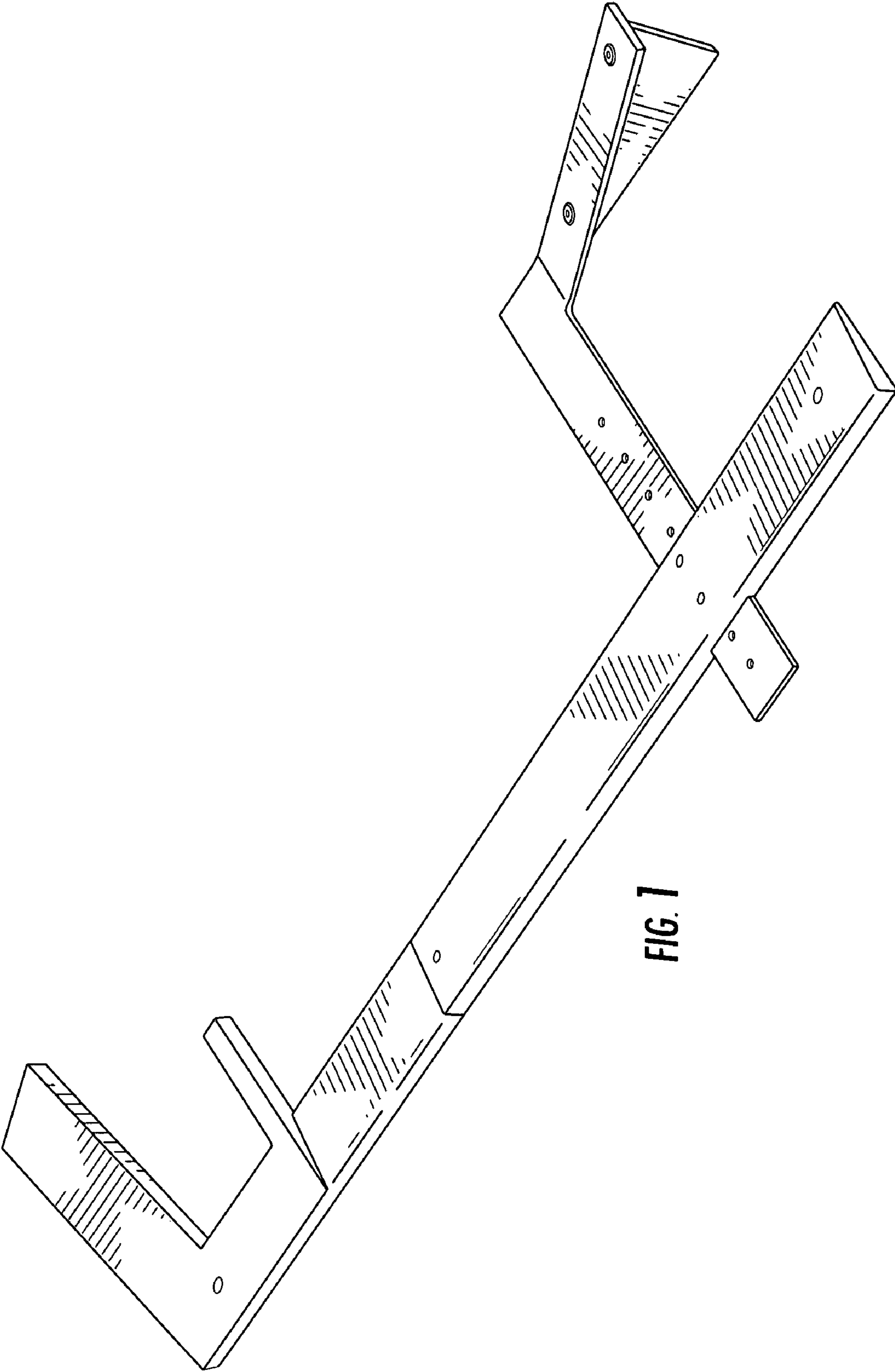
FIG. 5 is a left side elevational view of the baseball swing training device of FIG. 1;

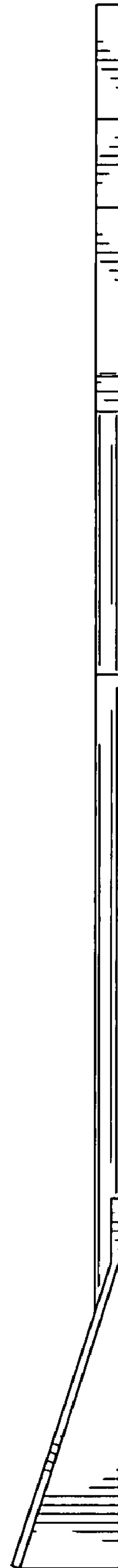
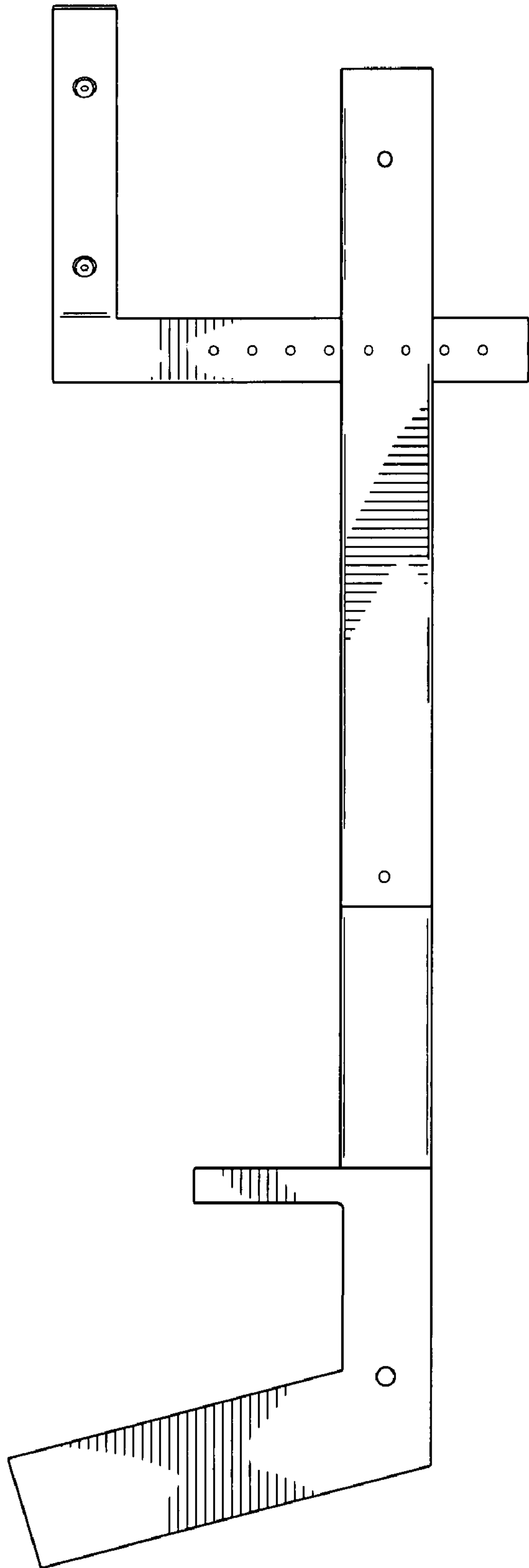
FIG. 6 is a front elevational view of the baseball swing training device of FIG. 1; and,

FIG. 7 is a rear elevational view of the baseball swing training device of FIG. 1.

1 Claim, 4 Drawing Sheets







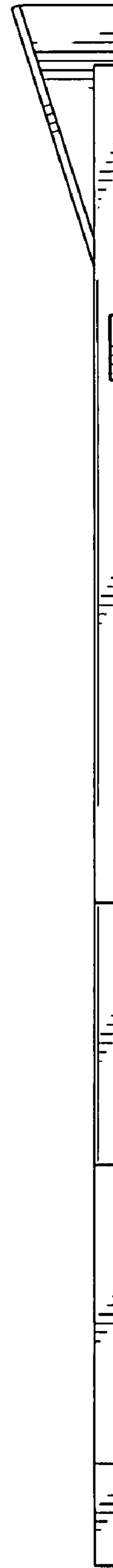
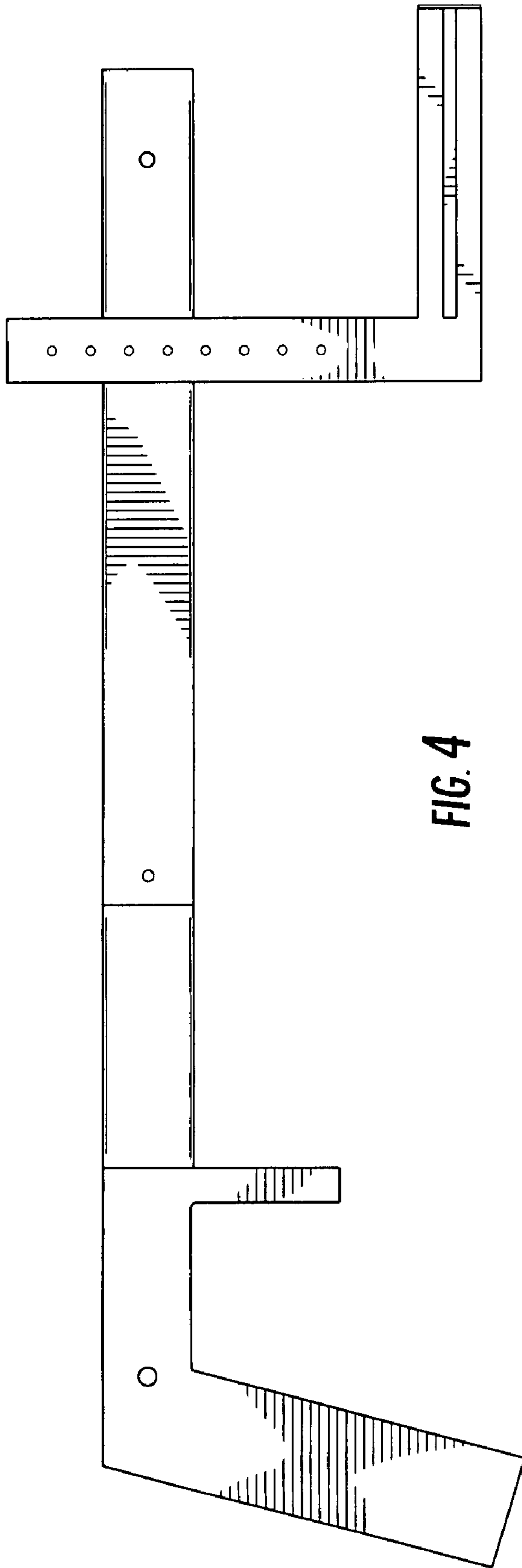




FIG. 6



FIG. 7