



US00D569930S

(12) **United States Design Patent**
Nehrbas

(10) **Patent No.:** **US D569,930 S**

(45) **Date of Patent:** **** May 27, 2008**

(54) **RECTILINEAR GOLF PUTTER HEAD**

(76) Inventor: **George M. Nehrbas**, 187 Norwich H,
West Palm Beach, FL (US) 33417

(**) Term: **14 Years**

(21) Appl. No.: **29/277,312**

(22) Filed: **Feb. 21, 2007**

(51) **LOC (8) Cl.** **21-02**

(52) **U.S. Cl.** **D21/744**

(58) **Field of Classification Search** D21/736-746;
473/324-331, 340-341, 251-256

See application file for complete search history.

(56) **References Cited**

U.S. PATENT DOCUMENTS

D326,303 S *	5/1992	Cameron	D21/743
D393,892 S *	4/1998	Duclos	D21/746
D419,627 S *	1/2000	Wheatley	D21/743
D520,088 S *	5/2006	Parr	D21/744

D533,244 S * 12/2006 Kroll, Jr. D21/746

* cited by examiner

Primary Examiner—Mitchell I Siegel

(74) *Attorney, Agent, or Firm*—McHale & Slavin, P.A.

(57) **CLAIM**

The ornamental design for a rectilinear golf putter head, as shown and described.

DESCRIPTION

FIG. 1 is a top perspective view of the rectilinear golf putter head of the instant invention;

FIG. 2 is a top view of the instant invention;

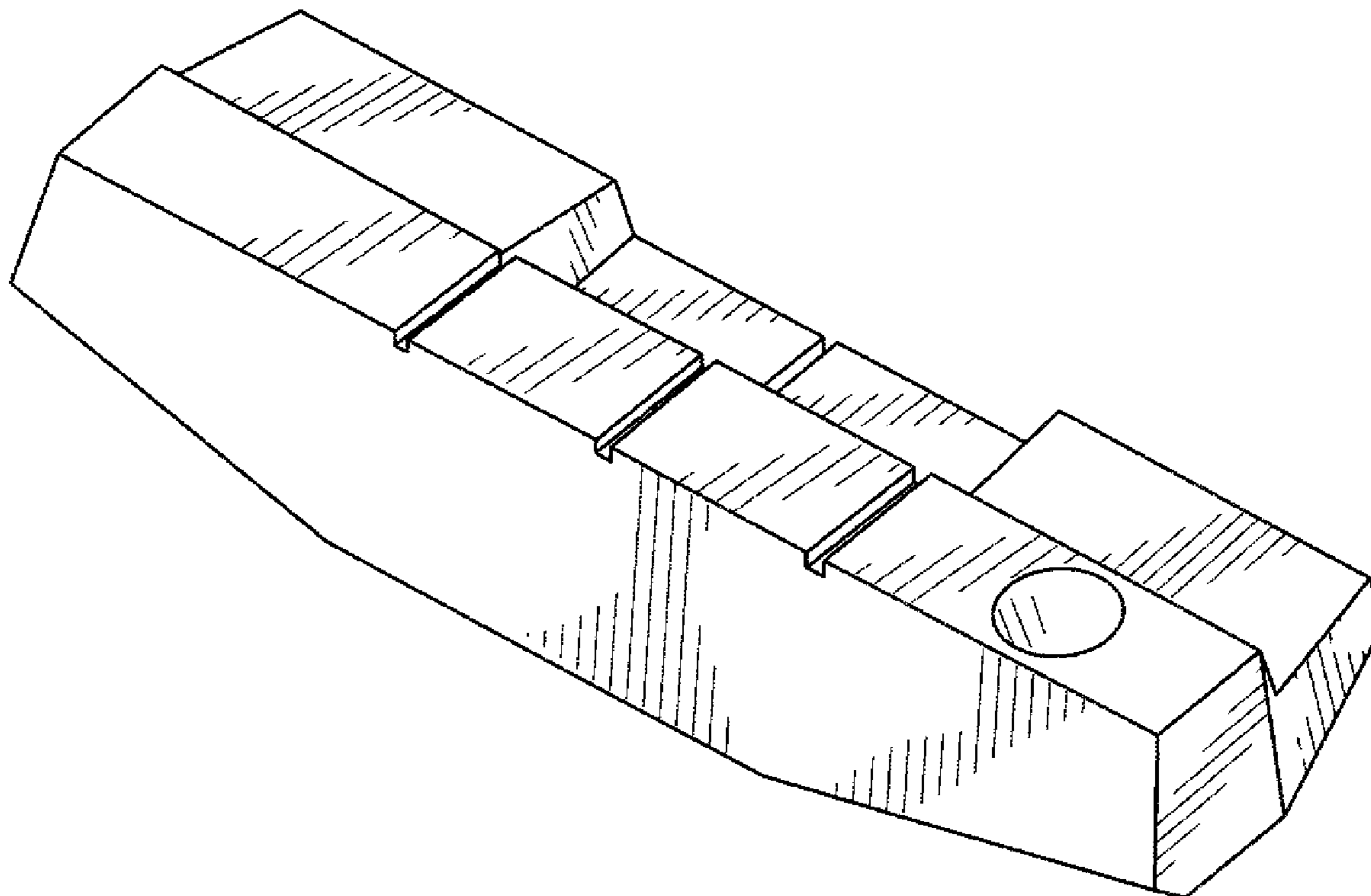
FIG. 3 is a front view of the instant invention;

FIG. 4 is a left end view of the instant invention, the right end view being identical thereto;

FIG. 5 is a bottom view of the instant invention; and,

FIG. 6 is a rear view of the instant invention.

1 Claim, 2 Drawing Sheets



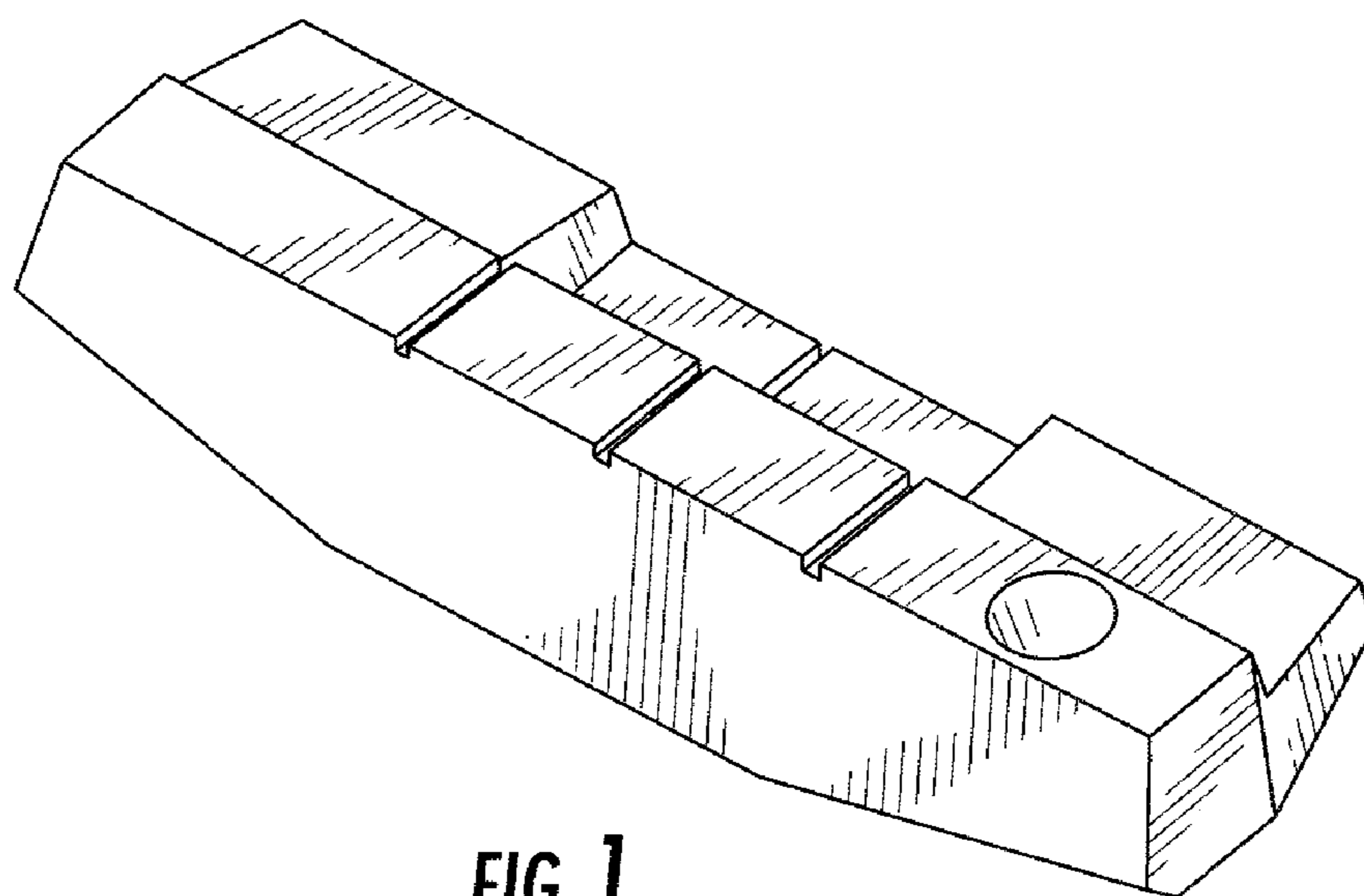


FIG. 1

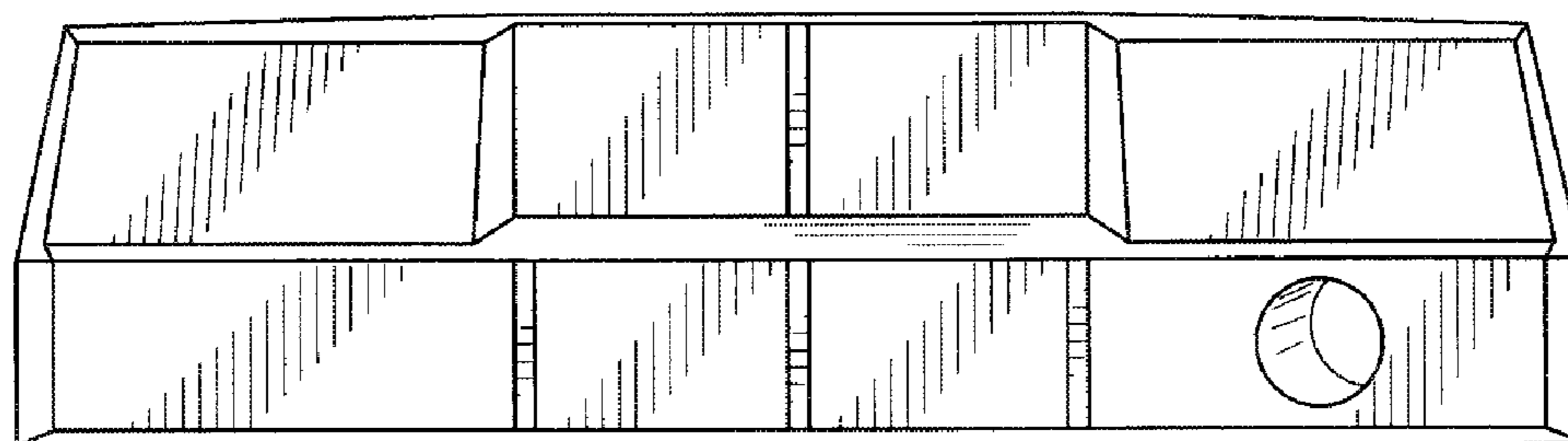


FIG. 2

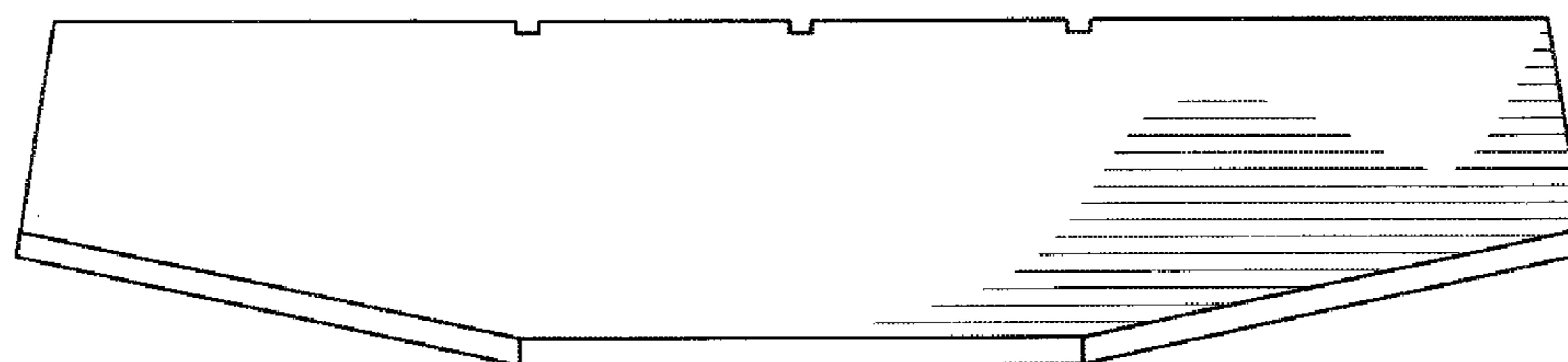


FIG. 3

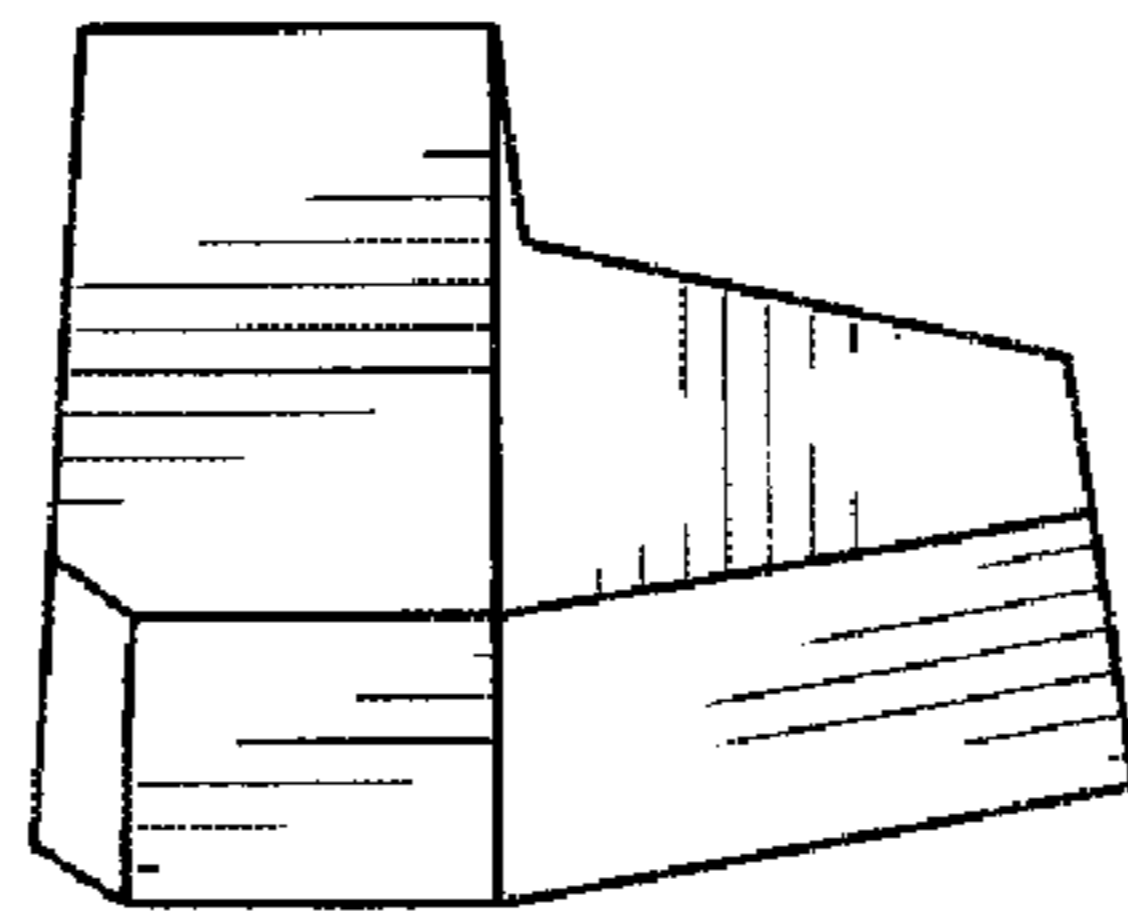


FIG. 4

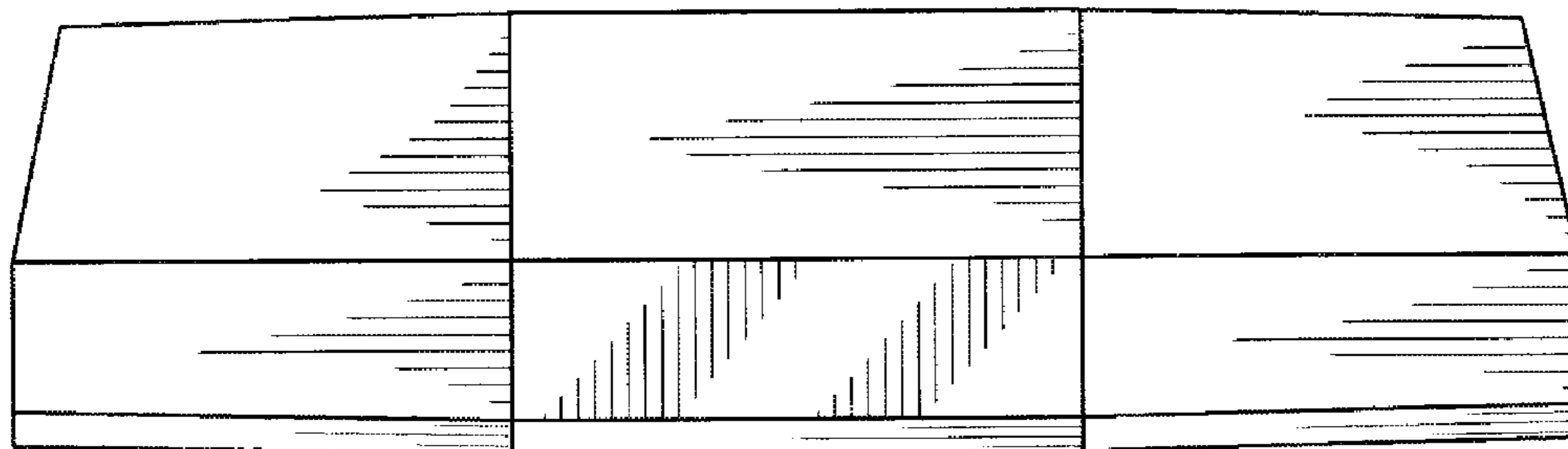


FIG. 5

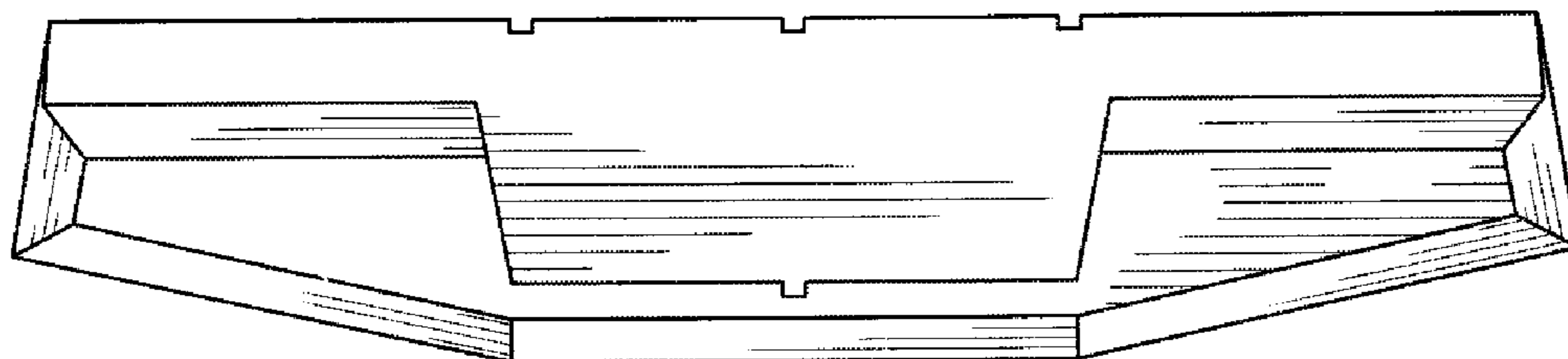


FIG. 6