



US00D569928S

(12) **United States Design Patent**
Hiller

(10) **Patent No.:** **US D569,928 S**

(45) **Date of Patent:** **** May 27, 2008**

(54) **GOLF CLUB PUTTER**

(76) Inventor: **Gary Hiller**, 6619 - 255th St., Ct. E.,
Graham, WA (US) 98338-7157

(**) Term: **14 Years**

(21) Appl. No.: **29/278,191**

(22) Filed: **Mar. 21, 2007**

(51) **LOC (8) Cl.** **21-02**

(52) **U.S. Cl.** **D21/735**

(58) **Field of Classification Search** D21/735-746;
473/324-331, 340-341

See application file for complete search history.

(56) **References Cited**

U.S. PATENT DOCUMENTS

D85,510 S	6/1931	Beach	
D208,984 S	10/1967	Huelsman	
D240,947 S	8/1976	Pomper	
D355,233 S	2/1995	Burdick	
D434,818 S *	12/2000	Laninfa	D21/735
6,251,027 B1	6/2001	Buchanan	
D448,057 S *	9/2001	Hoal	D21/736
D457,210 S *	5/2002	Noda	D21/736
D458,979 S	6/2002	Hill et al.	
D509,273 S *	9/2005	Morris et al.	D21/742
D510,114 S	9/2005	Lizenbery	

D517,141 S	3/2006	Niwa	
D517,624 S *	3/2006	Wilson	D21/746
D538,365 S *	3/2007	Torbett	D21/744
D555,744 S *	11/2007	Graham	D21/735

* cited by examiner

Primary Examiner—Mitchell I Siegel

(74) *Attorney, Agent, or Firm*—R. Reams Goodloe, Jr.

(57) **CLAIM**

The ornamental design of a golf club putter, as shown and described.

DESCRIPTION

FIG. 1 is a perspective view of a golf club putter showing my new design;

FIG. 2 is a side elevational view thereof;

FIG. 3 is a side elevation view opposite of FIG. 2;

FIG. 4 is a top plan view of FIG. 1;

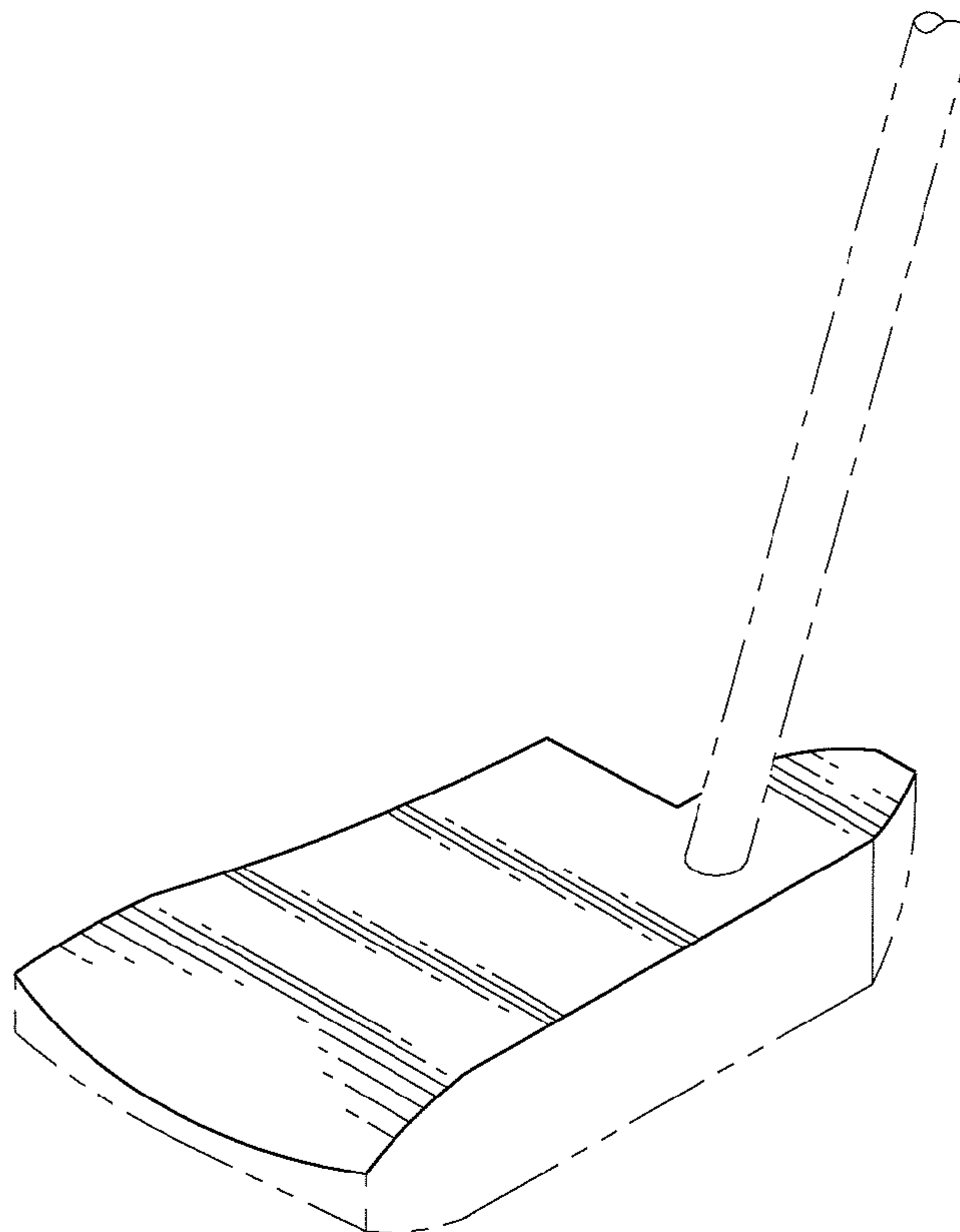
FIG. 5 is a bottom plan view of FIG. 1;

FIG. 6 is an inverted front view of FIG. 1; and,

FIG. 7 is a rear view of FIG. 1.

Those portions and features shown in broken lines are unclaimed subject matter.

1 Claim, 2 Drawing Sheets



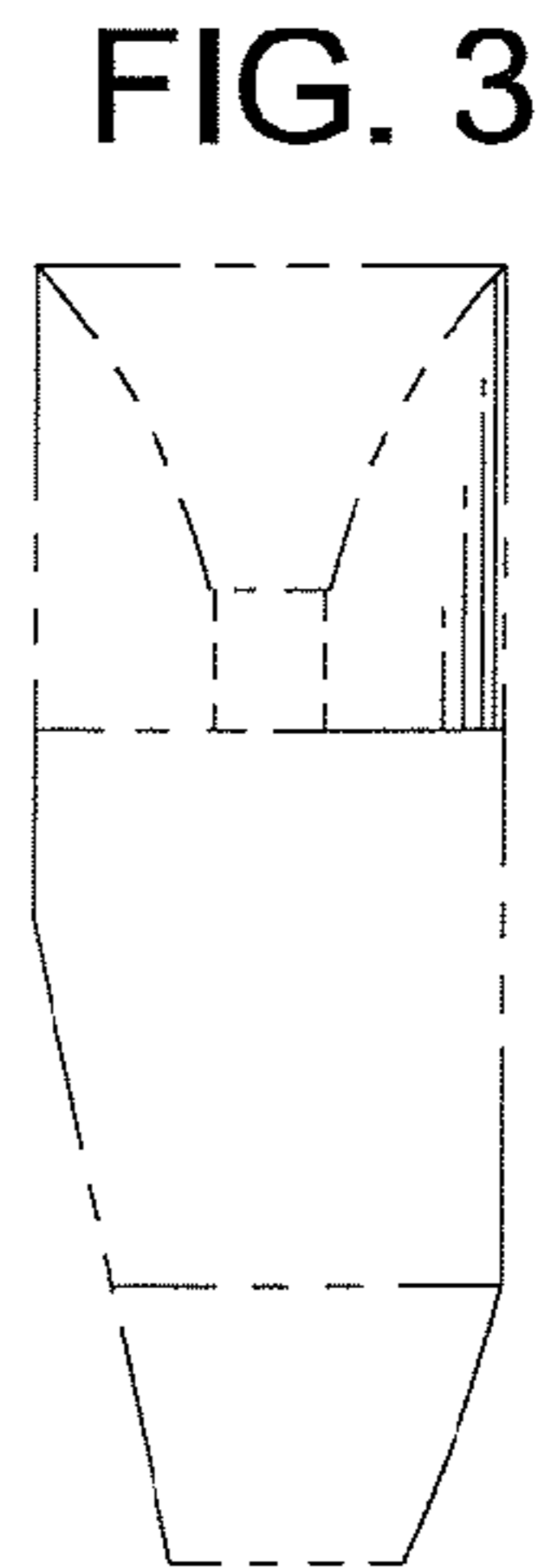
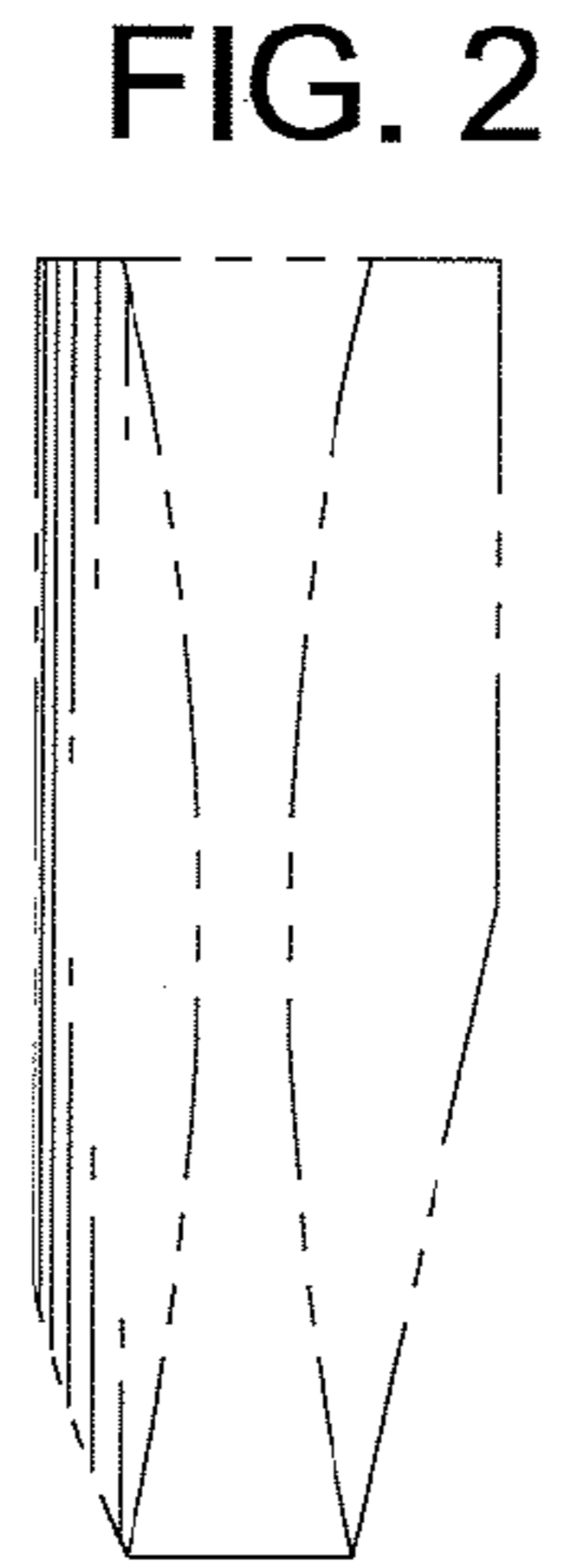
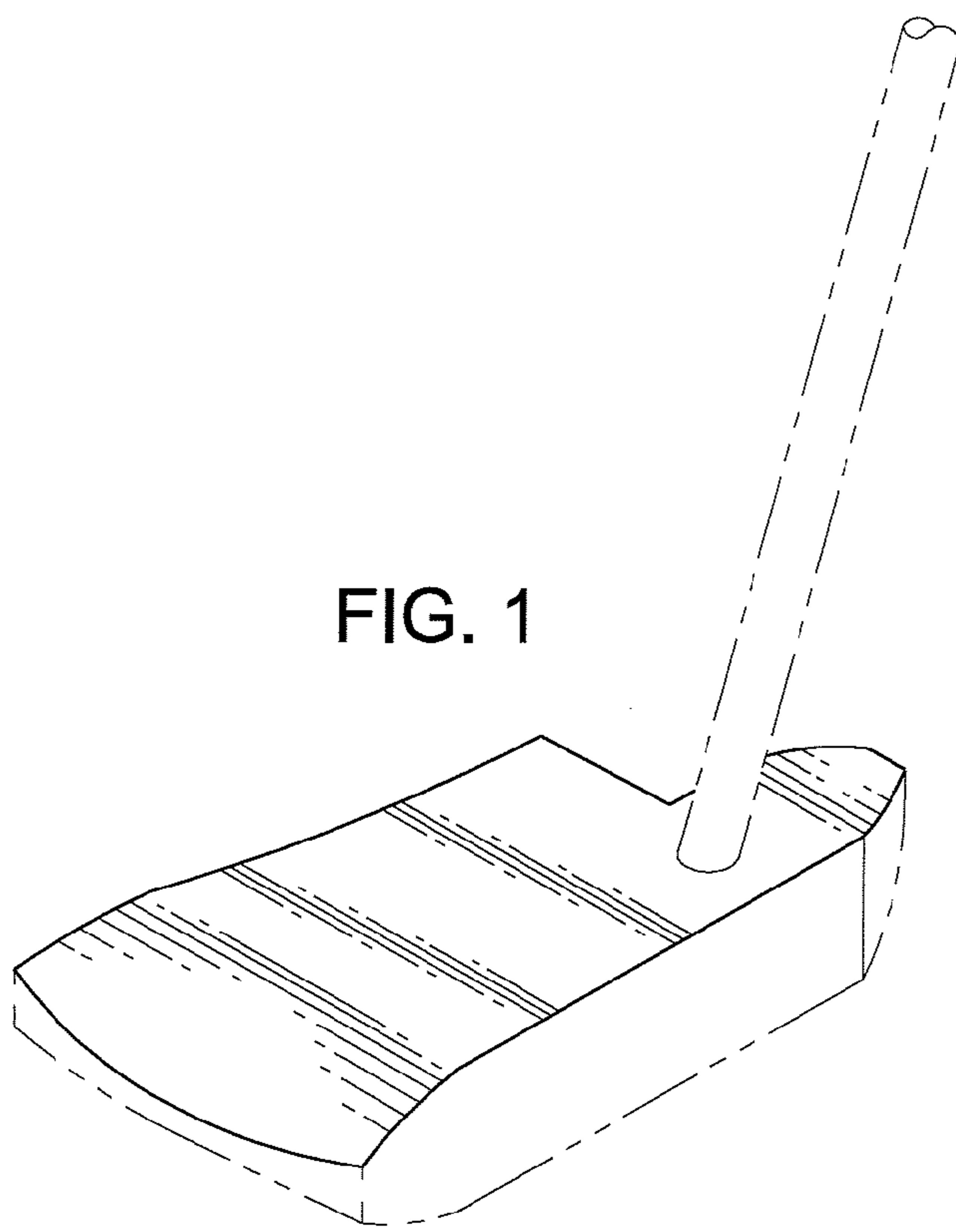


FIG. 4

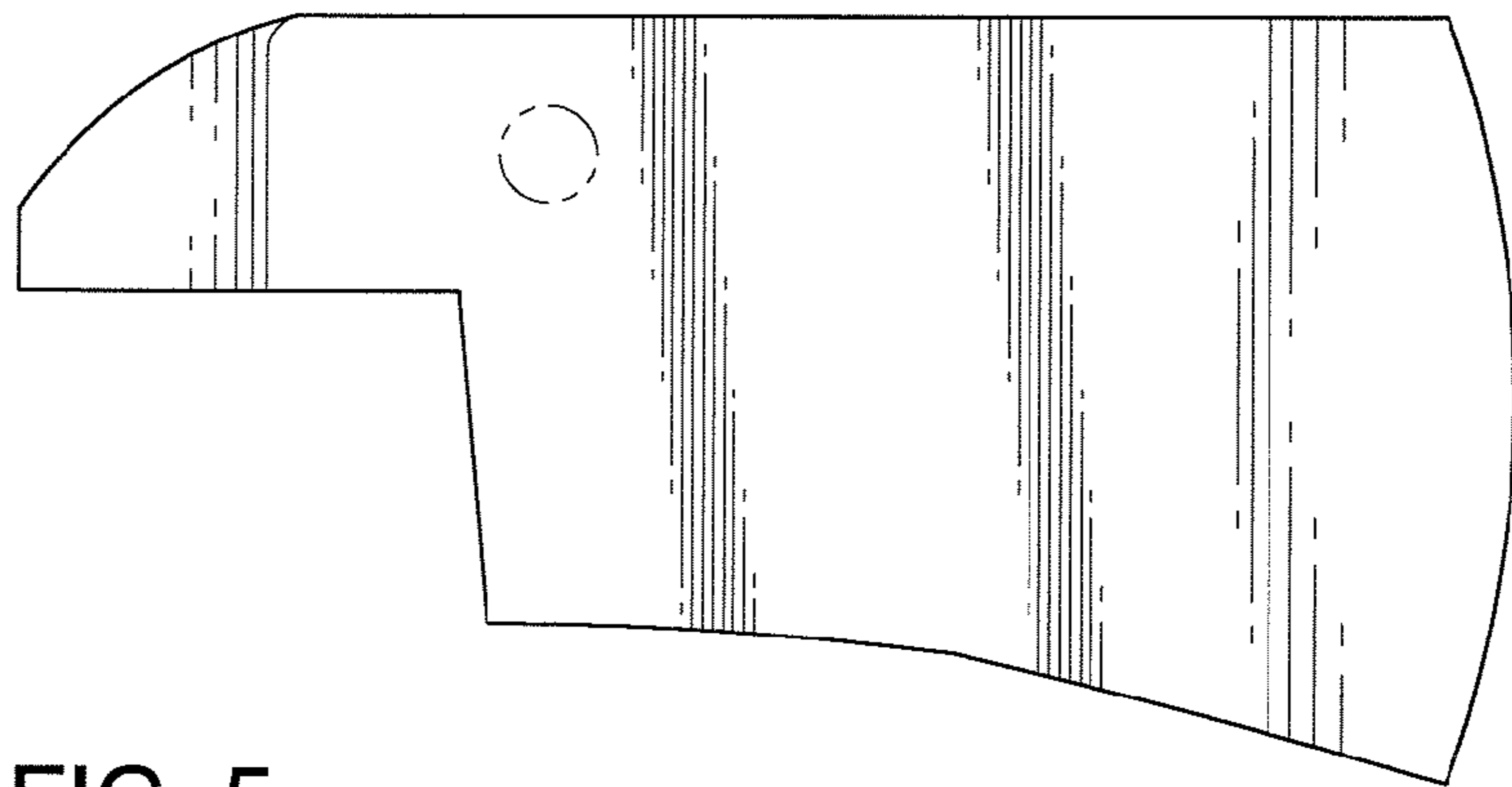


FIG. 5

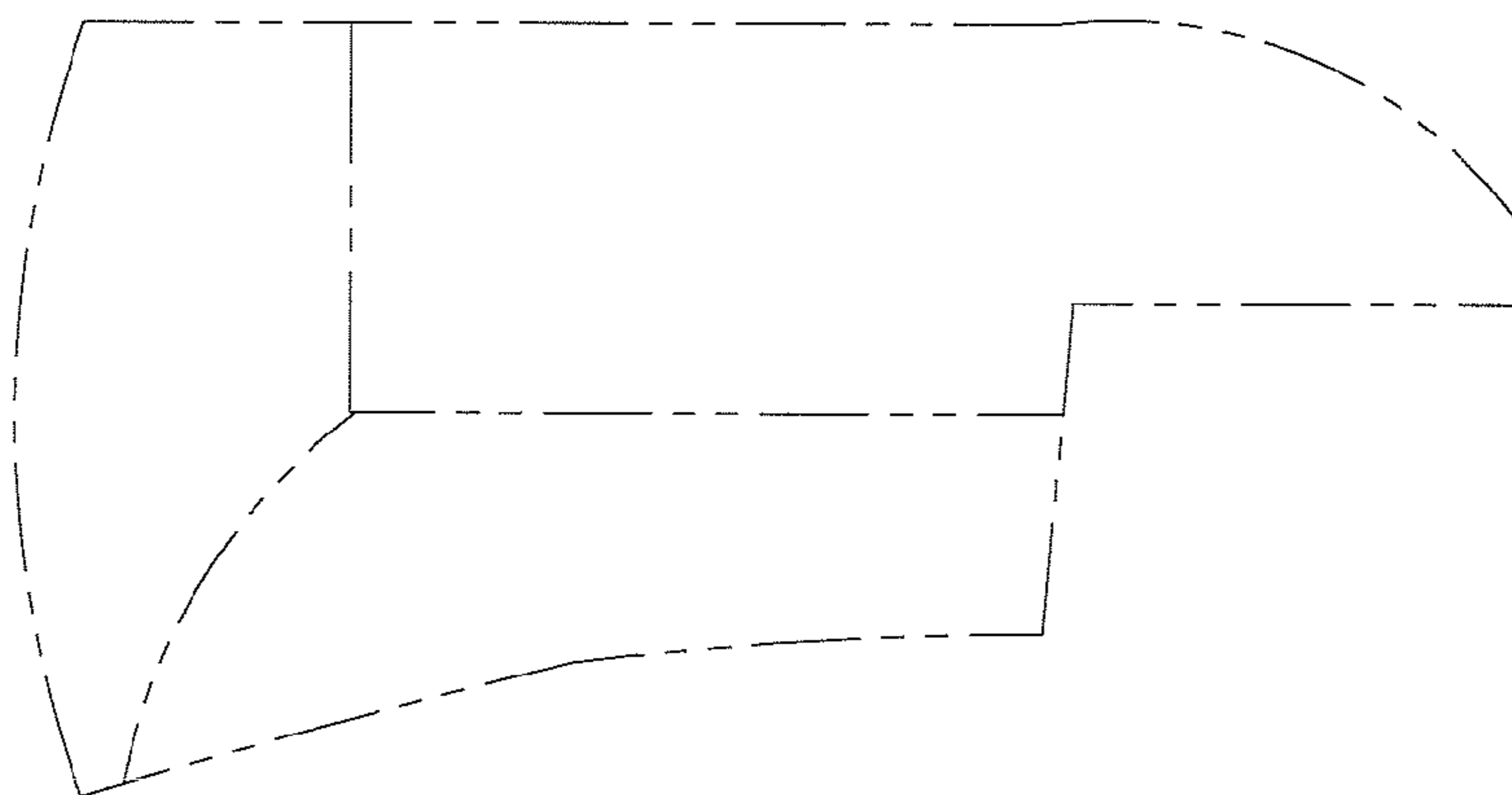


FIG. 6



FIG. 7

