

US00D569927S

(12) **United States Design Patent**
Kuehne et al.

(10) **Patent No.:** **US D569,927 S**

(45) **Date of Patent:** **** May 27, 2008**

(54) **BASKETBALL**

(75) Inventors: **Michael K. Kuehne**, Naperville, IL
(US); **Kevin L. Krysiak**, Chicago, IL
(US)

(73) Assignee: **Wilson Sporting Goods Co.**, Chicago,
IL (US)

(**) Term: **14 Years**

(21) Appl. No.: **29/206,334**

(22) Filed: **May 28, 2004**

(51) **LOC (8) Cl.** **21-02**

(52) **U.S. Cl.** **D21/713**

(58) **Field of Classification Search** D21/707-714;
473/569-614

See application file for complete search history.

(56) **References Cited**

U.S. PATENT DOCUMENTS

1,240,866	A *	9/1917	Miller	473/596
1,559,117	A	10/1925	Maynard		
1,931,429	A	10/1933	Buckner et al.		
D95,034	S	4/1935	Frederick		
2,011,760	A	8/1935	Gallinant		
2,116,479	A	5/1938	Reach		
2,761,684	A *	9/1956	Crowley et al.	473/605
3,119,618	A *	1/1964	Molitor et al.	473/599
3,405,018	A	10/1968	Way		
RE27,106	E	3/1971	Henderson		
D232,957	S	9/1974	Kahelin		
4,867,452	A	9/1989	Finley		
5,133,550	A	7/1992	Handy		
5,183,263	A	2/1993	Kuebler		
5,228,687	A	7/1993	Luecke et al.		
5,451,046	A	9/1995	Batton		
5,588,648	A *	12/1996	Stebbins	473/451
5,681,233	A	10/1997	Guenther et al.	473/605

5,762,573	A	6/1998	Kennedy, III et al.	473/570
5,931,752	A	8/1999	Guenther et al.	473/597
5,967,917	A	10/1999	Feeney et al.	473/604
5,984,812	A	11/1999	Sassak	473/596
6,123,633	A	9/2000	Guenther et al.	473/604
6,200,239	B1	3/2001	Kennedy, III et al.	473/604
6,206,795	B1	3/2001	Ou	473/599
6,398,894	B1 *	6/2002	Lee	156/147
6,520,877	B1 *	2/2003	Yang	473/604
D478,641	S *	8/2003	Kuehne	D21/713
6,634,970	B2	10/2003	Jiminez	473/597
6,645,099	B2	11/2003	Gaff et al.	473/596
2002/0098928	A1 *	7/2002	Ou	473/604

OTHER PUBLICATIONS

Hong Kong Toys Jan. 2003, p. 614: ball on upper left indicated by arrow.*

* cited by examiner

Primary Examiner—Catherine Tuttle

(74) *Attorney, Agent, or Firm*—Terence P. O'Brien

(57) **CLAIM**

We claim the ornamental design for a basketball, as shown and described.

DESCRIPTION

FIG. 1 is a front view of a basketball of the present design;

FIG. 2 is a side view of the basketball of FIG. 1;

FIG. 3 is an opposing side view of the basketball of FIG. 1; and,

FIG. 4 is a rear view of the basketball of FIG. 1.

The ornamental design that is claimed is shown in solid lines in the drawings. The broken (dashed) lines shown in FIGS. 1 through 4 are included only for the purpose of illustrating environmental elements, and form no part of the claimed design.

1 Claim, 4 Drawing Sheets

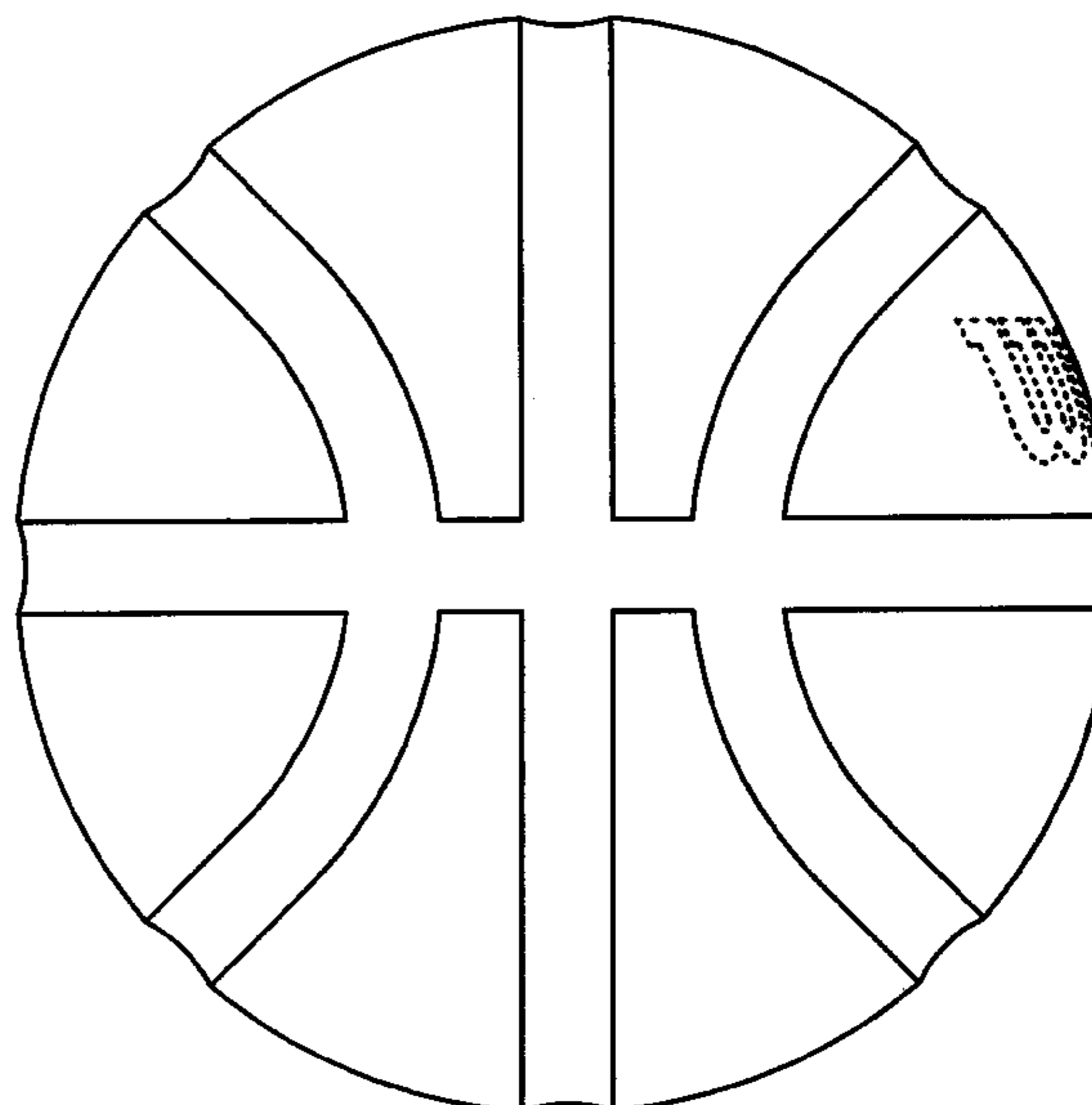
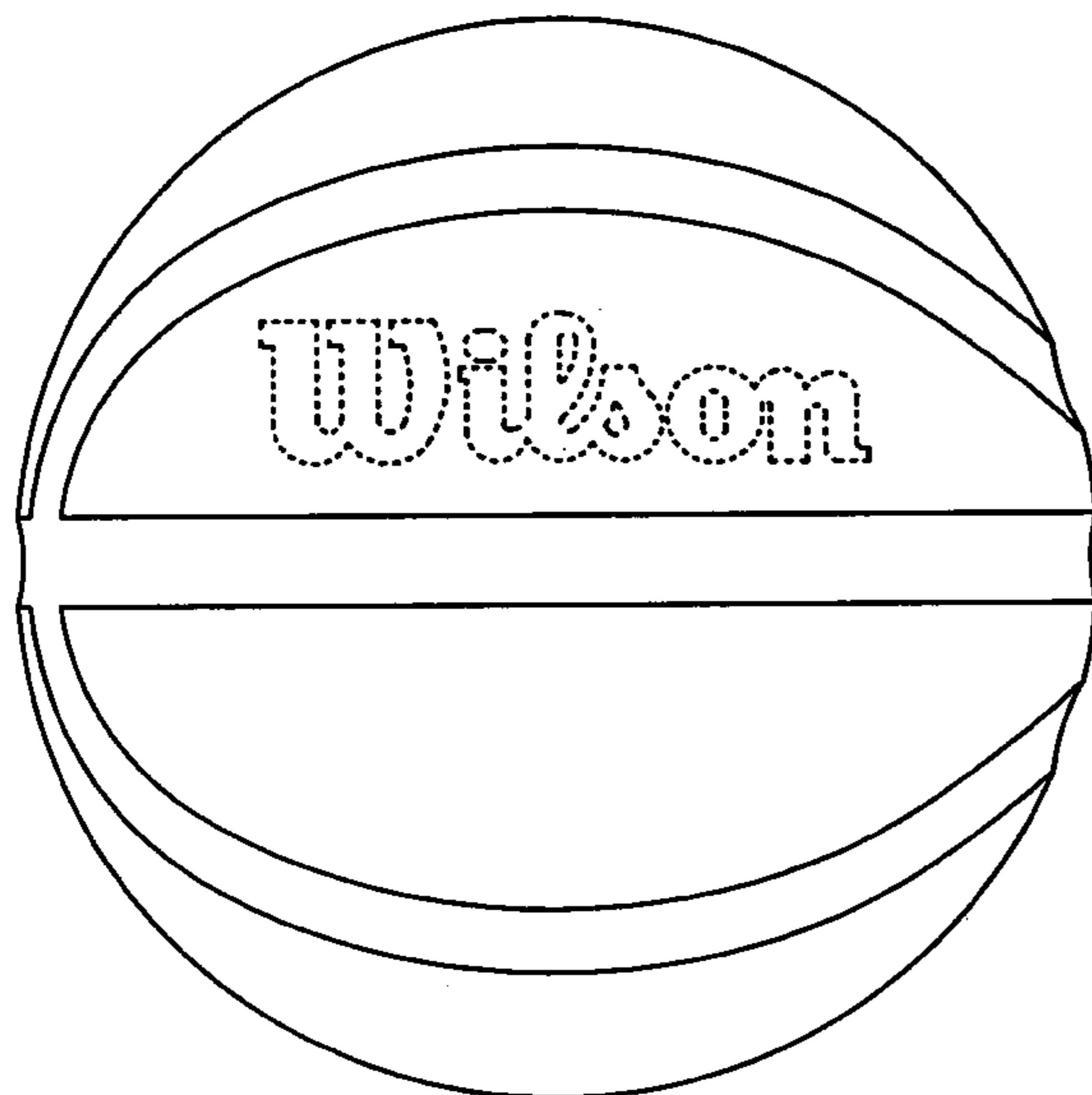


FIG.1

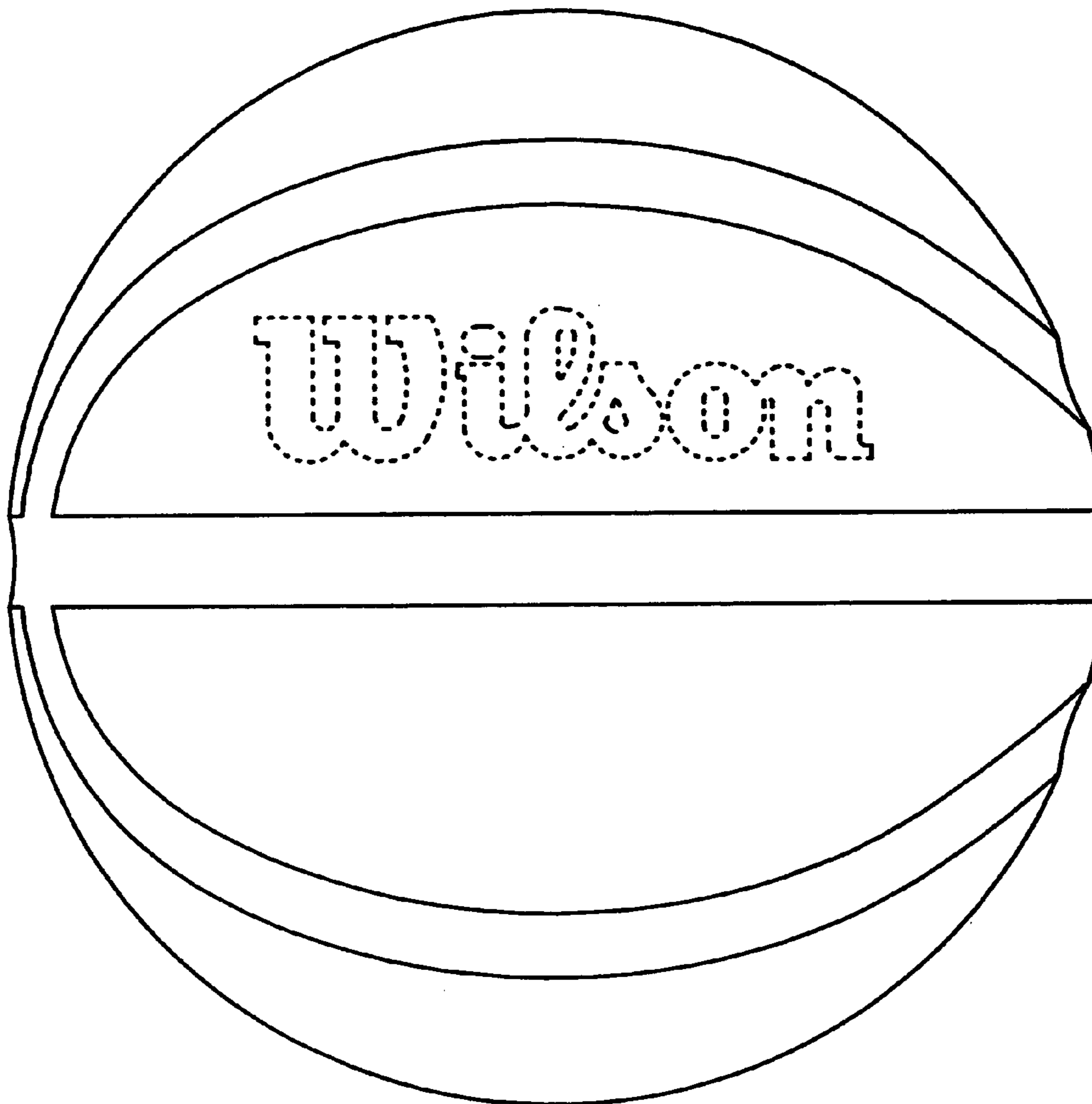


FIG.2

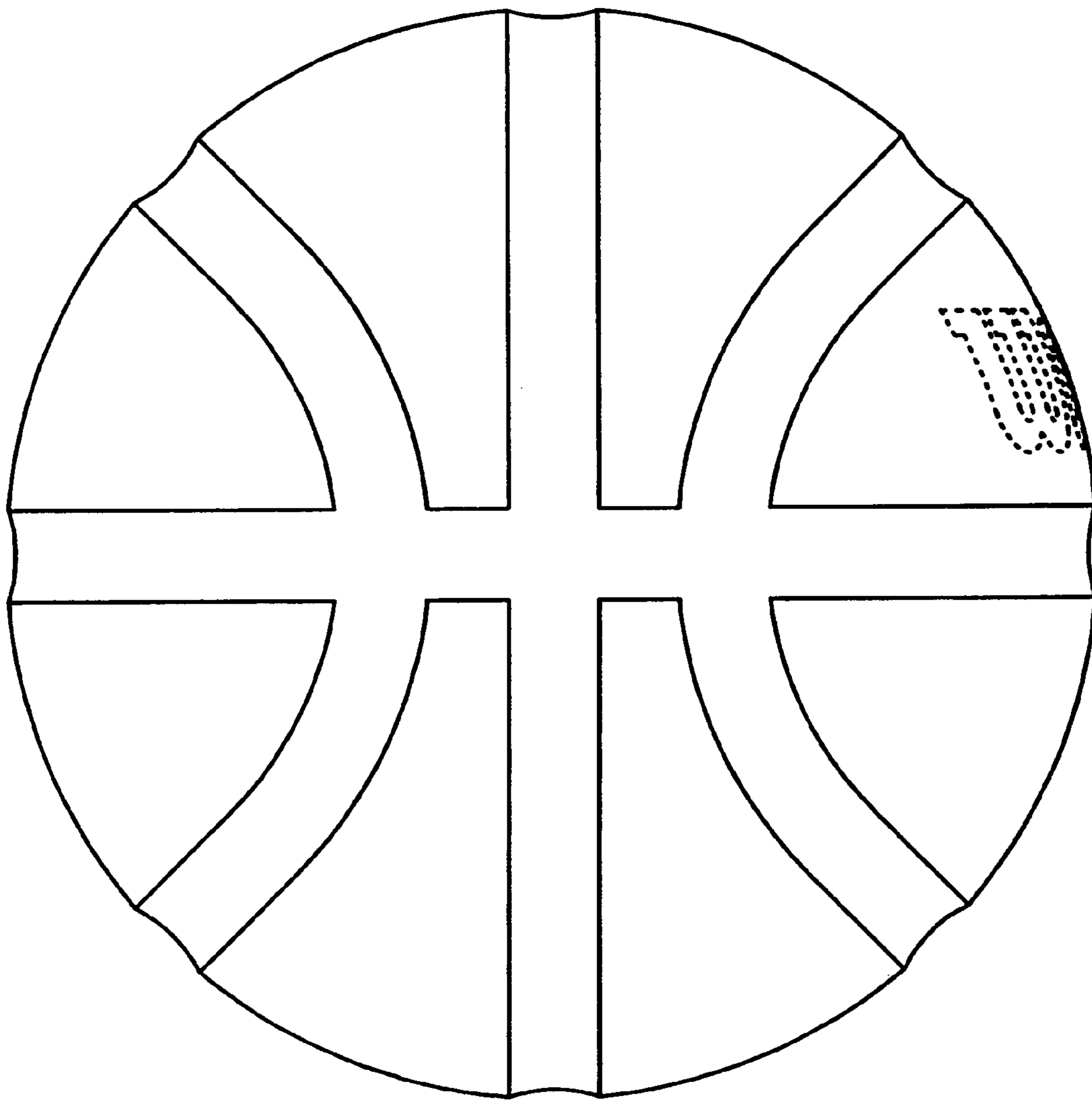


FIG.3

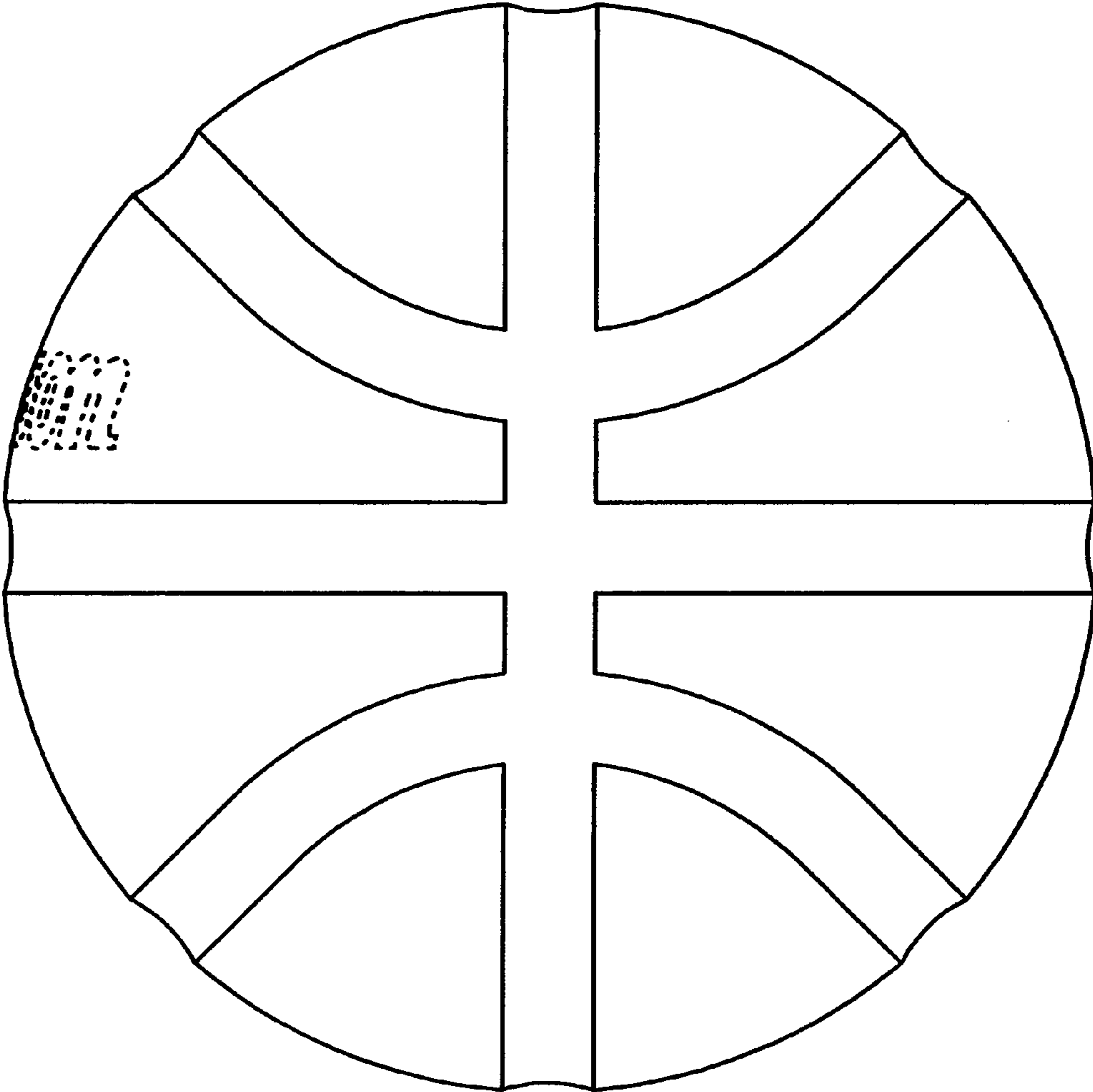


FIG.4

