



US00D569926S

(12) **United States Design Patent**
Bingham, Jr. et al.

(10) **Patent No.: US D569,926 S**

(45) **Date of Patent: ** May 27, 2008**

(54) **EXERCISE MACHINE**

5,716,305 A 2/1998 Selsam
D401,644 S * 11/1998 Chen D21/663

(75) Inventors: **Robert J. Bingham, Jr.**, Woodinville, WA (US); **Christopher Loew**, Palo Alto, CA (US); **Ryan J. Selby**, Seattle, WA (US)

(Continued)

(73) Assignee: **LeMond Fitness, Inc.**, Woodinville, WA (US)

Primary Examiner—Philip S Hyder
(74) *Attorney, Agent, or Firm*—Davis Wright Tremaine LLP; George C. Rondeau, Jr.

(**) Term: **14 Years**

(57) **CLAIM**

(21) Appl. No.: **29/297,931**

The ornamental design for an exercise machine, as shown and described.

(22) Filed: **Nov. 21, 2007**

Related U.S. Application Data

DESCRIPTION

(62) Division of application No. 29/248,208, filed on Aug. 2, 2006, now Pat. No. Des. 561,276.

(51) **LOC (8) Cl.** **21-02**

(52) **U.S. Cl.** **D21/697**

(58) **Field of Classification Search** D21/662, D21/663, 664, 665, 666, 667, 668, 694, 697; 482/51, 52, 57, 58, 59

See application file for complete search history.

FIG. 1 is a left side elevational view of an exercise machine showing our new design.

FIG. 2 is a top plan view thereof.

FIG. 3 is a bottom plan view thereof.

FIG. 4 is a front elevational view thereof.

FIG. 5 is a rear elevational view thereof.

FIG. 6 is a left side elevational view thereof, the right side elevational view being a mirror image thereof with the pedal in a diametrically opposite position.

FIG. 7 is a left side elevational view of a second embodiment thereof.

FIG. 8 is a top plan view thereof.

FIG. 9 is a bottom plan view thereof.

FIG. 10 is a front elevational view thereof.

FIG. 11 is a rear elevational view thereof; and,

FIG. 12 is a left side elevational view thereof, the right side elevational view being a mirror image thereof with the pedal in a diametrically opposite position.

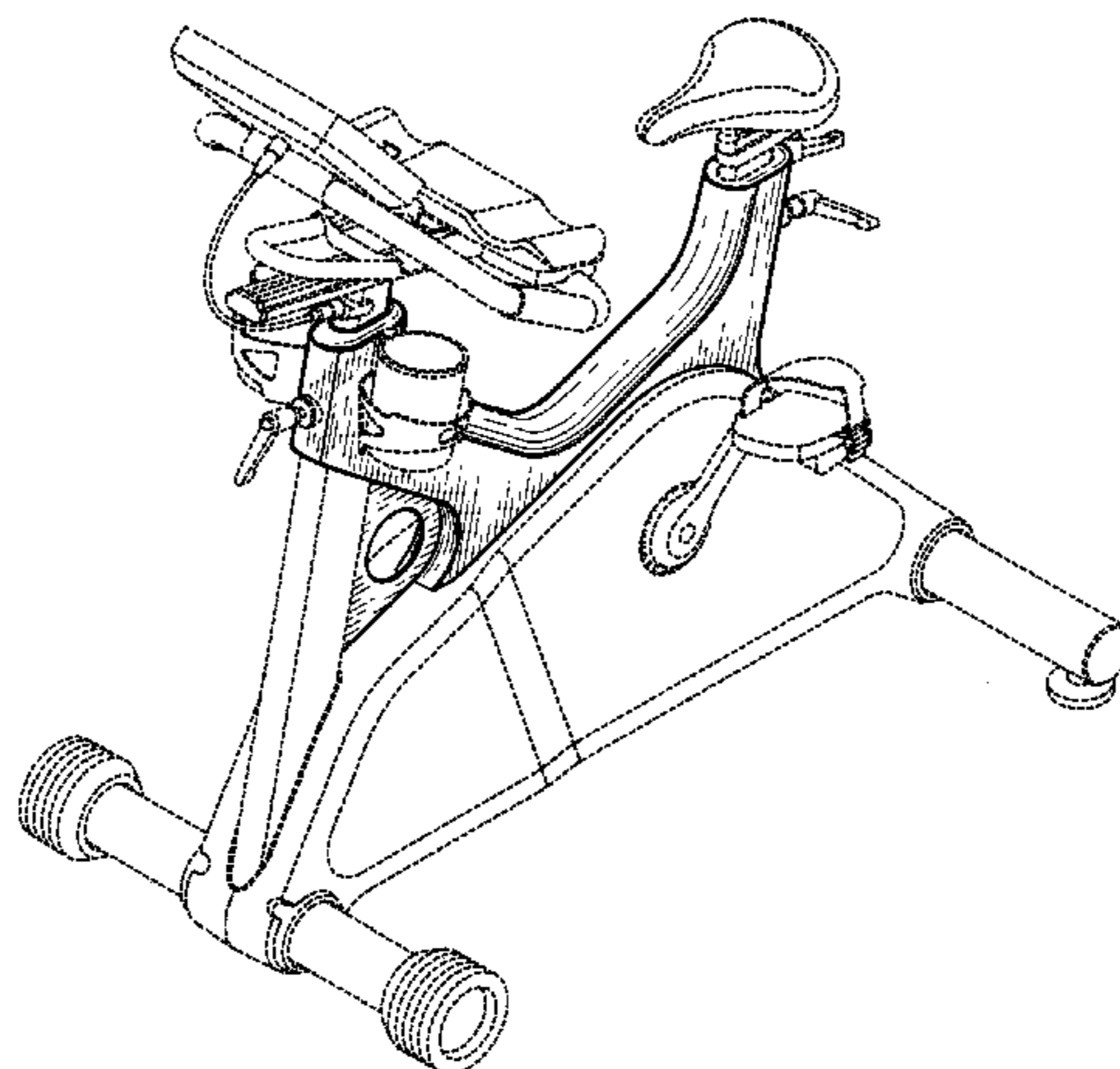
The broken lines are for illustrative purposes only and form no part of the claimed design.

(56) **References Cited**

U.S. PATENT DOCUMENTS

- 1,552,073 A 9/1925 Mansfeldt
- 3,756,592 A 9/1973 Johnson
- 4,575,074 A 3/1986 Damratoski
- 4,720,098 A 1/1988 Gordon
- 4,773,640 A 9/1988 Kolbel et al.
- D299,371 S 1/1989 Tsuyama
- 5,029,849 A 7/1991 Nurkowski
- 5,152,523 A 10/1992 Keen
- D344,313 S 2/1994 Wu
- D344,776 S * 3/1994 Lertyaovarit D21/667
- 5,393,284 A 2/1995 Wesley
- 5,393,285 A 2/1995 Fischer, Sr. et al.
- D357,953 S 5/1995 Warehime et al.
- D366,298 S 1/1996 Wu
- D372,061 S * 7/1996 Chen D21/697

1 Claim, 12 Drawing Sheets



US D569,926 S

Page 2

U.S. PATENT DOCUMENTS

D406,288 S *	3/1999	Chen	D21/663	6,905,445 B1 *	6/2005	Lin	482/57
D422,654 S	4/2000	Chen			D512,754 S	12/2005	Nagano		
6,102,834 A	8/2000	Chen			6,981,933 B2	1/2006	Scafidel		
D438,919 S	3/2001	Shaw			D519,171 S	4/2006	Kuo		
D444,515 S	7/2001	Moran et al.			D526,031 S *	8/2006	Corbalis et al.	D21/663
D459,776 S *	7/2002	Lee	D21/697	D534,226 S	12/2006	Corbalis et al.		
D460,794 S *	7/2002	Baker	D21/667	2004/0082445 A1	4/2004	Zabel		
D484,561 S	12/2003	Singleton			2005/0187075 A1	8/2005	Bellamy		
6,730,004 B2	5/2004	Selsam			2005/0187079 A1	8/2005	Diakonov et al.		
D506,792 S	6/2005	Nagano							

* cited by examiner

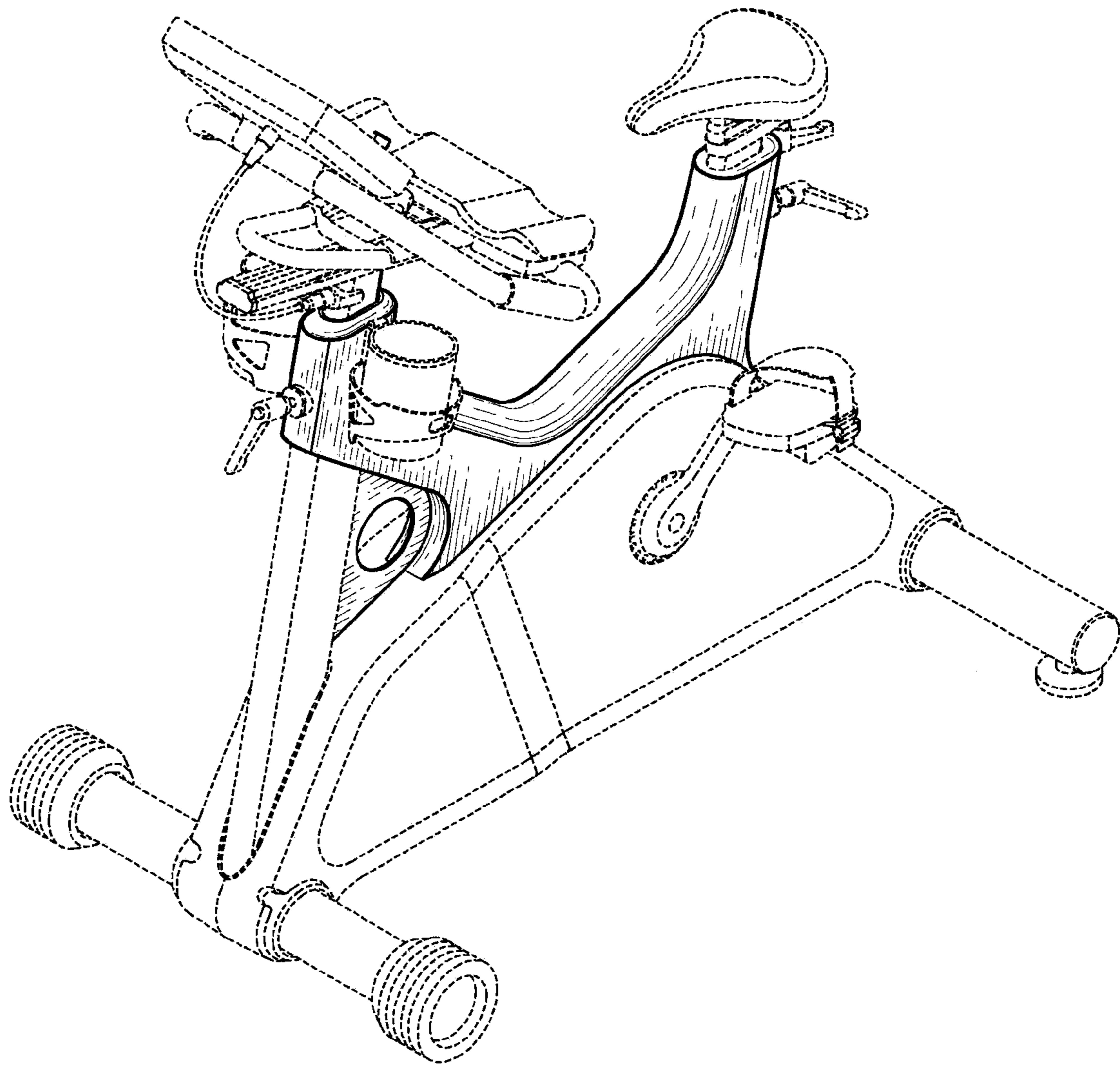


Fig. 1

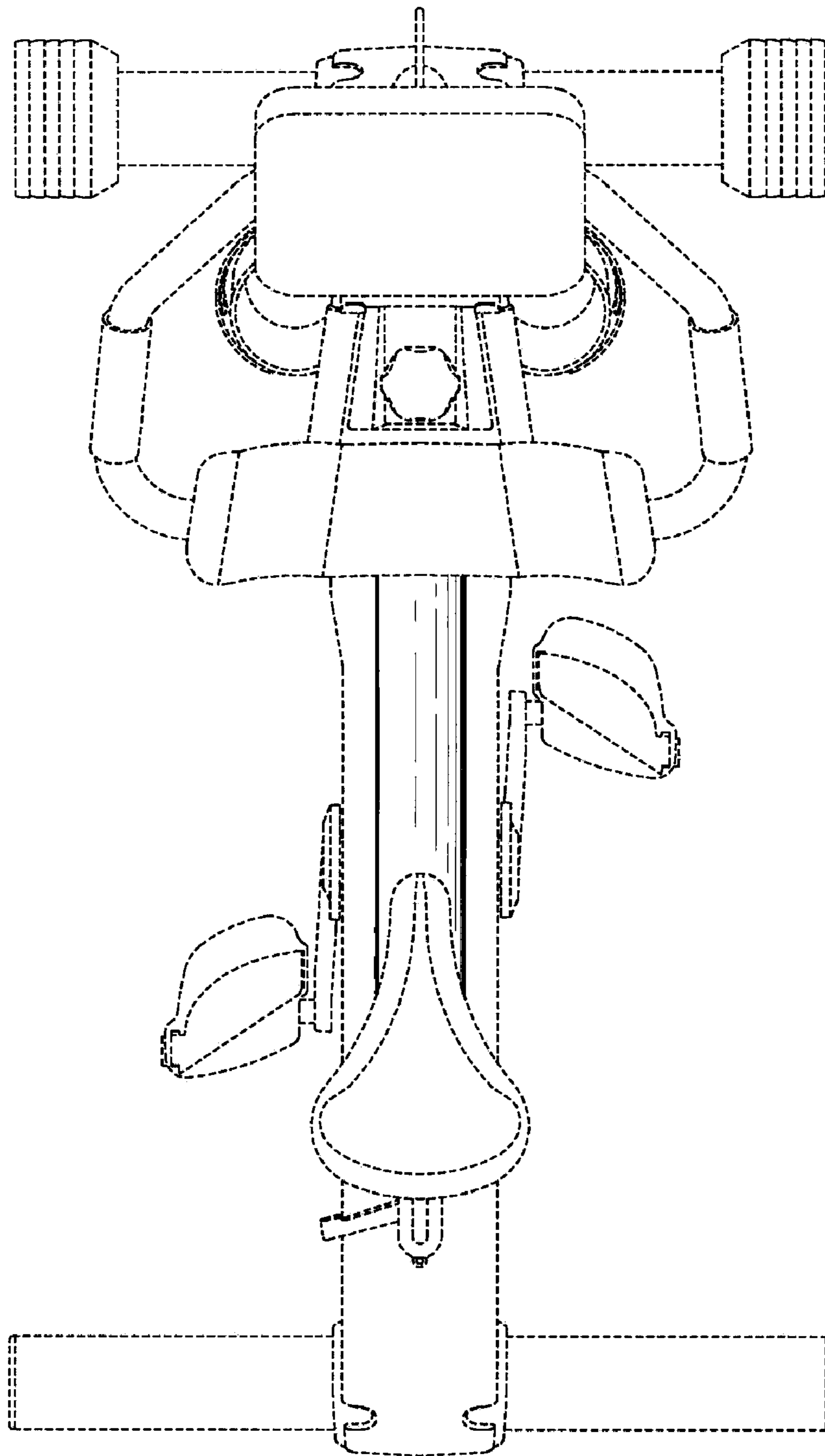


Fig. 2

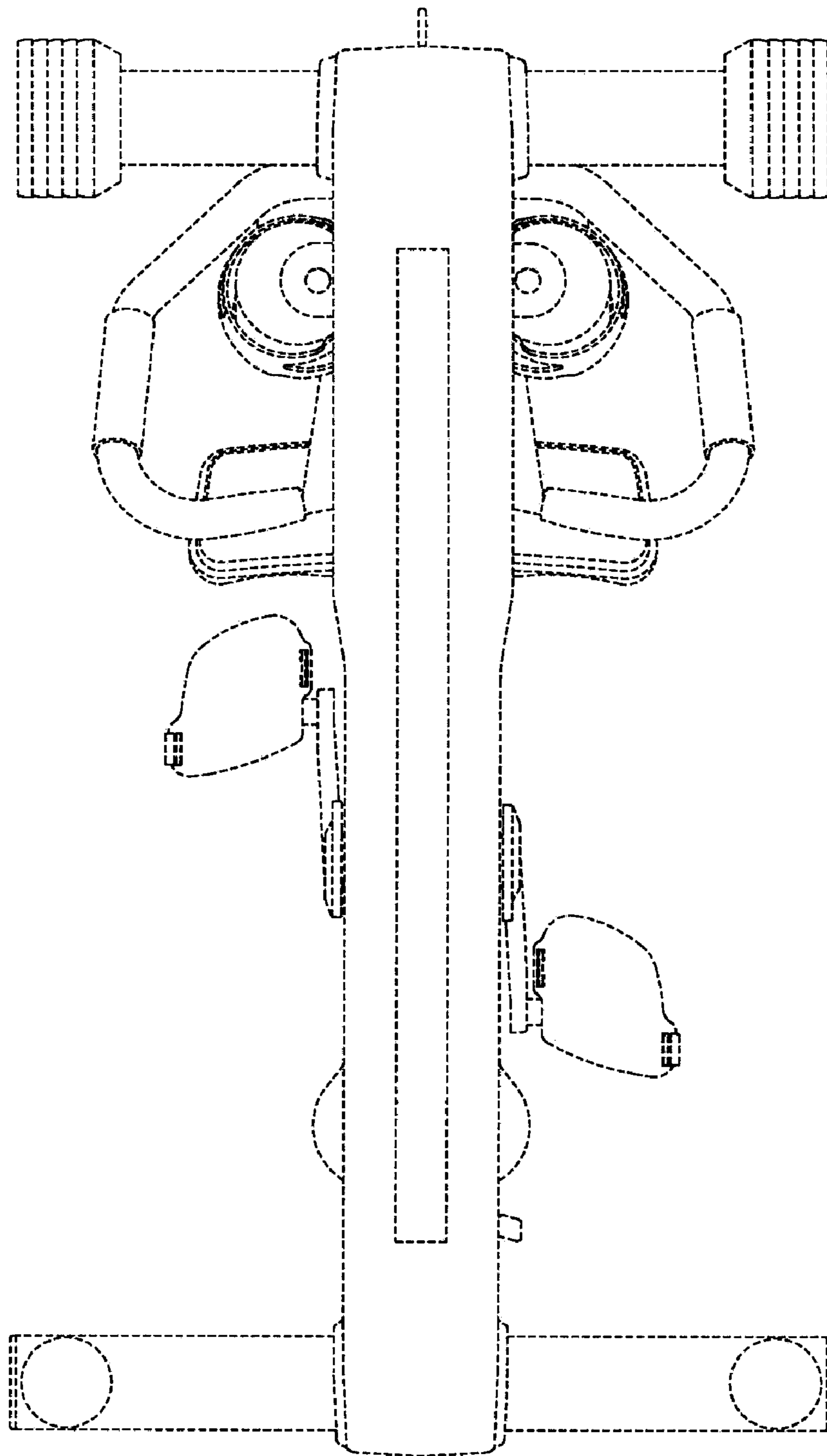


Fig. 3

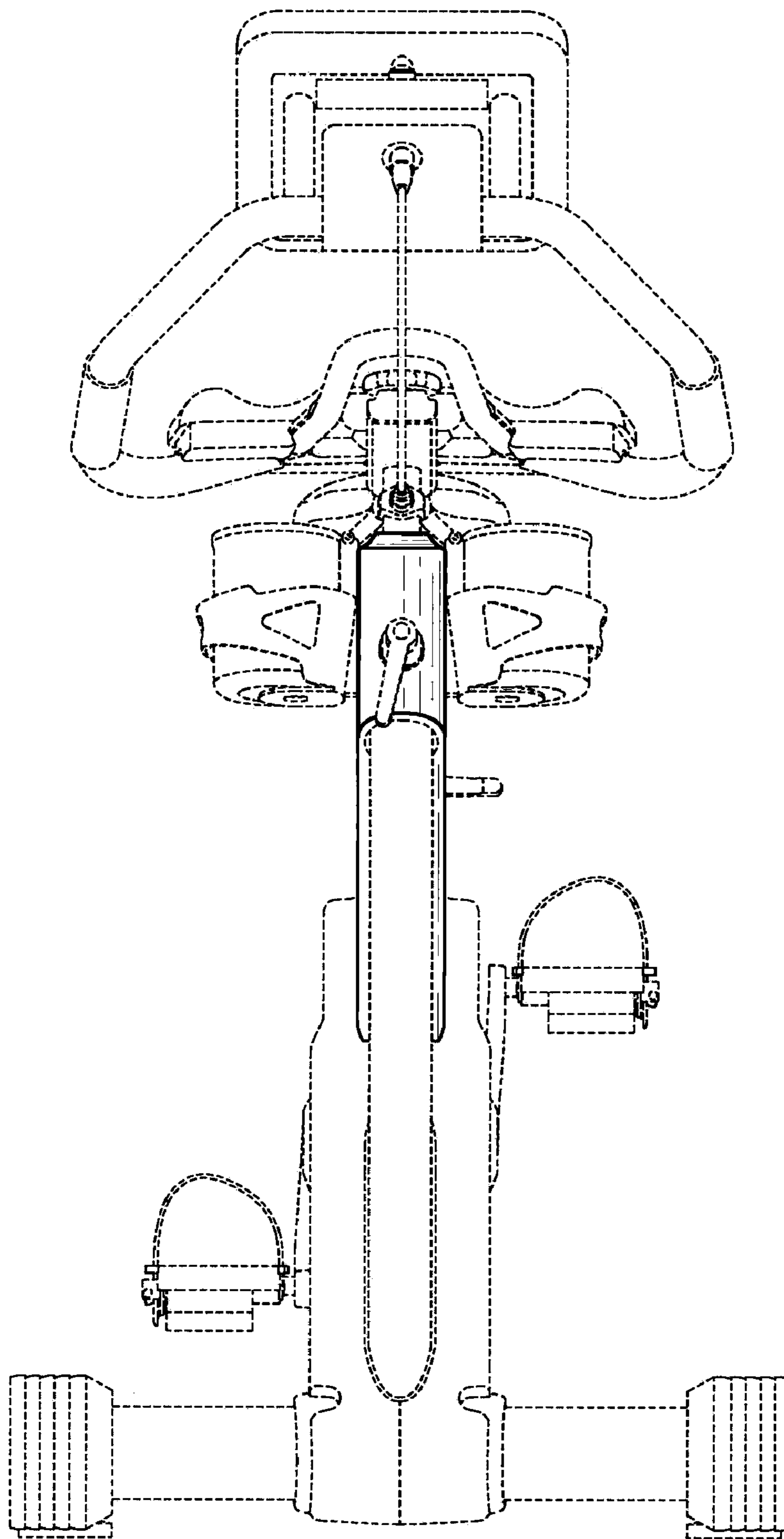


Fig. 4

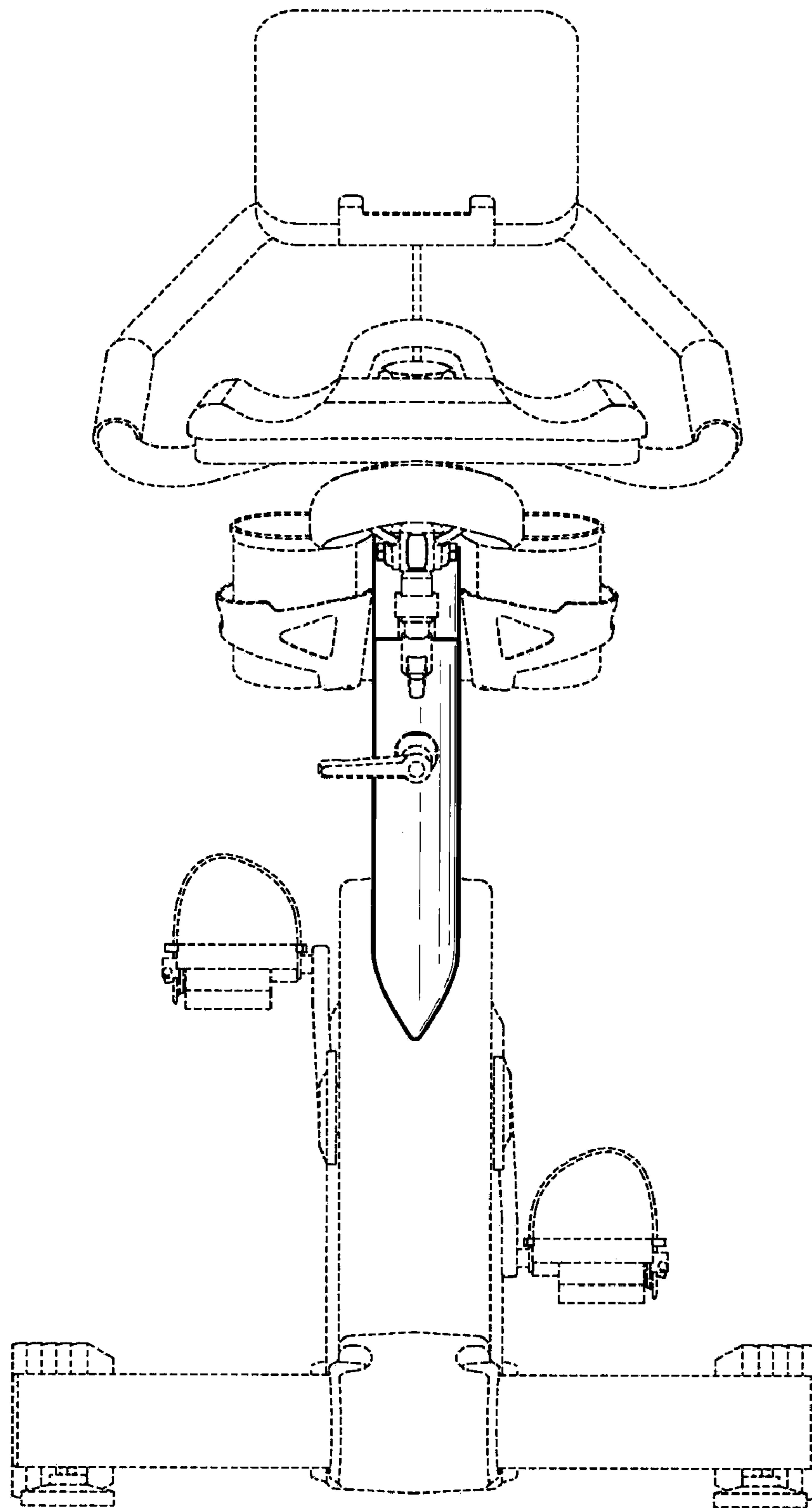


Fig. 5

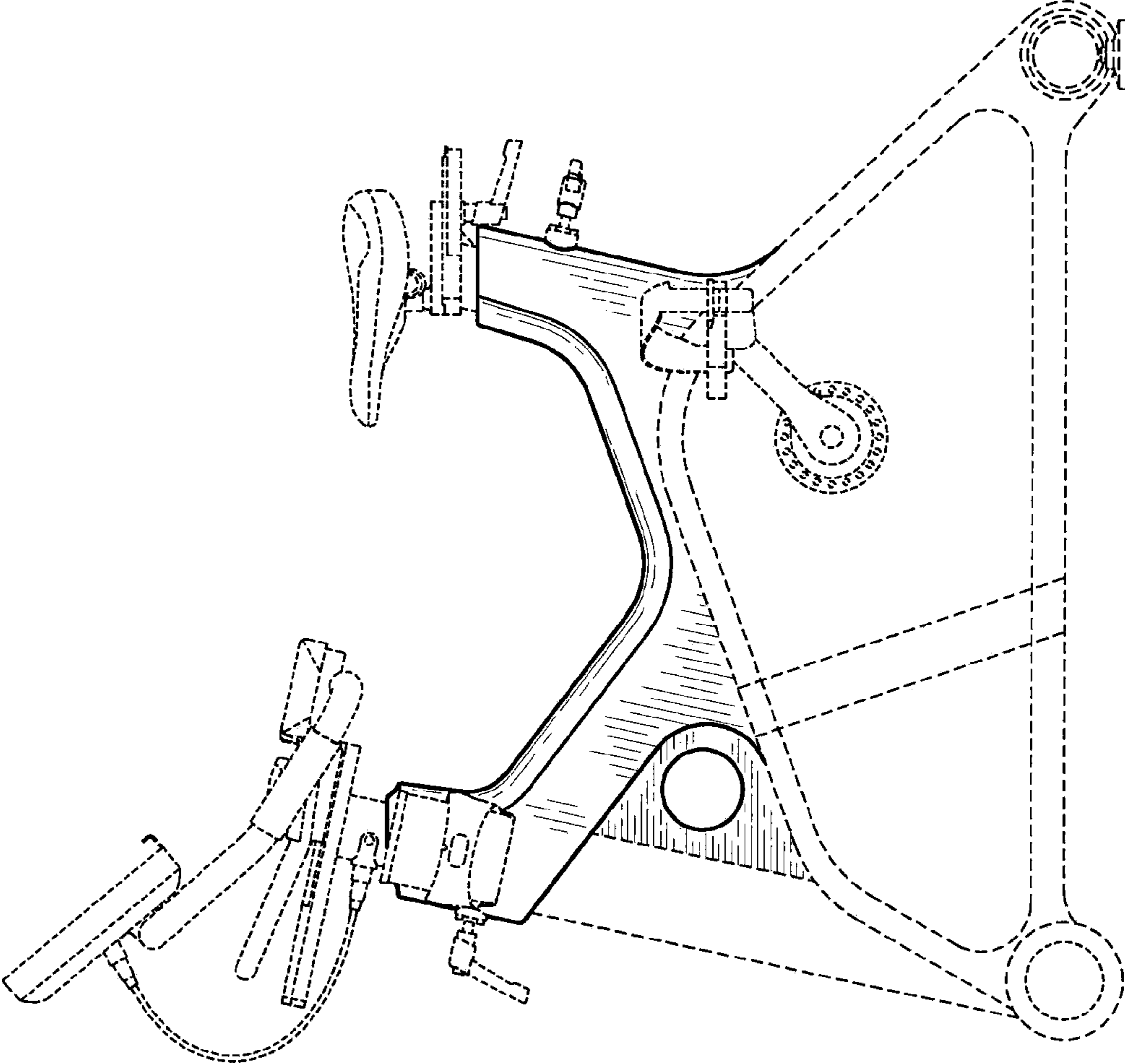


Fig. 6

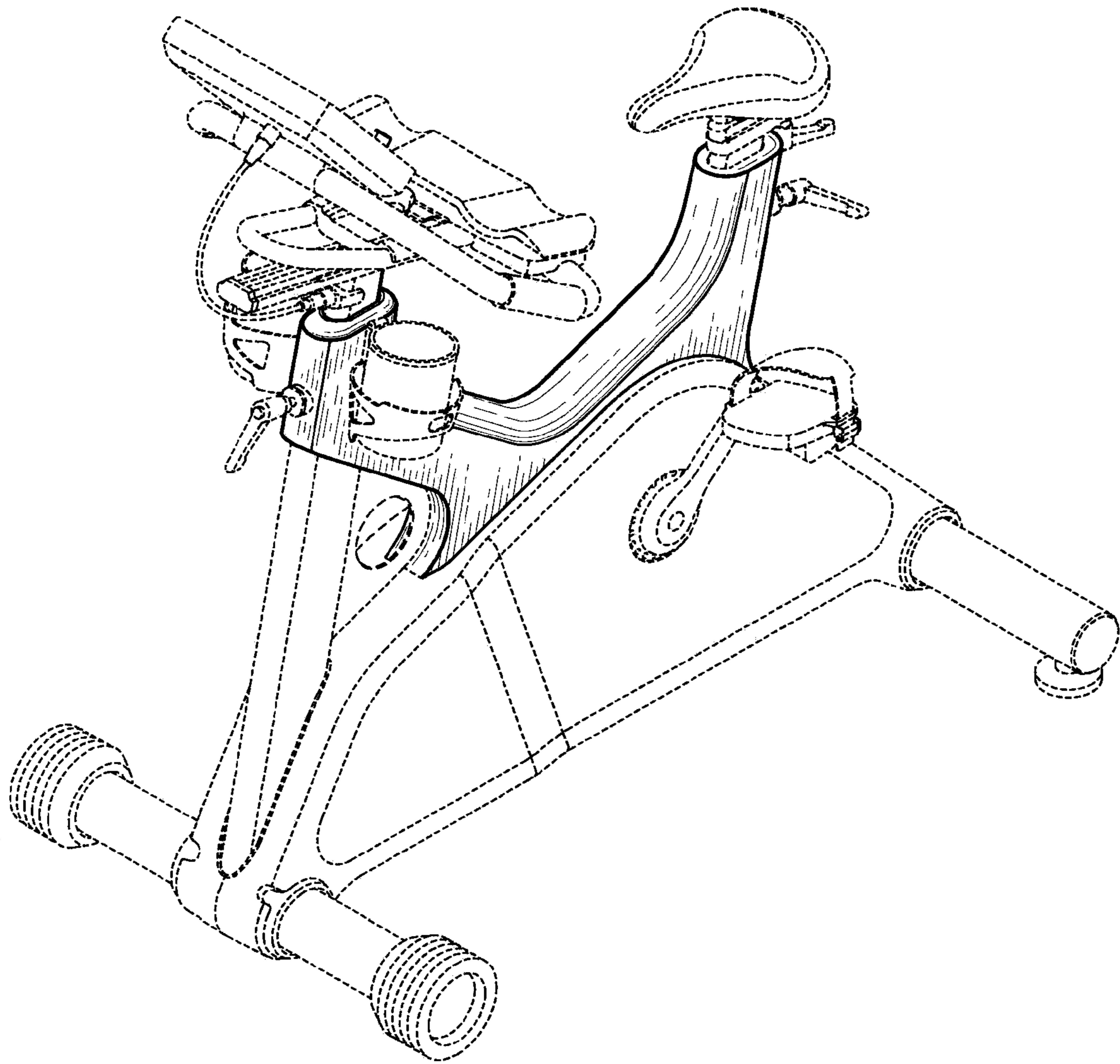


Fig. 7

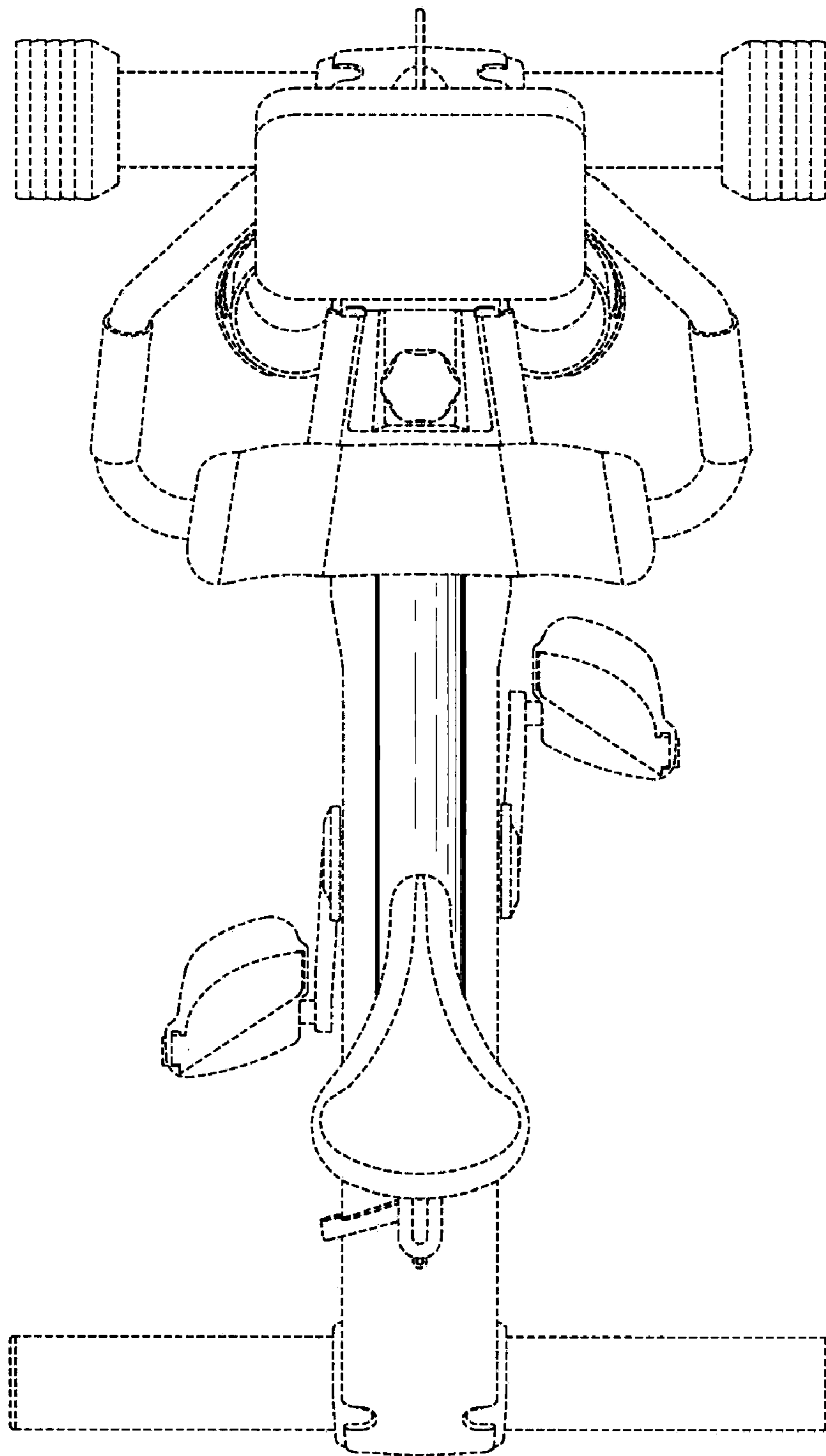


Fig. 8

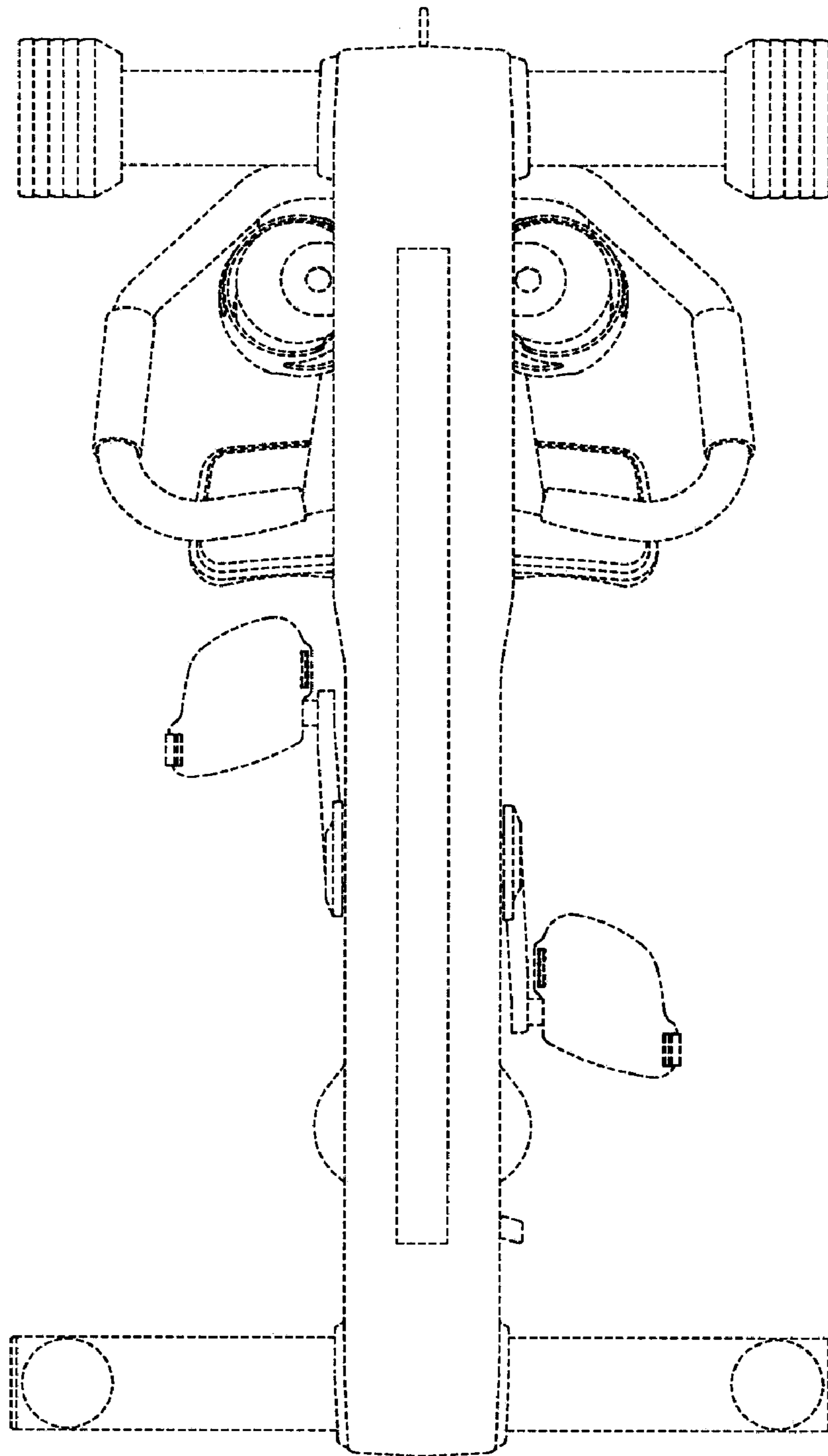


Fig. 9

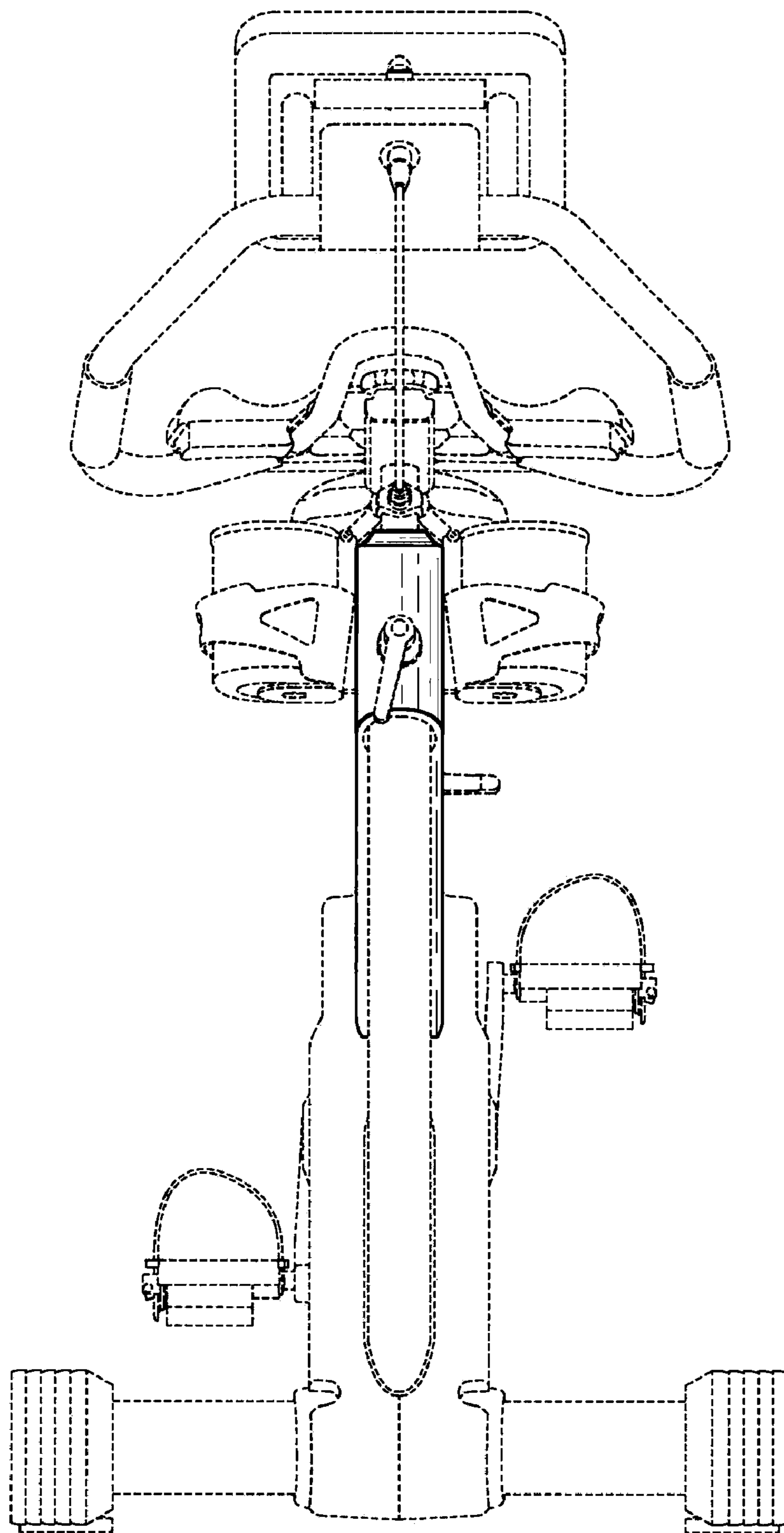


Fig. 10

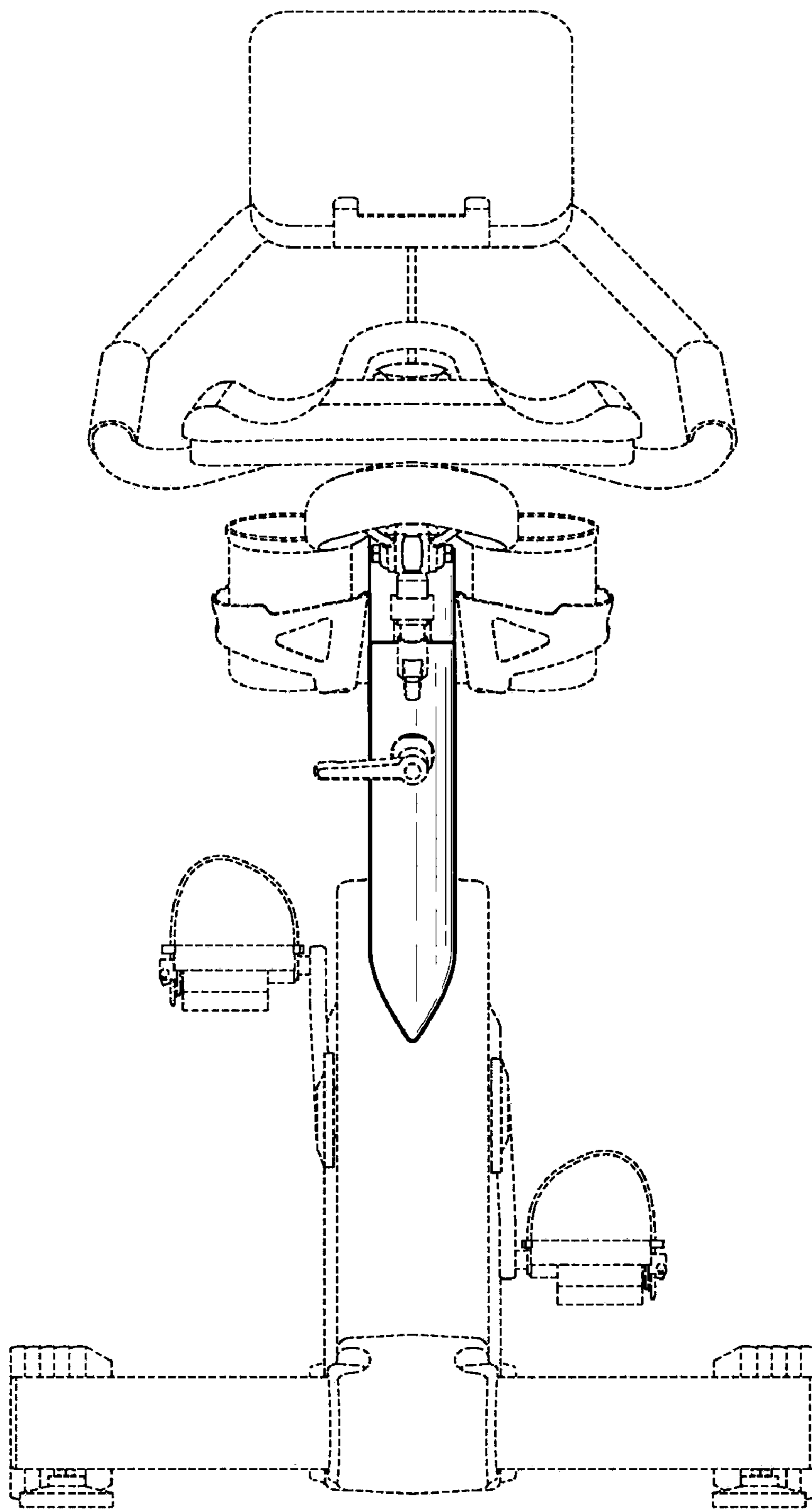


Fig. 11

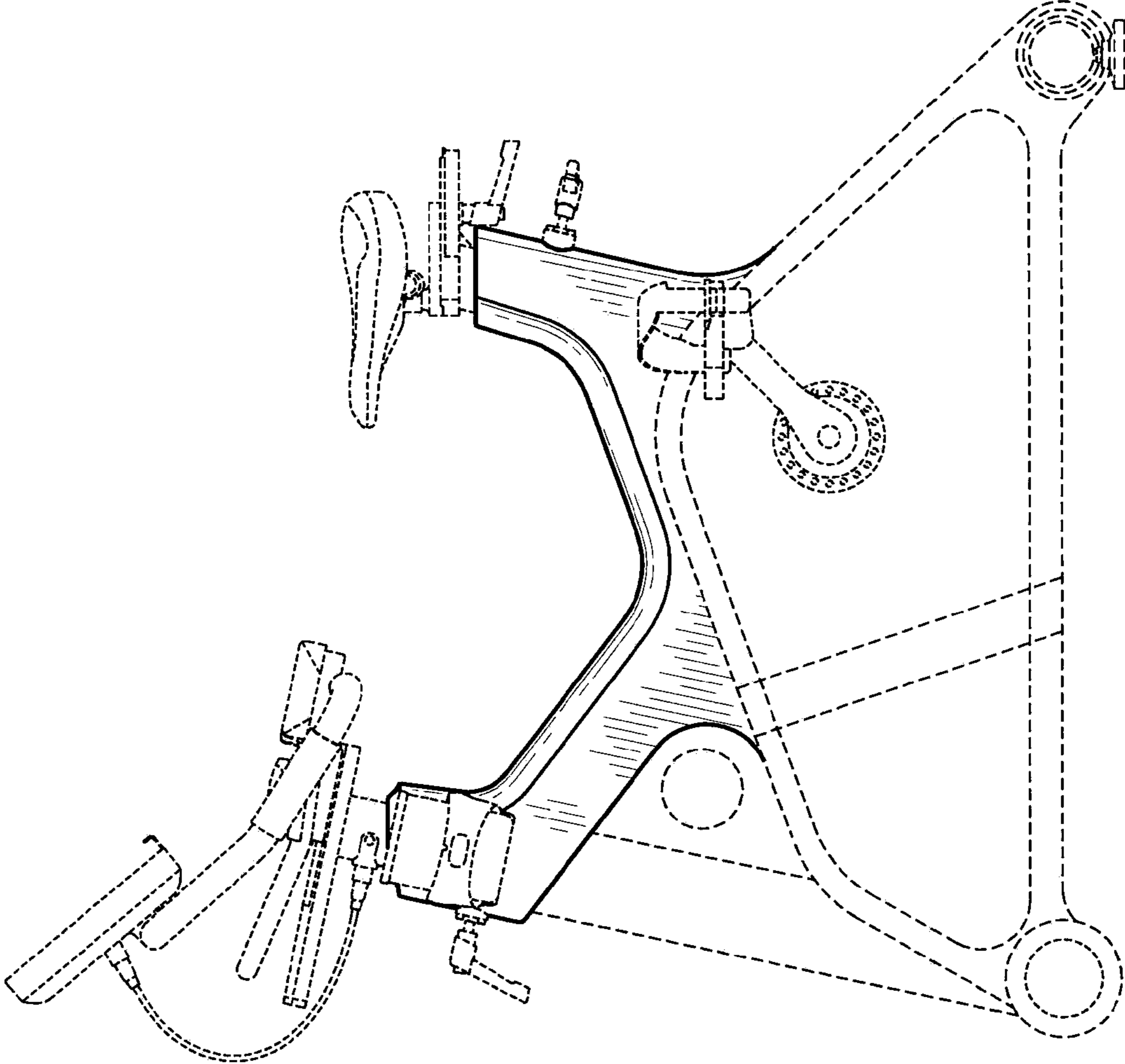


Fig. 12