



US00D569925S

(12) **United States Design Patent**  
**Hanoun**

(10) **Patent No.:** **US D569,925 S**

(45) **Date of Patent:** **\*\* May 27, 2008**

(54) **DISPLAY UNIT AND SUPPORT FOR EXERCISE MACHINE**

(75) Inventor: **Reed I. Hanoun**, Mississauga (CA)

(73) Assignee: **Mytrak Health Systems Inc.**,  
Mississauga, Ontario (CA)

(\*\*) Term: **14 Years**

(21) Appl. No.: **29/247,319**

(22) Filed: **Jun. 9, 2006**

(51) **LOC (8) Cl.** ..... **21-02**

(52) **U.S. Cl.** ..... **D21/696**

(58) **Field of Classification Search** ..... D21/662,  
D21/663, 668, 669, 670, 673, 694, 696; D3/321;  
D9/424; D10/24, 104; D13/110; D14/217,  
D14/125; D28/83; 482/1, 9, 5, 6  
See application file for complete search history.

(56) **References Cited**

U.S. PATENT DOCUMENTS

D42,949 S *	8/1912	Perkins	.....	D9/423
D278,207 S *	4/1985	McLaughlin	.....	D3/203.2
D321,415 S *	11/1991	Chen	.....	D28/80
D326,226 S *	5/1992	Gerhart	.....	D9/423
D427,156 S *	6/2000	Arnold et al.	.....	D13/162
D438,579 S *	3/2001	Arnold et al.	.....	D21/696
6,261,205 B1 *	7/2001	Elefson	.....	482/6
D448,353 S *	9/2001	Chang	.....	D14/125
D454,931 S *	3/2002	Fon	.....	D21/696

D479,823 S *	9/2003	Andre et al.	.....	D13/110
D494,823 S *	8/2004	Overthun et al.	.....	D8/20
D536,046 S *	1/2007	Bingham, Jr. et al.	.....	D21/696
7,163,488 B2 *	1/2007	Anders et al.	.....	482/4

\* cited by examiner

*Primary Examiner*—Philip Hyder

(74) *Attorney, Agent, or Firm*—Integral Intellectual Property Inc.; Miriam Paton

(57) **CLAIM**

We claim the ornamental design for a display unit and support for exercise machine, as shown and described.

**DESCRIPTION**

FIG. 1 is a perspective view of a display unit and support for an exercise machine.

FIG. 2 is a bottom view thereof.

FIG. 3 is a front view thereof.

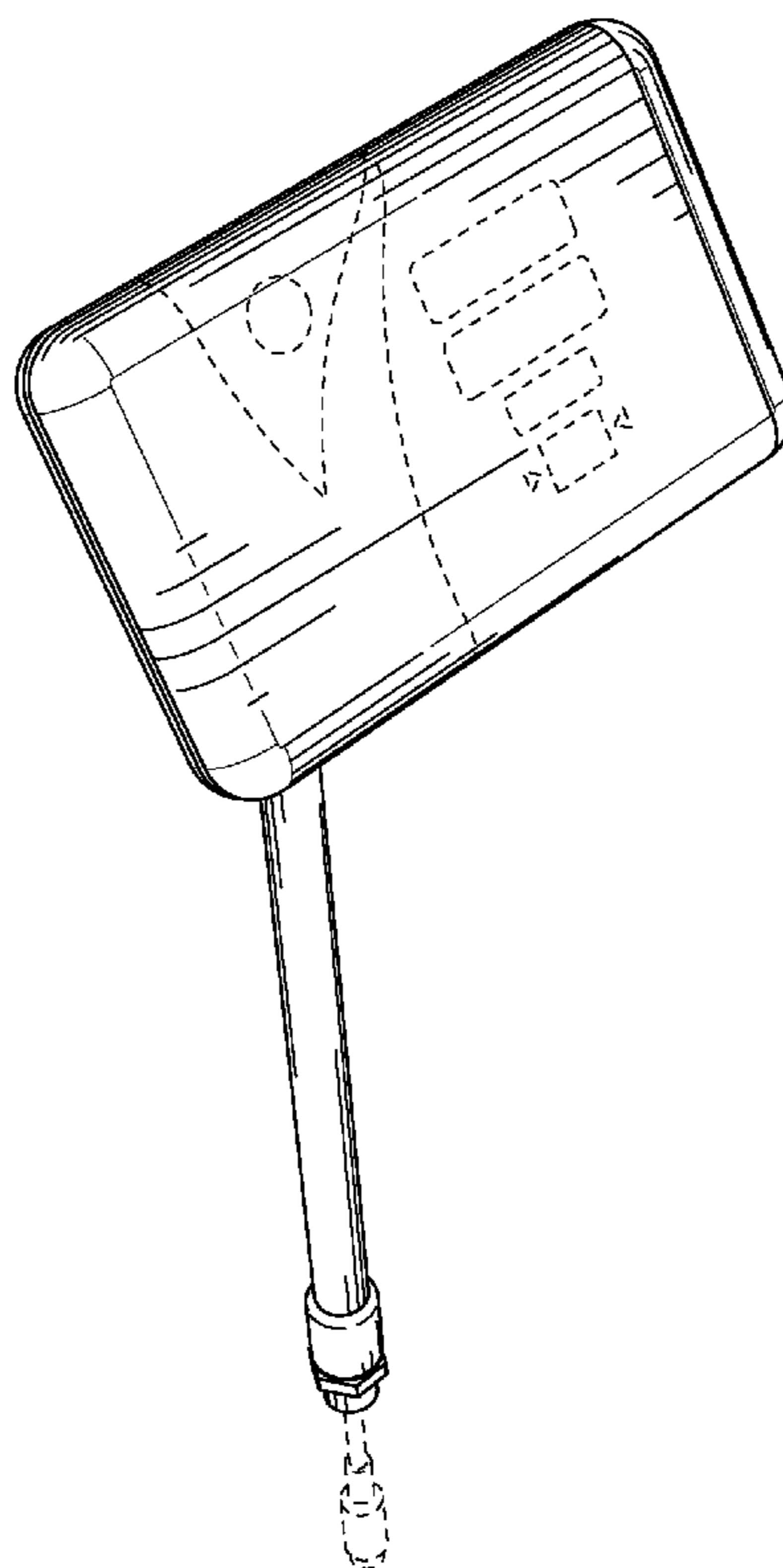
FIG. 4 is a rear view thereof.

FIG. 5 is a first side view thereof with a second side view being the same; and,

FIG. 6 is a perspective view thereof showing the environment.

Broken lines in FIGS. 1–5 are for illustrative purposes only and do not form part of the claimed design. Additional broken lines in FIG. 6 show an environmental structure that does not form part of the design.

**1 Claim, 3 Drawing Sheets**



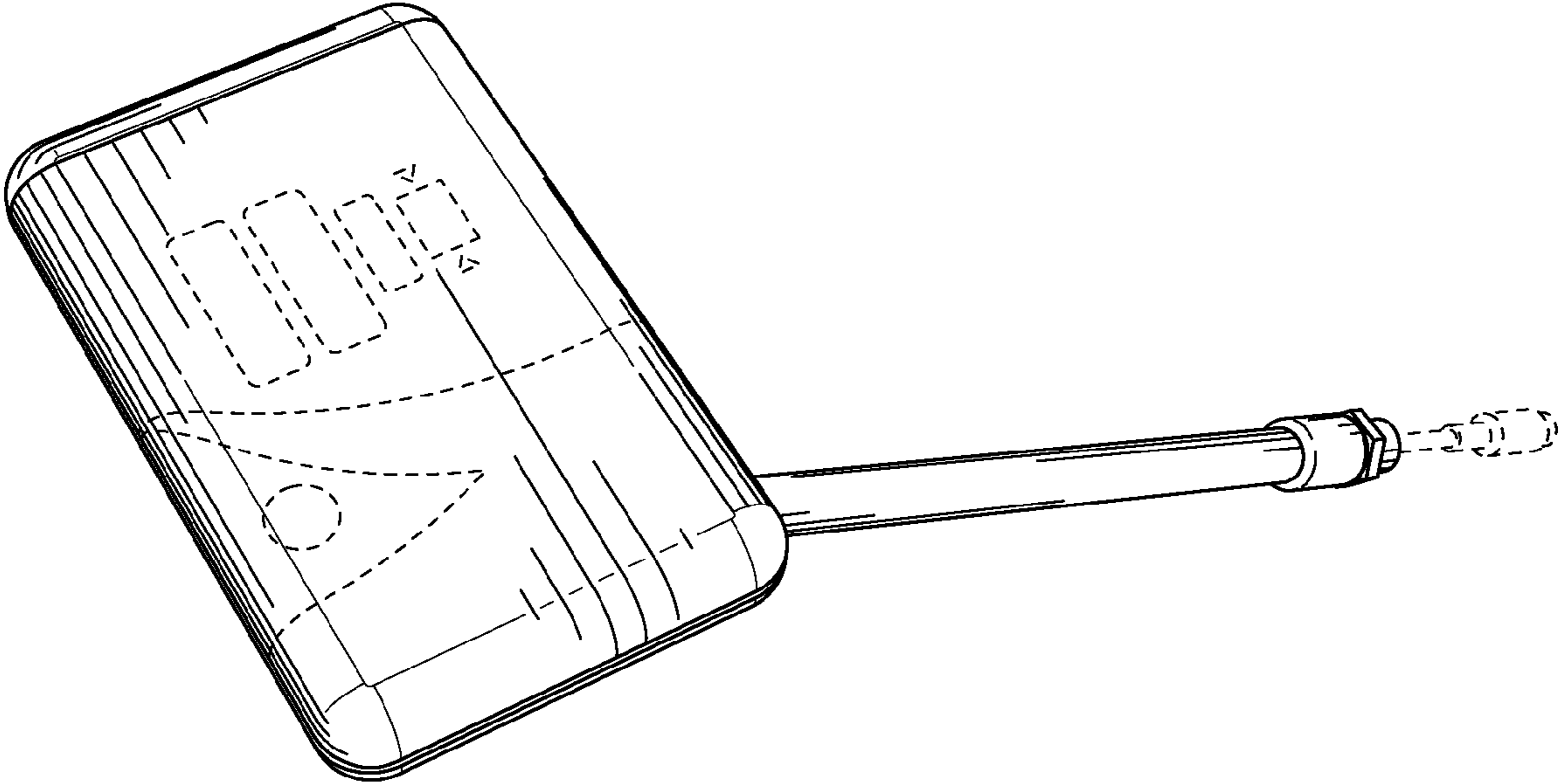


FIG. 1

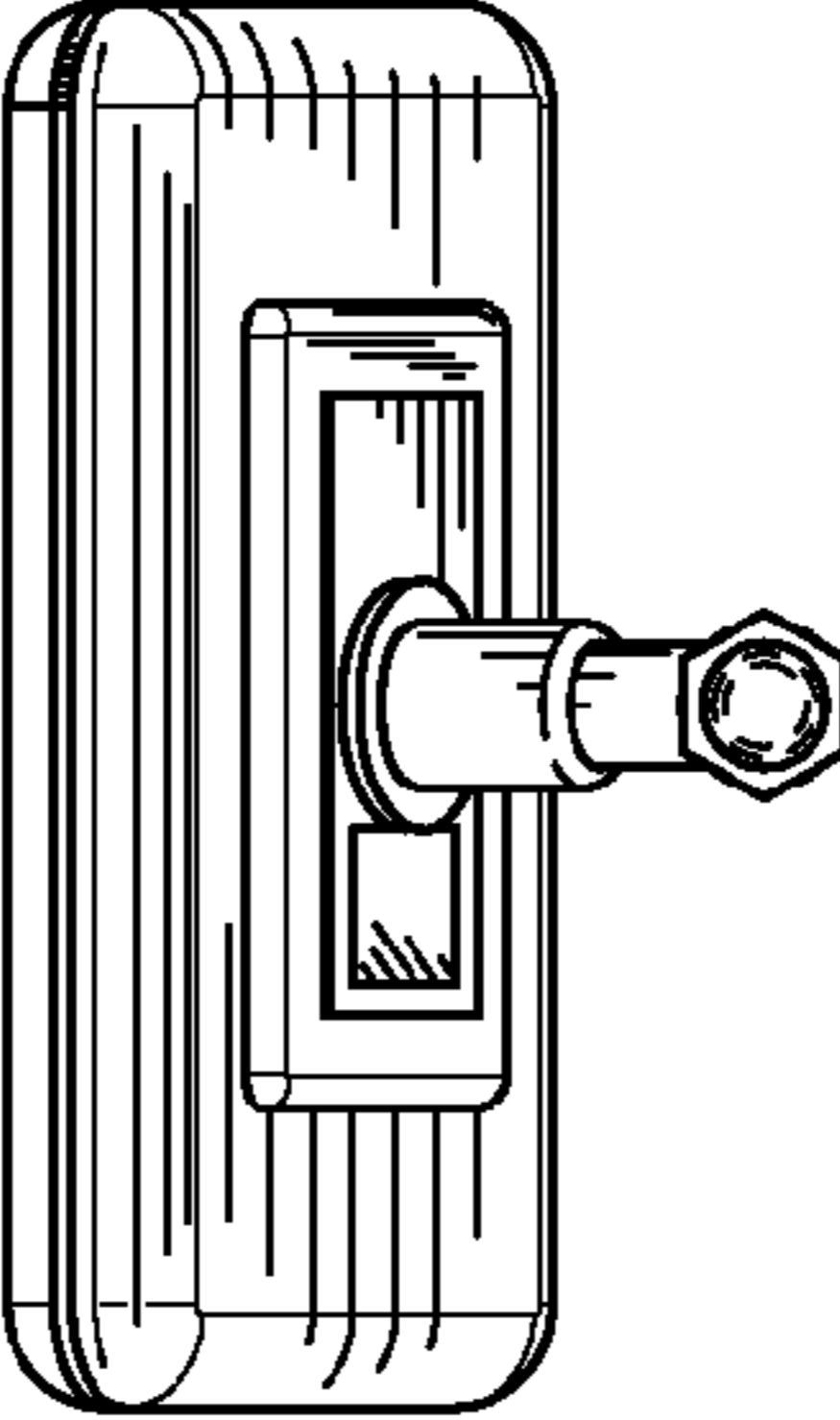


FIG. 2

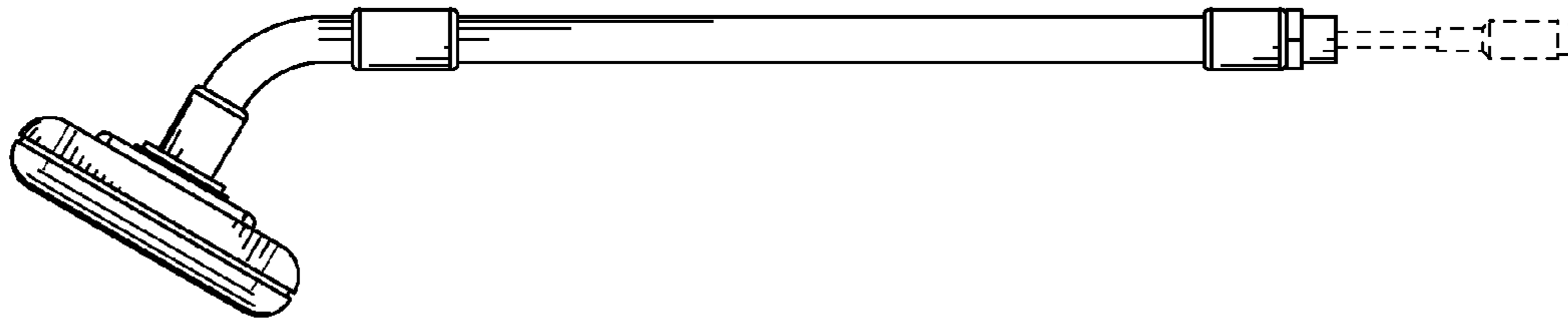


FIG. 5

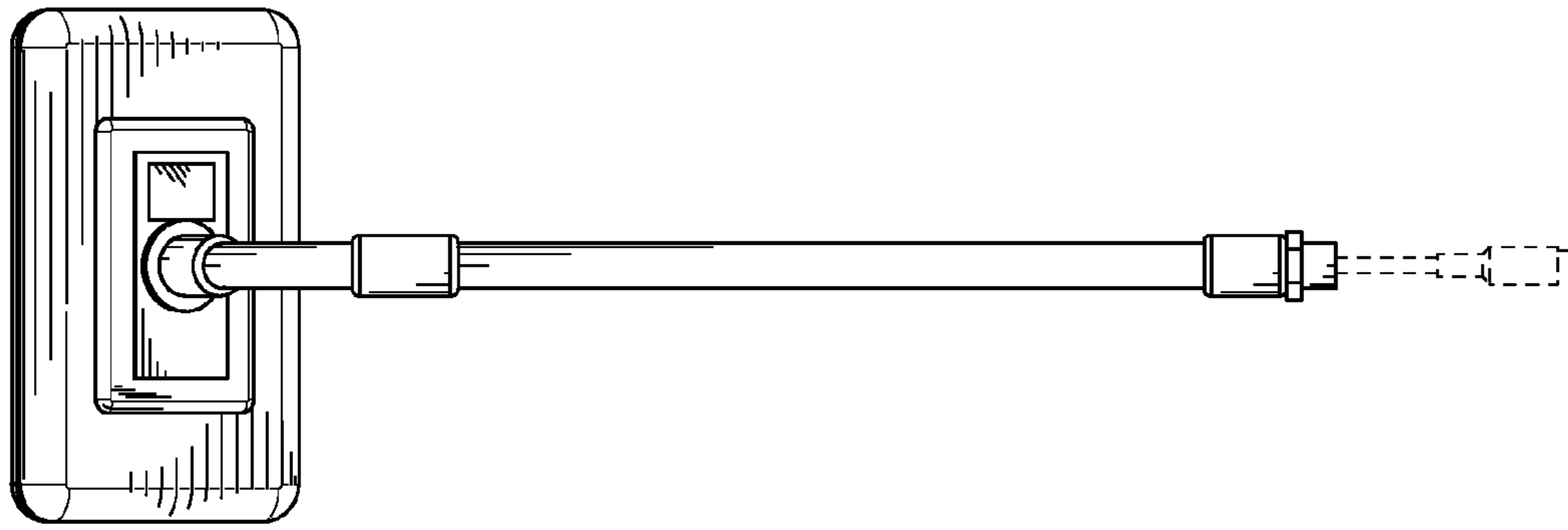


FIG. 4

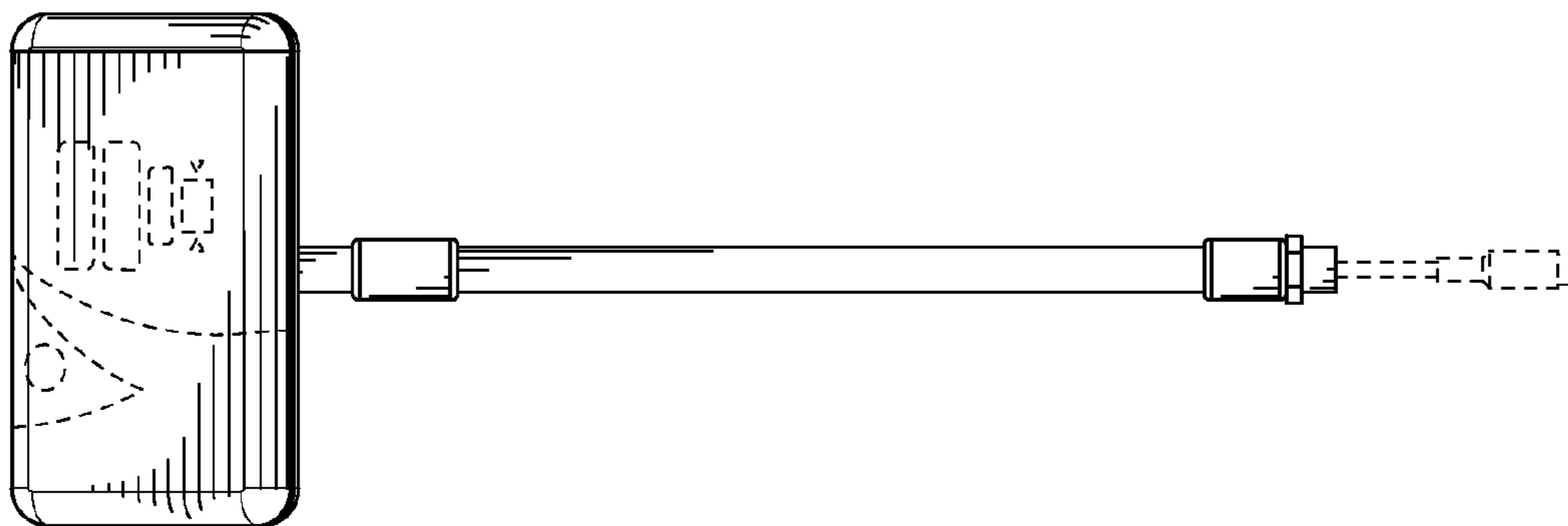


FIG. 3

FIG. 6

