



US00D569919S

(12) **United States Design Patent**
Zielinski

(10) **Patent No.:** **US D569,919 S**
(45) **Date of Patent:** **** May 27, 2008**

(54) **GAMING SYSTEM SYMBOL DISPLAY**

(75) Inventor: **John H. Zielinski**, Reno, NV (US)

(73) Assignee: **IGT**, Reno, NV (US)

(**) Term: **14 Years**

(21) Appl. No.: **29/296,885**

(22) Filed: **Oct. 30, 2007**

Related U.S. Application Data

(62) Division of application No. 29/248,895, filed on Sep. 8, 2006, now Pat. No. Des. 558,835.

(51) **LOC (8) Cl.** **21-03**

(52) **U.S. Cl.** **D21/370; D21/385**

(58) **Field of Classification Search** D21/325,
D21/329, 369-371, 374, 385; 463/16-17,
463/20, 25, 42, 46-47

See application file for complete search history.

(56) **References Cited**

U.S. PATENT DOCUMENTS

1,978,395 A 10/1934 Groetchen

(Continued)

FOREIGN PATENT DOCUMENTS

DE 19873709026 9/1988

(Continued)

OTHER PUBLICATIONS

Austin Powers in Goldmember™ Advertisement written by IGT, published in 2003.

(Continued)

Primary Examiner—Sandra L. Morris

(74) *Attorney, Agent, or Firm*—Bell, Boyd & Lloyd LLP

(57) **CLAIM**

The ornamental design for a gaming system symbol display, as shown and described.

DESCRIPTION

FIG. 1 is a front perspective view of a gaming system symbol display of my new design, that portion shown in

phantom is not part of the design sought to be patented and is provided for environmental purposes only.

FIG. 2 is a left side view of the gaming system symbol display of my new design of FIG. 1, the right side being a mirror image thereof, that portion shown in phantom is not part of the design sought to be patented and is provided for environmental purposes only.

FIG. 3 is an front view of the gaming system symbol display of my new design of FIG. 1, that portion shown in phantom is not part of the design sought to be patented and is provided for environmental purposes only.

FIG. 4 is a back view of the gaming system symbol display of my new design of FIG. 1, that portion shown in phantom is not part of the design sought to be patented and is provided for environmental purposes only.

FIG. 5 is a top plan view of the gaming system symbol display of my new design of FIG. 1, that portion shown in phantom is not part of the design sought to be patented and is provided for environmental purposes only.

FIG. 6 is a front perspective view of an alternative embodiment of the gaming system symbol display of my new design, that portion shown in phantom is not part of the design sought to be patented and is provided for environmental purposes only.

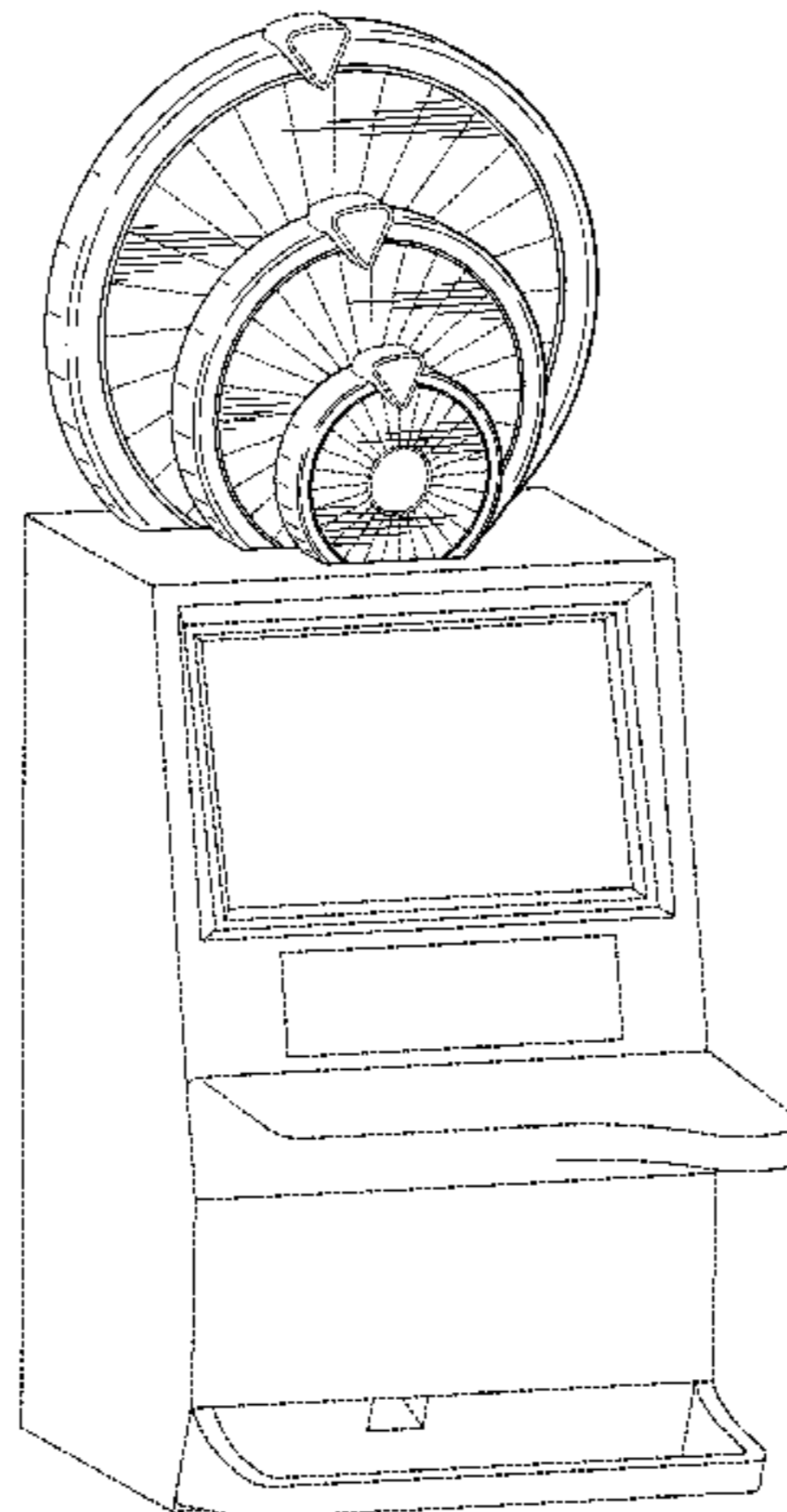
FIG. 7 is a left side view of the alternative gaming system symbol display of my new design of FIG. 6, the right side being a mirror image thereof, that portion shown in phantom is not part of the design sought to be patented and is provided for environmental purposes only.

FIG. 8 is an front view of the gaming system symbol display of my new design of FIG. 6, that portion shown in phantom is not part of the design sought to be patented and is provided for environmental purposes only.

FIG. 9 is a back view of the gaming system symbol display of my new design of FIG. 6, that portion shown in phantom is not part of the design sought to be patented and is provided for environmental purposes only; and,

FIG. 10 is a top plan view of the gaming system symbol display of my new design of FIG. 6, that portion shown in phantom is not part of the design sought to be patented and is provided for environmental purposes only.

1 Claim, 10 Drawing Sheets



US D569,919 S

Page 2

U.S. PATENT DOCUMENTS						
			6,322,309	B1	11/2001	Thomas et al.
			6,334,814	B1	1/2002	Adams
2,077,124	A	4/1937	Miller et al.			
3,420,525	A	1/1969	Waders			
3,642,287	A	2/1972	Lally et al.			
3,645,531	A	2/1972	Wright			
3,735,987	A	5/1973	Ohki			
4,198,052	A	4/1980	Gauselmann			
4,326,351	A	4/1982	Heywood et al.			
4,346,900	A	8/1982	Lamlee			
4,448,419	A	5/1984	Telnaes			
4,492,378	A	1/1985	Williams			
4,695,053	A	9/1987	Vazquez, Jr. et al.			
4,826,169	A	5/1989	Bessho et al.			
5,152,529	A	10/1992	Okada			
5,184,821	A	2/1993	Korenek			
5,188,363	A	2/1993	Marnell, II et al.			
5,259,616	A	11/1993	Bergmann			
5,292,127	A	3/1994	Kelly et al.			
5,364,100	A	11/1994	Ludlow et al.			
5,395,111	A	3/1995	Inoue			
5,536,016	A	7/1996	Thompson			
5,553,851	A	9/1996	Malavazos et al.			
5,580,309	A	12/1996	Piechowiak et al.			
5,584,763	A	12/1996	Kelly et al.			
5,584,764	A	12/1996	Inoue			
5,639,089	A	6/1997	Matsumoto et al.			
5,647,798	A	7/1997	Falciglia			
D392,340	S	3/1998	DeSimone			
5,752,881	A	5/1998	Inoue			
5,755,619	A	5/1998	Matsumoto et al.			
5,775,692	A	7/1998	Watts et al.			
5,788,573	A	8/1998	Baerlocher et al.			
5,848,932	A	12/1998	Adams			
5,879,235	A	3/1999	Kaneko et al.			
5,882,261	A	3/1999	Adams			
5,911,418	A	6/1999	Adams			
D412,347	S	7/1999	DeSimone et al.			
5,947,820	A	9/1999	Morro et al.			
5,951,397	A	9/1999	Dickinson			
5,980,384	A	11/1999	Barrie			
5,984,782	A	11/1999	Inoue			
6,004,207	A	12/1999	Wilson, Jr. et al.			
6,015,346	A	1/2000	Bennett			
6,027,115	A	2/2000	Griswold et al.			
6,033,307	A	3/2000	Vancura			
6,039,649	A	3/2000	Schulze			
6,039,976	A	3/2000	Mehra et al.			
6,059,289	A	5/2000	Vancura			
6,059,658	A	5/2000	Mangano et al.			
6,082,734	A	7/2000	Uehara et al.			
6,086,066	A	7/2000	Takeuchi et al.			
6,089,978	A	7/2000	Adams			
6,095,921	A	8/2000	Walker et al.			
6,102,798	A	8/2000	Bennett			
6,105,962	A	8/2000	Malavazos et al.			
6,117,009	A	9/2000	Yoseloff			
6,142,873	A	11/2000	Weiss et al.			
6,149,156	A	11/2000	Feola			
6,159,098	A	12/2000	Slomiany et al.			
6,162,121	A	12/2000	Morro et al.			
6,168,520	B1	1/2001	Baerlocher et al.			
6,190,255	B1	2/2001	Thomas et al.			
6,217,022	B1	4/2001	Astaneha			
D442,641	S	5/2001	Seelig et al.			
6,224,483	B1	5/2001	Mayeroff			
6,231,442	B1	5/2001	Mayeroff			
6,302,790	B1	10/2001	Brossard			
6,309,299	B1	10/2001	Weiss			
6,309,300	B1	10/2001	Glavich			
6,315,663	B1	11/2001	Sakamoto			
6,315,664	B1	11/2001	Baerlocher			
6,319,124	B1	11/2001	Baerlocher et al.			
			6,336,863	B1	1/2002	Baerlocher et al.
			6,343,988	B1	2/2002	Walker et al.
			6,364,767	B1	4/2002	Brossard et al.
			6,375,187	B1	4/2002	Baerlocher
			6,386,974	B1	5/2002	Adams
			6,398,220	B1	6/2002	Inoue
			6,439,995	B1	8/2002	Hughs-Baird
			D462,397	S	9/2002	Baker et al.
			6,464,582	B1	10/2002	Baerlocher et al.
			6,506,117	B2	1/2003	DeMar et al.
			6,506,118	B1	1/2003	Baerlocher et al.
			D473,270	S	4/2003	Seelig et al.
			6,572,473	B1	6/2003	Baerlocher
			6,589,114	B2	7/2003	Rose
			6,659,864	B2	12/2003	McGahn et al.
			6,663,488	B1	12/2003	Adams
			6,676,512	B2	1/2004	Fong et al.
			D486,869	S	2/2004	Webb et al.
			D487,582	S	3/2004	McGahn et al.
			6,705,944	B2	3/2004	Luciano
			6,715,756	B2	4/2004	Inoue
			6,726,204	B2	4/2004	Inoue
			6,726,563	B1	4/2004	Baerlocher et al.
			6,793,577	B1	9/2004	Wilkins et al.
			D496,968	S	10/2004	Baerlocher
			6,855,052	B2	2/2005	Weiss et al.
			D503,751	S	4/2005	Kaminkow et al.
			D503,951	S	4/2005	Karstens
			6,899,625	B2	5/2005	Luciano, Jr. et al.
			6,905,407	B2	6/2005	Nordman
			D510,752	S	10/2005	Baerlocher
			D511,549	S	11/2005	Kaminkow et al.
			D512,464	S	12/2005	Karstens
			D512,465	S	12/2005	Karstens
			6,988,731	B2	1/2006	Inoue
			7,021,624	B2	4/2006	Luciano et al.
			D524,380	S	7/2006	Seelig et al.
			2002/0072402	A1	6/2002	Baerlocher
			2002/0142822	A1	10/2002	Baerlocher et al.
			2002/0183109	A1	12/2002	McGahn et al.
			2003/0027623	A1	2/2003	Rose et al.
			2003/0040355	A1	2/2003	Baerlocher
			2003/0040360	A1	2/2003	Kaminkow
			2003/0060277	A1	3/2003	Webb et al.
			2003/0064796	A1	4/2003	Glavich et al.
			2003/0078093	A1	4/2003	Simms
			2003/0078096	A1	4/2003	Kaminkow
			2003/0119583	A1	6/2003	Kaminkow et al.
			2003/0162578	A1	8/2003	Baerlocher et al.
			2003/0162579	A1	8/2003	Gauselmann
			2003/0162584	A1	8/2003	Hugh-Baird
			2003/0190957	A1	10/2003	Tanskanen
			2003/0195027	A1	10/2003	Baerlocher
			2004/0000754	A1	1/2004	Inoue
			2004/0002372	A1	1/2004	Rodgers et al.
			2004/0009807	A1	1/2004	Miller et al.
			2004/0012145	A1	1/2004	Inoue
			2004/0014516	A1	1/2004	Inoue
			2004/0014517	A1	1/2004	Inoue
			2004/0017041	A1	1/2004	Inoue
			2004/0018866	A1	1/2004	Inoue
			2004/0026854	A1	2/2004	Inoue
			2004/0036218	A1	2/2004	Inoue
			2004/0038726	A1	2/2004	Inoue
			2004/0048645	A1	3/2004	Webb et al.
			2004/0053660	A1	3/2004	Webb et al.
			2004/0053665	A1	3/2004	Baerlocher
			2004/0082378	A1	4/2004	Peterson et al.
			2004/0102237	A1	5/2004	Baerlocher
			2004/0121838	A1	6/2004	Hughs-Baird et al.
			2004/0147306	A1	7/2004	Randall et al.

2004/0150161 A1 8/2004 Inoue
 2004/0155399 A1 8/2004 Inoue
 2004/0183251 A1 9/2004 Inoue

FOREIGN PATENT DOCUMENTS

EP	1 184 822	3/2002
EP	1 653 416	5/2006
GB	2 062 922 A	5/1981
GB	2 090 690	7/1982
GB	2 096 376	10/1982
GB	2 097 160	10/1982
GB	2 100 905	1/1983
GB	2 105 891	3/1983
GB	2 117 155	10/1983
GB	2 137 392	10/1984
GB	2 161 008	1/1986
GB	2 170 636	8/1986
GB	2 181 589	4/1987
GB	2 183 882	6/1987
GB	2 191 030	12/1987
GB	2 222 712	3/1990
GB	2 225 889	6/1990
GB	2 226 436	6/1990
GB	2 242 300	9/1991
GB	2 262 642	6/1993
GB	2 322 217	12/1997
GB	2 201 821	9/1998
WO	WO 00/12186	3/2000
WO	WO 00/32286	6/2000

OTHER PUBLICATIONS

Barn Yard Advertisement written by Aristocrat, available prior to Jun. 9, 2003.
 Barn Yard Article written by Strictly Slots, published in Mar. 2002.

Description of Let's Make a Deal Television Show written by letsmakeadeal.com (2 pages), printed on Mar. 16, 2001.
 Easy Street Advertisements and Articles written by Casino Data Systems, published in 2000.
 Gold Fever Advertisement written by Atronic Casino Technology, Ltd., published 1999.
 Gold Fever Atronic Web Page written by Atronic Casino Technology, Ltd., dated Mar. 2002.
 Jewel in the Crown Advertisement written by IGT, published in 1999.
 Jewel in the Crown Advertisement written by Barcrest Ltd., published 1999.
 Let's Make a Deal Game Advertisement written by Bally Gaming Systems, not dated.
 Let's Make a Deal geocities.com (2 pages), printed on Mar. 16, 2001.
 Let's Make a Deal written by fortunecity.com (4 pages), printed on Mar. 21, 2001.
 Let's Make a Deal written by geocities.com (10 pages), printed on Mar. 21, 2001.
 Let's Make a Deal written by Illinoislottery.com (1 page), printed on Mar. 21, 2001.
 Marshall Fey, Slot Machines a pictorial History of the First 100 Years, Fifth Edition.
 Take Your Pick Article and Brochure, written by Strictly Slots, IGT/Anchor Games, published in 1999.
 The Deals of Let's Make a Deal written by fortunecity.com (2 pages), printed on Jul. 20, 2004.
 The Official Let's Make a Deal Website written by Bally Gaming System Website, printed on Mar. 16, 2001.
 Top Dollar Brochure, written by IGT, published in 1998.
 Wheel of Fortune Brochure, written by IGT, published in 1998.
 Wheel of Fortune Brochure, written by IGT, published in 1999.

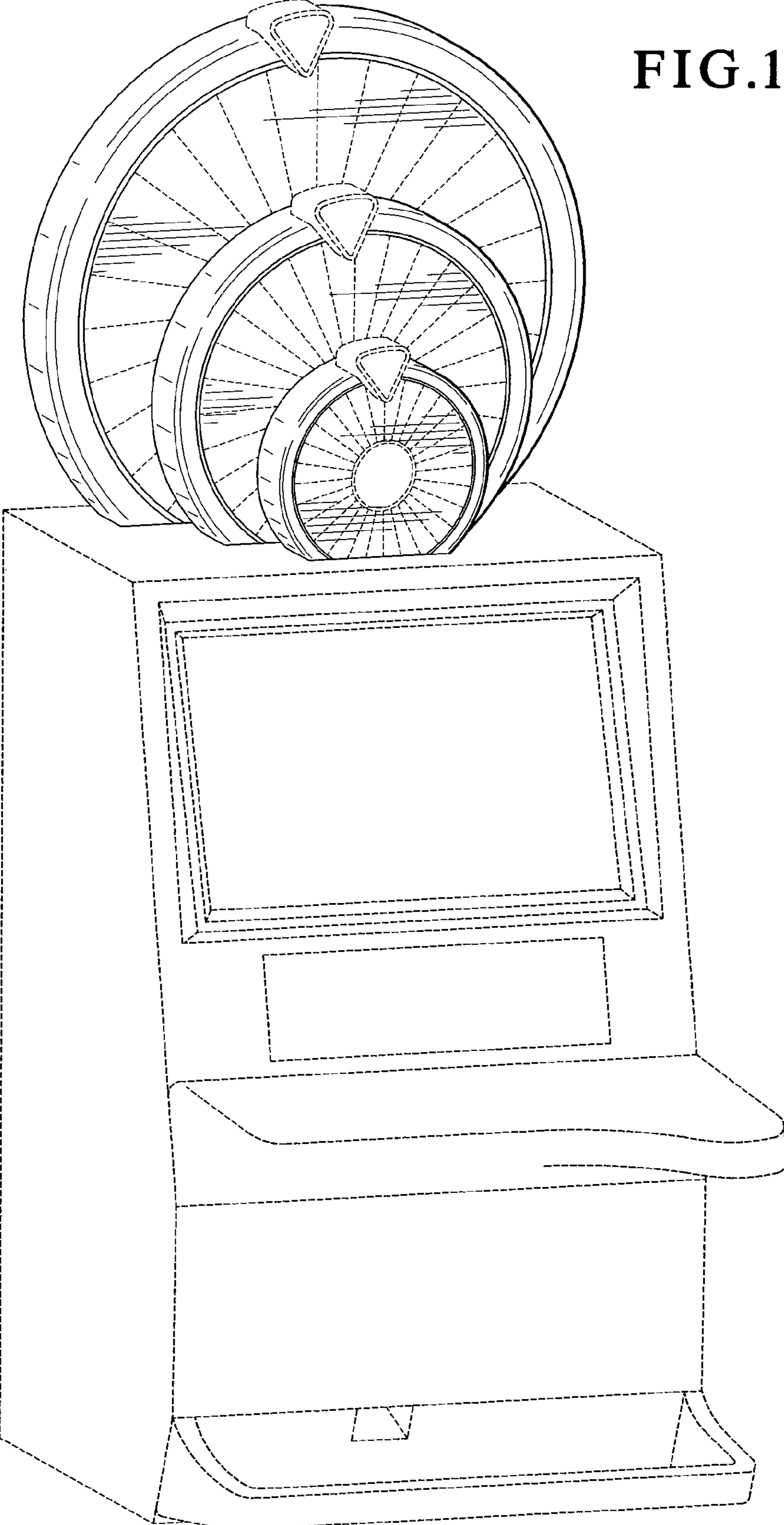


FIG. 1

FIG. 2

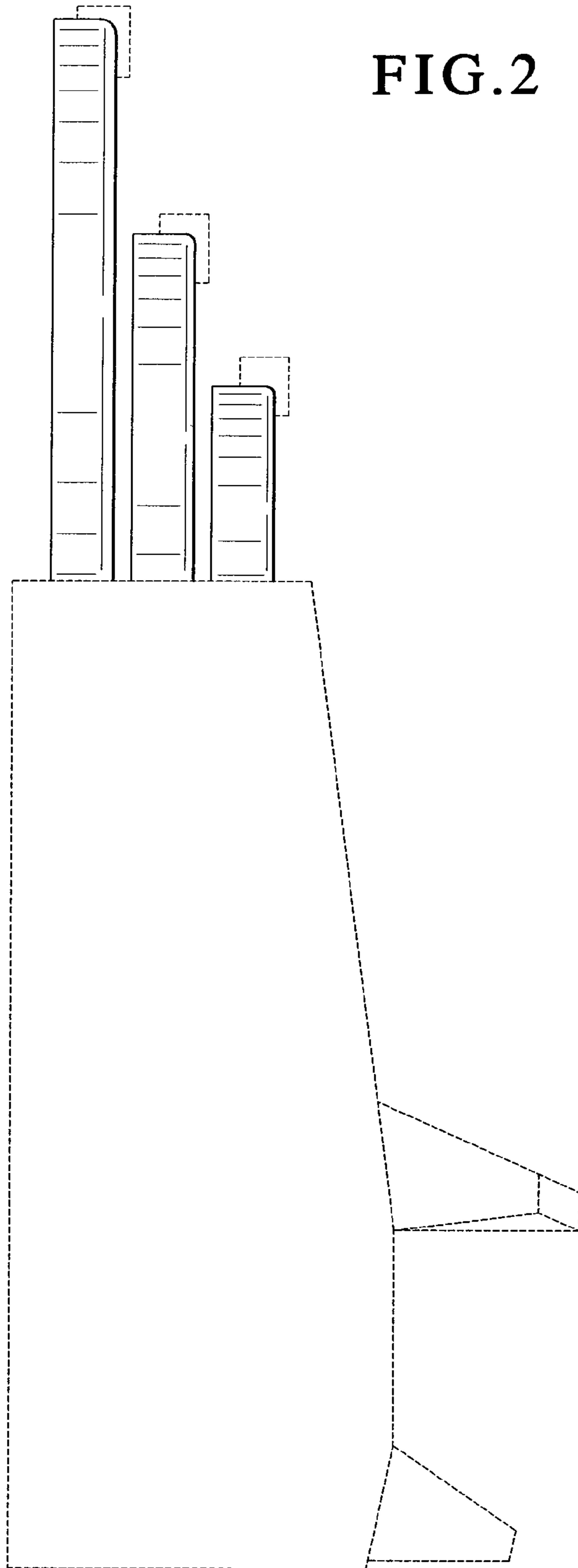


FIG. 3

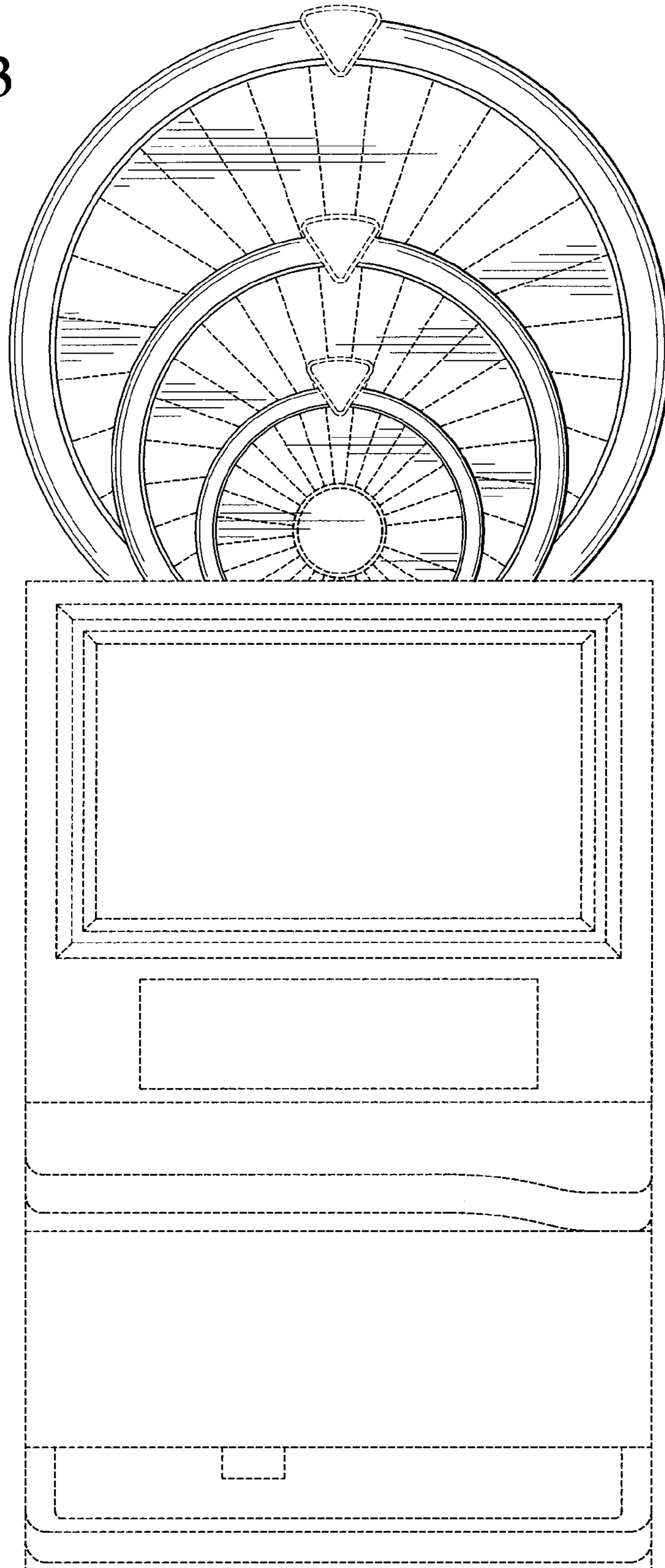


FIG. 4

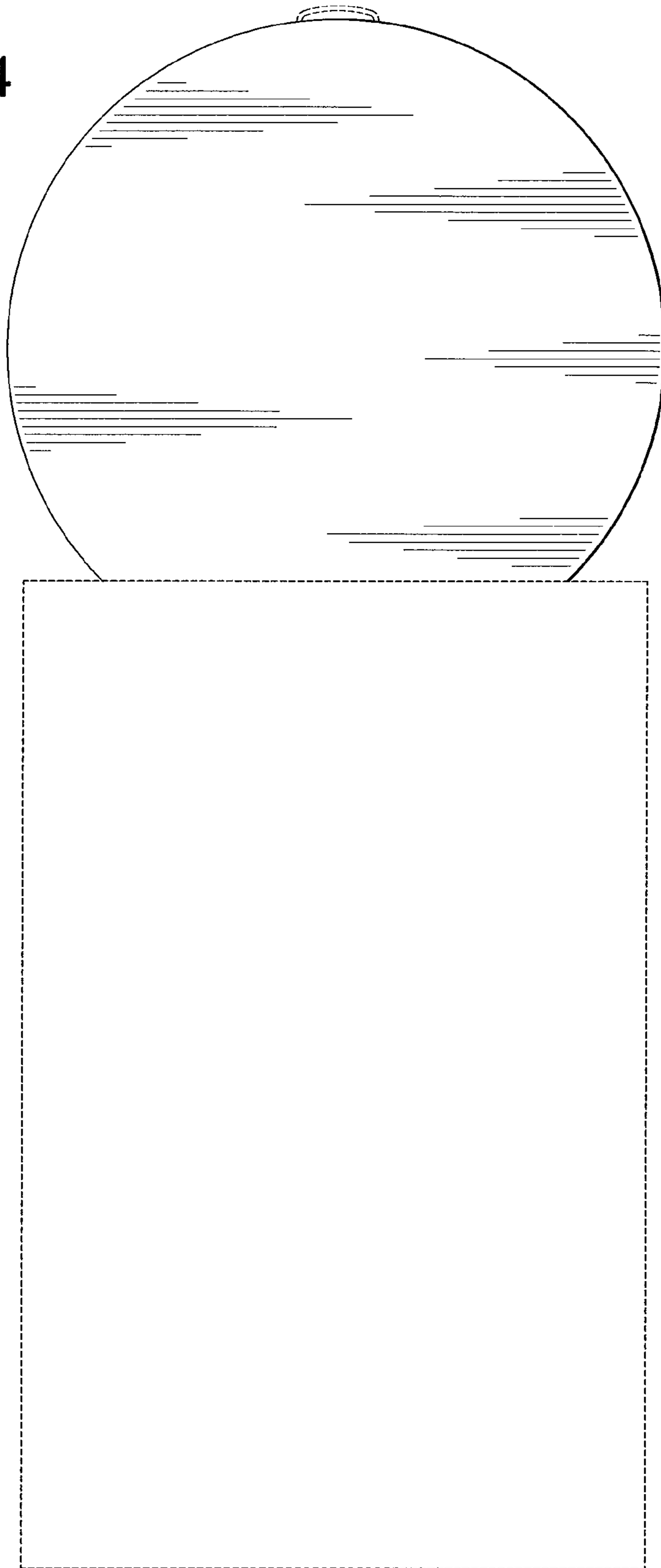


FIG. 5

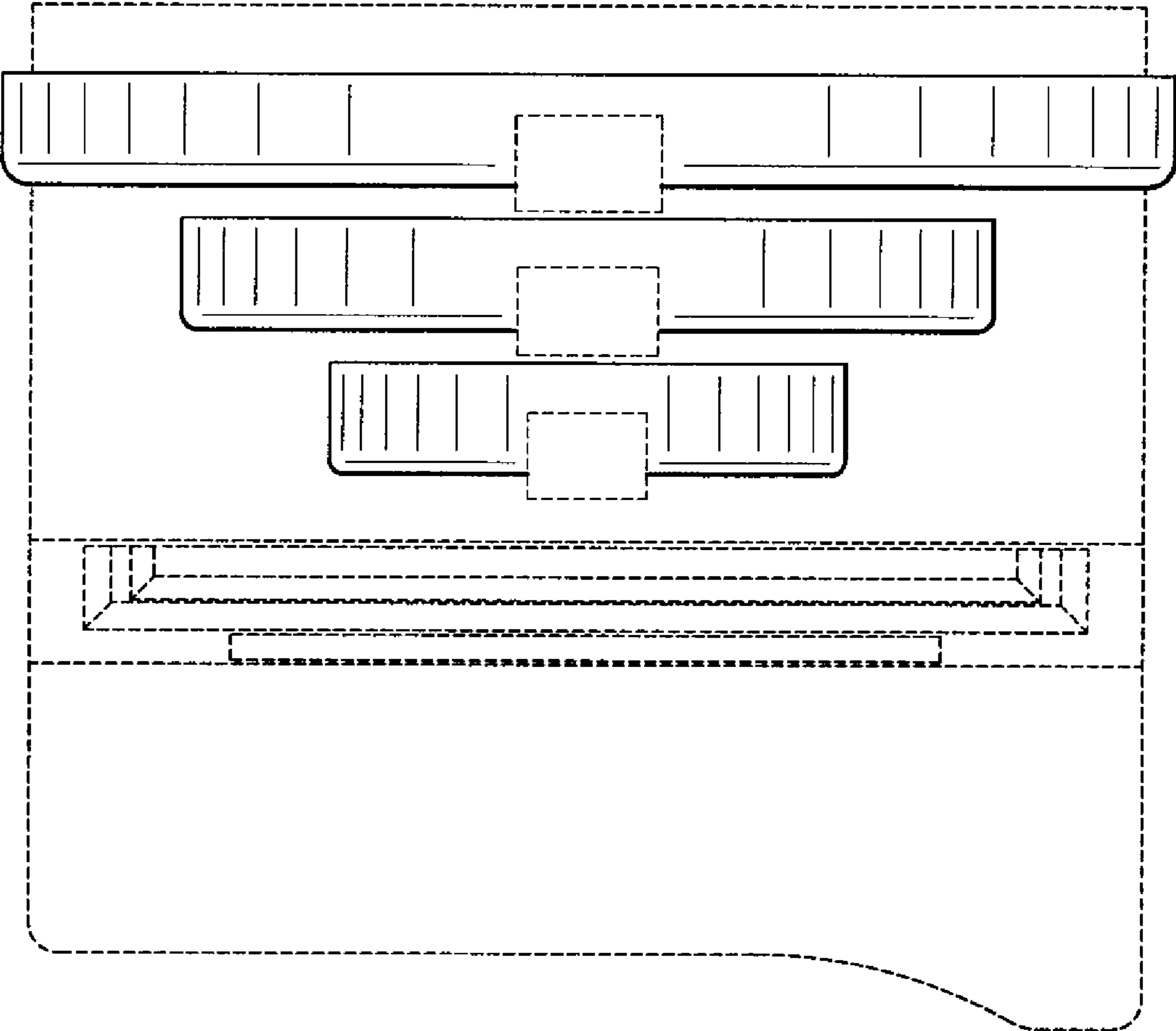


FIG.6

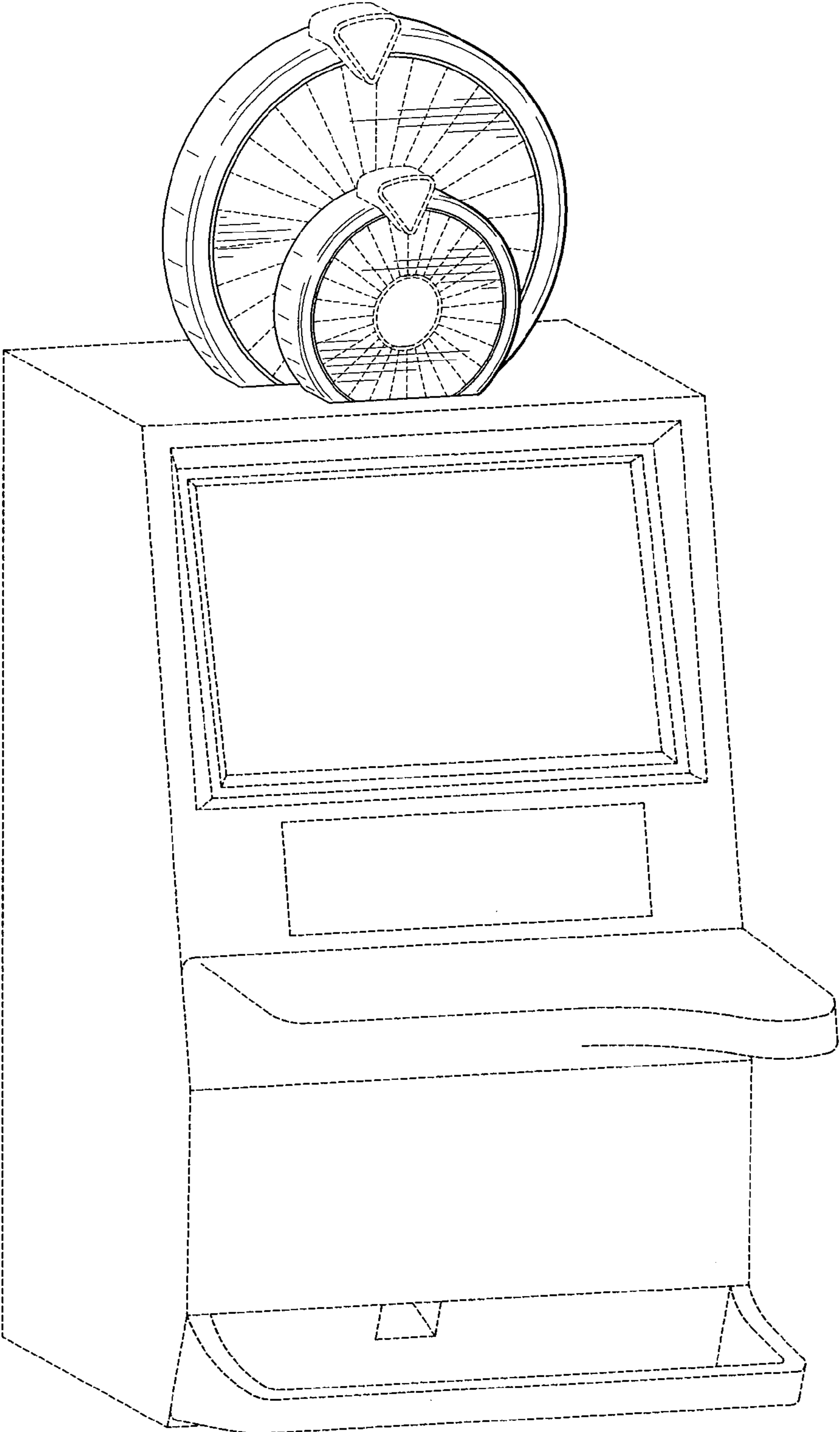


FIG. 7

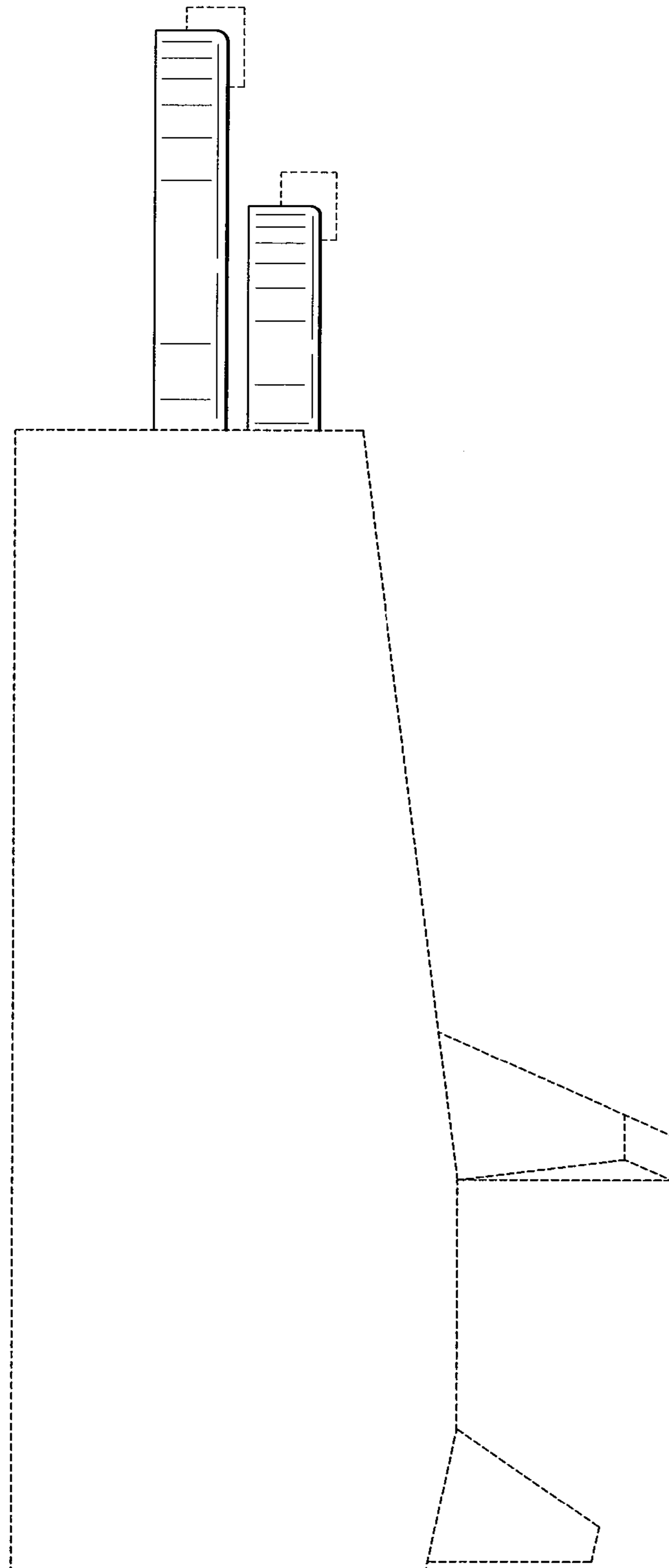


FIG. 8

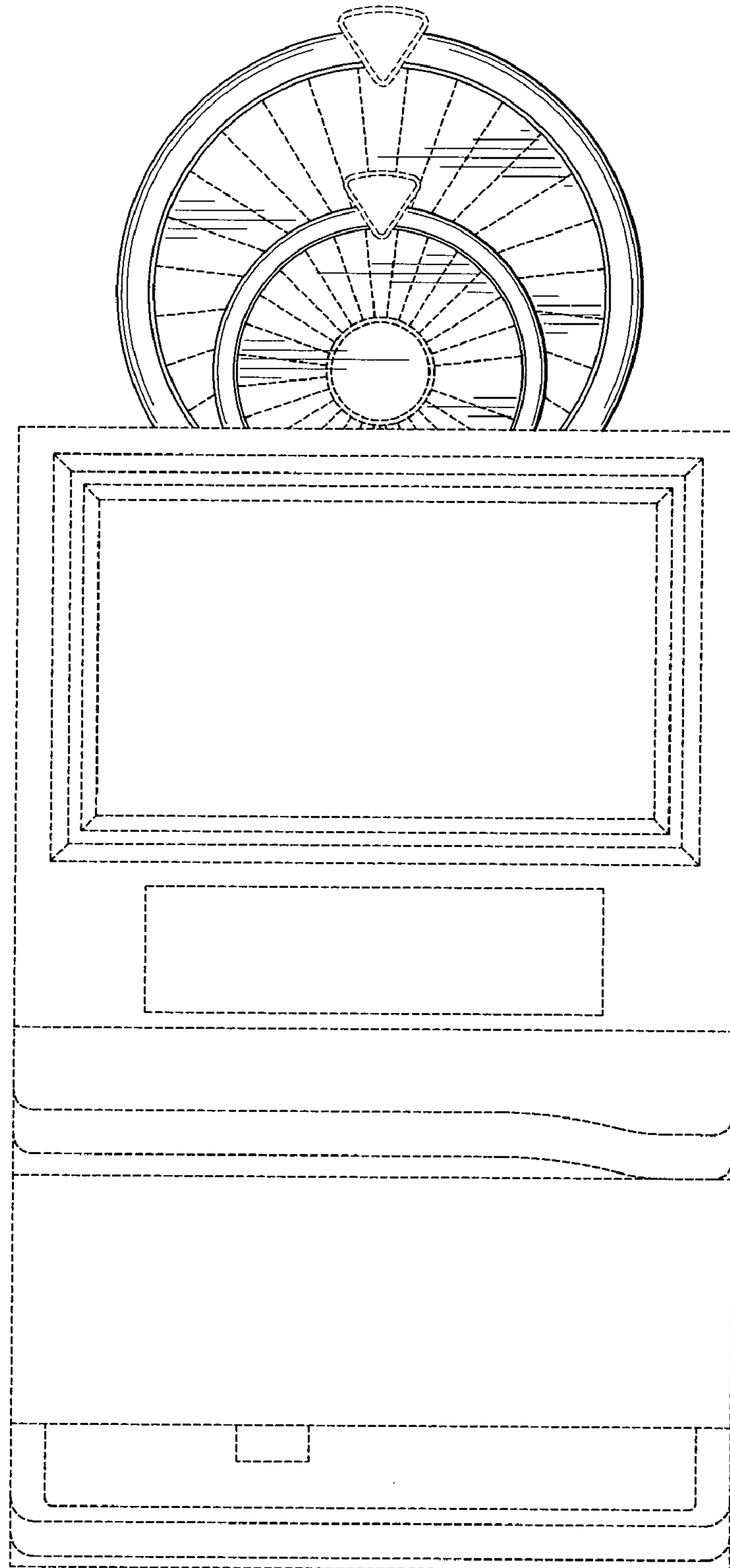


FIG. 9

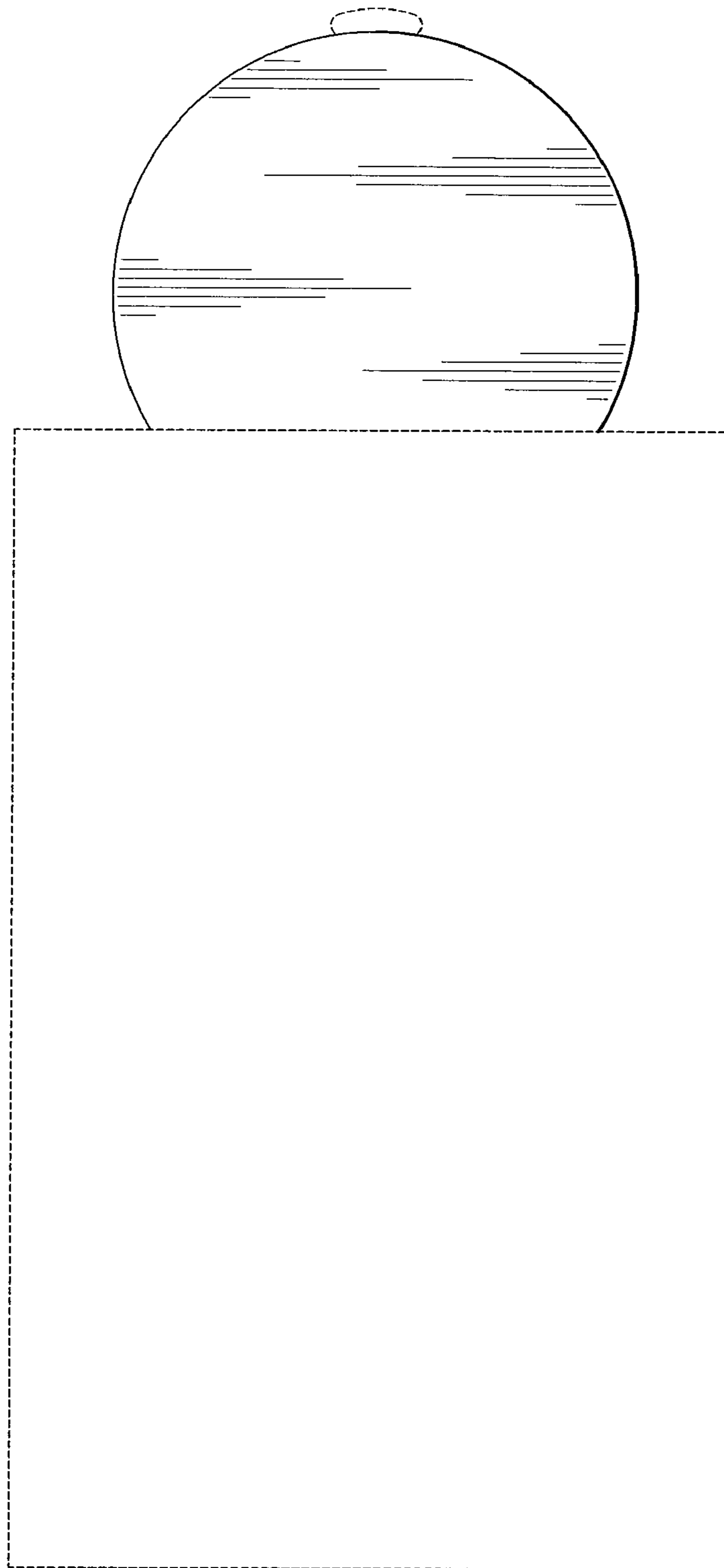


FIG.10

