

US00D569915S

(12) **United States Design Patent**  
**Zu**

(10) **Patent No.:** **US D569,915 S**

(45) **Date of Patent:** **\*\* May 27, 2008**

(54) **LABEL HOLDER**

(75) Inventor: **Runner Zu**, Foshan (CN)

(73) Assignee: **Deflecto Corporation**, Fishers, IN (US)

(\*\*) Term: **14 Years**

(21) Appl. No.: **29/283,274**

(22) Filed: **Aug. 9, 2007**

(51) **LOC (8) Cl.** ..... **20-03**

(52) **U.S. Cl.** ..... **D20/43**

(58) **Field of Classification Search** ..... D20/10,  
D20/13, 15, 17, 19, 28, 43, 99; 40/1.5, 1.6,  
40/6, 124.01, 299.01, 584, 601.5, 607.11,  
40/624, 625, 626, 628, 661, 646, 653, 666;  
D8/395; D10/104, 106, 109; D14/385; D19/3;  
D21/753, 794; 283/56; 24/3.1, 90.1, 101 B,  
24/106, 114, 455

See application file for complete search history.

(56) **References Cited**

**U.S. PATENT DOCUMENTS**

- 785,460 A \* 3/1905 Whitsett ..... 24/3.1
- D279,799 S \* 7/1985 Kupperman et al. .... D20/13
- D283,036 S \* 3/1986 Strongwater ..... D20/28
- D372,286 S \* 7/1996 Fortini ..... D21/753
- D477,367 S \* 7/2003 Gaines et al. .... D20/17

- D494,998 S \* 8/2004 Blanke, Jr. .... D19/3
- D542,791 S \* 5/2007 Fitch et al. .... D14/385
- D560,739 S \* 1/2008 Bernatz ..... D21/794

\* cited by examiner

*Primary Examiner*—Caron D. Veynar

*Assistant Examiner*—Mary Ann Calabrese

(74) *Attorney, Agent, or Firm*—Sonnenschein Nath & Rosenthal LLP; Brian R. McGinley

(57) **CLAIM**

The ornamental design for a label holder, as shown and described.

**DESCRIPTION**

FIG. 1 is a front perspective view of a label holder showing the new design.

FIG. 2 is a front view of the label holder of FIG. 1.

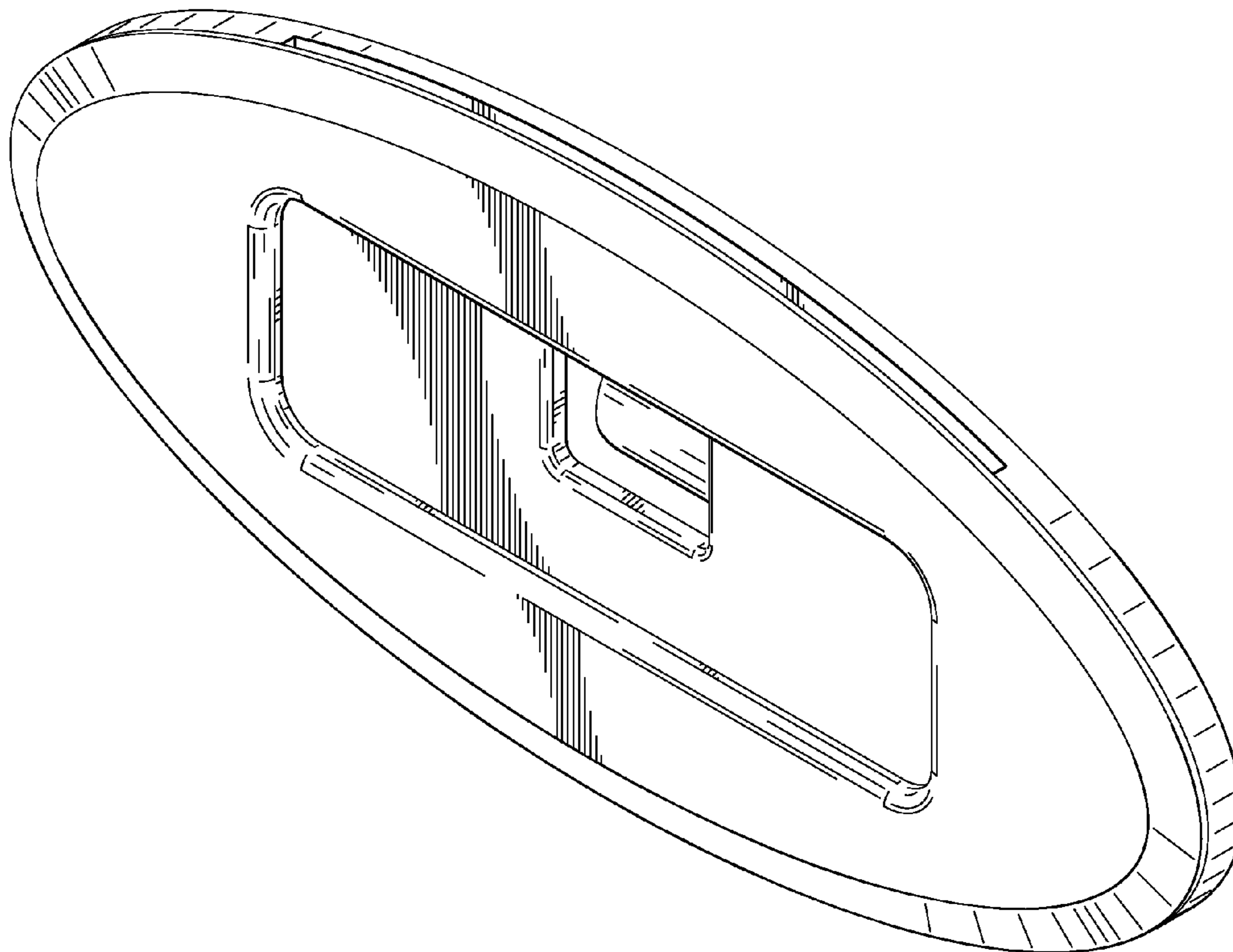
FIG. 3 is a right elevation view of the label holder of FIG. 1; the left elevation view is a mirror image of FIG. 3.

FIG. 4 is a rear view of the label holder of FIG. 1.

FIG. 5 is a top view of the label holder of FIG. 1.

FIG. 6 is a bottom view of the label holder of FIG. 1; and, FIG. 7 is a rear perspective view of the label holder of FIG. 1.

**1 Claim, 5 Drawing Sheets**



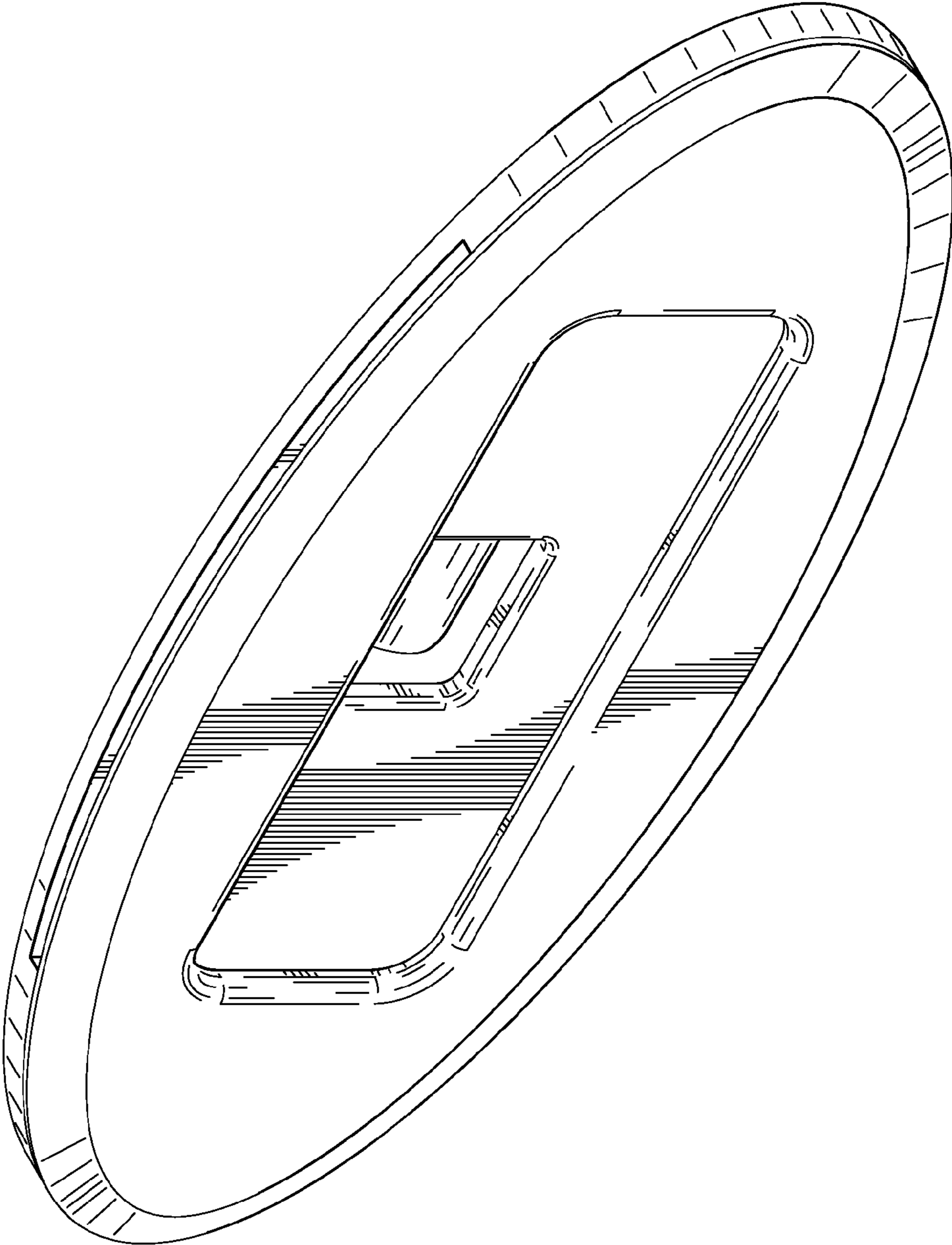


FIG. 1

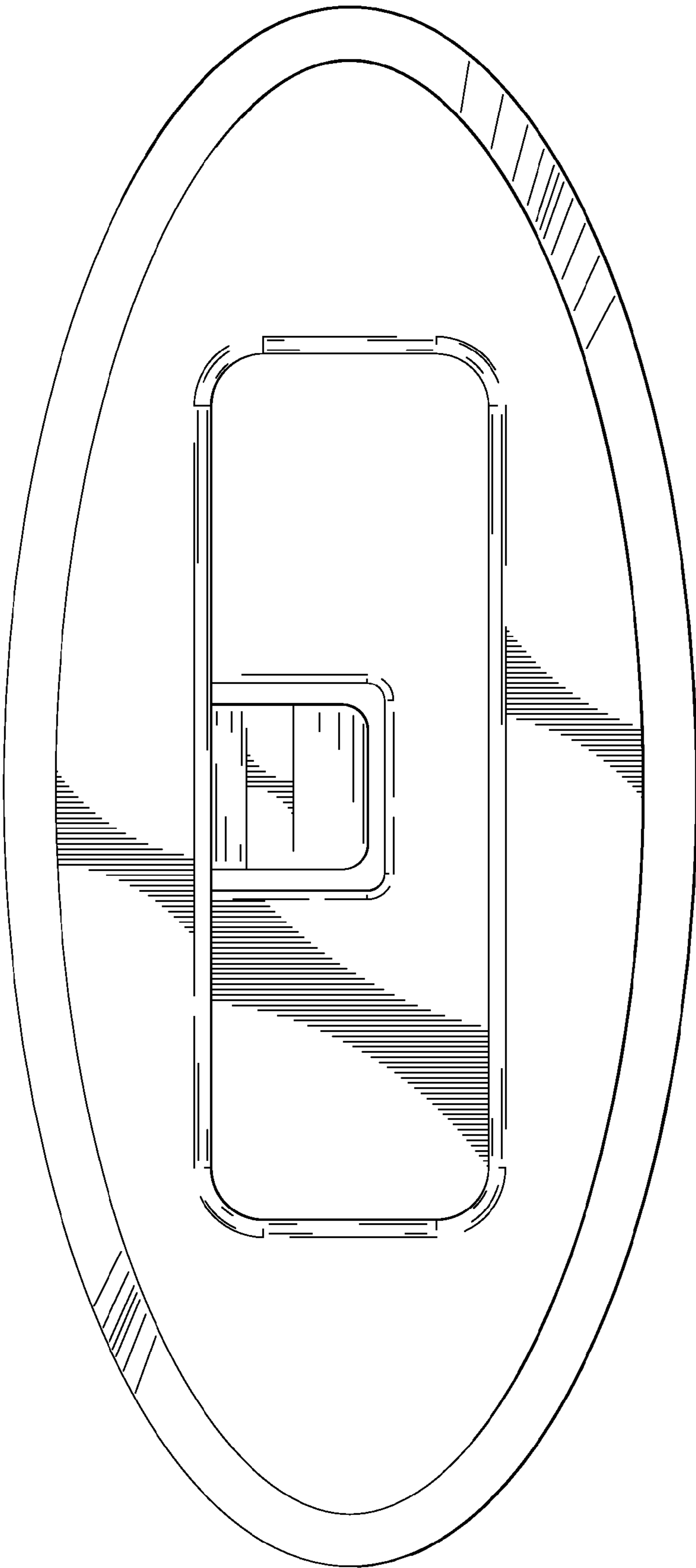


FIG. 2

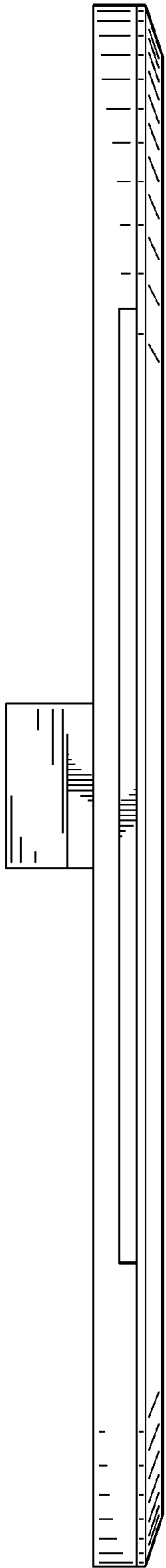


FIG. 5

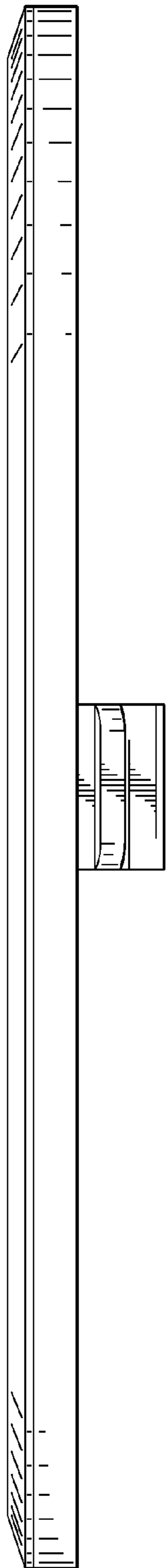


FIG. 6

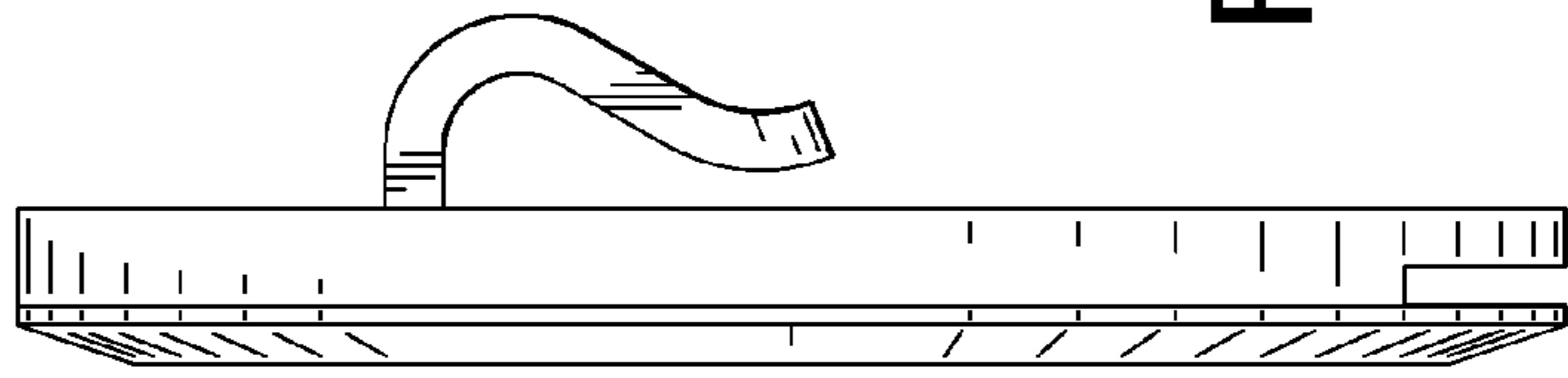


FIG. 3

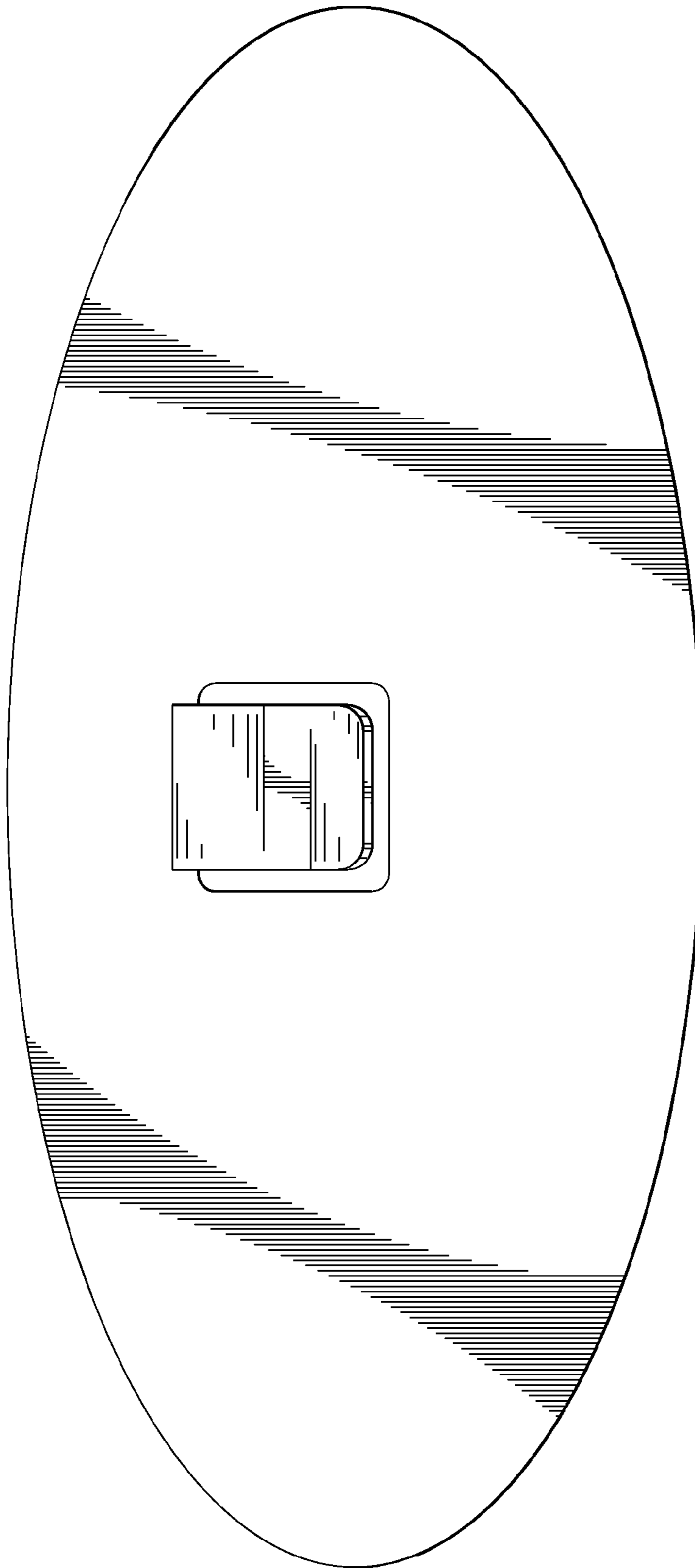


FIG. 4

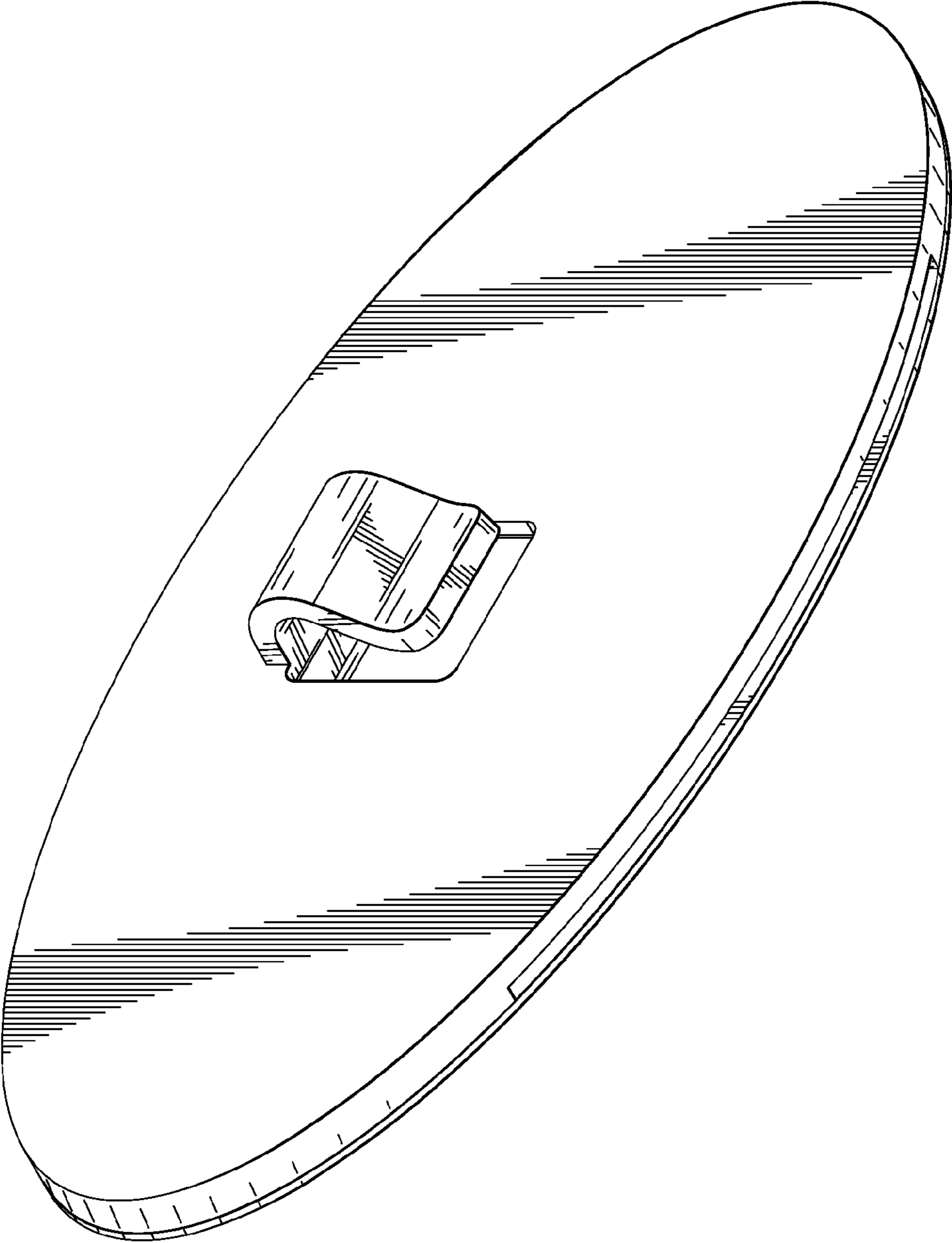


FIG. 7