



US00D569914S

(12) **United States Design Patent**
Kotani et al.

(10) **Patent No.:** **US D569,914 S**
(45) **Date of Patent:** **** May 27, 2008**

(54) **PENCIL SHARPENER**

(75) Inventors: **Akihiko Kotani**, Kadoma (JP); **Takako Hayashi**, Kadoma (JP)

(73) Assignee: **Matsushita Electric Industrial Co., Ltd.**, Osaka (JP)

(**) Term: **14 Years**

(21) Appl. No.: **29/267,991**

(22) Filed: **Oct. 26, 2006**

(30) **Foreign Application Priority Data**

Apr. 27, 2006 (JP) 2006-010966

(51) **LOC (8) Cl.** **19-06**

(52) **U.S. Cl.** **D19/73**

(58) **Field of Classification Search** D19/65,
D19/72-74, 80, 95, 99, 100; D7/694; D8/91,
D8/98; D21/424, 533, 540, 541, 548, 549,
D21/550, 560, 563, 589; 30/451-462; 144/28,
144/28.11, 28.1-28.9, 28.71, 28.72
See application file for complete search history.

(56) **References Cited**

U.S. PATENT DOCUMENTS

- D117,901 S * 12/1939 Hoffman D19/73
- 2,251,053 A * 7/1941 Hoffmann 144/28.71
- 2,266,269 A * 12/1941 Romeiser 144/28.5
- 2,335,148 A * 11/1943 Hoffmann 144/28.71
- D152,554 S * 2/1949 May D19/74
- D159,400 S * 7/1950 Wimmer D19/73
- D171,126 S * 12/1953 Fryer D19/74
- 2,926,633 A * 3/1960 Wilkinson 144/28.5
- D222,188 S * 10/1971 Kajiwara D19/73
- 3,777,791 A * 12/1973 Uchida 144/28.72
- D250,035 S 10/1978 Kajiwara
- D251,008 S 2/1979 Kajiwara
- D265,323 S 7/1982 Macowski
- D298,840 S 12/1988 Macowski
- D320,812 S 10/1991 Yuen
- D354,987 S 1/1995 Yuen
- D390,264 S 2/1998 Singleton et al.

- D394,196 S * 5/1998 Richardson D8/91
- D396,062 S 7/1998 White et al.
- D406,173 S 2/1999 Chen
- D422,313 S 4/2000 Chen
- D425,560 S * 5/2000 Yuen D19/73
- D441,796 S 5/2001 Chan
- D470,889 S 2/2003 Daley, Jr.
- D474,677 S * 5/2003 Brodie et al. D8/358
- D480,110 S 9/2003 Lin
- D495,004 S 8/2004 Yuen
- D495,366 S 8/2004 Yuen
- D500,798 S 1/2005 Yuen
- D512,290 S * 12/2005 Adams et al. D8/50
- D512,461 S 12/2005 Tsuruha
- 7,134,461 B2 * 11/2006 Takada 144/28.72

(Continued)

OTHER PUBLICATIONS

Stanley Heavy-duty electric pencil sharpener, as shown on www.amazon.com, dated Apr. 3, 2006 (2 pages).*

Primary Examiner—Elizabeth A. Albert
Assistant Examiner—Karen E Eldridge Powers
(74) *Attorney, Agent, or Firm*—Brinks Hofer Gilson & Lione

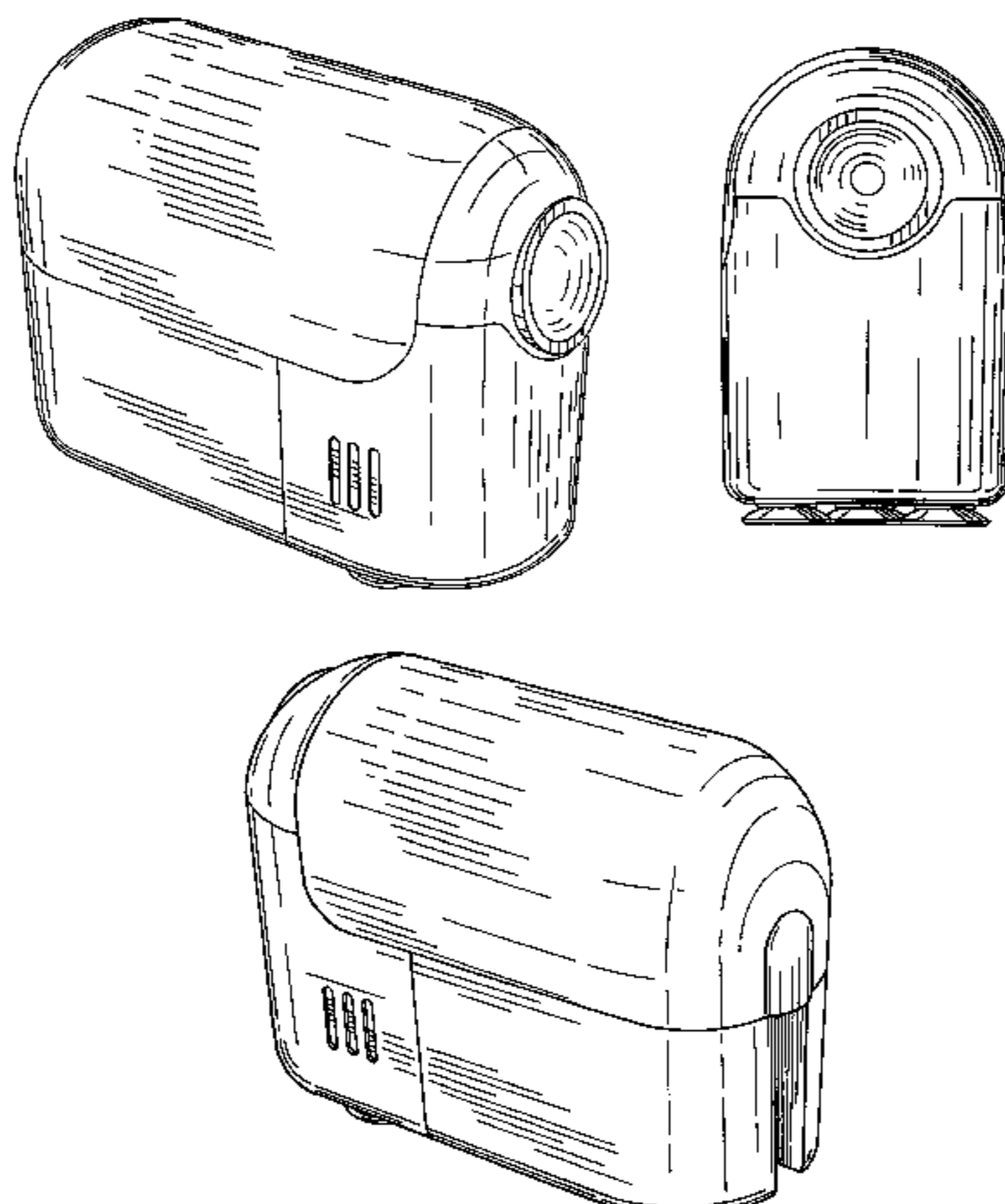
(57) **CLAIM**

We claim the ornamental design for a pencil sharpener, as shown and described.

DESCRIPTION

FIG. 1 is a front perspective view of a pencil sharpener of the present invention;
FIG. 2 is a front view thereof;
FIG. 3 is a first side view thereof;
FIG. 4 is a second side view thereof;
FIG. 5 is a top view thereof;
FIG. 6 is a rear view thereof;
FIG. 7 is a bottom view thereof; and,
FIG. 8 is a rear perspective view thereof.

1 Claim, 5 Drawing Sheets



US D569,914 S

Page 2

U.S. PATENT DOCUMENTS

D545,370 S	*	6/2007	Kent et al.	D19/73	D553,193 S	*	10/2007	Parrish et al.	D19/73
D545,371 S	*	6/2007	Kent et al.	D19/73	7,311,235 B2	*	12/2007	Aoki	227/7
D545,372 S	*	6/2007	Kent et al.	D19/73	7,322,116 B2	*	1/2008	Long et al.	33/286

* cited by examiner

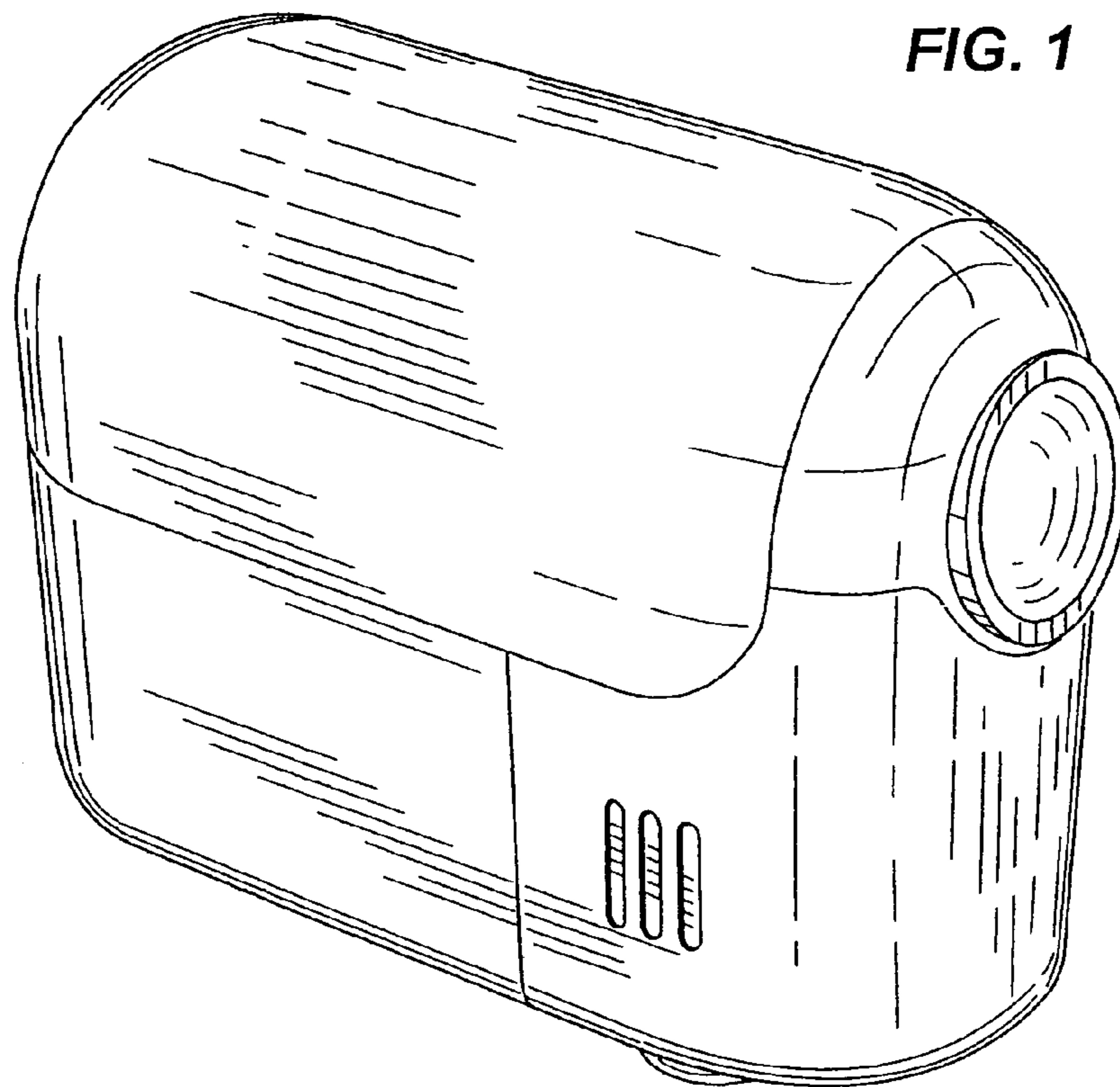


FIG. 2

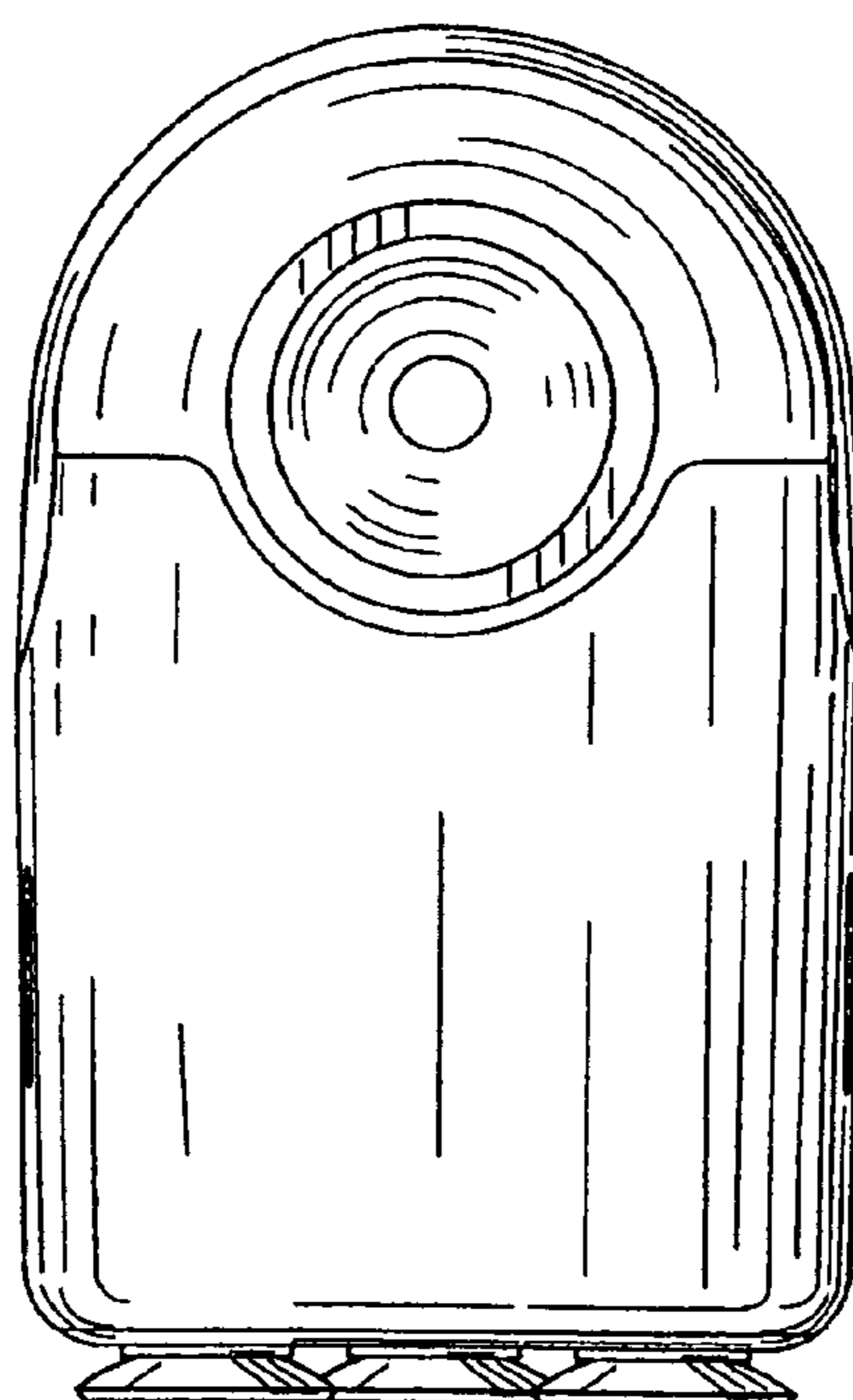


FIG. 3

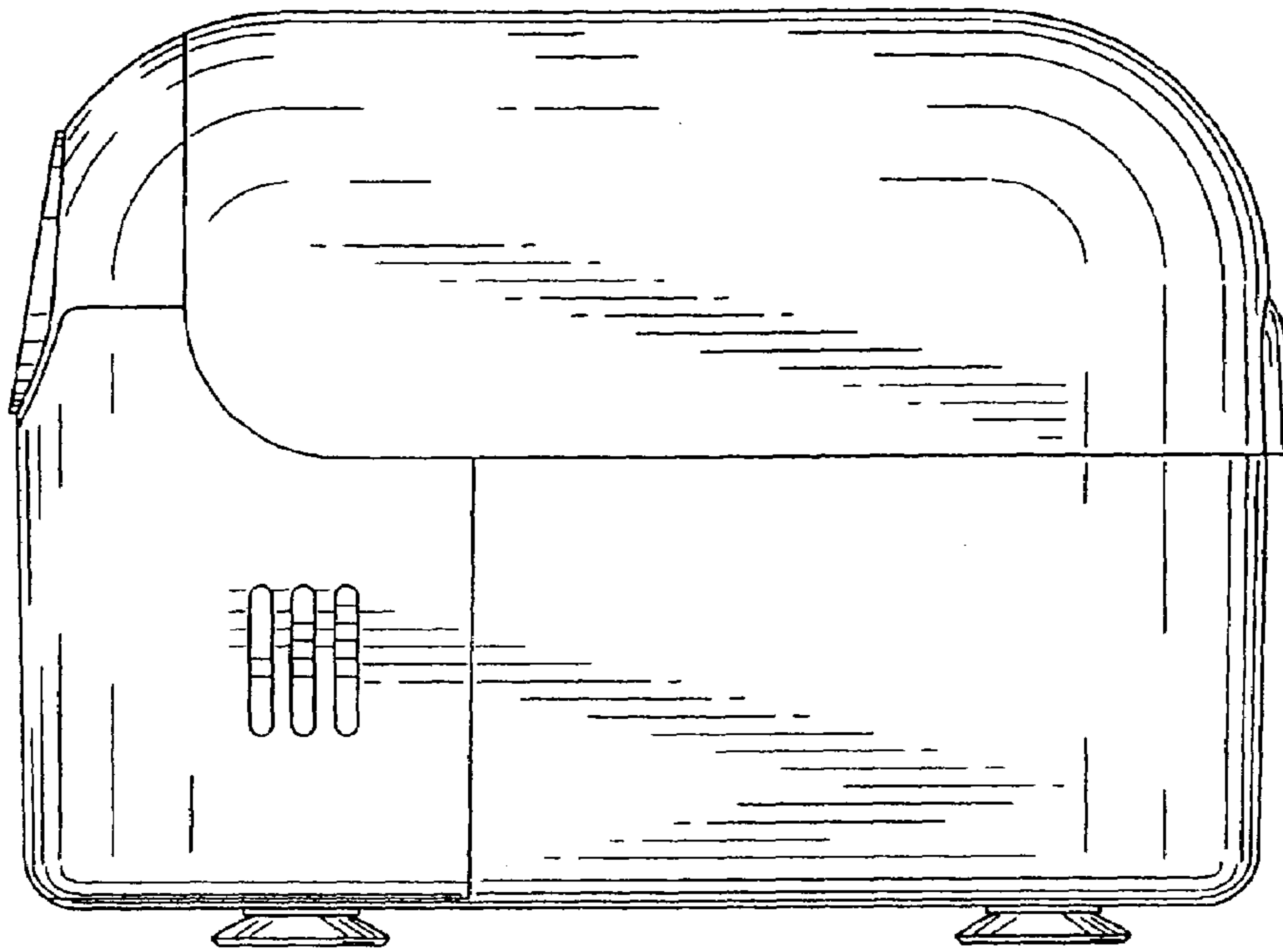


FIG. 4

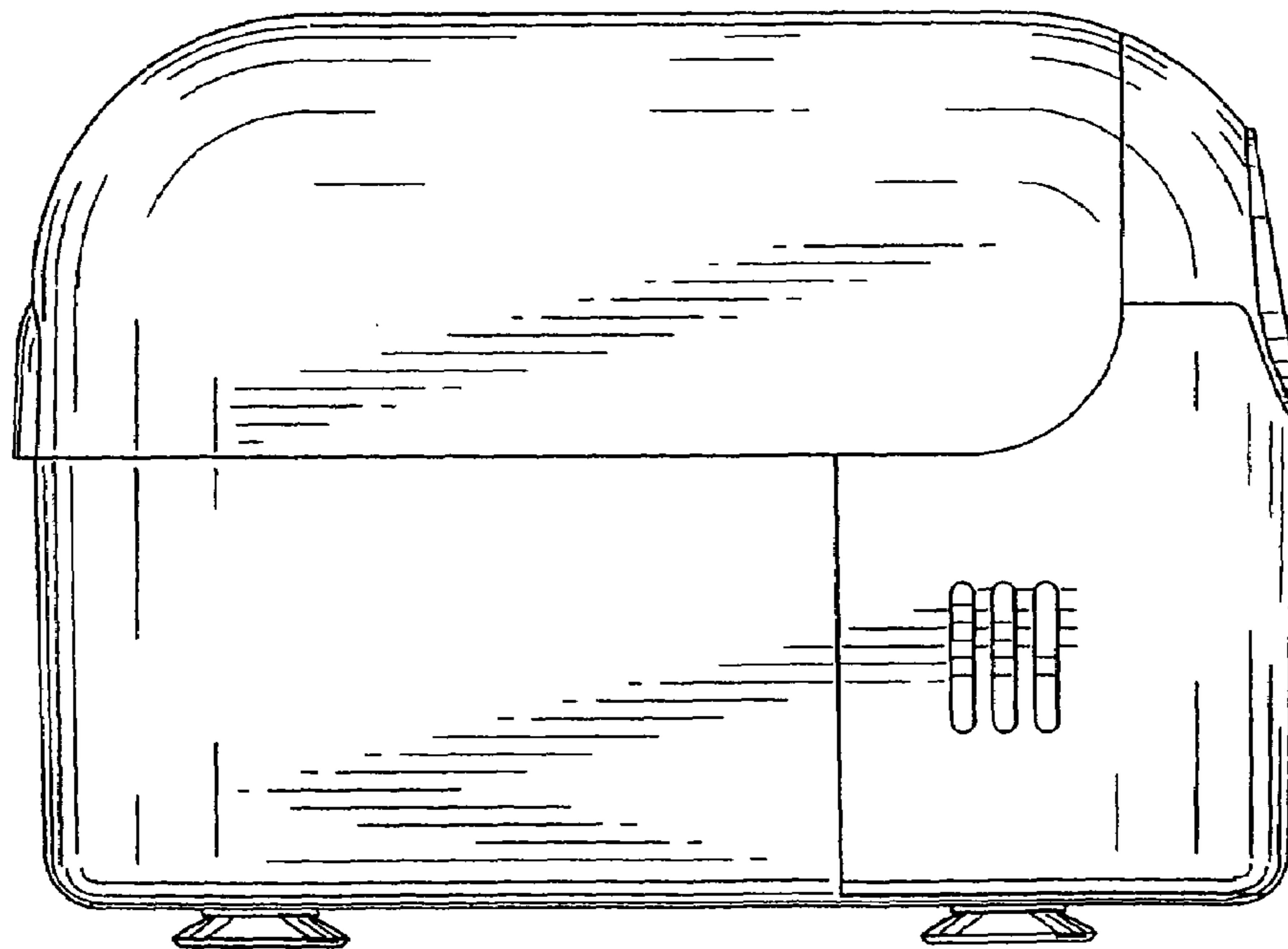


FIG. 5

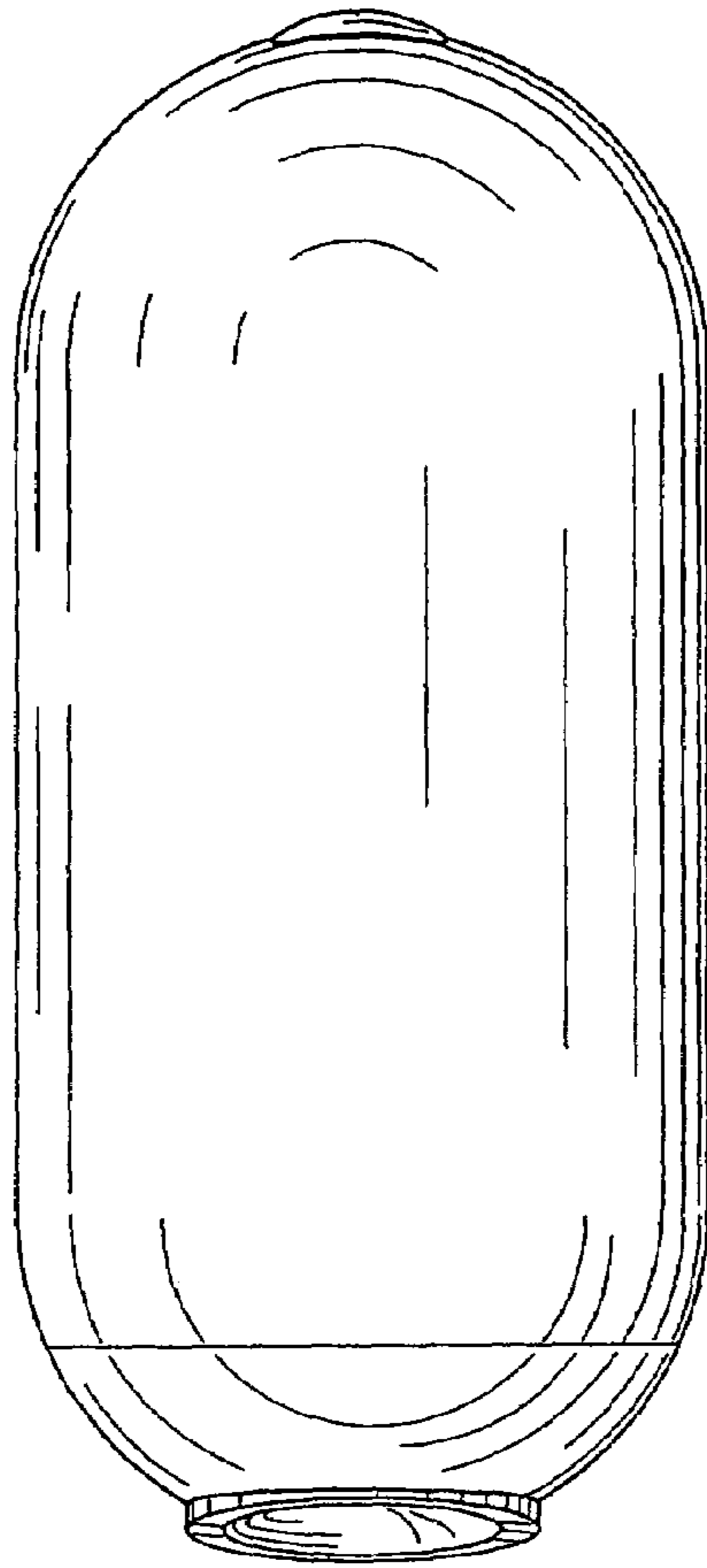
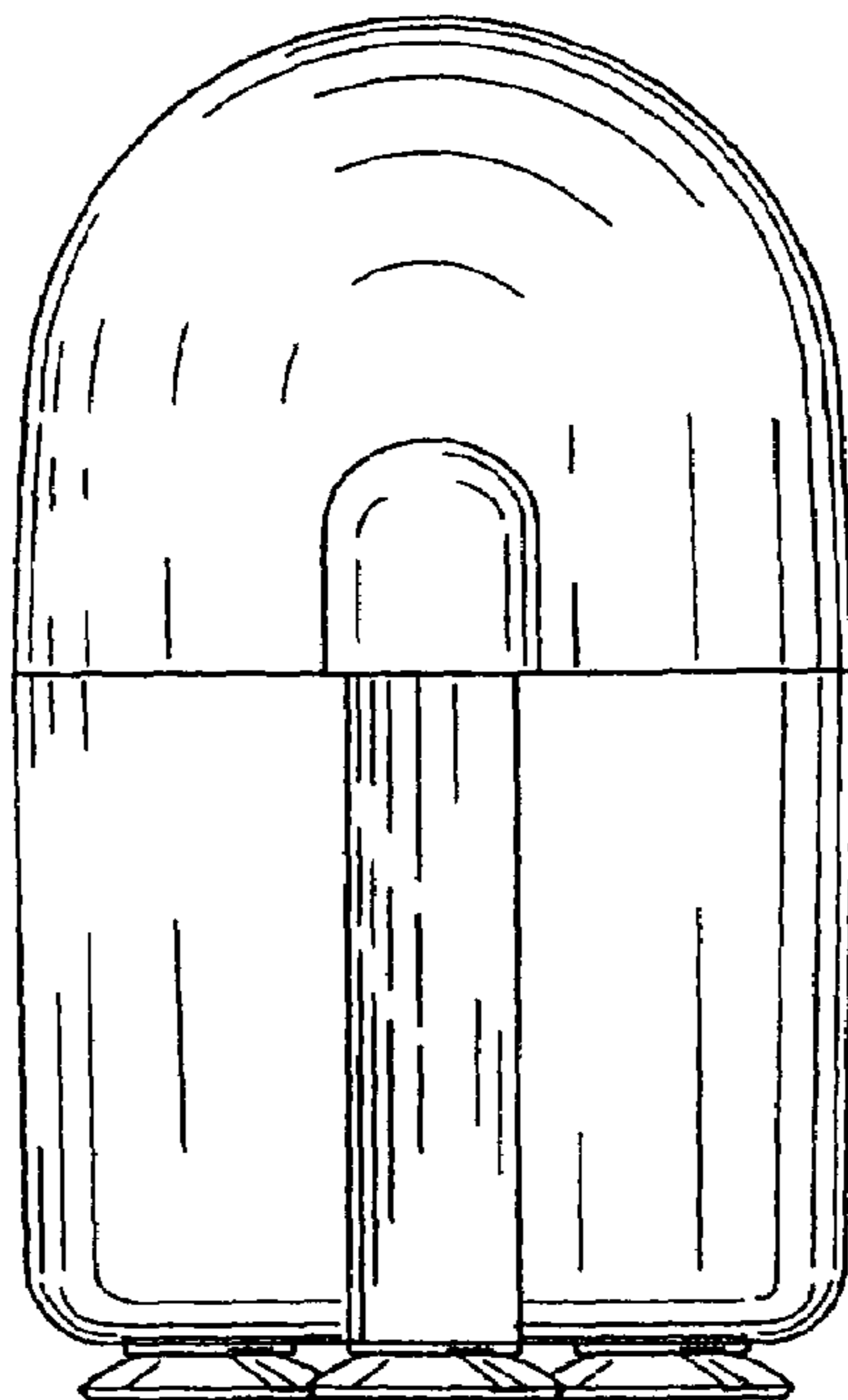


FIG. 6



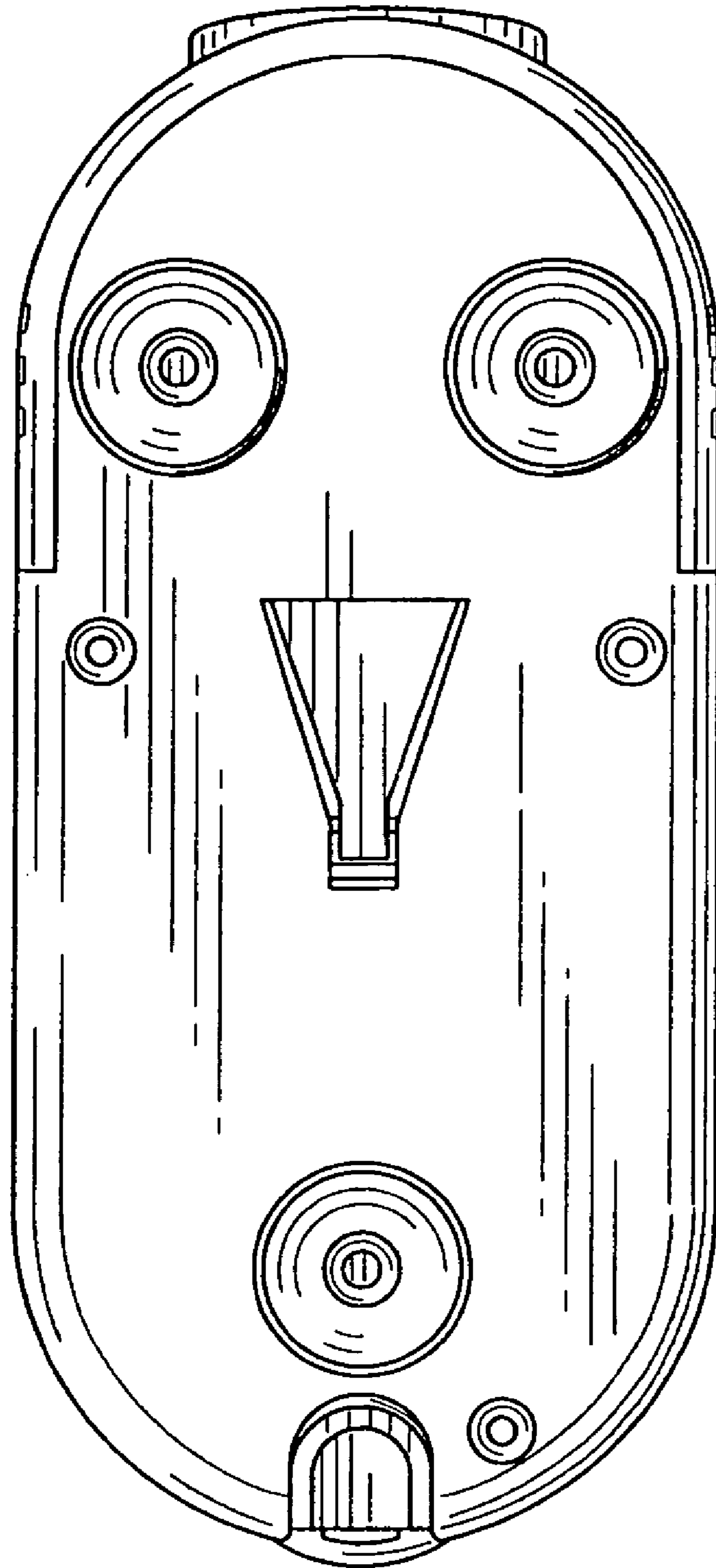


FIG. 7

FIG.8

