



US00D569913S

(12) **United States Design Patent** (10) **Patent No.:** **US D569,913 S**  
**Crawford et al.** (45) **Date of Patent:** **\*\* May 27, 2008**

(54) **TAPE DISPENSER**

(75) Inventors: **Dennis L. Crawford**, Roberts, WI (US); **Scott D. Gullicks**, Apple Valley, MN (US); **Peter J. Newbould**, Milan (IT); **Sigurdur Thorsteinsson**, Milan (IT)

(73) Assignee: **3M Innovative Properties Company**, St. Paul, MN (US)

(\*\*) Term: **14 Years**

(21) Appl. No.: **29/256,881**

(22) Filed: **Mar. 27, 2006**

(51) **LOC (8) Cl.** ..... **19-02**

(52) **U.S. Cl.** ..... **D19/69**

(58) **Field of Classification Search** ..... D8/44;  
D19/66-70; 101/213, 219, 288, 328; 156/269,  
156/386, 494, 511, 519, 523, 527, 577, 579;  
206/411; 221/26, 73; 226/164; 242/588,  
242/588.1, 588.2, 588.3, 588.6, 589.5; 16/431;  
D14/426, 429, 403, 428

See application file for complete search history.

(56) **References Cited**

**U.S. PATENT DOCUMENTS**

3,972,769	A *	8/1976	Lissoni	.....	156/577
D280,738	S *	9/1985	Grassi	.....	D19/68
4,627,560	A	12/1986	Samuelson		
4,762,586	A *	8/1988	Wilkie	.....	156/527
D326,474	S	5/1992	Luhman et al.		
D333,678	S *	3/1993	Lissoni	.....	D19/69
5,468,332	A	11/1995	Dretzka et al.		
5,641,377	A	6/1997	Chung et al.		
D385,265	S *	10/1997	Knowles et al.	.....	D14/403
5,759,342	A	6/1998	Luhman et al.		
5,792,310	A	8/1998	Thompson et al.		
D412,820	S *	8/1999	Lee	.....	D8/44
D414,171	S *	9/1999	Swift et al.	.....	D14/428
6,098,690	A *	8/2000	Robichaud	.....	156/577

6,170,395	B1 *	1/2001	Lee	.....	101/288
D446,524	S *	8/2001	Bontly et al.	.....	D14/426
D454,911	S	3/2002	Carlson et al.		
D456,808	S *	5/2002	Fitch et al.	.....	D14/428
D459,728	S *	7/2002	Roberts et al.	.....	D14/428
D470,145	S *	2/2003	Schlieffers et al.	.....	D14/428
D470,497	S *	2/2003	Byun et al.	.....	D14/426
6,721,997	B2	4/2004	Hua		
D520,061	S *	5/2006	Daunter et al.	.....	D19/69
D523,084	S *	6/2006	Wojtkun et al.	.....	D19/69
D523,478	S *	6/2006	Wojtkun et al.	.....	D19/69
7,195,048	B2 *	3/2007	Wojtkun et al.	.....	156/527
2002/0056526	A1	5/2002	Kelders et al.		
2004/0244917	A1	12/2004	Wojtkun et al.		
2006/0169709	A1 *	8/2006	Bailey et al.	.....	221/26

\* cited by examiner

*Primary Examiner*—Cathron Brooks  
*Assistant Examiner*—Austin Murphy  
(74) *Attorney, Agent, or Firm*—Trisha D. Adamson

(57) **CLAIM**

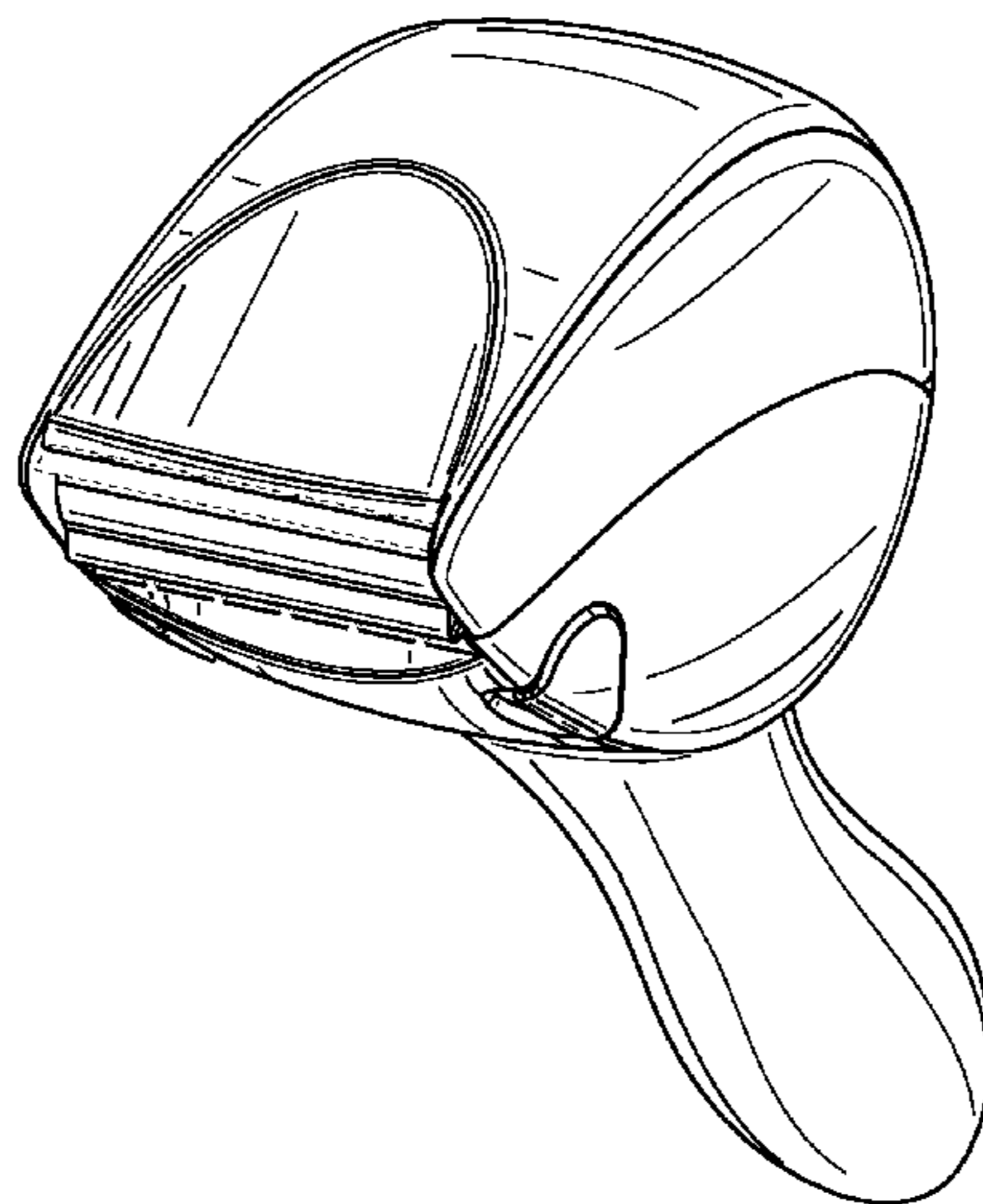
The ornamental design for a tape dispenser, as shown and described.

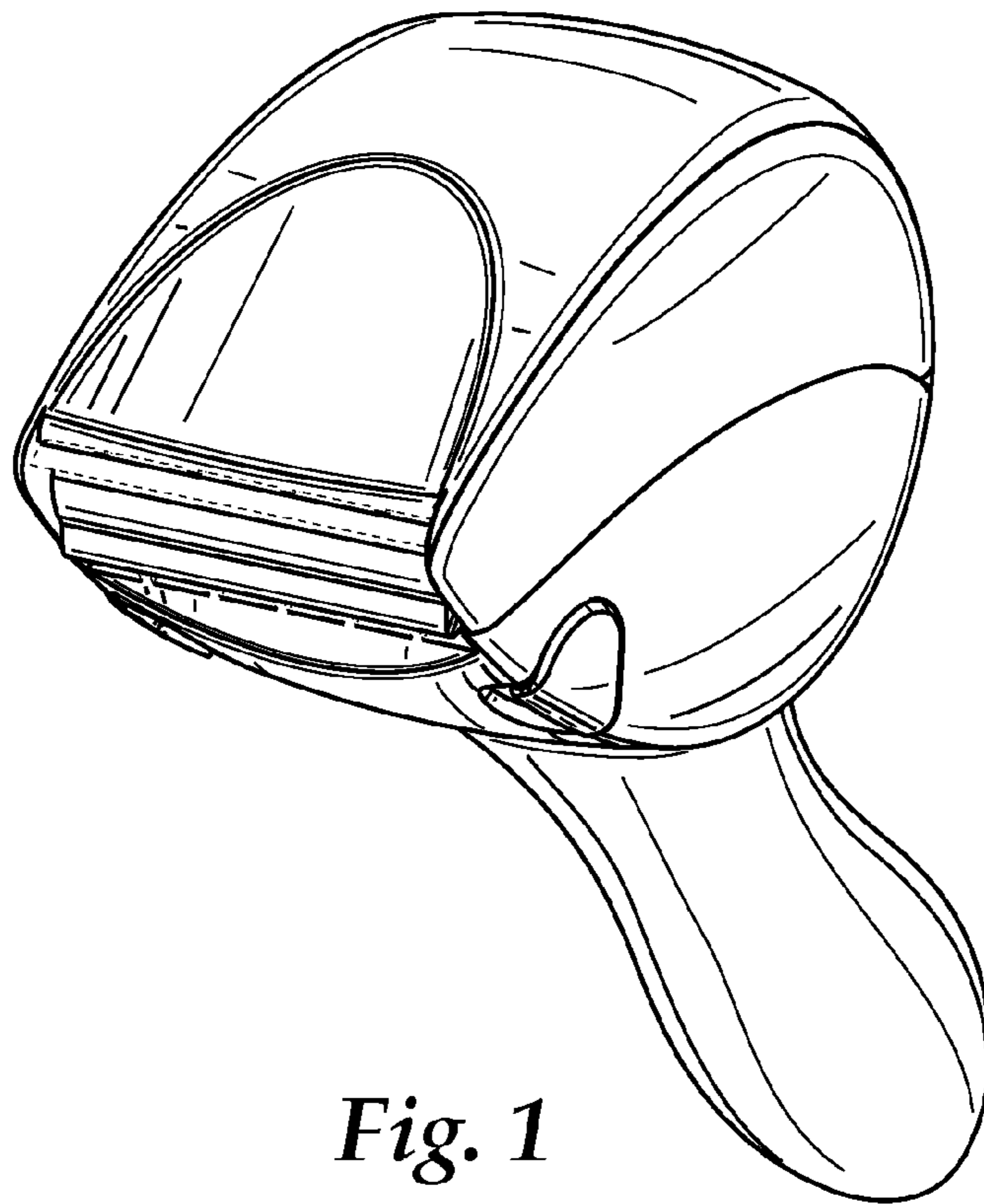
**DESCRIPTION**

FIG. 1 is a perspective view of a tape dispenser;  
FIG. 2 is a right side view thereof, the left side view being a mirror image of the right side view;  
FIG. 3 is a front view thereof;  
FIG. 4 is a rear view thereof;  
FIG. 5 is a bottom view thereof; and,  
FIG. 6 is a top view thereof.

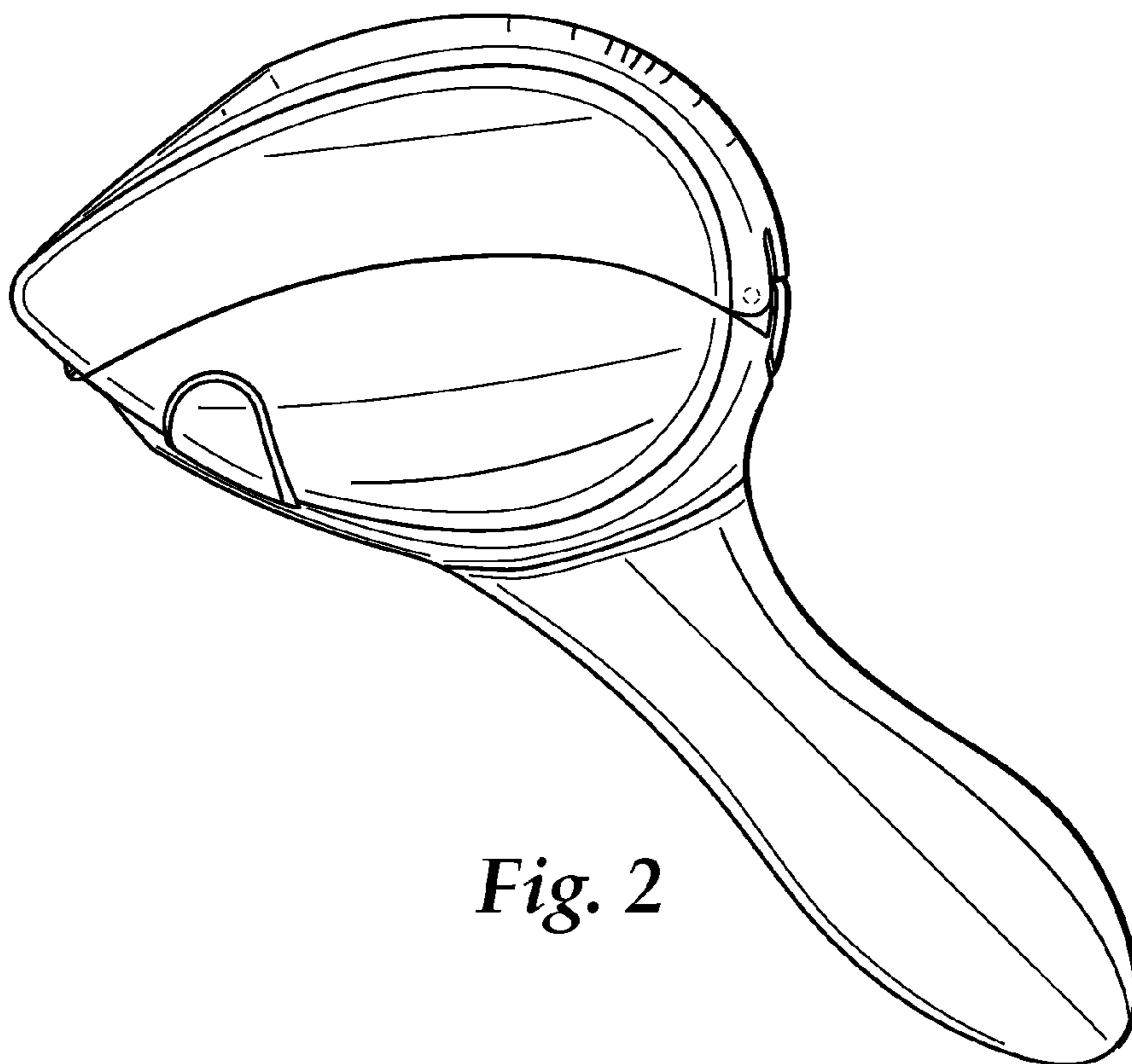
The broken lines in the drawings are shown for illustrative purposes only and form no part of the claimed design. In addition, the surface shading illustrated in the drawings is provided merely to highlight the contour of design; it is not intended to be illustrative of texture or gloss.

**1 Claim, 2 Drawing Sheets**

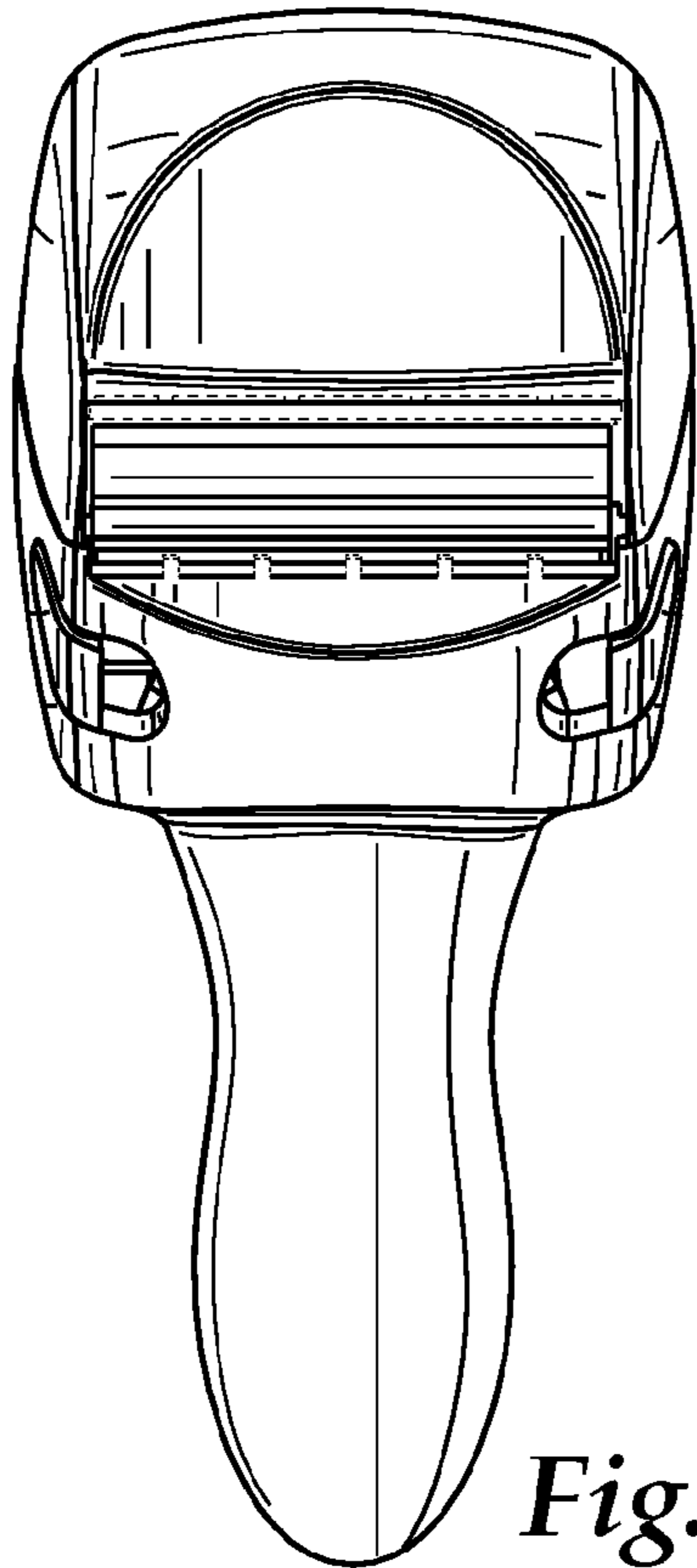




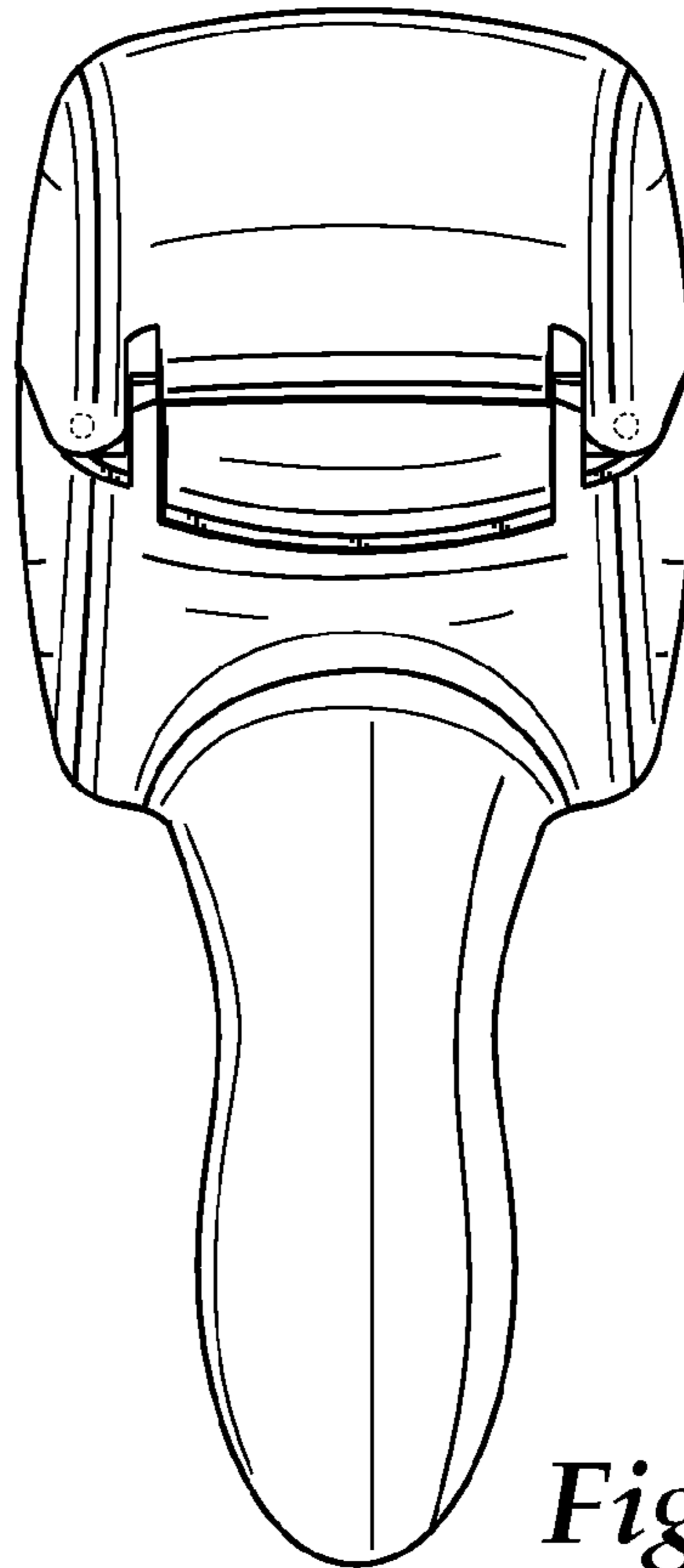
*Fig. 1*



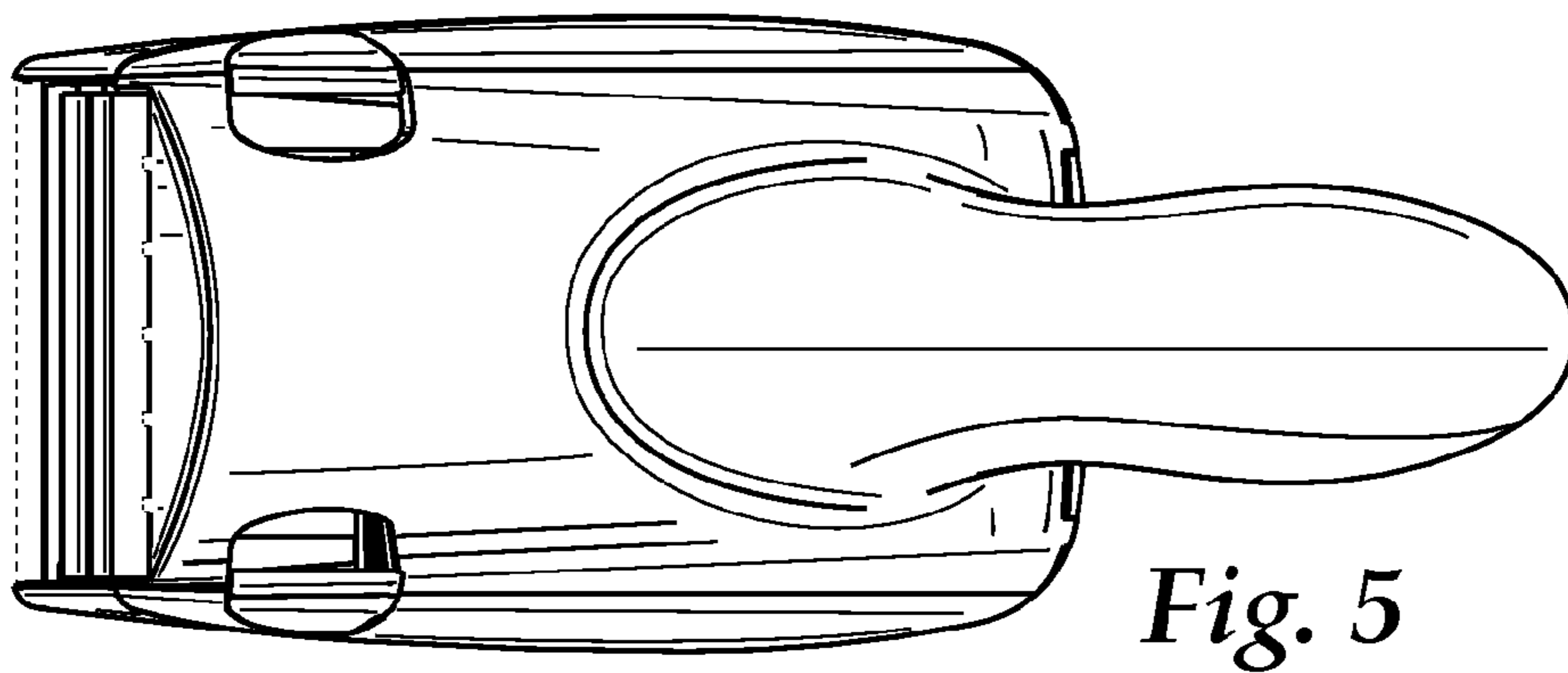
*Fig. 2*



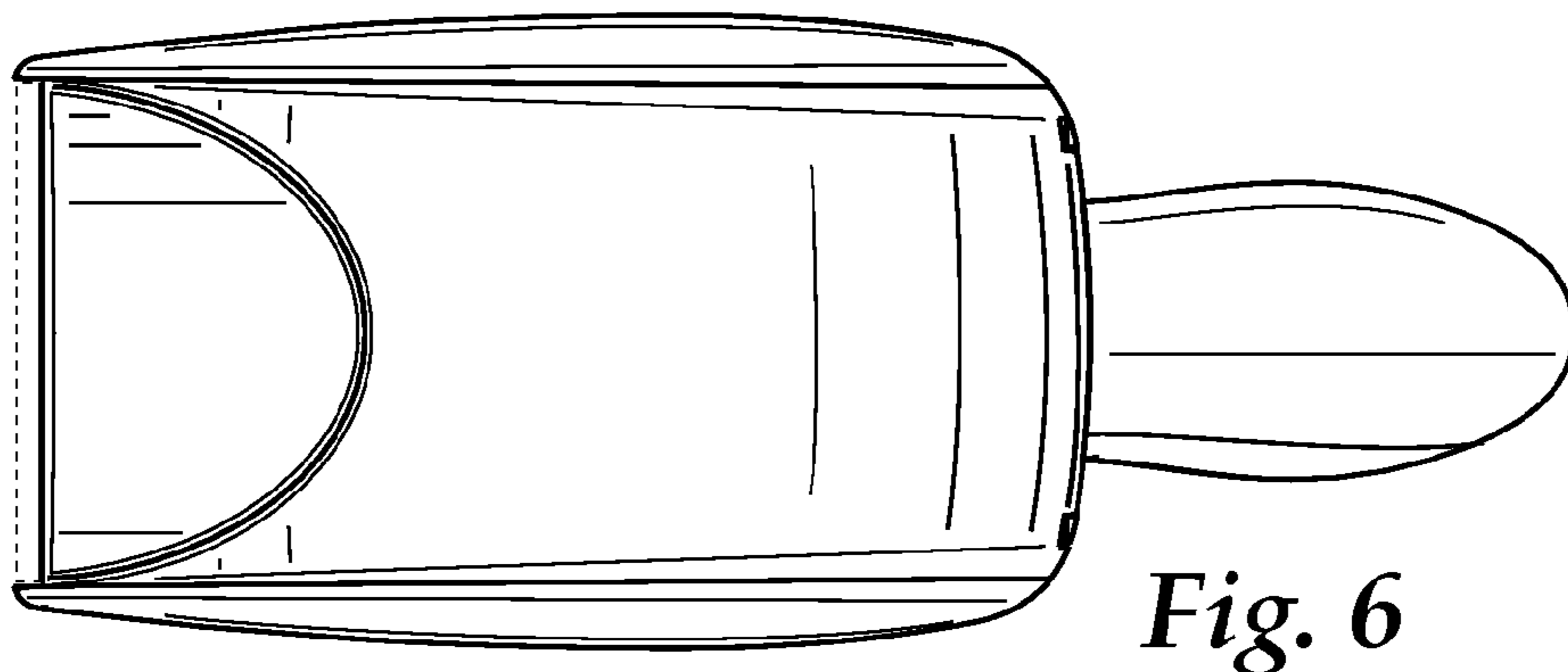
*Fig. 3*



*Fig. 4*



*Fig. 5*



*Fig. 6*