



US00D569911S

(12) **United States Design Patent**
Kusaba

(10) **Patent No.:** **US D569,911 S**

(45) **Date of Patent:** **** May 27, 2008**

(54) **CAP FOR WRITING INSTRUMENT**

(75) Inventor: **Shun Kusaba**, Tokyo (JP)

(73) Assignee: **Zebra Co., Ltd.**, Tokyo (JP)

(**) Term: **14 Years**

(21) Appl. No.: **29/268,536**

(22) Filed: **Nov. 8, 2006**

(30) **Foreign Application Priority Data**

Jun. 15, 2006 (JP) 2006-015503

(51) **LOC (8) Cl.** **19-06**

(52) **U.S. Cl.** **D19/57**

(58) **Field of Classification Search** D19/35,
D19/36, 41-51, 53-57; 24/11 R, 11 F, 11 P;
401/52, 99, 100, 104, 105, 106, 107, 108,
401/109, 192, 195, 196

See application file for complete search history.

(56) **References Cited**

U.S. PATENT DOCUMENTS

- D305,551 S * 1/1990 Oka D19/57
- D351,417 S * 10/1994 Oka D19/57
- D357,699 S * 4/1995 Takanashi D19/48
- D363,308 S * 10/1995 Sekine D19/48
- D385,918 S * 11/1997 Katami D19/57
- D402,312 S * 12/1998 Chevalier et al. D19/57
- D446,245 S * 8/2001 Chuang D19/57
- D456,847 S * 5/2002 Candelora et al. D19/57
- D484,536 S * 12/2003 Takanashi D19/43
- D510,950 S * 10/2005 Eddington et al. D19/57

- D512,458 S * 12/2005 Shiina D19/49
- D523,083 S * 6/2006 Furlong et al. D19/57
- D525,302 S * 7/2006 Togawa D19/51
- D527,765 S * 9/2006 Togawa D19/51
- D532,454 S * 11/2006 Togawa et al. D19/51
- D533,591 S * 12/2006 Togawa D19/49
- D551,710 S * 9/2007 Tsuchida D19/51

* cited by examiner

Primary Examiner—Elizabeth A Albert

(74) *Attorney, Agent, or Firm*—Butzel Long

(57) **CLAIM**

I claim the ornamental design for the cap for writing instrument, as shown and described.

DESCRIPTION

FIG. 1 is a front elevational view of the cap for writing instrument showing my design, the back elevational view thereof being a mirror image of the front elevational view thereof;

FIG. 2 is a left side elevational view thereof;

FIG. 3 is a right side elevational view thereof;

FIG. 4 is a top view thereof;

FIG. 5 is a bottom view thereof;

FIG. 6 is a perspective view thereof; and,

FIG. 7 is a cross-sectional view thereof, taken along section lines 7—7 in FIG. 1.

The stippling shown on the cap of writing instrument represents a surface texture.

1 Claim, 7 Drawing Sheets

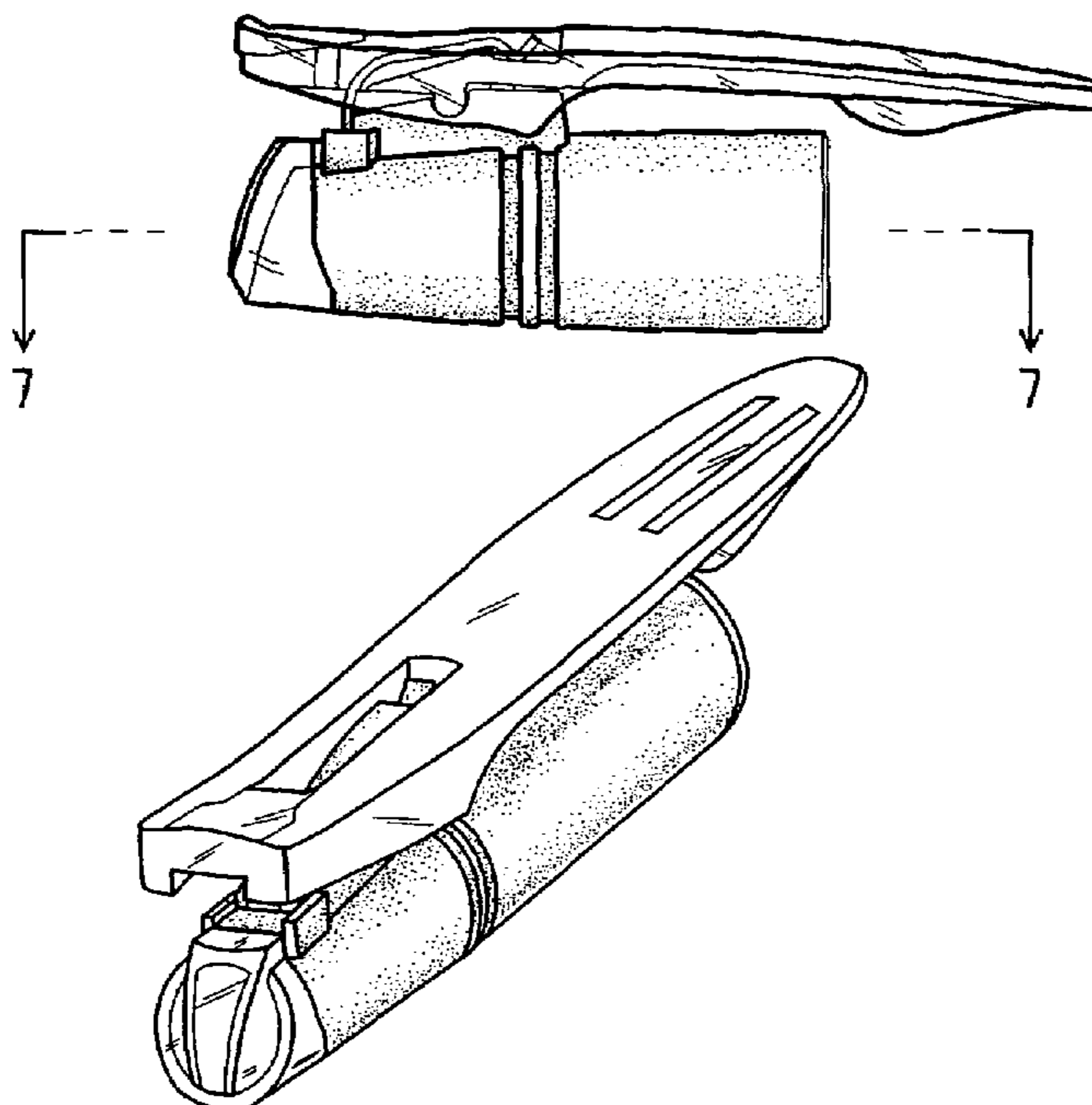


Fig. 1

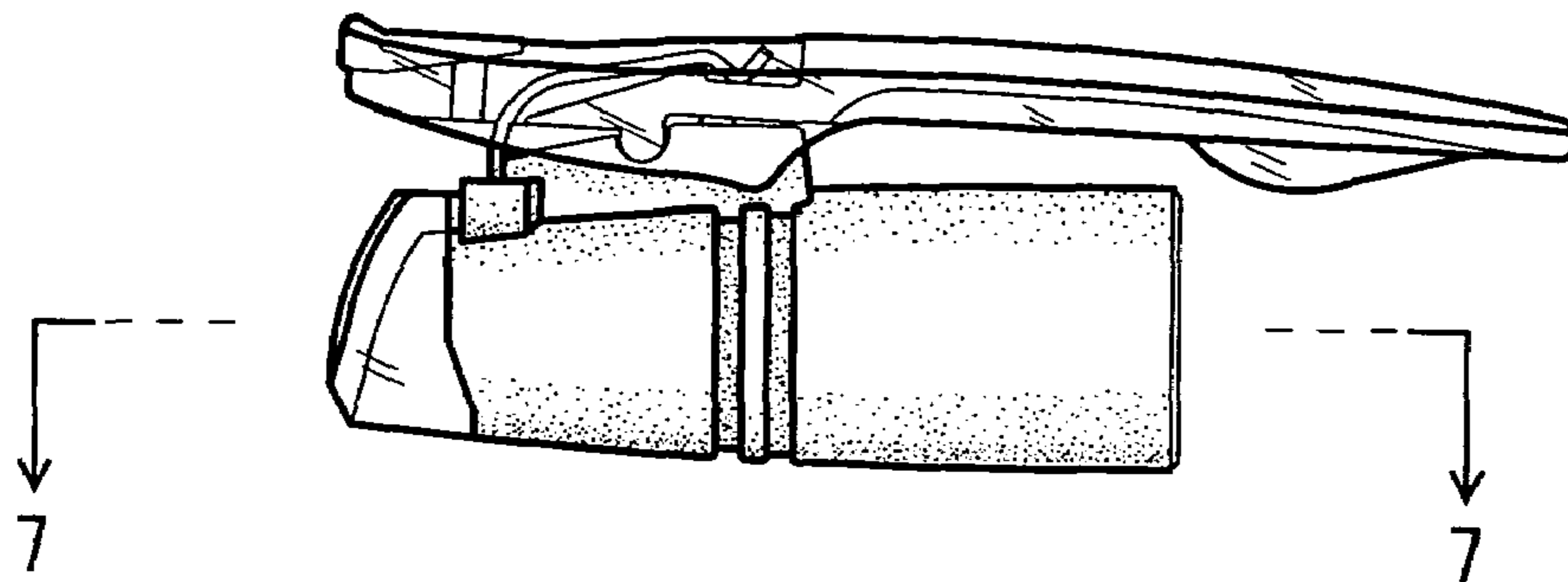


Fig. 2

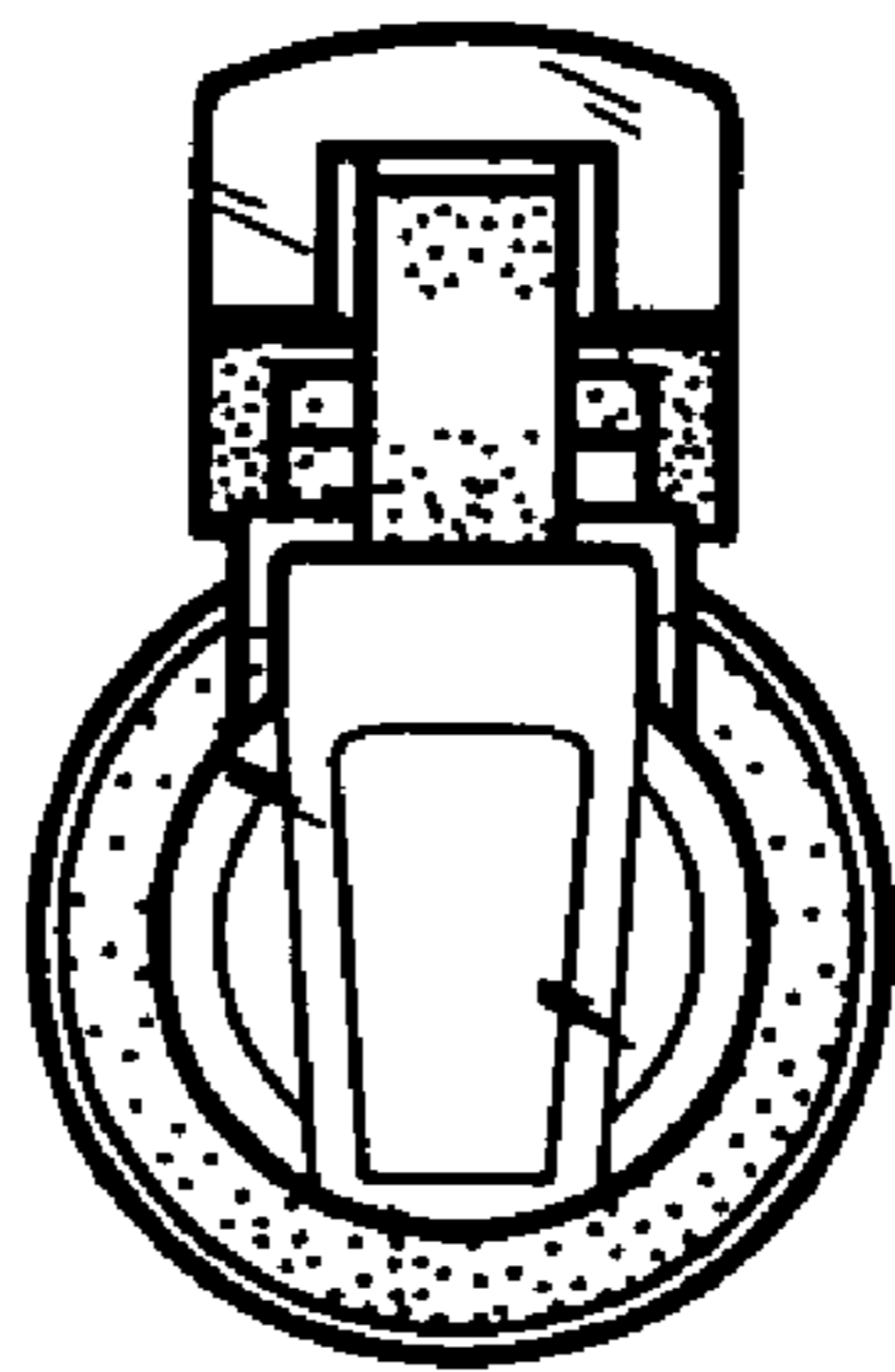


Fig. 3

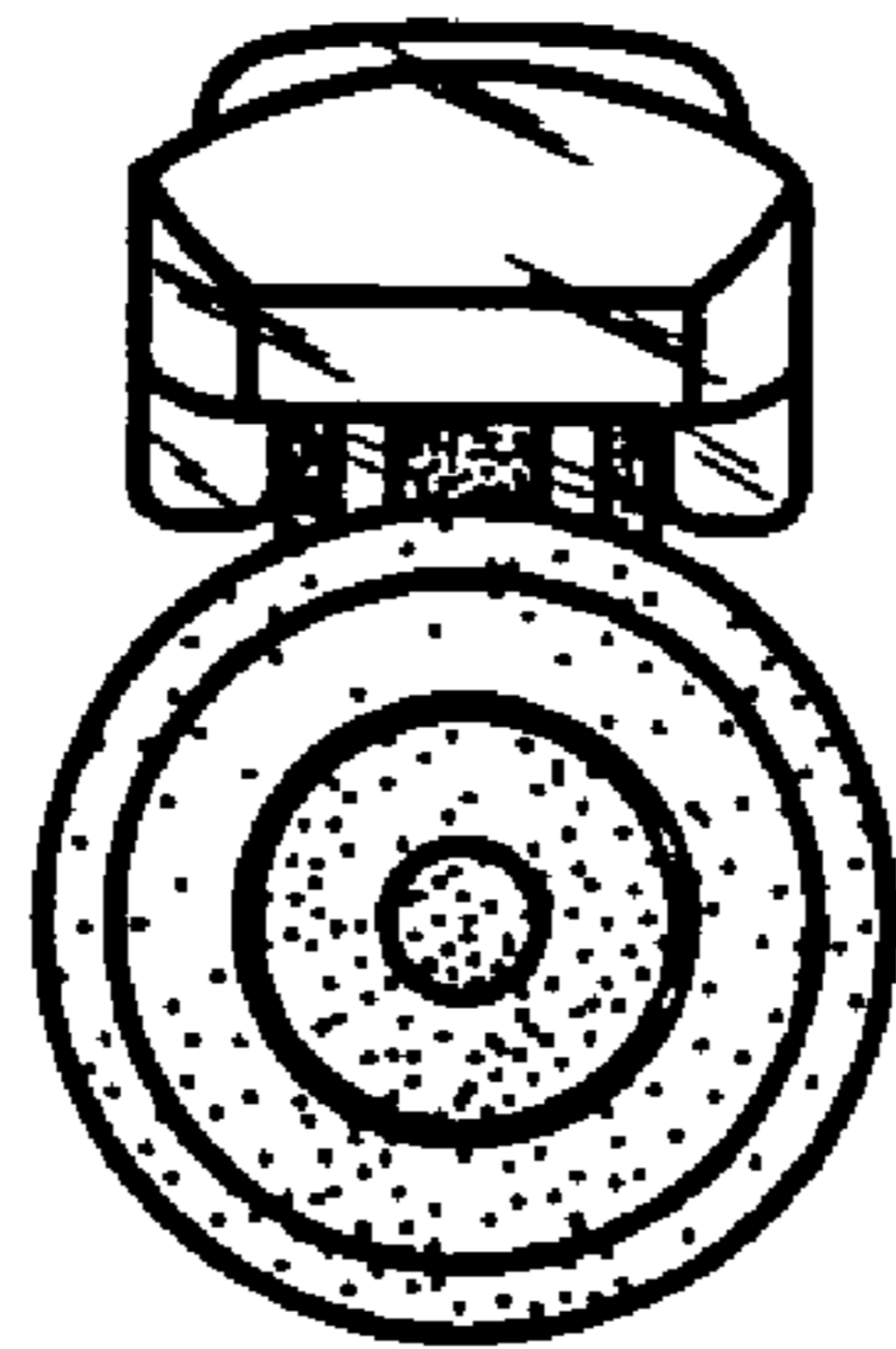


Fig. 4

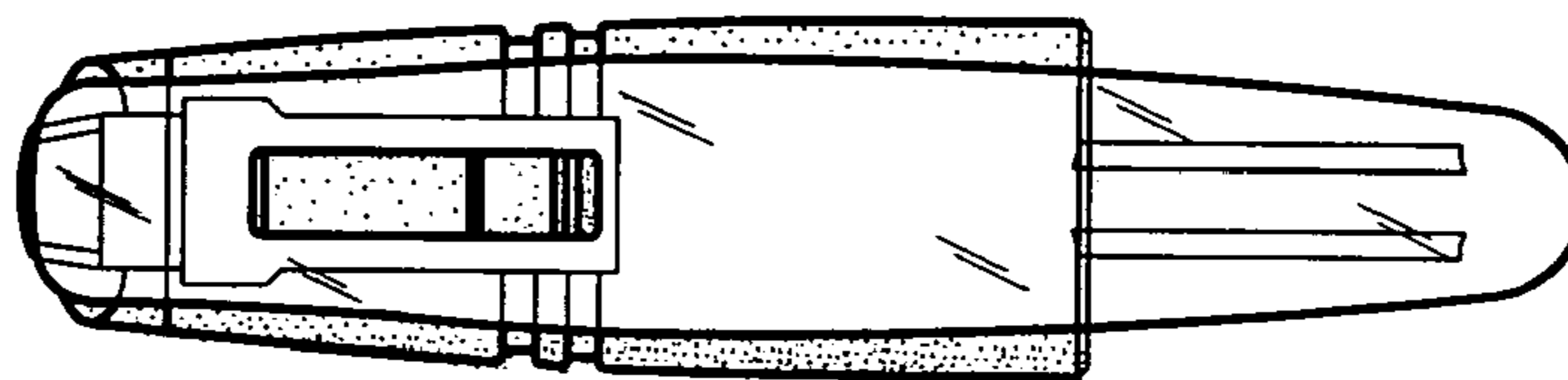
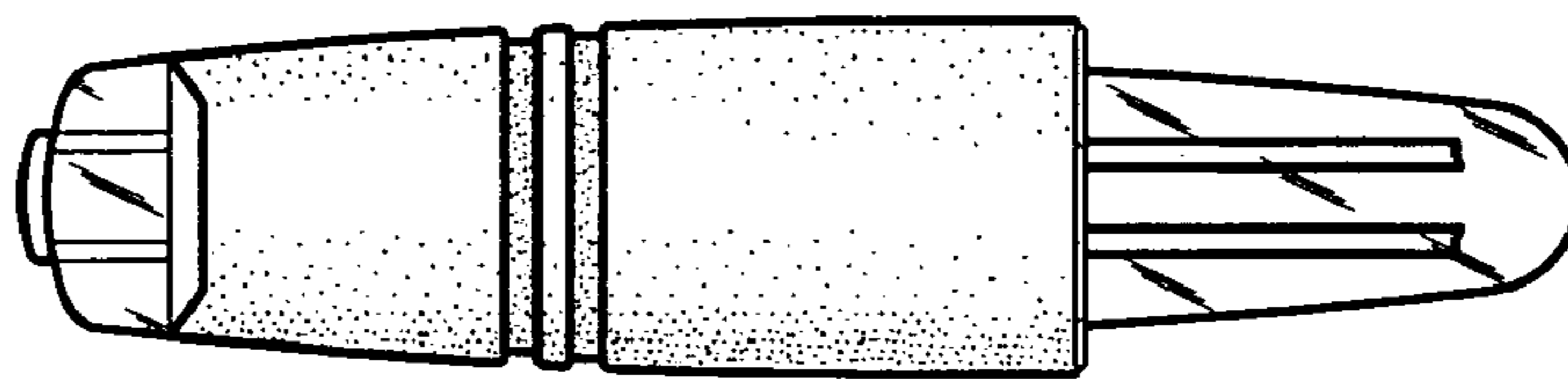


Fig. 5



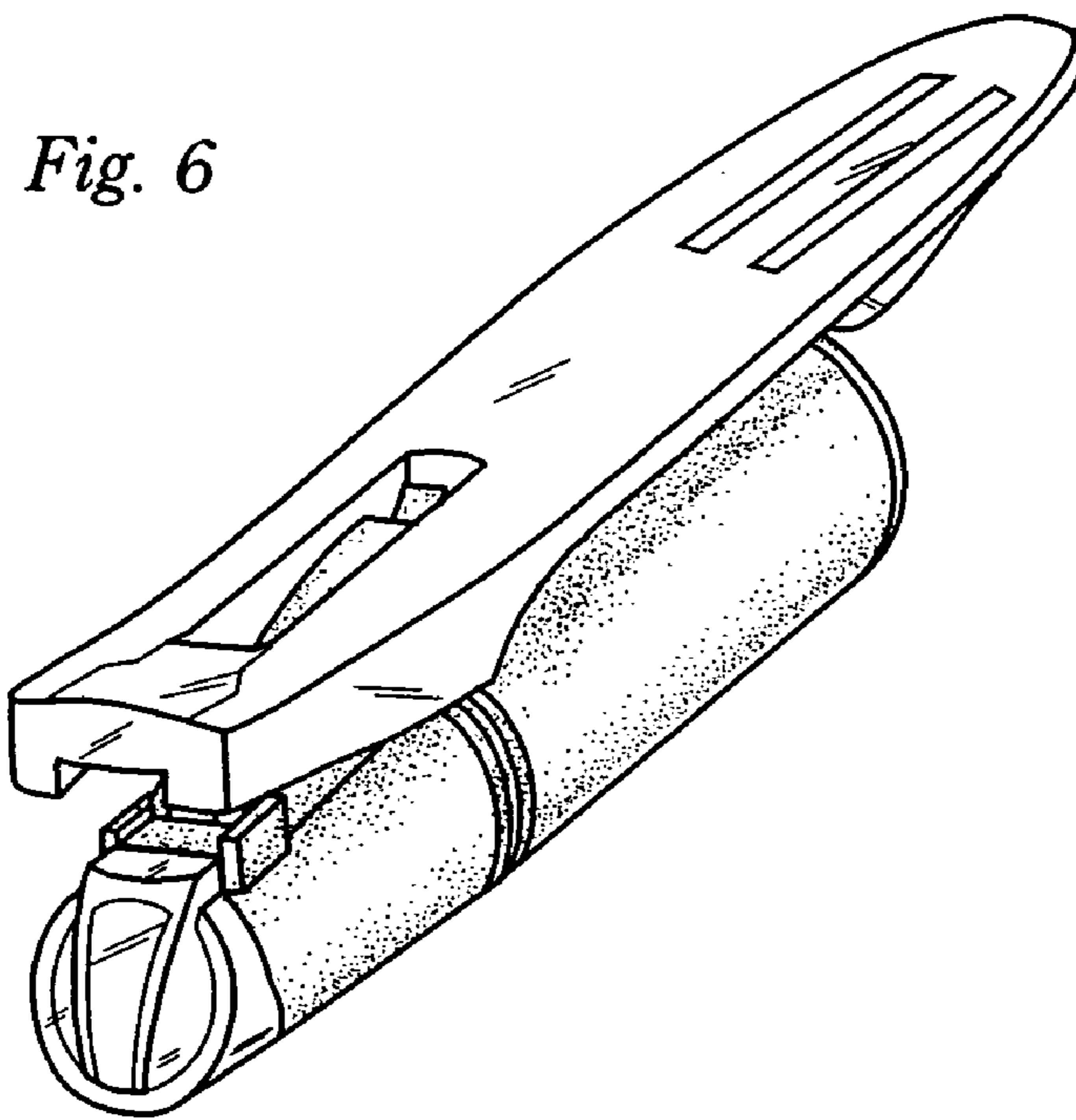


Fig. 7

