



US00D569910S

(12) **United States Design Patent**
Cetera

(10) **Patent No.:** **US D569,910 S**

(45) **Date of Patent:** **** May 27, 2008**

(54) **PEN CLIP**

(75) Inventor: **Carl Cetera**, Tenafly, NJ (US)

(73) Assignee: **Cotapaxi Custom Design and Manufacturing, LLC**, Carlstadt, NJ (US)

(**) Term: **14 Years**

(21) Appl. No.: **29/280,773**

(22) Filed: **Jun. 6, 2007**

Related U.S. Application Data

(62) Division of application No. 29/280,285, filed on May 23, 2007.

(51) **LOC (8) Cl.** **19-06**

(52) **U.S. Cl.** **D19/56**

(58) **Field of Classification Search** D19/35, D19/36, 41-51, 53-57; 24/11 R, 11 F, 11 P; 401/52, 99, 100, 104-109, 192, 195, 196
See application file for complete search history.

(56) **References Cited**

U.S. PATENT DOCUMENTS

D66,797 S *	3/1925	Hasselquist	D19/46
D69,556 S *	3/1926	Bartle	D19/58
D85,500 S *	11/1931	Van Dorn	D19/58
D121,336 S *	7/1940	Kahn	D19/56
D209,993 S *	1/1968	Horie	D19/43
D300,640 S *	4/1989	Coletta et al.	D19/51
D312,478 S *	11/1990	Lecce	D19/48
D313,042 S *	12/1990	Lecce	D19/48

D322,093 S *	12/1991	Eylers	D19/56
D345,577 S *	3/1994	Hohner	D19/48
D357,278 S *	4/1995	Turney	D19/56
D383,162 S *	9/1997	Worther	D19/49
D405,826 S *	2/1999	Worther	D19/49
D485,298 S *	1/2004	Hung	D19/43
D522,580 S *	6/2006	Shibata	D19/51
D536,733 S *	2/2007	Cetera	D19/51
D546,385 S *	7/2007	Bhavnani	D19/41

* cited by examiner

Primary Examiner—Elizabeth A Albert

(74) *Attorney, Agent, or Firm*—The Soni Law Firm

(57) **CLAIM**

The ornamental design for a pen clip, as shown and described.

DESCRIPTION

FIG. 1 is a front bottom side perspective view of the pen clip showing my new design;

FIG. 2 is a front elevational view thereof;

FIG. 3 is a right side elevational view thereof which is a mirror image of the left side thereof;

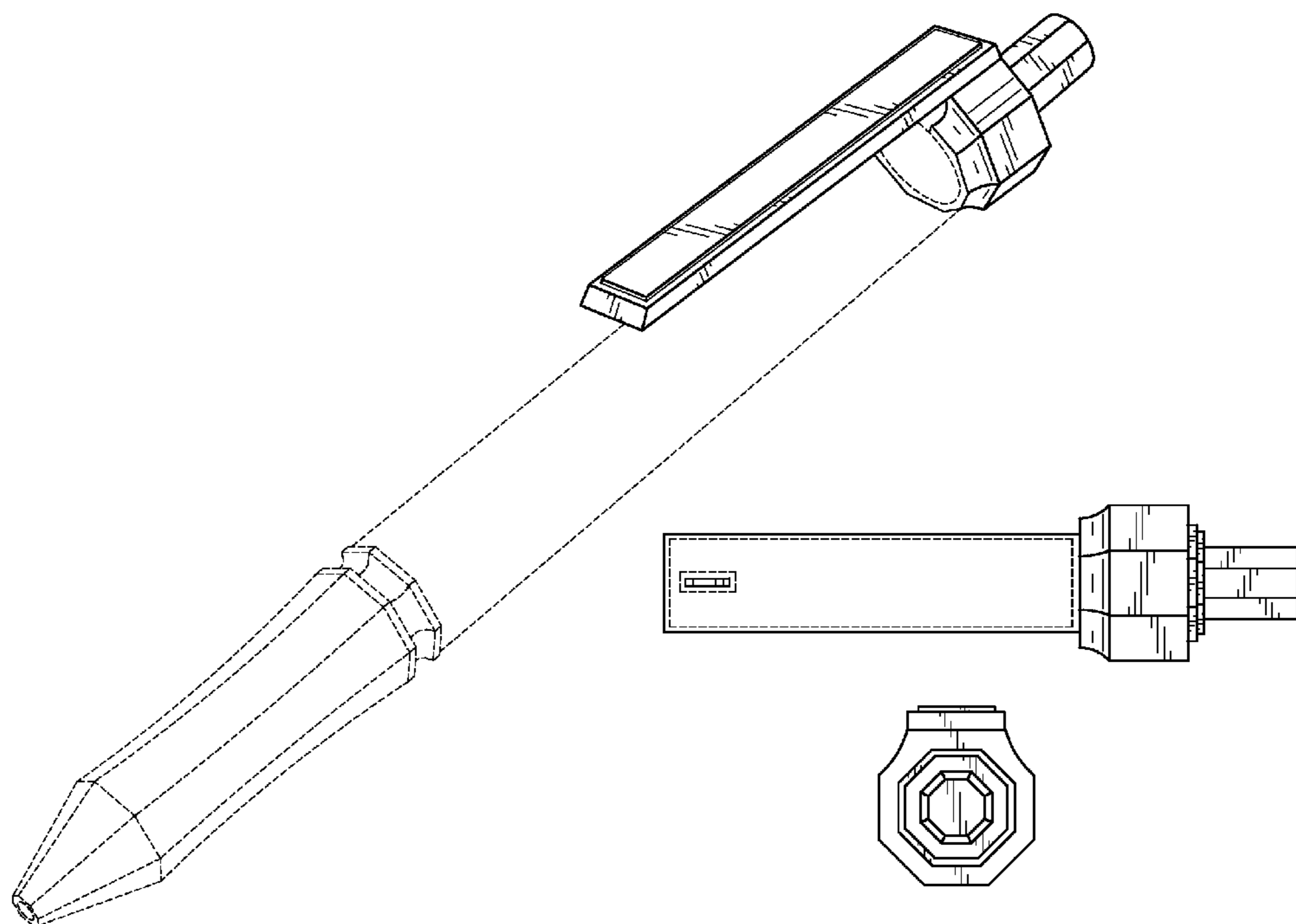
FIG. 4 is a bottom plan view thereof;

FIG. 5 is a top plan view thereof; and,

FIG. 6 is a back elevational view thereof.

The broken lines depicting environmental structure are for illustrative purposes only and form no part of the claimed design.

1 Claim, 2 Drawing Sheets



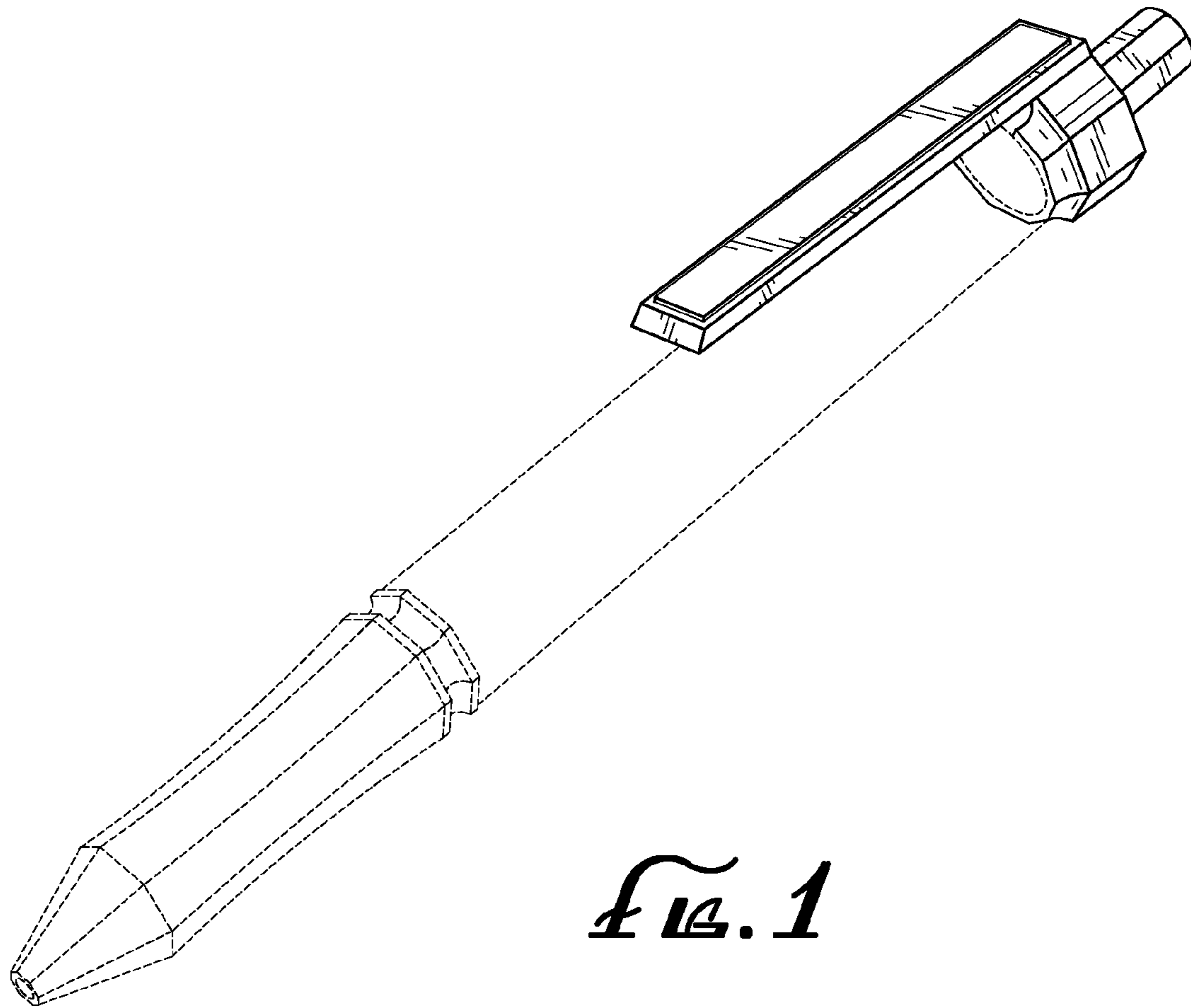


FIG. 1

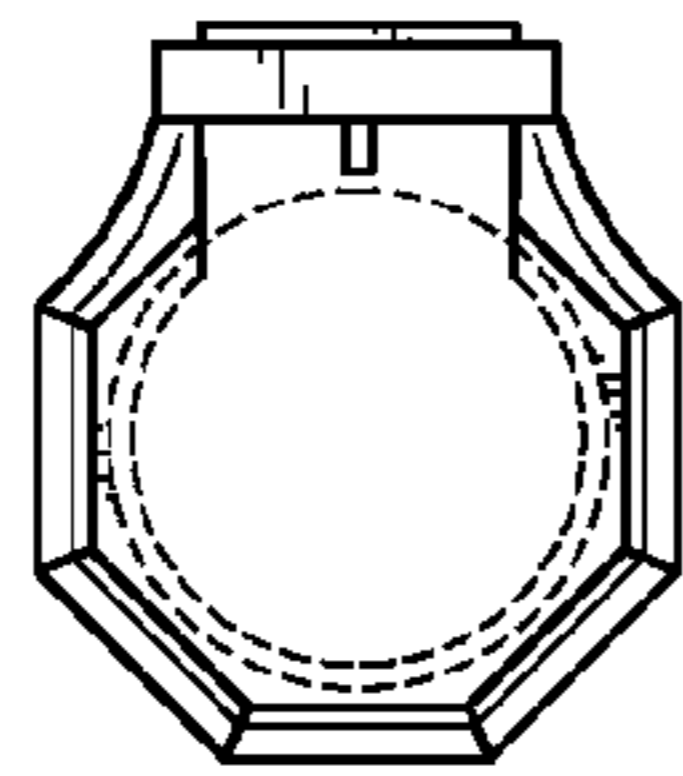


FIG. 4

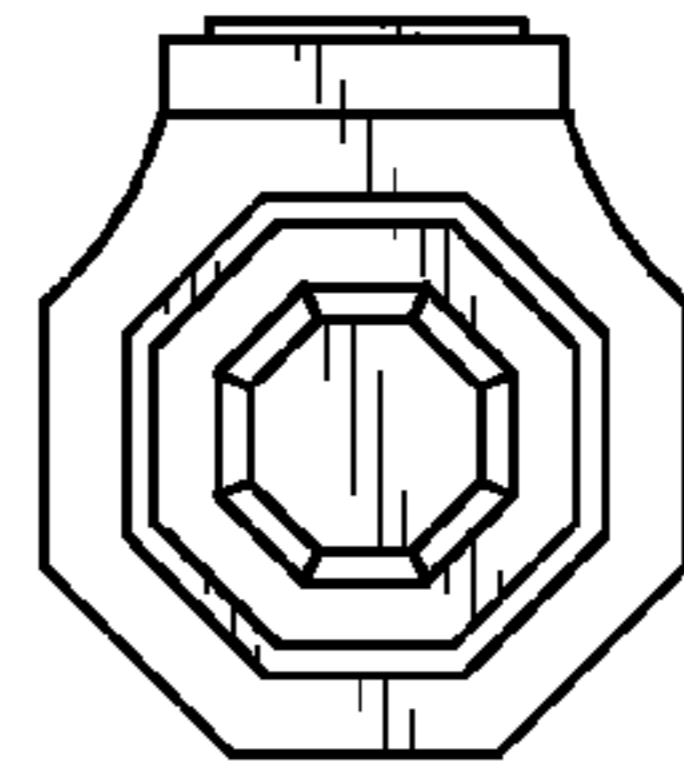


FIG. 5

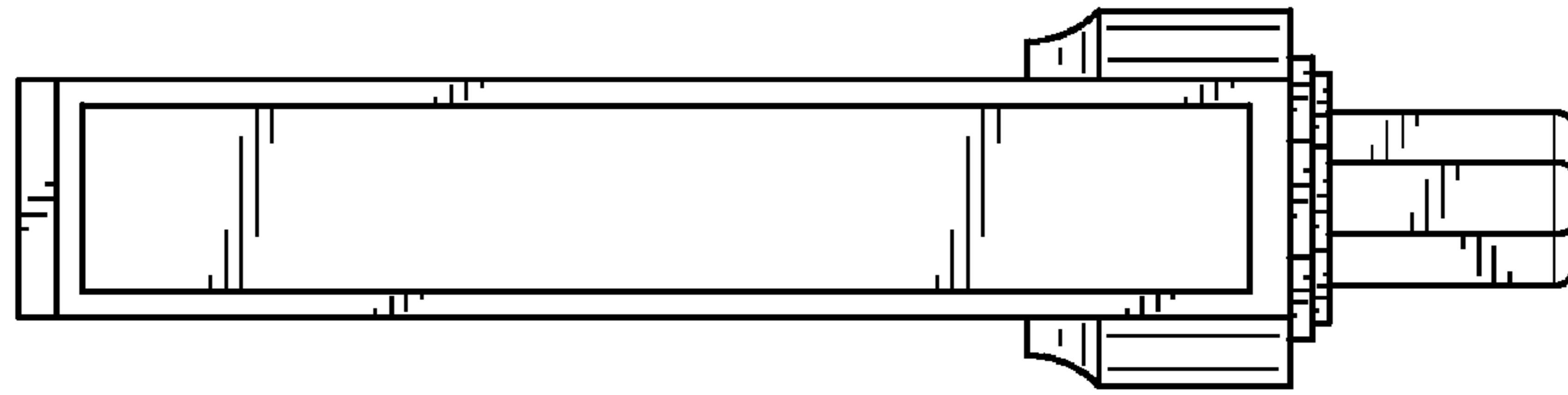


FIG. 2



FIG. 3

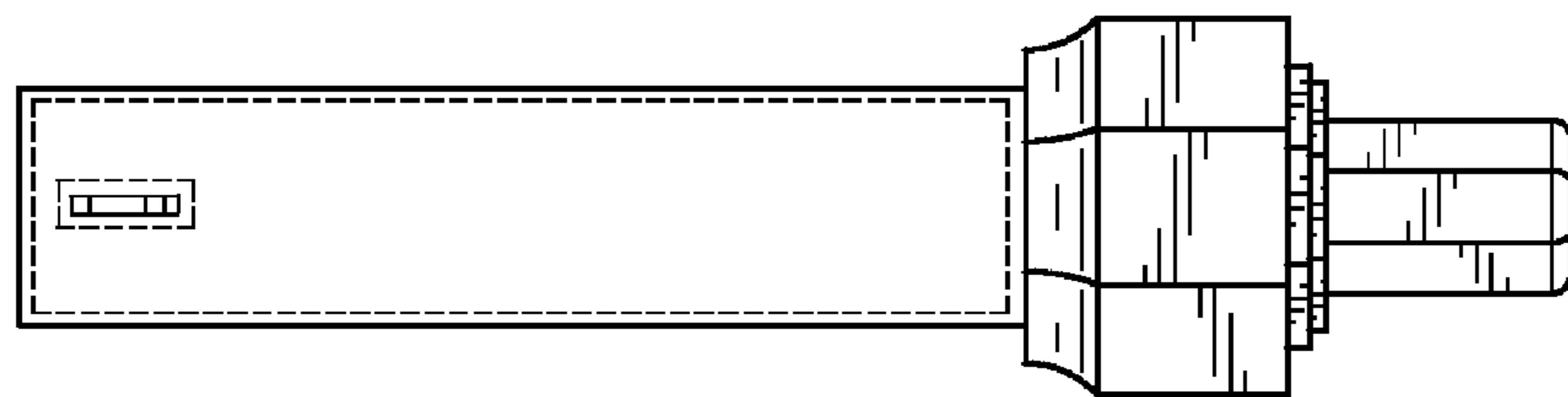


FIG. 4