



US00D569909S

(12) **United States Design Patent**
Shibata

(10) **Patent No.:** **US D569,909 S**

(45) **Date of Patent:** **** May 27, 2008**

(54) **MARKING PEN**

(75) **Inventor:** **Tomoaki Shibata**, Tokyo (JP)

(73) **Assignee:** **Pentel Kabushiki Kaksha** (JP)

(**) **Term:** **14 Years**

(21) **Appl. No.:** **29/267,566**

(22) **Filed:** **Oct. 17, 2006**

(30) **Foreign Application Priority Data**

Apr. 18, 2006 (JP) 2006-010027

(51) **LOC (8) Cl.** **19-06**

(52) **U.S. Cl.** **D19/51**

(58) **Field of Classification Search** D19/35,
D19/36, 41, 42, 43, 44, 45, 46, 47, 48, 49,
D19/50, 51, 53, 54, 55, 56, 57; 24/11 R,
24/11 F, 11 P; 401/334, 52, 99, 100, 104,
401/105, 106, 107, 108, 109, 192, 195, 196
See application file for complete search history.

(56) **References Cited**

U.S. PATENT DOCUMENTS

1,068,367	A *	7/1913	Roeder	235/64
1,806,849	A *	5/1931	Gelardi	33/485
2,108,911	A *	2/1938	Wetzel	401/40
D145,587	S *	9/1946	Reynolds	D19/48
D146,335	S *	2/1947	Colomy	D19/48
D238,358	S *	1/1976	Itoh	D19/41
4,608,733	A *	9/1986	Eylers	24/11 F
D316,109	S *	4/1991	Pappageorge	D19/48
D428,441	S *	7/2000	Isobe et al.	D19/53
D443,642	S *	6/2001	Tsuchikura	D19/36

D474,810	S *	5/2003	Morita	D19/51
D482,724	S *	11/2003	Nishida	D19/43
D508,528	S *	8/2005	Shimizu	D19/48
D522,580	S *	6/2006	Shibata	D19/51
7,070,638	B2 *	7/2006	Jeanfreau	55/385.1
D540,384	S *	4/2007	Qiu	D19/43
D541,340	S *	4/2007	Qiu	D19/43
D546,882	S *	7/2007	Qiu	D19/50
2005/0084320	A1 *	4/2005	Carroll	401/108

* cited by examiner

Primary Examiner—Elizabeth A. Albert

Assistant Examiner—Karen E Eldridge Powers

(74) *Attorney, Agent, or Firm*—Adams & Wilks

(57) **CLAIM**

The ornamental design for a marking pen, as shown and described.

DESCRIPTION

FIG. 1 is a perspective view of a marking pen showing my new design;

FIG. 2 is a front elevation view thereof;

FIG. 3 is a bottom plan view thereof;

FIG. 4 is a rear elevation view thereof;

FIG. 5 is a left side elevation view thereof;

FIG. 6 is a right side elevation view thereof;

FIG. 7 is a front elevation view of FIG. 1, with the tip of the marking pen extended; and,

FIG. 8 is a bottom plan view of FIG. 3, with the tip of the marking pen extended.

1 Claim, 2 Drawing Sheets

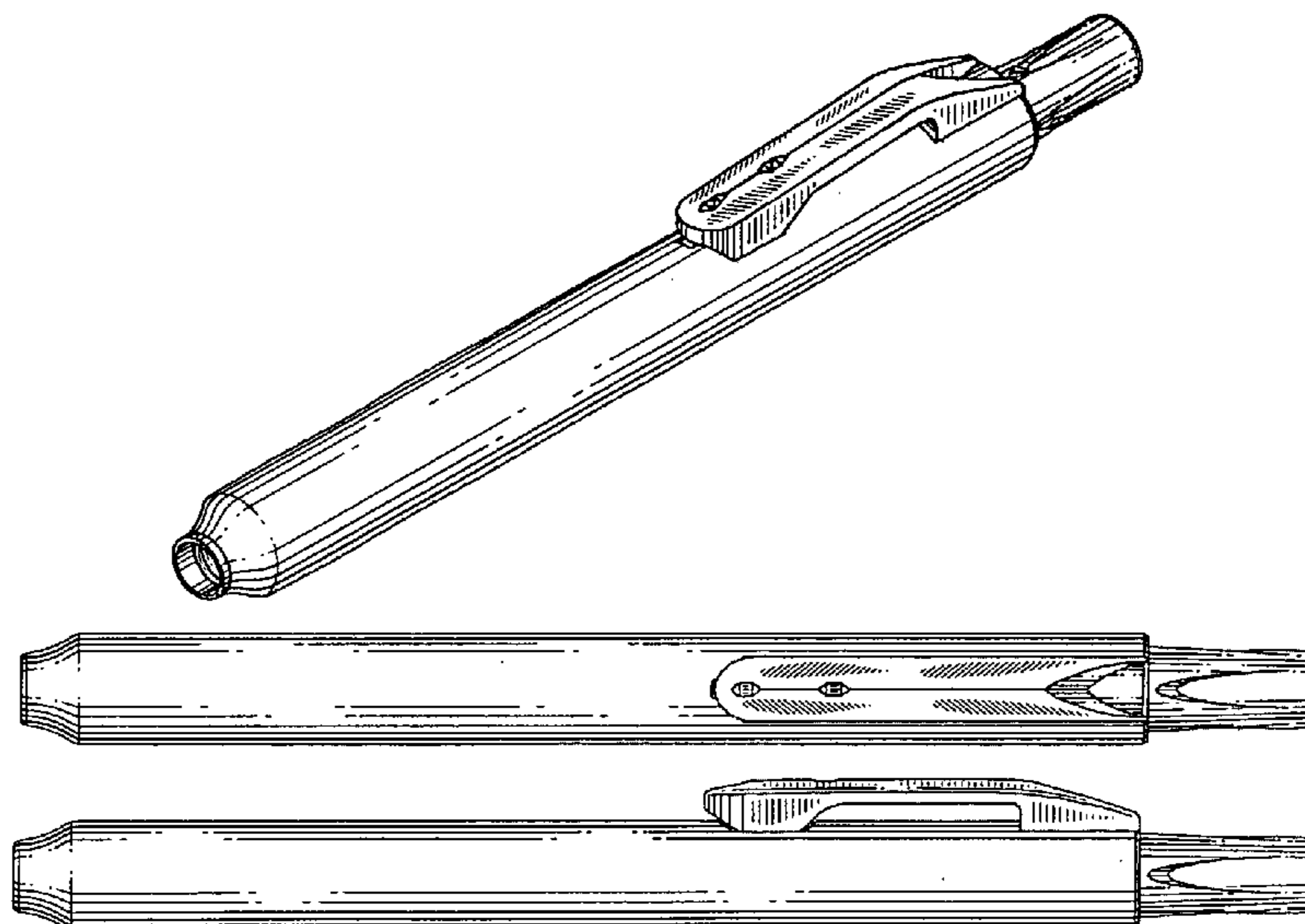


FIG. 1

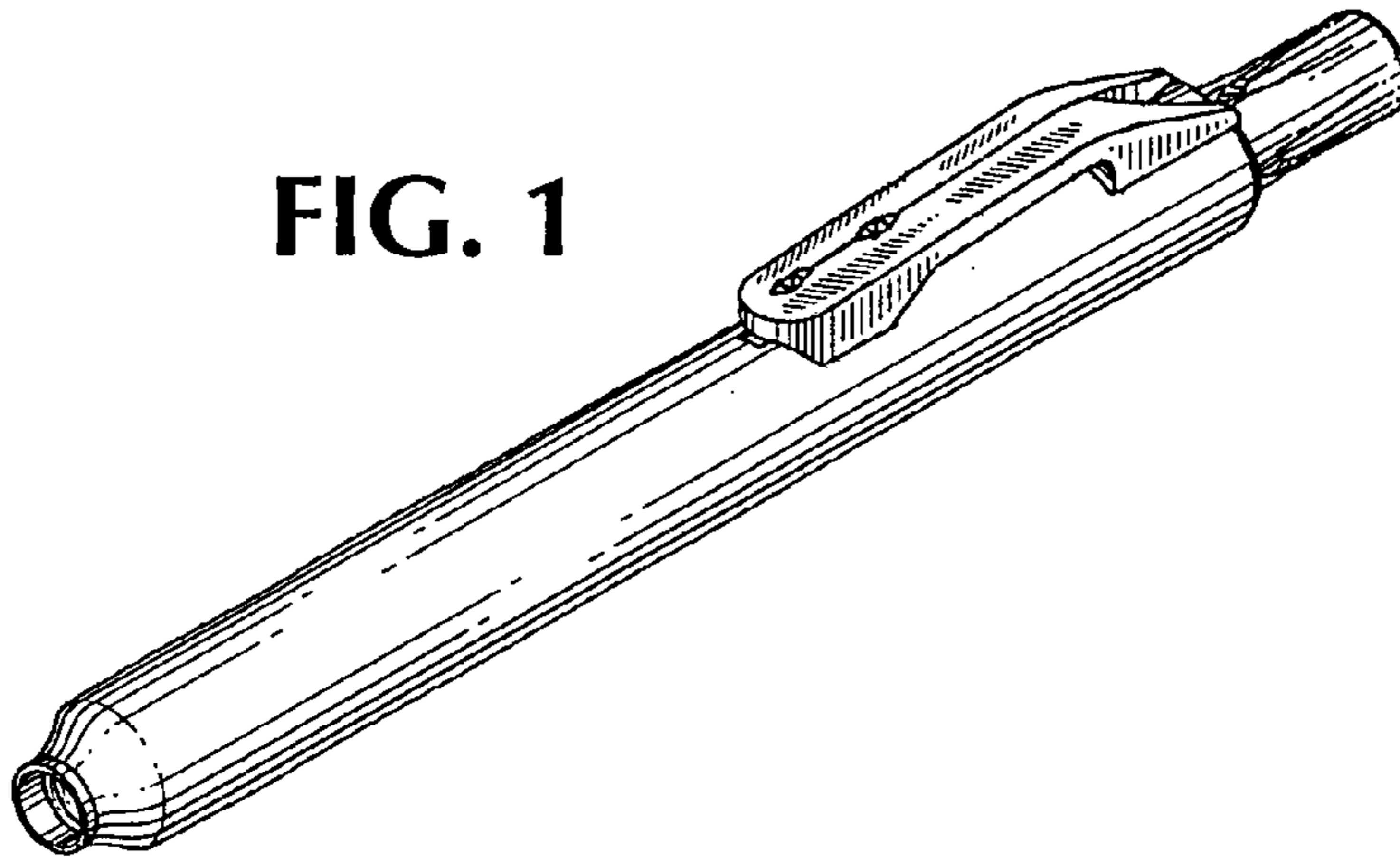


FIG. 2

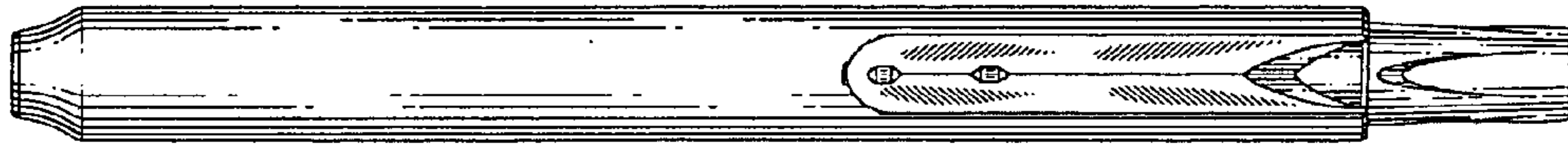


FIG. 3

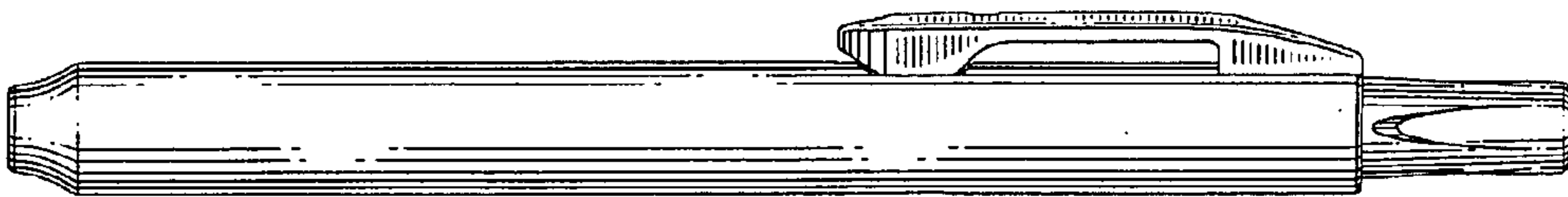


FIG. 4

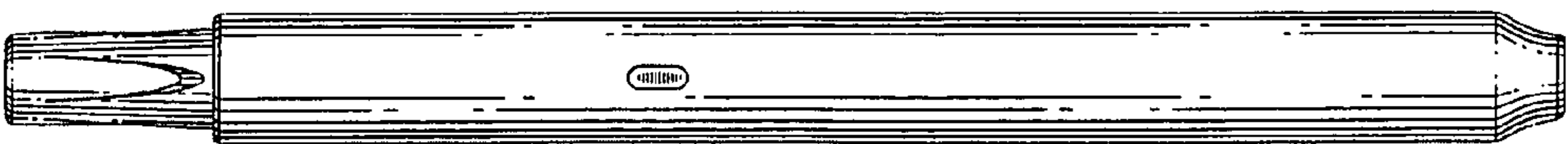


FIG. 5

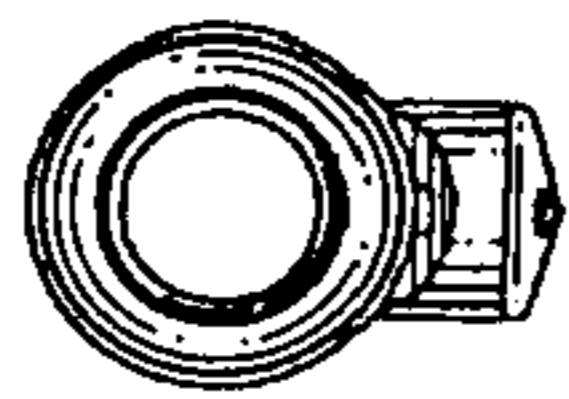


FIG. 6

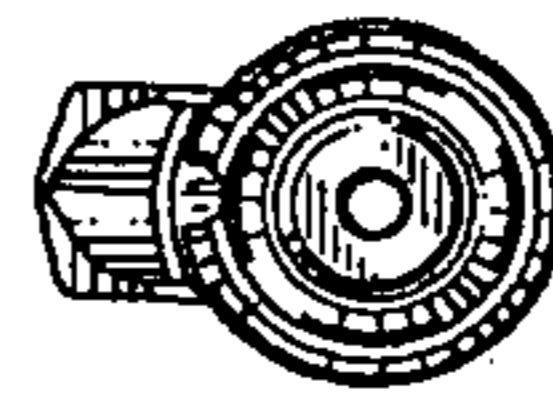


FIG. 7

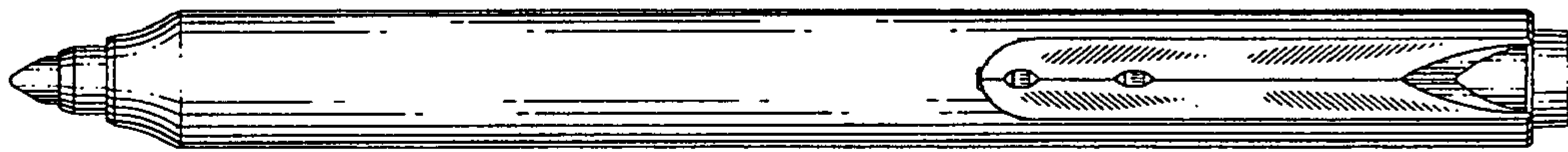


FIG. 8

