

US00D569903S

(12) **United States Design Patent**
Bharma

(10) **Patent No.:** **US D569,903 S**

(45) **Date of Patent:** **** May 27, 2008**

(54) **COVER FOR A BOOK OR SIMILAR ARTICLE**

(75) Inventor: **Supriti Bharma**, Vancouver (CA)

(73) Assignee: **Hartley & Marks Publishers, Inc.**,
Vancouver (CA)

(**) Term: **14 Years**

(21) Appl. No.: **29/264,146**

(22) Filed: **Aug. 2, 2006**

(51) **LOC (8) Cl.** **19-04**

(52) **U.S. Cl.** **D19/26**

(58) **Field of Classification Search** D19/26-27,
D19/31-34, 86; 281/21.1, 36-37, 29; 402/73,
402/79, 500

See application file for complete search history.

(56) **References Cited**

U.S. PATENT DOCUMENTS

201,450 A	3/1878	Reynolds	
D11,686 S	3/1880	Bainbaridge	D19/3
467,821 A	1/1892	Mets	
673,387 A	5/1901	Dean	402/68
941,525 A	11/1909	Landenberger	229/75
1,023,834 A	4/1912	Gareis	281/31
1,322,796 A *	11/1919	Kissel	116/238
1,819,937 A *	8/1931	Williams	402/14

(Continued)

OTHER PUBLICATIONS

International Designs Bulletin, Feb. 28, 1997. pp. 6995-6998.

Primary Examiner—Elizabeth A. Albert

Assistant Examiner—Kelley A Donnelly

(74) *Attorney, Agent, or Firm*—Wells St. John, P.S.

(57) **CLAIM**

I claim the ornamental design for a cover for a book or similar article, as shown and described.

DESCRIPTION

FIG. 1 is a perspective view for a cover for a book or similar article showing the first embodiment of my new design; and including a binder strap and a bookmark;

FIG. 2 is a front side elevational view thereof;

FIG. 3 is a rear side elevational view thereof;

FIG. 4 a left side elevational view thereof;

FIG. 5 is a right side elevational view thereof;

FIG. 6 is a top plan view thereof;

FIG. 7 is a bottom plan view thereof;

FIG. 8 is a perspective view of the cover for a book or similar article illustrating it in an open position thereof;

FIG. 9 is an elevational view of a cover for a book or similar article illustrating it in another open position thereof;

FIG. 10 is a perspective view for a cover for a book or similar article showing a second embodiment of my new design; and including a binder strap;

FIG. 11 is a front side elevational view thereof;

FIG. 12 is a rear side elevational view thereof;

FIG. 13 a left side elevational view thereof;

FIG. 14 is a right side elevational view thereof;

FIG. 15 is a top plan view thereof;

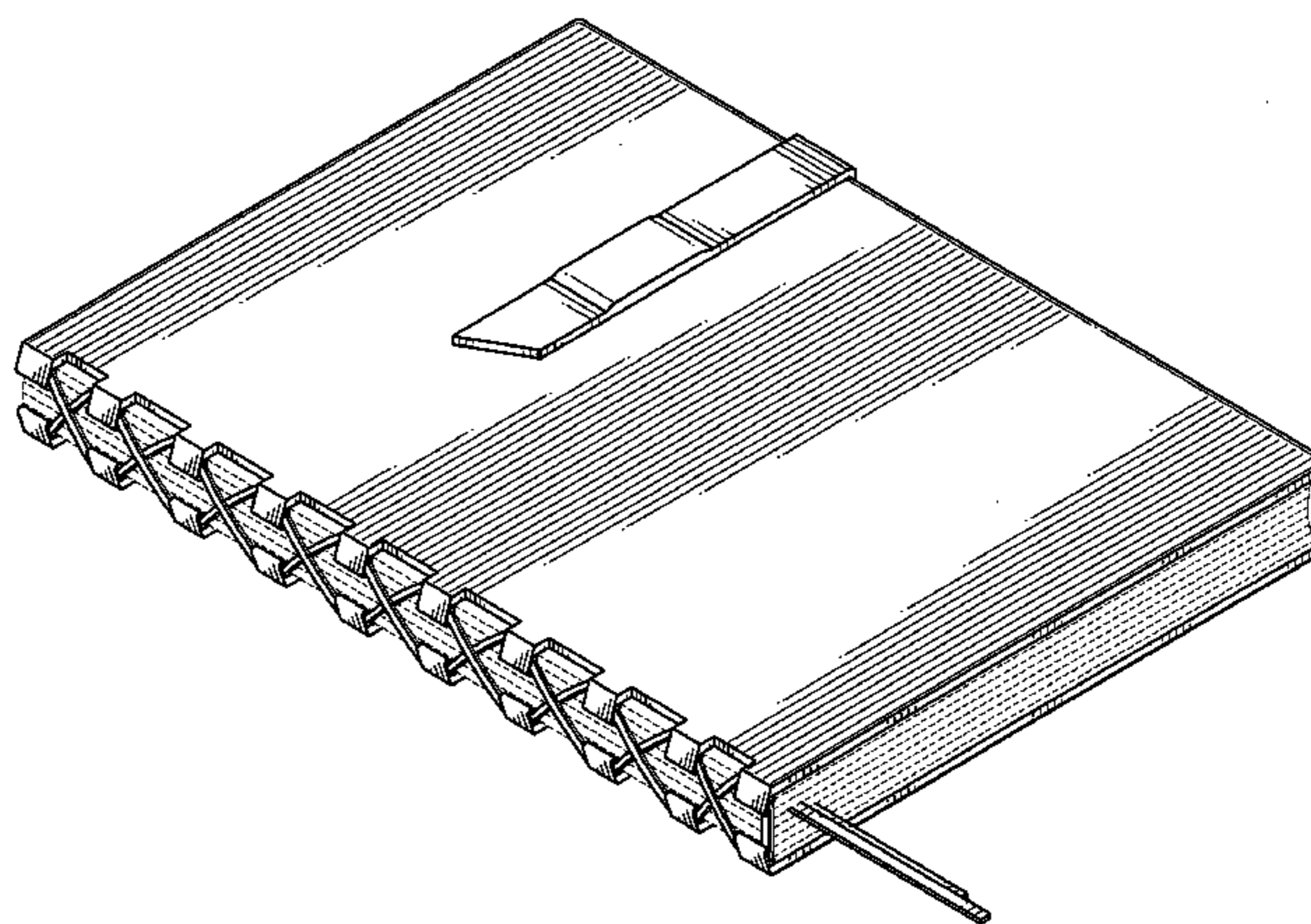
FIG. 16 is a bottom plan view thereof;

FIG. 17 is a perspective view of the cover for a book or similar article illustrating it in an open position thereof; and,

FIG. 18 is an elevational view of a cover for a book or similar article illustrating it in another open position thereof.

Broken lines in the drawings are for environmental purposes only and form no part of the claimed design.

1 Claim, 14 Drawing Sheets

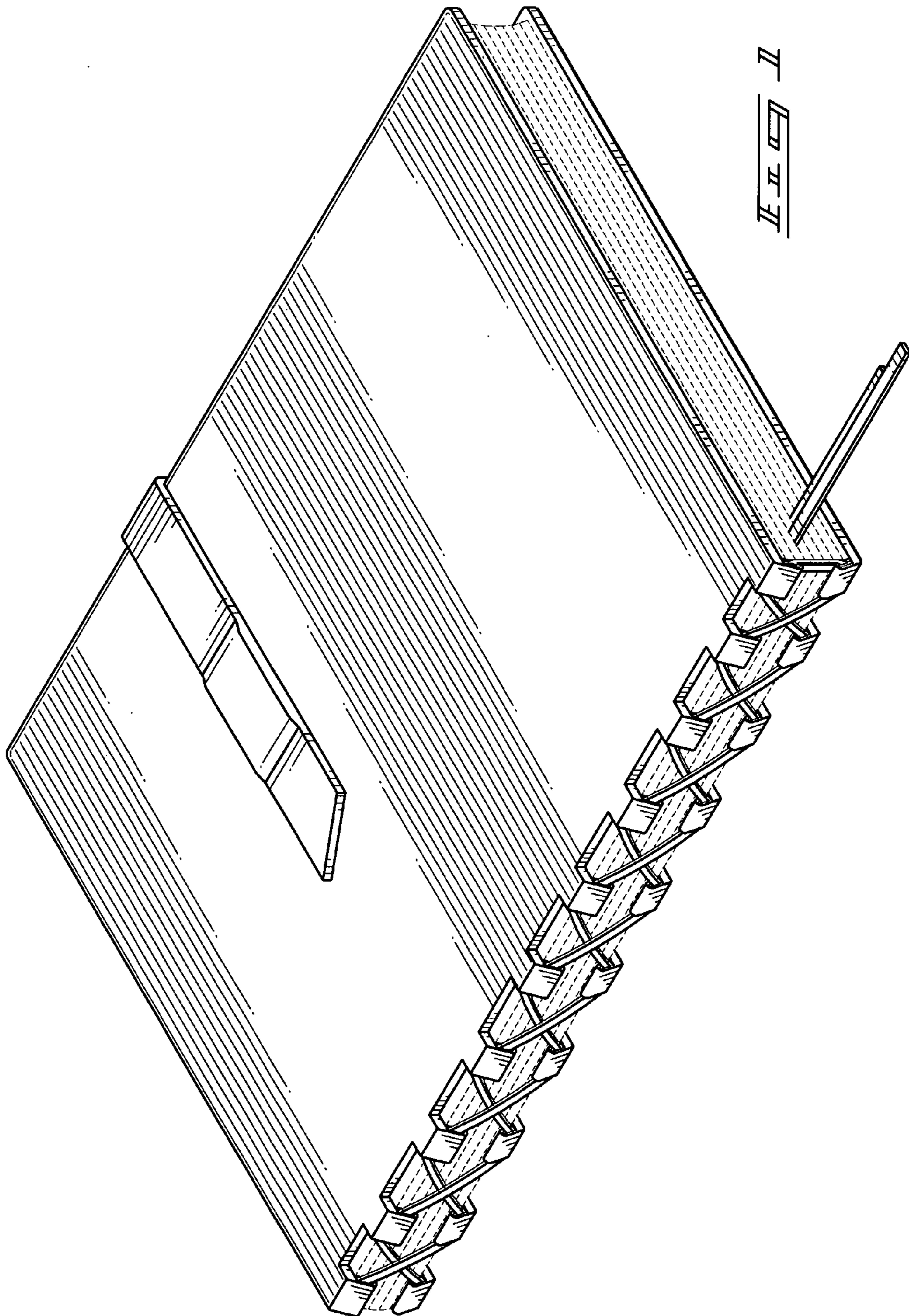


US D569,903 S

U.S. PATENT DOCUMENTS

D118,491 S	1/1940	Bach	D3/249	6,045,285 A *	4/2000	Friedman	402/19
2,287,149 A	6/1942	Rudolf		6,056,192 A	5/2000	Cameron	229/75
D135,980 S	7/1943	Bach	D3/249	D426,262 S	6/2000	Humphrey	
D135,981 S	7/1943	Bach	D3/249	D436,533 S	1/2001	Correll	
2,533,590 A	12/1950	Kutik, Jr.		6,179,332 B1	1/2001	Funkhouser	
D182,059 S	2/1958	Chase	D3/233	D437,612 S *	2/2001	Verdicchio	D19/26
D187,321 S	2/1960	Mayer	D3/247	6,220,436 B1	4/2001	Chung	
2,964,227 A	12/1960	Goldsholl		D447,689 S	9/2001	Navet et al.	
3,010,571 A	11/1961	Transport		D449,927 S	11/2001	Dorizas	
D250,171 S	11/1978	Yoshimoto		D455,781 S	4/2002	Jobelius et al.	
4,484,768 A	11/1984	Norfleet		6,419,416 B1	7/2002	Tomoda	
4,749,121 A	6/1988	Barber et al.		D463,487 S *	9/2002	Savoy	D19/27
D300,688 S	4/1989	Marks	D3/265	D465,331 S *	11/2002	Shapiro	D3/303
D302,698 S	8/1989	Rexroat et al.	D19/26	D467,966 S	12/2002	Lepisto	
D304,343 S	10/1989	Popat et al.		D474,966 S	5/2003	Schrem et al.	D9/433
D308,225 S	5/1990	Dressler		D477,634 S	7/2003	Malone	
4,940,352 A	7/1990	Kratzert et al.	402/13	D481,074 S	10/2003	Shapiro et al.	D19/90
D316,108 S	4/1991	Gerriet		D489,255 S	5/2004	Kratzert et al.	D9/433
D323,937 S	2/1992	Solomon	D3/299	D499,761 S	12/2004	Walley et al.	D19/26
D358,839 S	5/1995	Lipic		D502,502 S	3/2005	Brann	
5,413,430 A	5/1995	Schrem et al.	402/60	D503,195 S	3/2005	de la Rosa Luna Para	
D369,182 S *	4/1996	Walli, Jr.	D19/26	D513,038 S	12/2005	Ong	
D370,691 S	6/1996	Benn	D19/65	D520,057 S	5/2006	Hamel	
5,529,418 A	6/1996	Alotta		D523,078 S	6/2006	Ong	
5,553,959 A *	9/1996	Feldman et al.	402/79	7,100,765 B2 *	9/2006	Collins, IV	206/308.1
5,667,064 A	9/1997	Bauman		D534,584 S *	1/2007	Goldberg et al.	D19/34
D385,295 S	10/1997	Osiecki et al.		7,232,157 B2 *	6/2007	Amaral	281/38
D394,385 S	5/1998	Laughlin		D547,372 S *	7/2007	Bharma	D19/26
5,944,353 A	8/1999	Sato		2003/0071454 A1	4/2003	Muchin et al.	
D413,725 S	9/1999	Hartmann et al.		2004/0035720 A1	2/2004	Hsieh	
D423,572 S	4/2000	Tedaldi et al.		2005/0042021 A1	2/2005	McArthur	

* cited by examiner



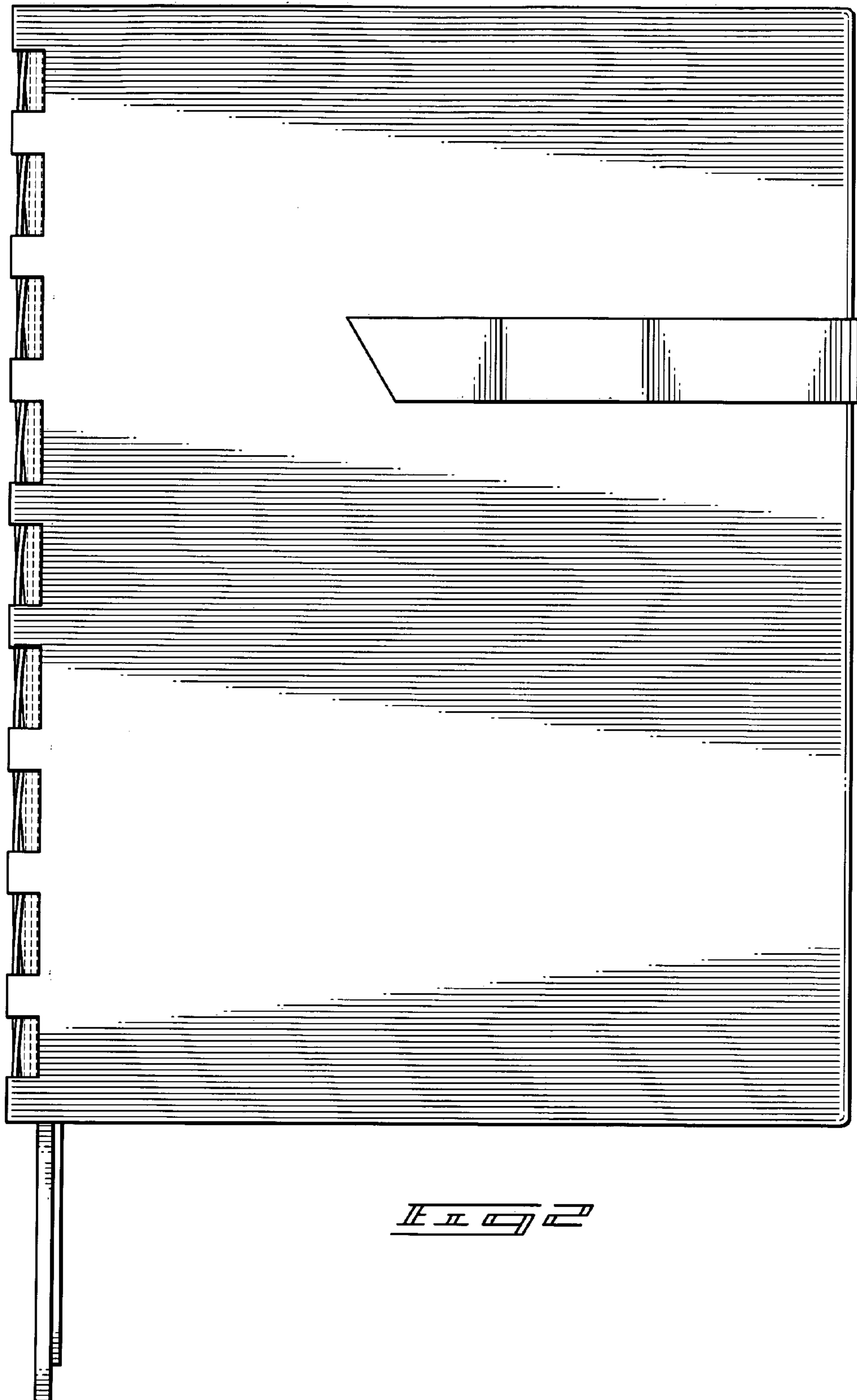


Fig. 2

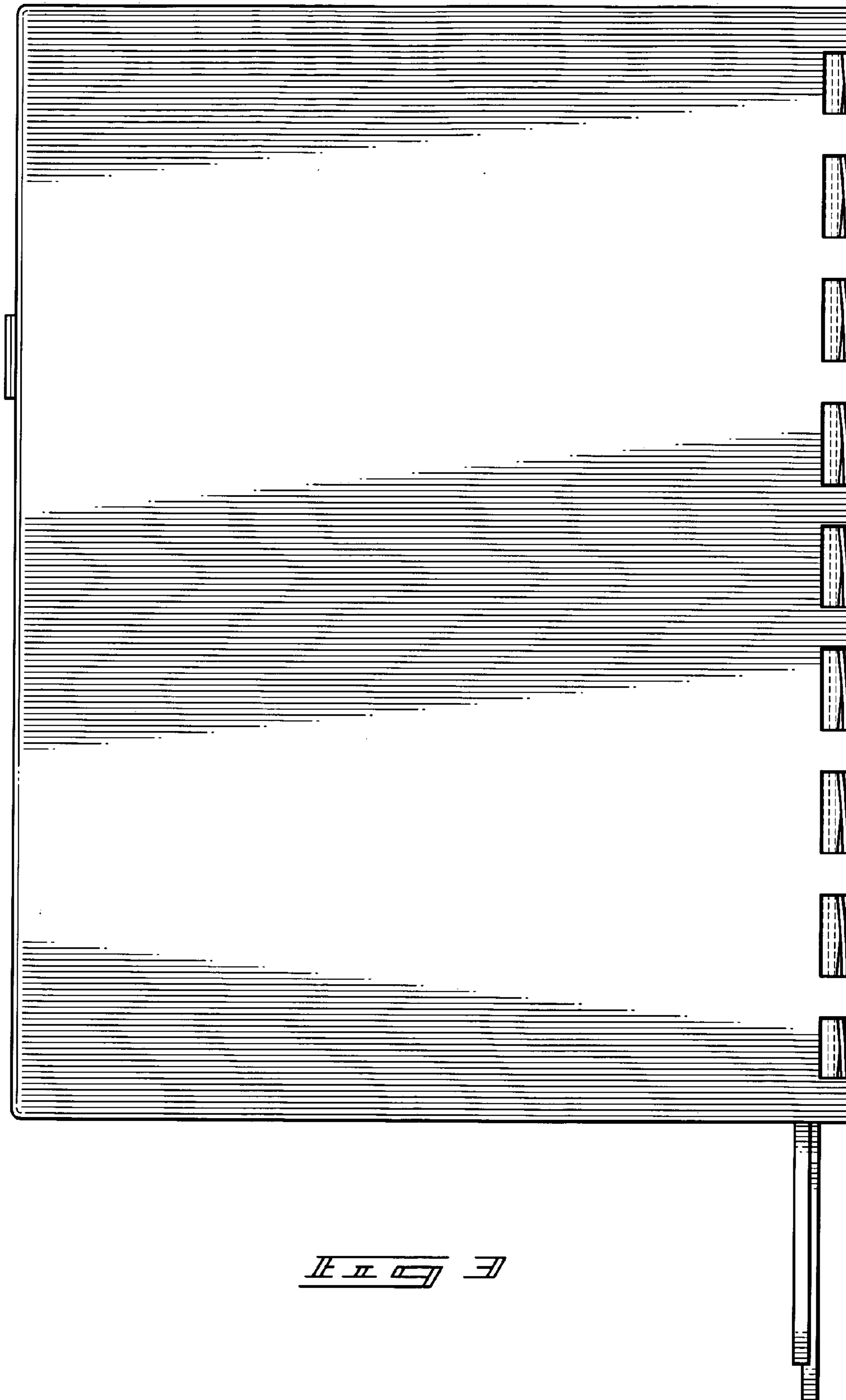


Fig. 3

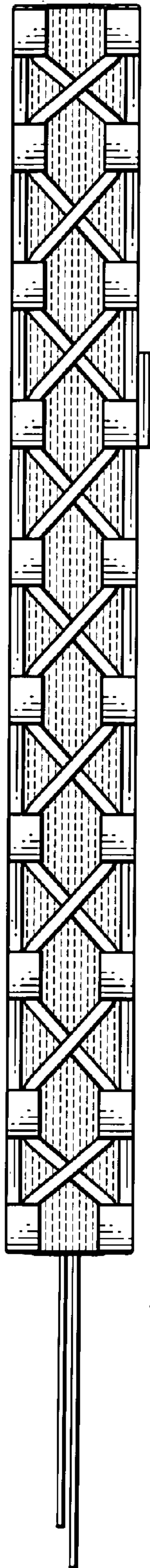


FIG. 4

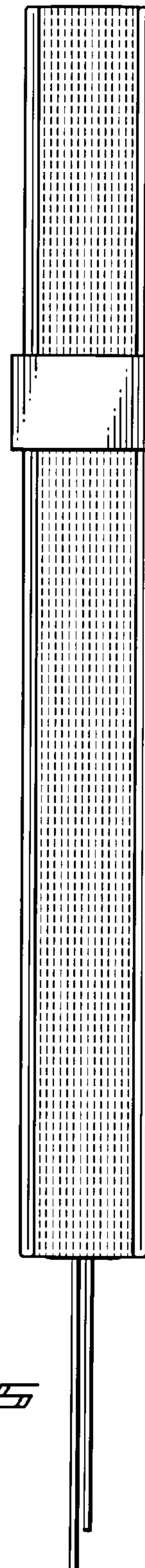


FIG. 5

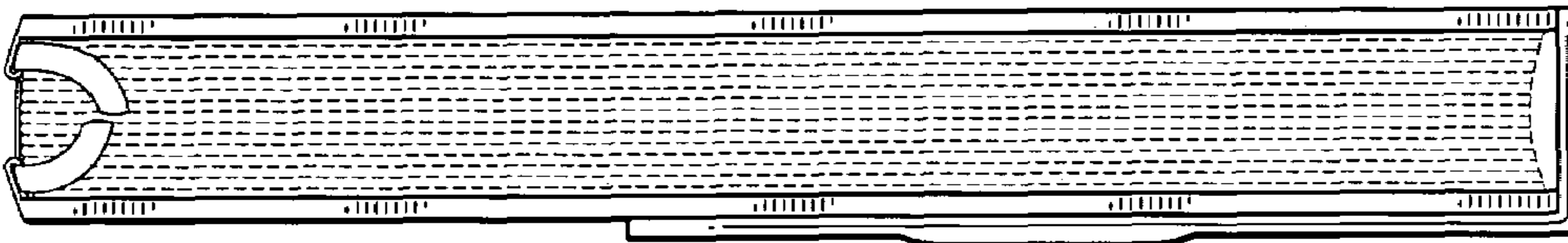


Fig. 1

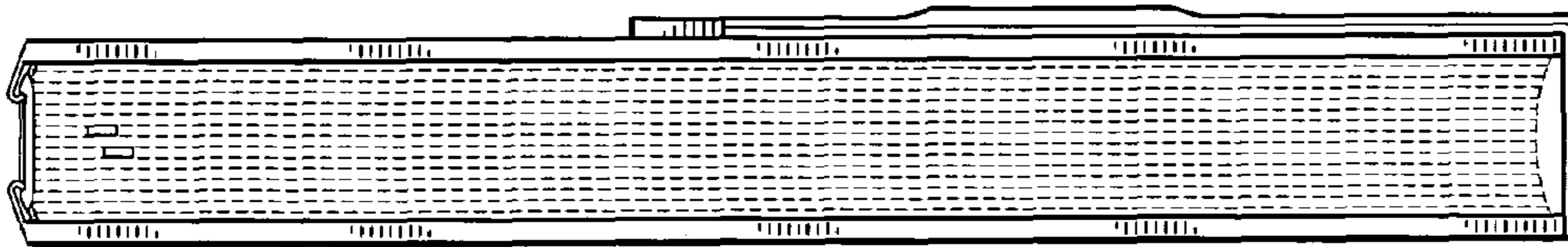


Fig. 2

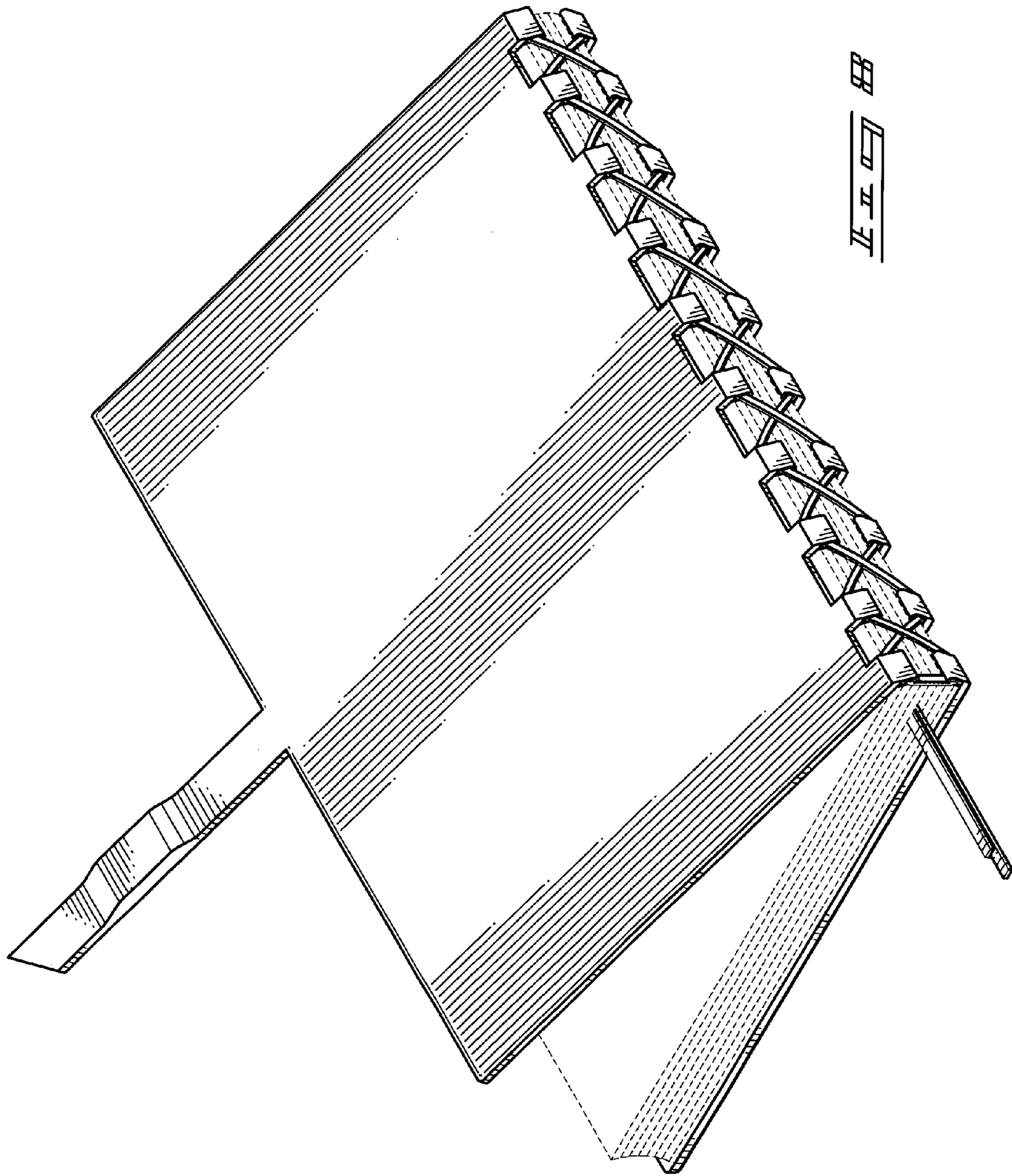
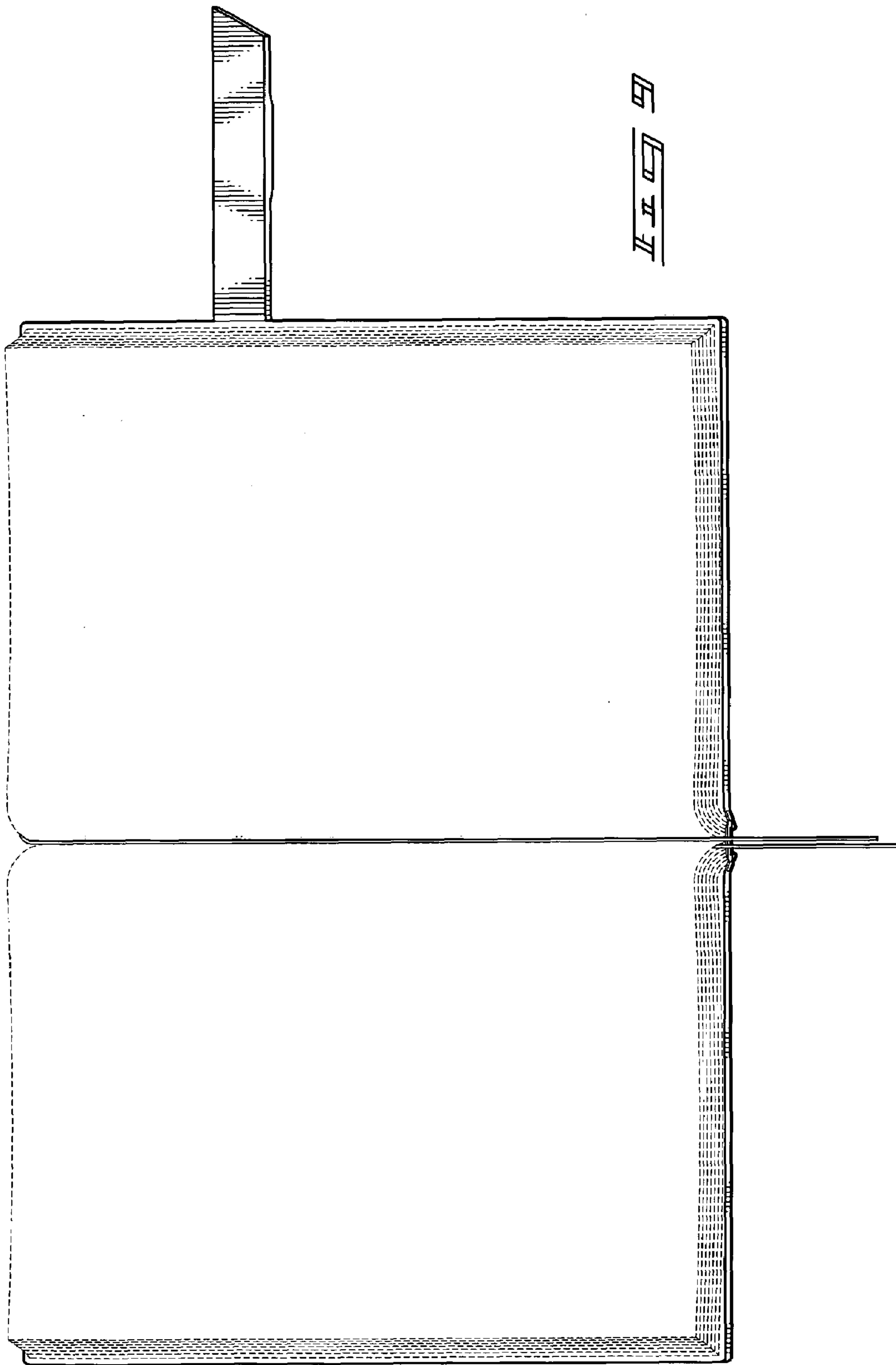
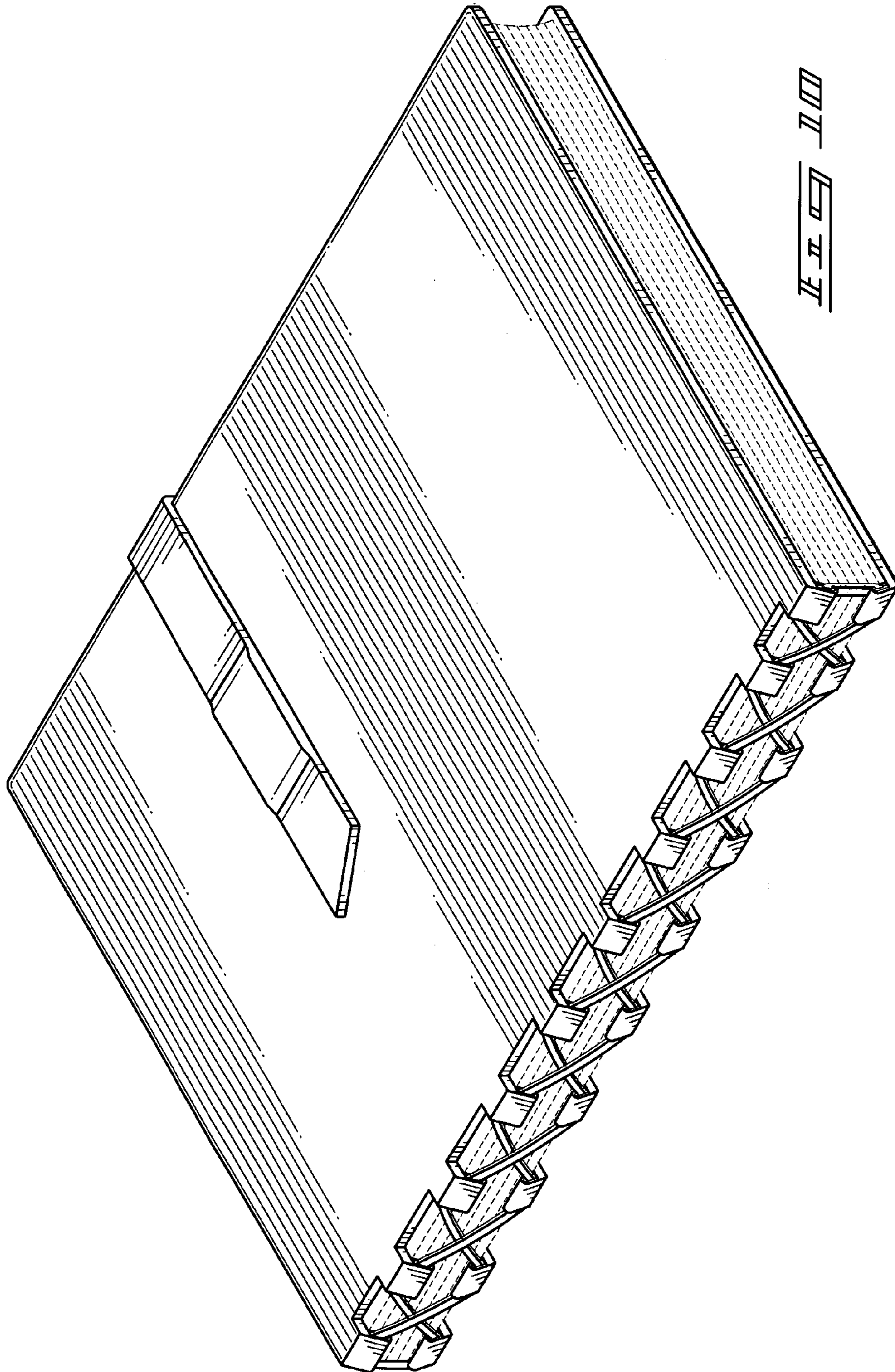
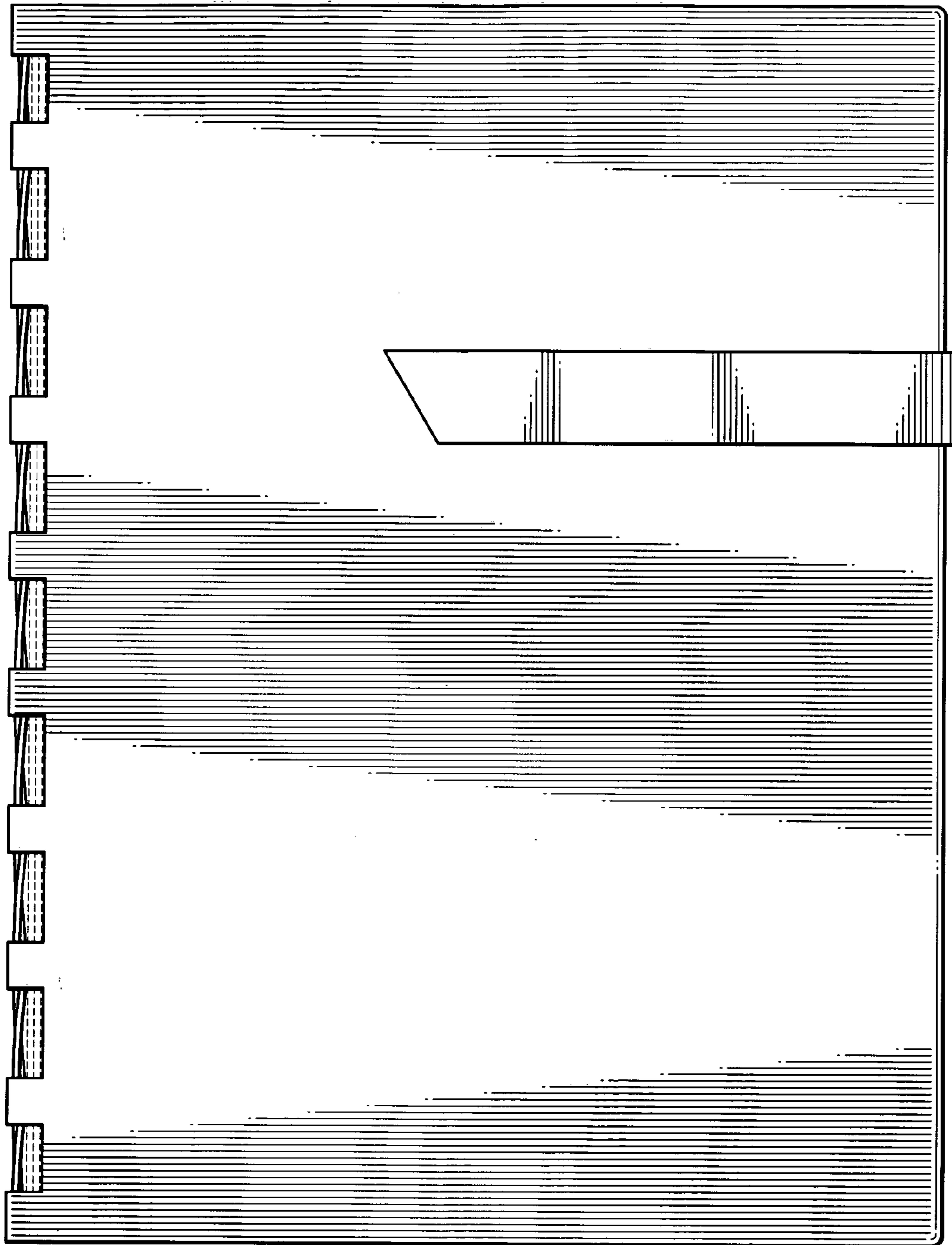


FIG. 6







II II II II II II

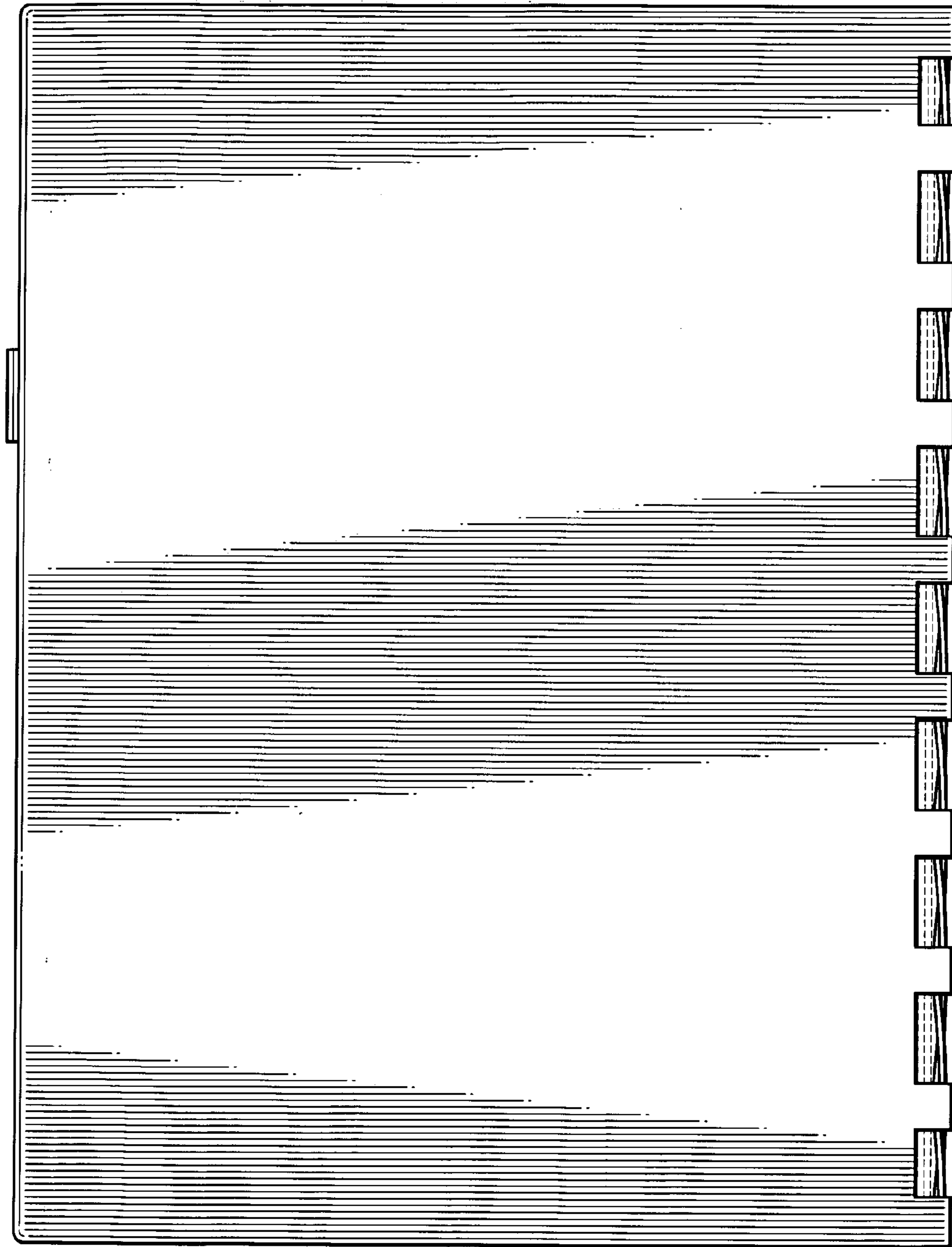


FIG. 10

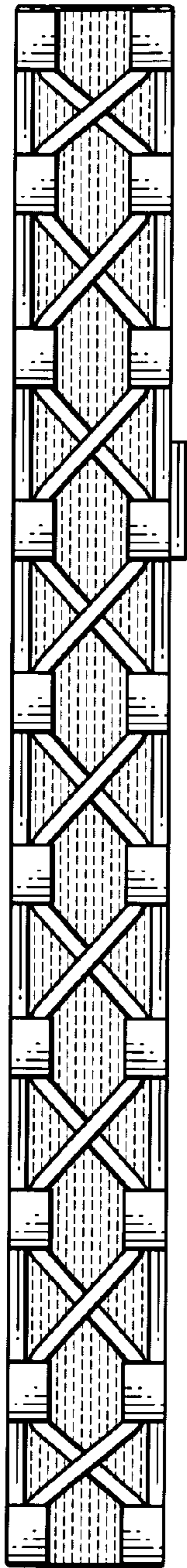


FIG. 13

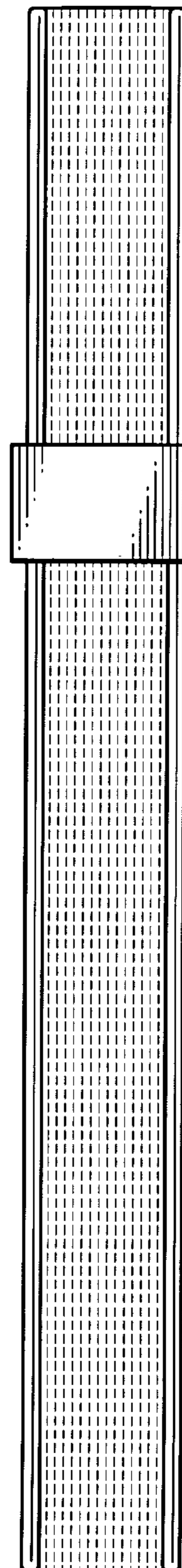


FIG. 14

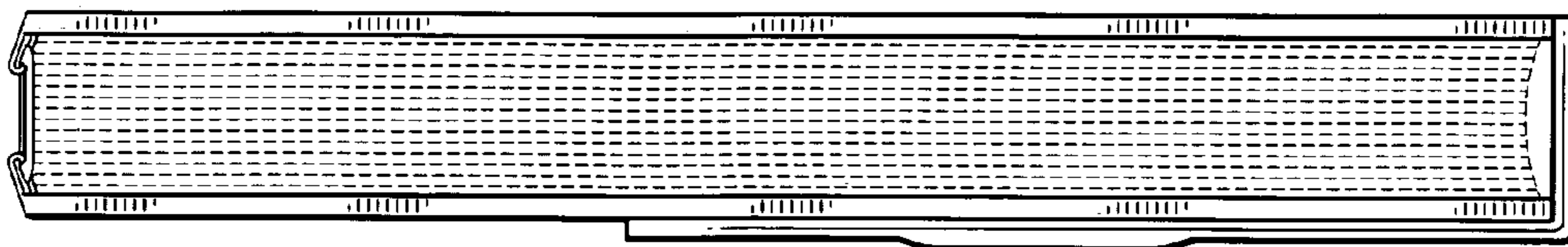


Fig. 15

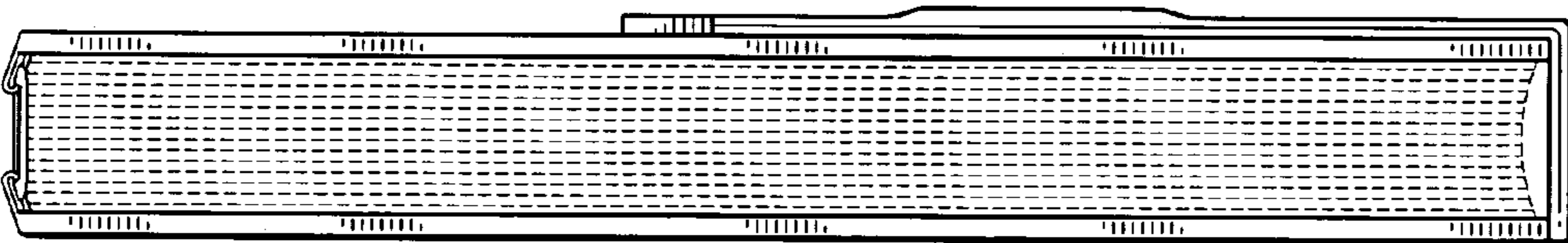


Fig. 16

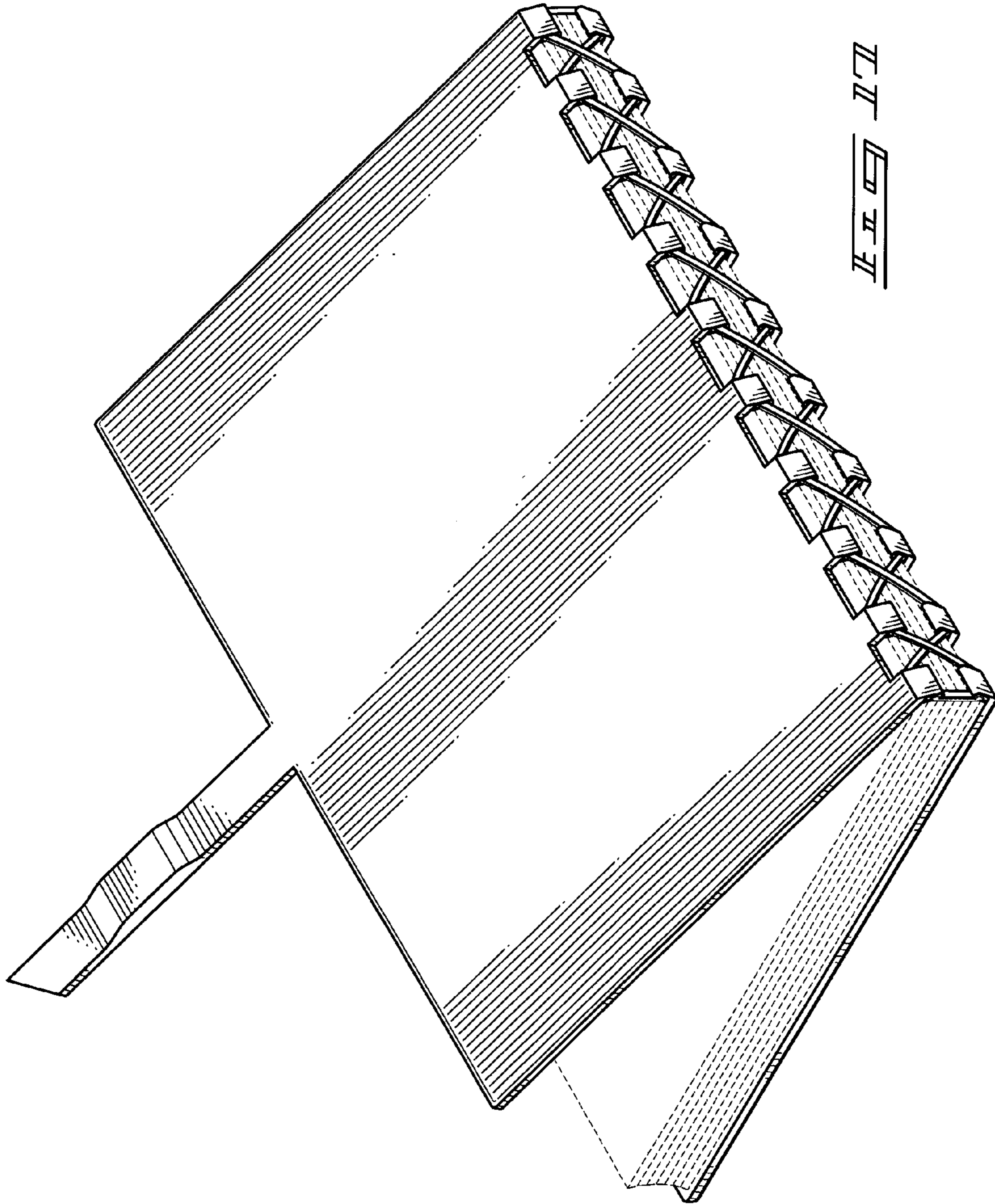


FIG. 13

