



US00D569902S

(12) **United States Design Patent**
Chang et al.

(10) **Patent No.:** **US D569,902 S**

(45) **Date of Patent:** **** May 27, 2008**

(54) **GIFT CARD ENCLOSURE WITH GIFT CARD**

(75) Inventors: **Diana Lo-Min Chang**, Mill Creek, WA (US); **Ji-Hyun K Hwang**, Renton, WA (US)

(73) Assignee: **Amazon Technologies, Inc.**, Reno, NV (US)

(**) Term: **14 Years**

(21) Appl. No.: **29/280,082**

(22) Filed: **May 16, 2007**

(51) **LOC (8) Cl.** **19-01**

(52) **U.S. Cl.** **D19/2**

(58) **Field of Classification Search** D19/1-34;
40/124.01-124.15, 672, 661, 726, 776; 283/72,
283/74, 75, 103, 105, 106; 206/449; 229/92.7,
229/301; D21/385; D20/10, 22, 27, 40,
D20/42, 11; D14/435-437; D10/46.1
See application file for complete search history.

(56) **References Cited**

U.S. PATENT DOCUMENTS

3,718,277	A *	2/1973	Volkert	229/301
4,200,189	A *	4/1980	Hagelberg	D19/26
D258,452	S *	3/1981	Hewitt et al.	D19/3
D258,453	S *	3/1981	Hewitt et al.	D19/3
D283,231	S *	4/1986	Bradenburger	D19/1
4,815,768	A *	3/1989	Applebaum et al.	D19/10
4,951,969	A *	8/1990	Epstein et al.	40/124.11
D332,467	S *	1/1993	Bardman	D19/1
5,203,457	A *	4/1993	Garcia	206/499
D353,835	S *	12/1994	Harris	D19/26
D354,621	S *	1/1995	Holtz	D19/1
5,450,680	A *	9/1995	Bromberg	40/124.08
D380,398	S *	7/1997	Randolph	D10/46.1

5,893,586	A *	4/1999	McGuire	283/106
6,153,039	A *	11/2000	Jacobsen	283/105
D457,555	S *	5/2002	Stephens-D'Angelo et al.	D19/1
D477,634	S *	7/2003	Malone	D19/26
D495,736	S *	9/2004	Scharf	D19/2
D504,462	S	4/2005	Mori	
D508,946	S *	8/2005	Sato	D19/3
D510,102	S	9/2005	Gray	
D521,553	S *	5/2006	Sterman	D19/2
D522,052	S *	5/2006	Lubking	D19/10
2003/0150142	A1 *	8/2003	Street	40/124.11
2005/0044757	A1 *	3/2005	Kershner et al.	40/124.06

* cited by examiner

Primary Examiner—Louis S Zarfaz

Assistant Examiner—David G Muller

(74) *Attorney, Agent, or Firm*—McCormick, Paulding & Huber LLP

(57) **CLAIM**

The ornamental design for a gift card enclosure with gift card, as shown and described.

DESCRIPTION

FIG. 1 is a top plan view of the present invention in an unfolded state.

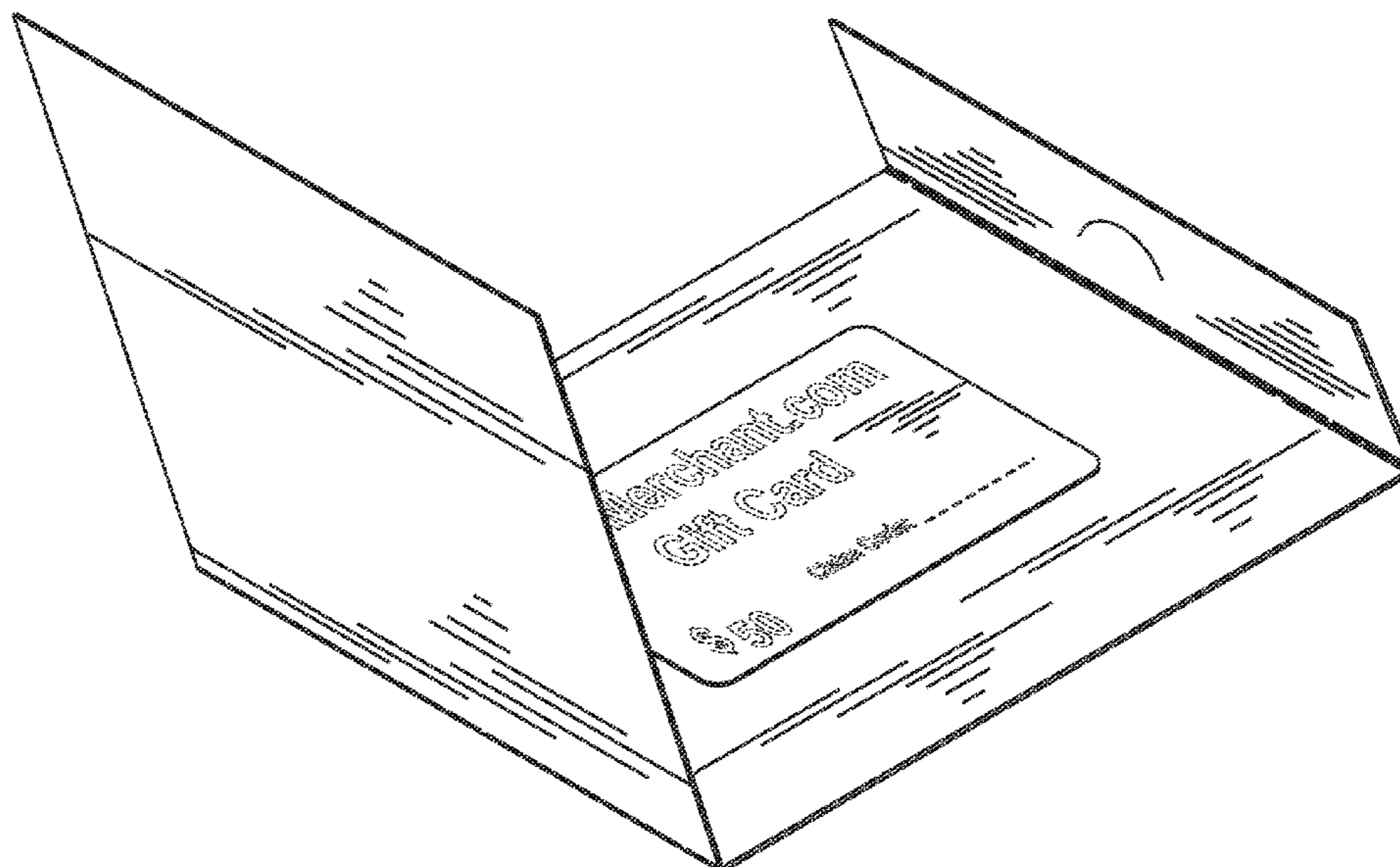
FIG. 2 is a bottom plan view of the present invention in an unfolded state.

FIG. 3 is a perspective view of the present invention in a completely folded and “closed” state; and,

FIG. 4 is a perspective view of the present invention in a partially folded state.

The portions shown in broken line are for illustrative purposes only and form no part of the claimed design.

1 Claim, 4 Drawing Sheets



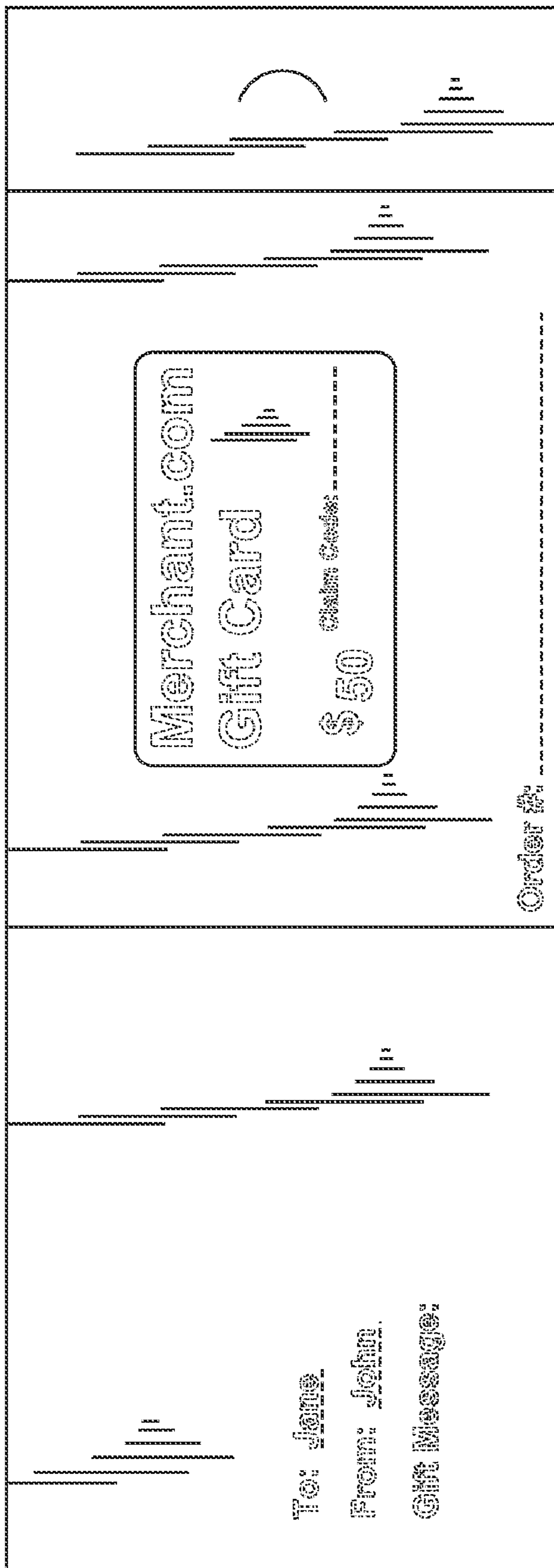


FIG. 1

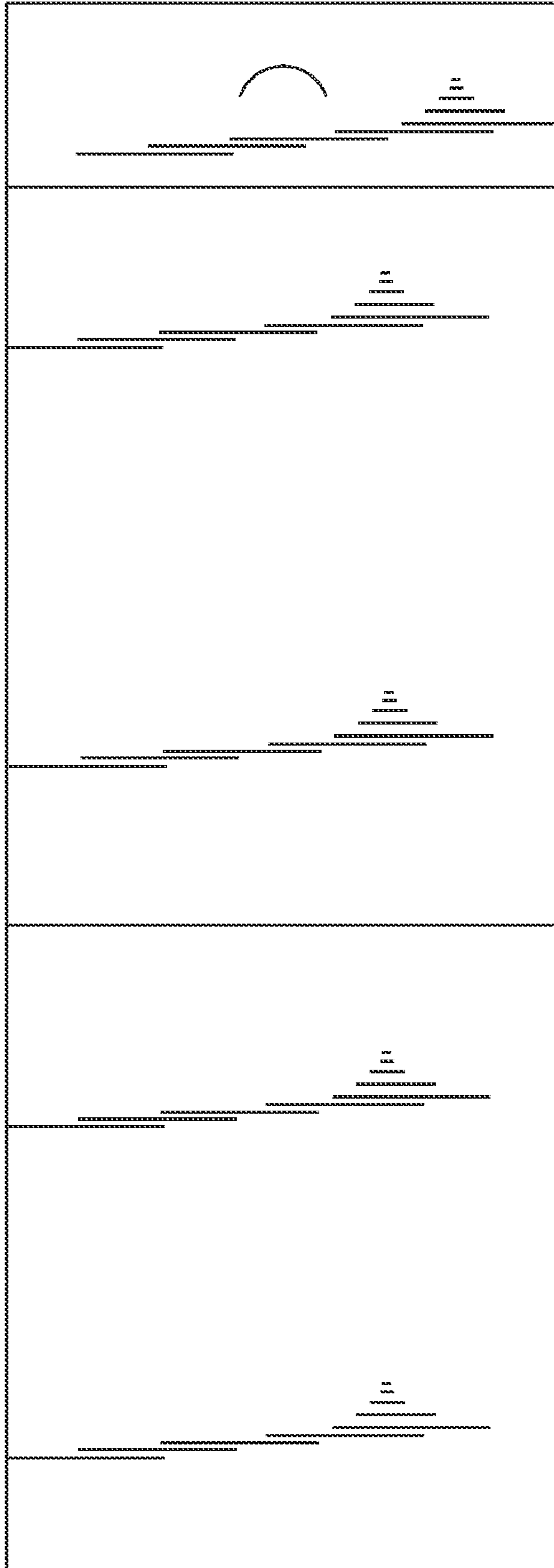


FIG. 2

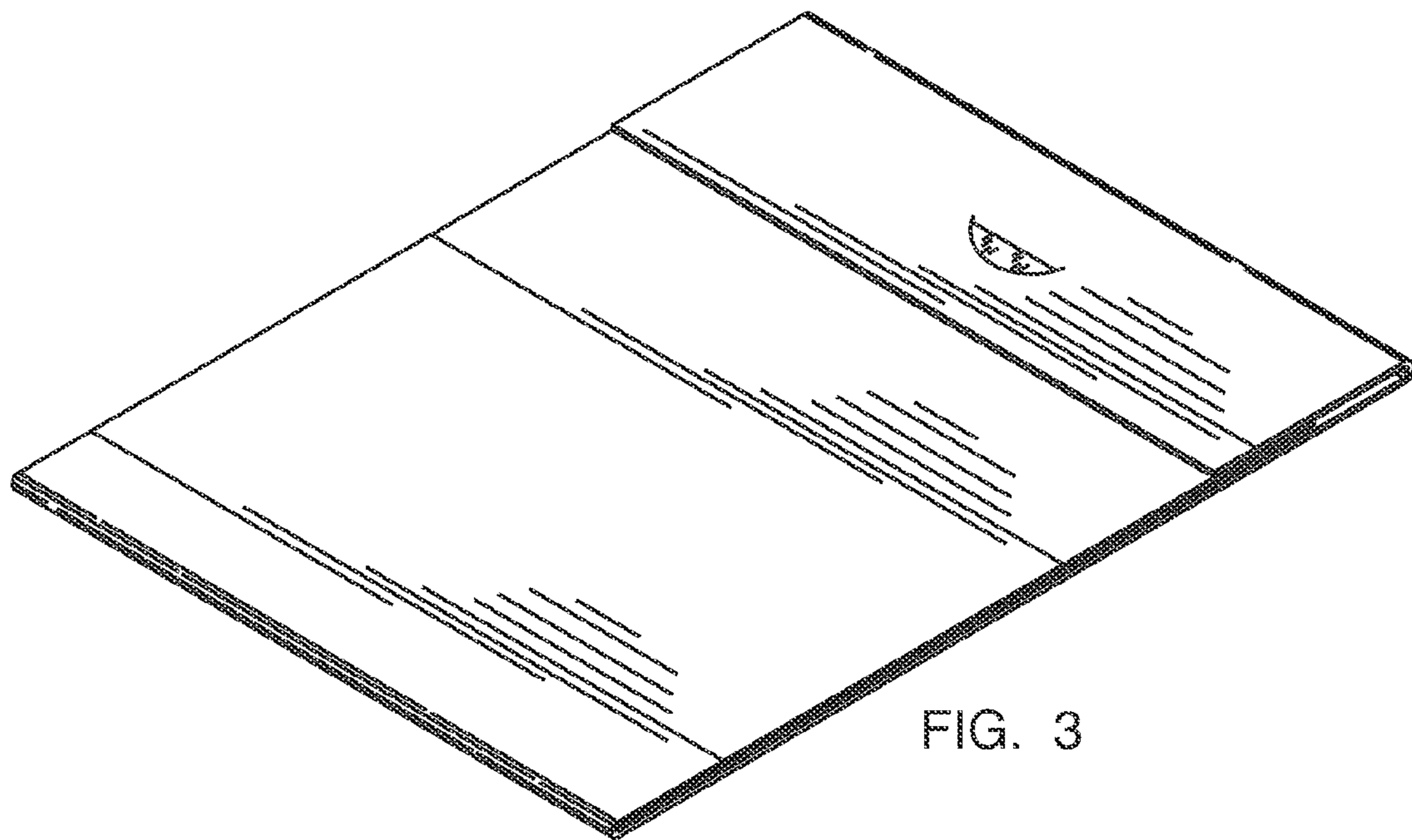


FIG. 3

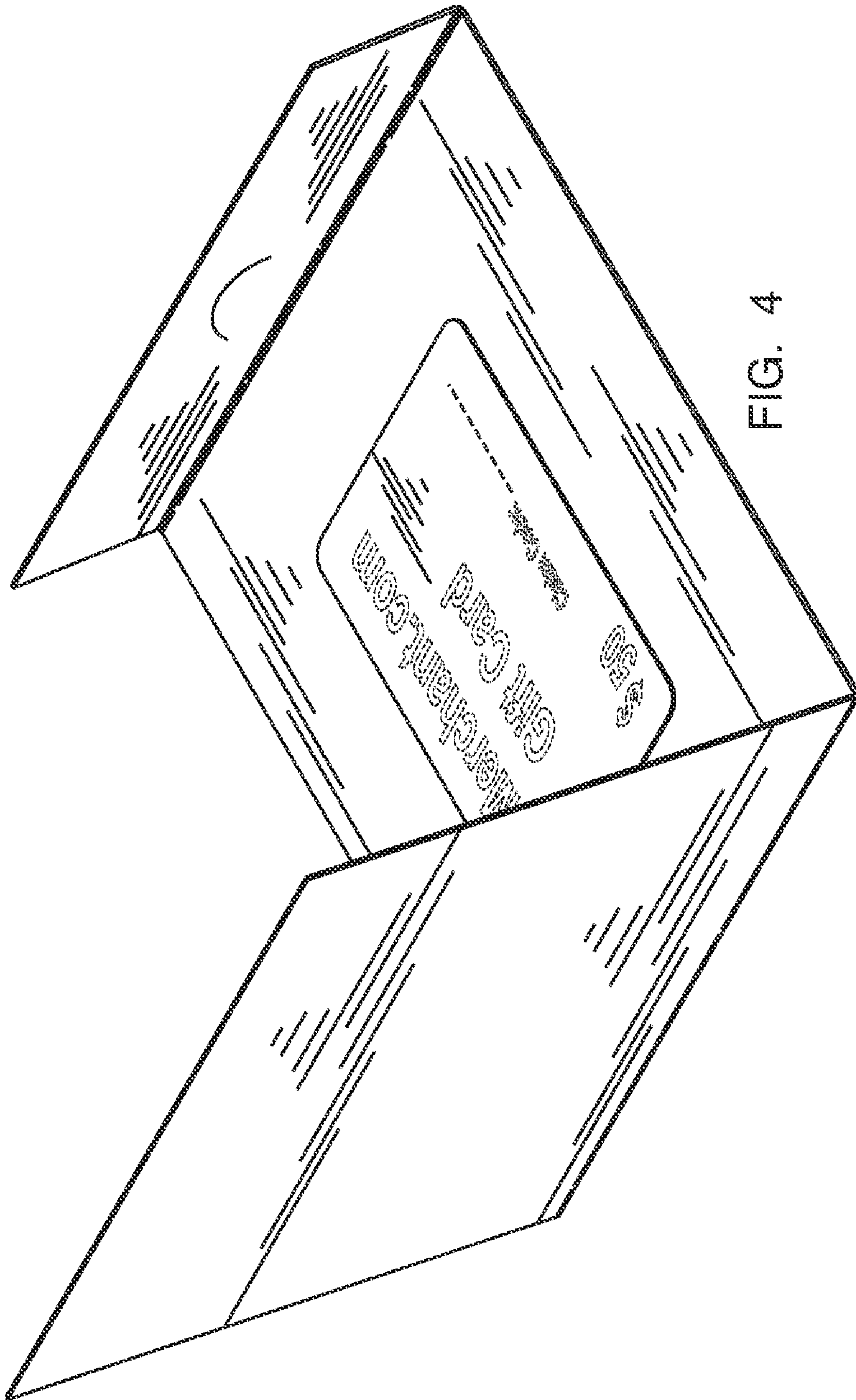


FIG. 4