



US00D569901S

(12) **United States Design Patent**  
**Jao**

(10) **Patent No.:** **US D569,901 S**  
(45) **Date of Patent:** **\*\* May 27, 2008**

(54) **RIBBON CARTRIDGE FOR A PHOTO PRINTER**

(75) Inventor: **Kun-Hang Jao**, Tai-Chung Hsien (TW)

(73) Assignee: **HiTi Digital, Inc.**, Taipei (TW)

(\*\*) Term: **14 Years**

(21) Appl. No.: **29/248,492**

(22) Filed: **Aug. 18, 2006**

(30) **Foreign Application Priority Data**

Aug. 3, 2006 (TW) ..... 95304334

(51) **LOC (8) Cl.** ..... **18-02**

(52) **U.S. Cl.** ..... **D18/56; 347/214**

(58) **Field of Classification Search** ..... D18/12,  
D18/40, 43, 56; 347/214; 400/196, 196.1,  
400/207-208, 208.1, 242

See application file for complete search history.

(56) **References Cited**

**U.S. PATENT DOCUMENTS**

- 4,978,240 A \* 12/1990 Katsuno ..... 347/214
- D327,495 S \* 6/1992 Nagai ..... D18/56
- D331,771 S \* 12/1992 Yoshihara ..... D18/12
- D334,021 S \* 3/1993 Nagai et al. .... D18/12
- D334,209 S \* 3/1993 Katsuno ..... D18/56
- D453,180 S \* 1/2002 Matsumoto et al. .... D18/12
- D458,295 S \* 6/2002 Neri et al. .... D18/12
- D464,670 S \* 10/2002 Du ..... D18/12
- D523,062 S \* 6/2006 Tu ..... D18/12
- D539,842 S \* 4/2007 Minami et al. .... D18/56

- D541,854 S \* 5/2007 Motoki ..... D18/56
- D544,536 S \* 6/2007 Motoki et al. .... D18/56
- D544,910 S \* 6/2007 Wang ..... D18/56
- D545,358 S \* 6/2007 Motoki et al. .... D18/56
- 2005/0201806 A1 \* 9/2005 Yamamoto ..... 400/208

**FOREIGN PATENT DOCUMENTS**

- KR 300277370 7/2001
- KR 3003764031 4/2005
- TW 139897 8/1990
- TW D104925 6/2005

\* cited by examiner

*Primary Examiner*—Cathy Anne MacCormac

(74) *Attorney, Agent, or Firm*—Winston Hsu

(57) **CLAIM**

I claim the ornamental design for a ribbon cartridge for a photo printer, as shown and described.

**DESCRIPTION**

FIG. 1 is a perspective view of a ribbon cartridge for a photo printer in accordance with the new design, a protruding pin being positioned on a housing of the ribbon cartridge for holding the ribbon cartridge;

FIG. 2 is a front view thereof;

FIG. 3 is a rear view thereof;

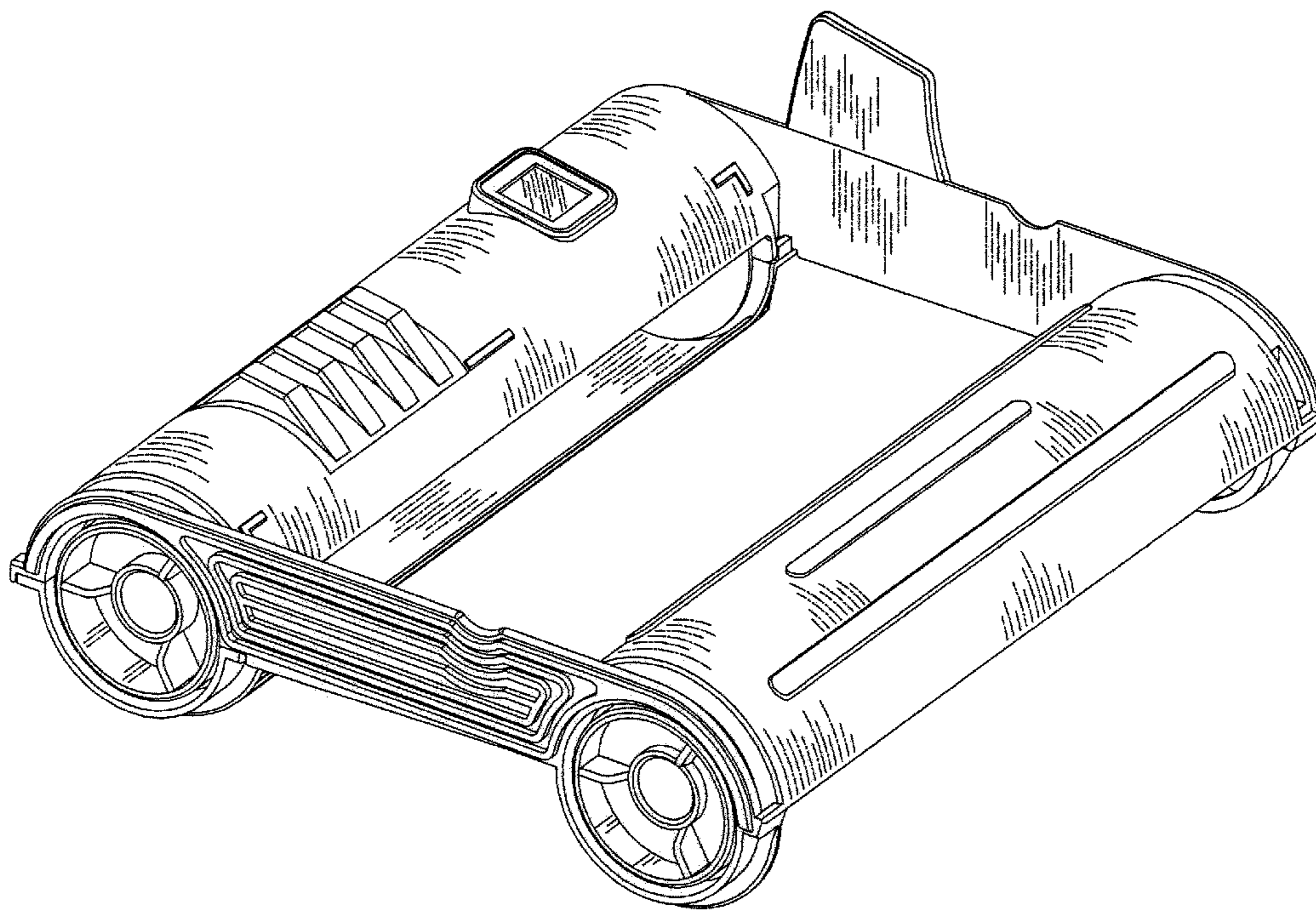
FIG. 4 is a left side view thereof;

FIG. 5 is a right side view thereof;

FIG. 6 is a top view thereof; and,

FIG. 7 is a bottom view thereof.

**1 Claim, 7 Drawing Sheets**



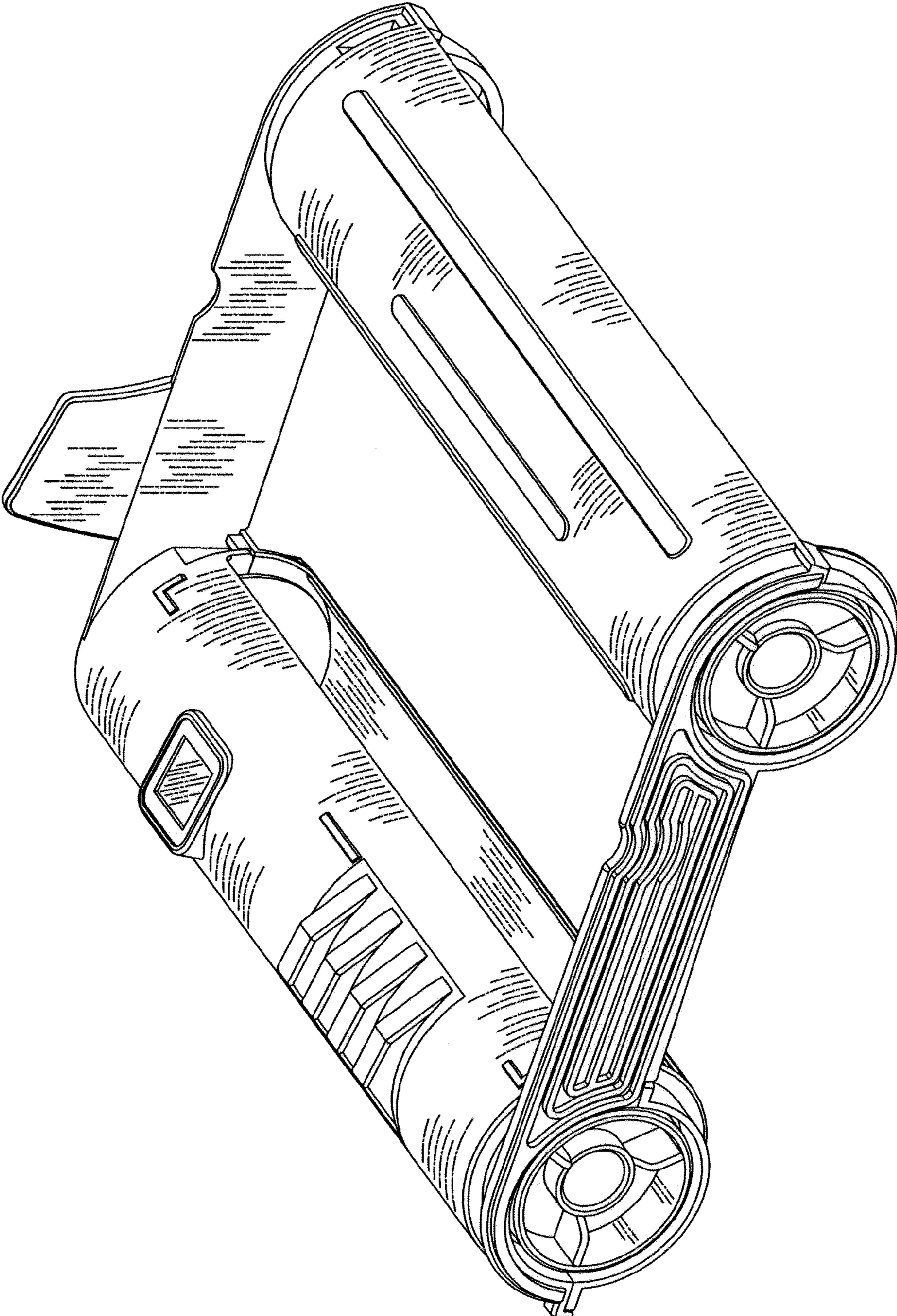


FIG. 1

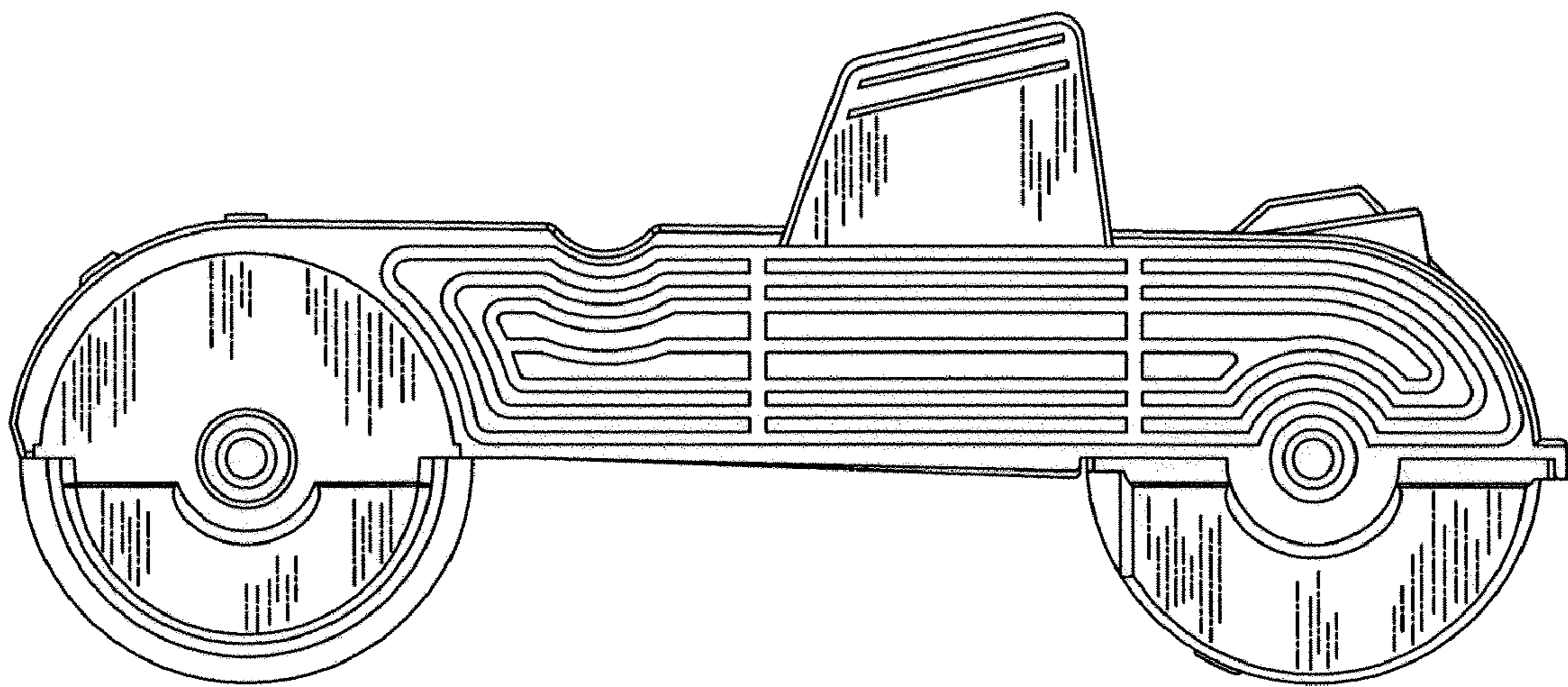


FIG. 2

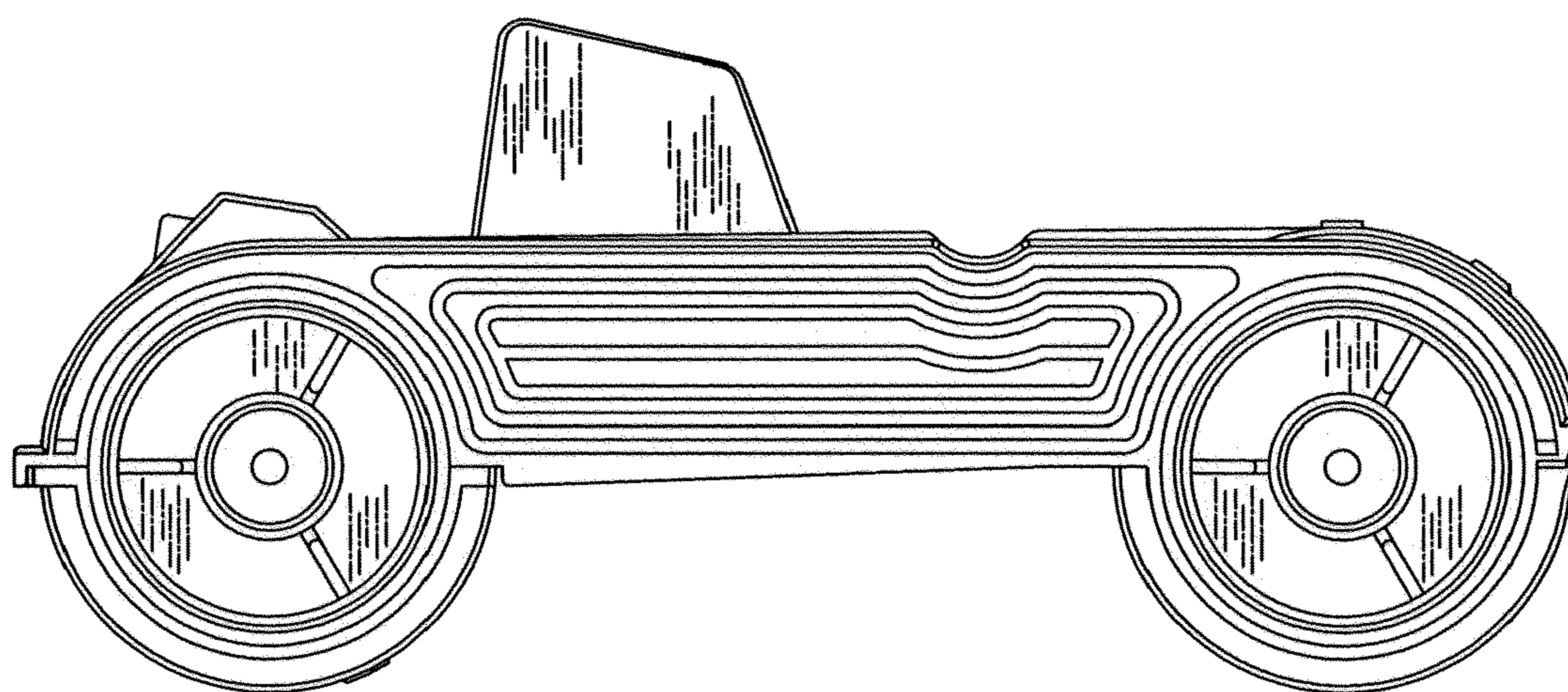


FIG. 3

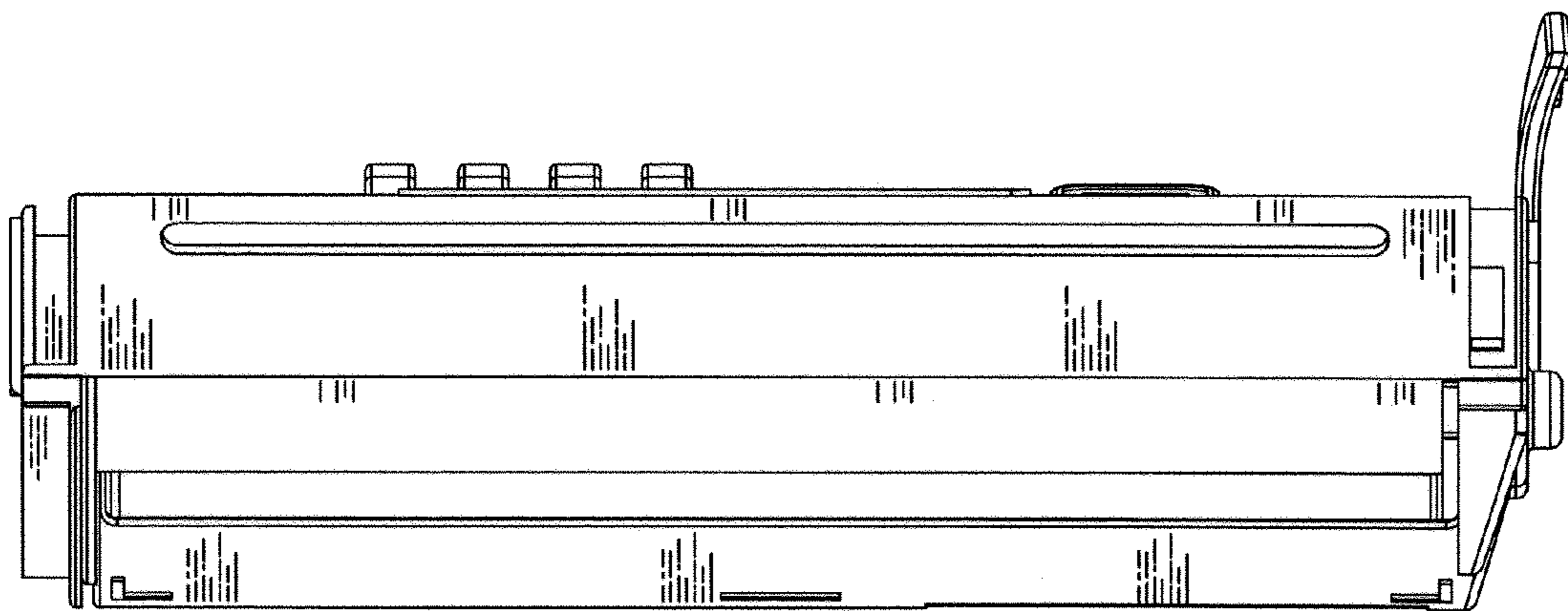


FIG. 4

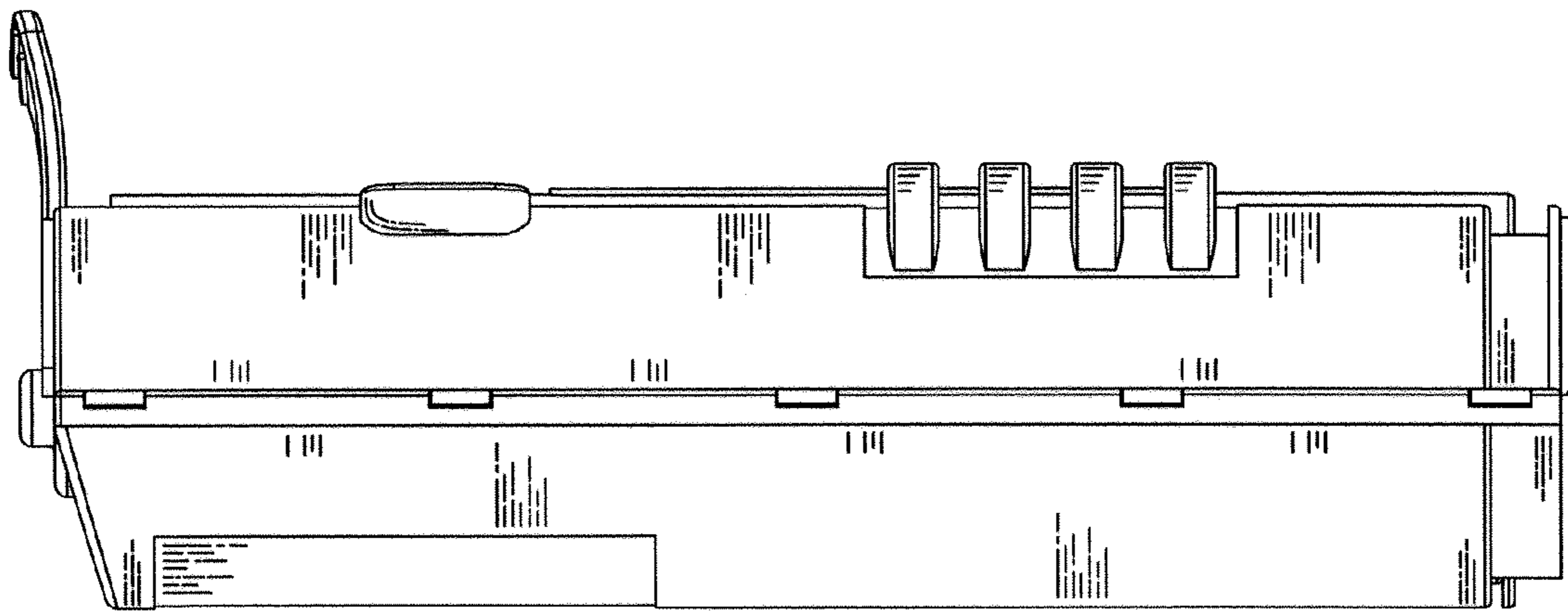


FIG. 5

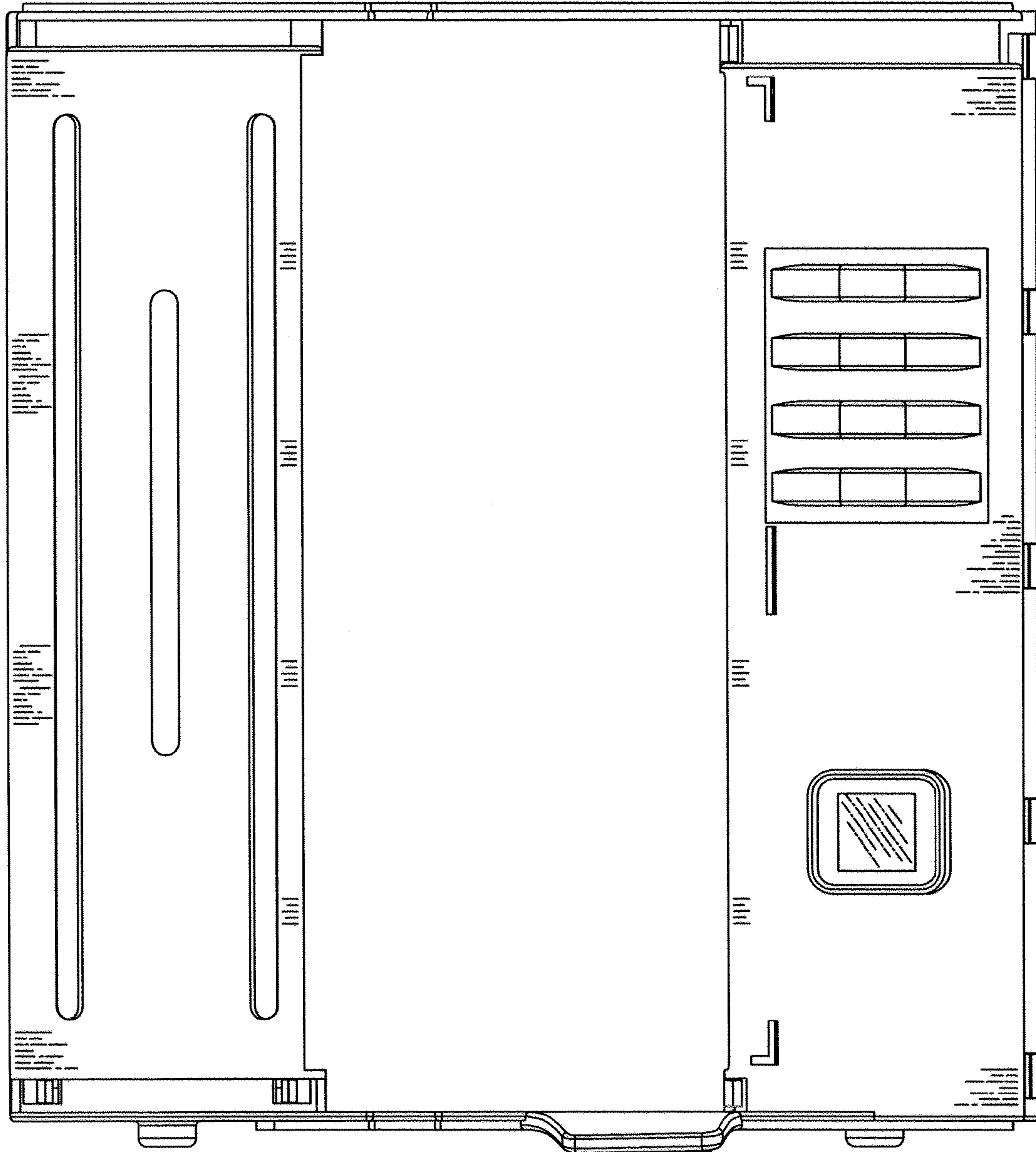


FIG. 6

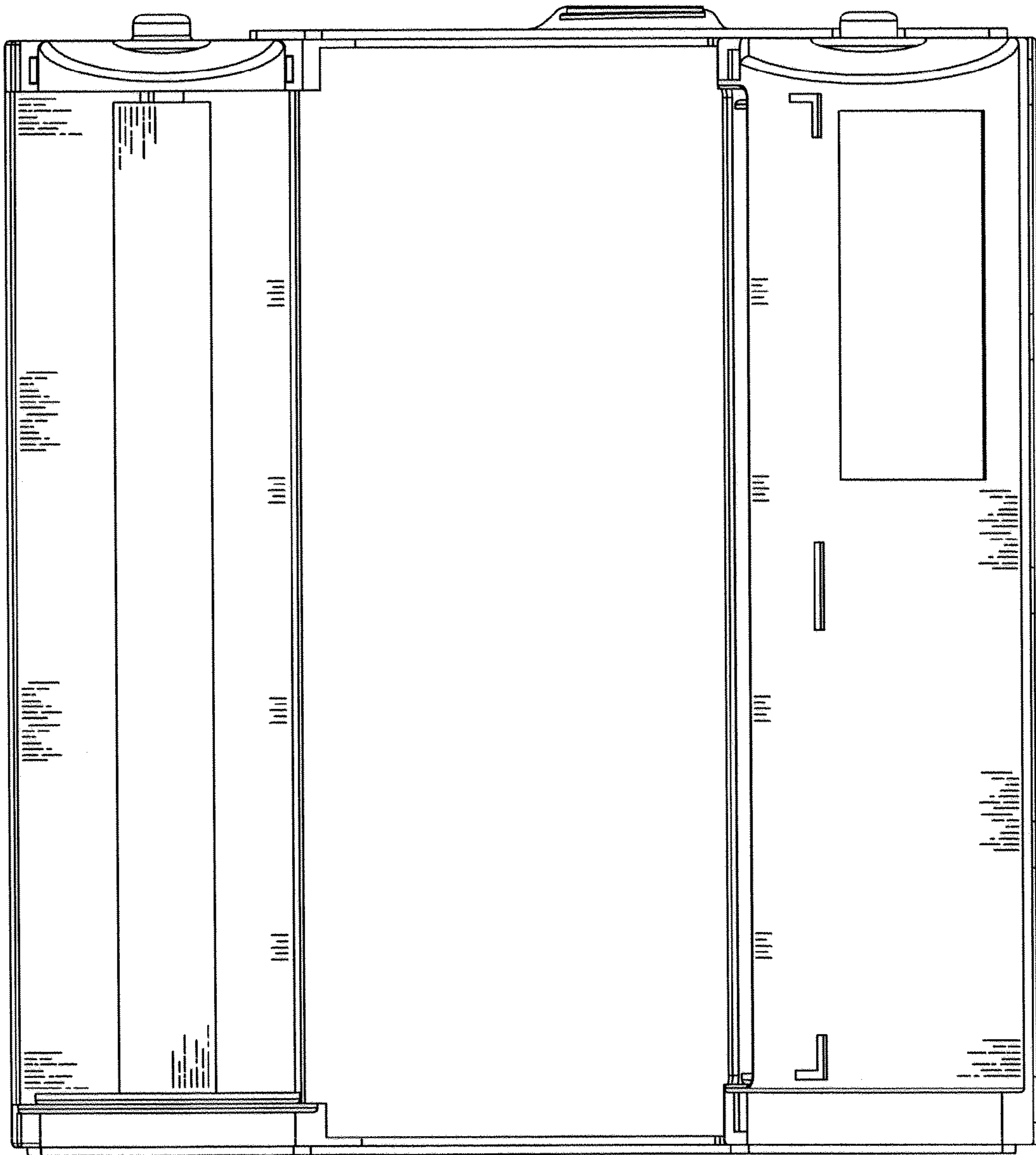


FIG. 7