

US00D569900S

(12) **United States Design Patent**
Yamamoto et al.

(10) **Patent No.:** **US D569,900 S**

(45) **Date of Patent:** **** May 27, 2008**

(54) **TONER CARTRIDGE**

(75) Inventors: **Yuichi Yamamoto**, Tokyo (JP); **Yusuke Akune**, Tokyo (JP)

(73) Assignee: **Konica Minolta Business Technologies, Inc.**, Chiyoda-Ku, Tokyo (JP)

(**) Term: **14 Years**

(21) Appl. No.: **29/290,573**

(22) Filed: **Dec. 18, 2007**

Related U.S. Application Data

(62) Division of application No. 29/274,261, filed on Apr. 10, 2007.

(30) **Foreign Application Priority Data**

Oct. 13, 2006 (JP) 2006-027695
Oct. 13, 2006 (JP) 2006-027696

(51) **LOC (8) Cl.** **16-03**

(52) **U.S. Cl.** **D18/43**

(58) **Field of Classification Search** D14/471;
D18/12, 36, 40, 43, 44, 56; 222/DIG. 1;
347/197, 222; 399/24-28, 107-112, 119,
399/121, 122, 222-224

See application file for complete search history.

(56) **References Cited**

U.S. PATENT DOCUMENTS

D443,295 S * 6/2001 Kusanagi et al. D18/40
D448,042 S * 9/2001 Hale et al. D18/43
6,963,713 B2 * 11/2005 Isomura et al. 222/DIG. 1
D524,850 S * 7/2006 Hashimoto et al. D18/43
D534,576 S * 1/2007 Hashimoto et al. D18/43
D552,163 S * 10/2007 Kouroku et al. D18/43
D552,164 S * 10/2007 Kouroku et al. D18/43

FOREIGN PATENT DOCUMENTS

JP D1216043 S 8/2004

JP D1216182 S 8/2004
JP D1252650 S 10/2005
JP D1257112 S 12/2005
JP D1293401 S 2/2007

OTHER PUBLICATIONS

Yamamoto, Yuichi, et al., U.S. Appl. No. 29/265,454, entitled, "Toner Cartridge", filed Sep. 1, 2006.

Product information for magicolor 5440 DL, Konica Minolta Holdings Inc., <http://konicaminoltajp/products/business/printers/laser/color/magicolor5440dl/...>, pp. 1-5, Aug. 23, 2006.

Optional product information for magicolor 5440 DL, Konica Minolta Holdings Inc., <http://konicaminoltajp/products/business/printers/laser/color/maghicolor5440dl/...>, pp. 1-4, Aug. 23, 2006.

Optional product information for magicolor 7300, Konica Minolta Holdings, Inc., <http://konicaminoltajp/products/busines/pritners/laser/archive/magi7300/730...>, pp. 1-3, Aug. 23, 2006.

* cited by examiner

Primary Examiner—Caron D. Veynar

Assistant Examiner—Garth Rademaker

(74) *Attorney, Agent, or Firm*—Buchanan Ingersoll & Rooney PC

(57) **CLAIM**

The ornamental design for a toner cartridge, as shown.

DESCRIPTION

FIG. 1 is a top, front and right side perspective view of a toner cartridge showing our new design;

FIG. 2 is a top, rear and left side perspective view thereof;

FIG. 3 is a front elevational view thereof;

FIG. 4 is a rear elevational view thereof;

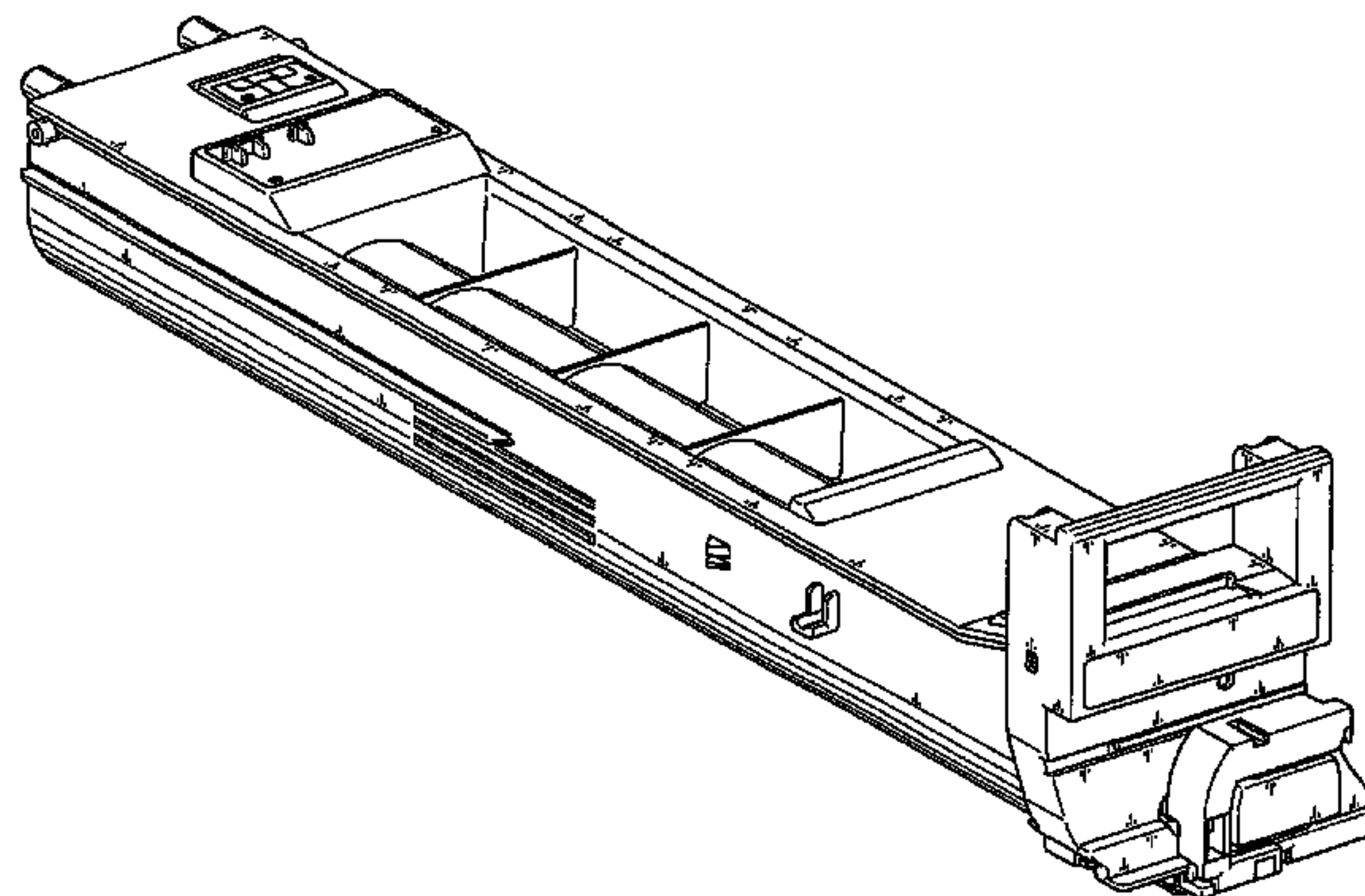
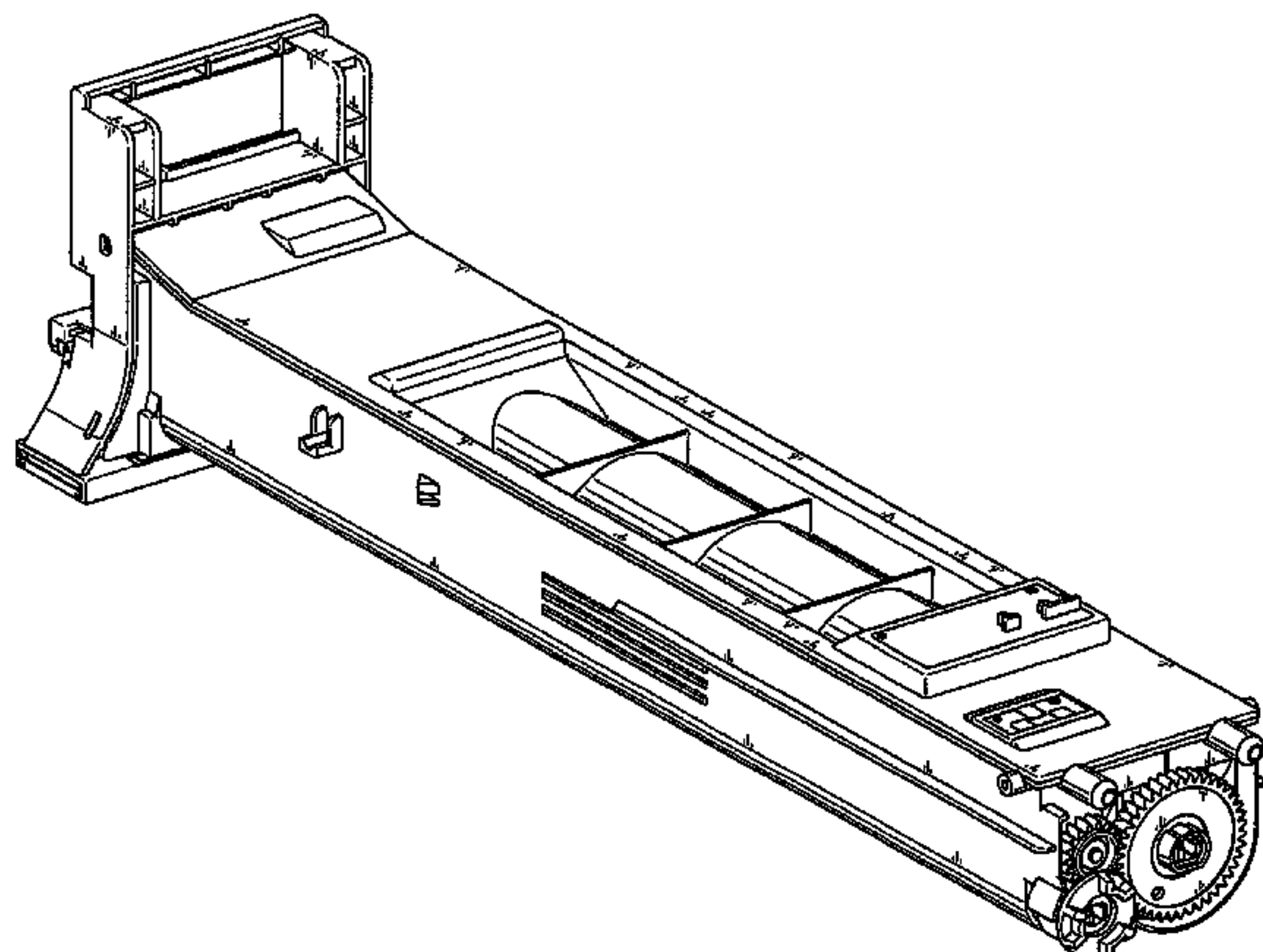
FIG. 5 is a left side elevational view thereof;

FIG. 6 is a right side elevational view thereof;

FIG. 7 is a top plan view thereof; and,

FIG. 8 is a bottom plan view thereof.

1 Claim, 7 Drawing Sheets



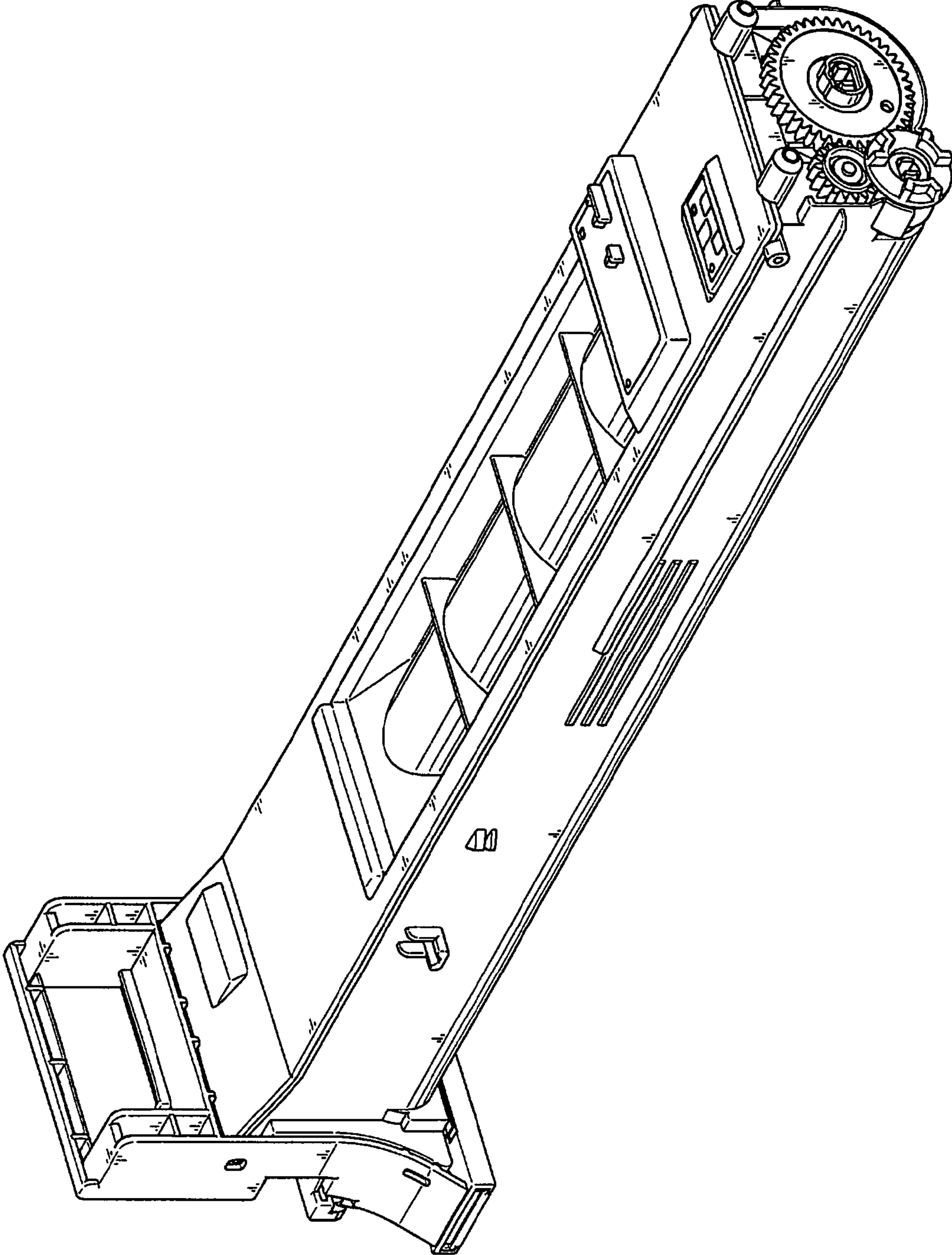


FIG. 1

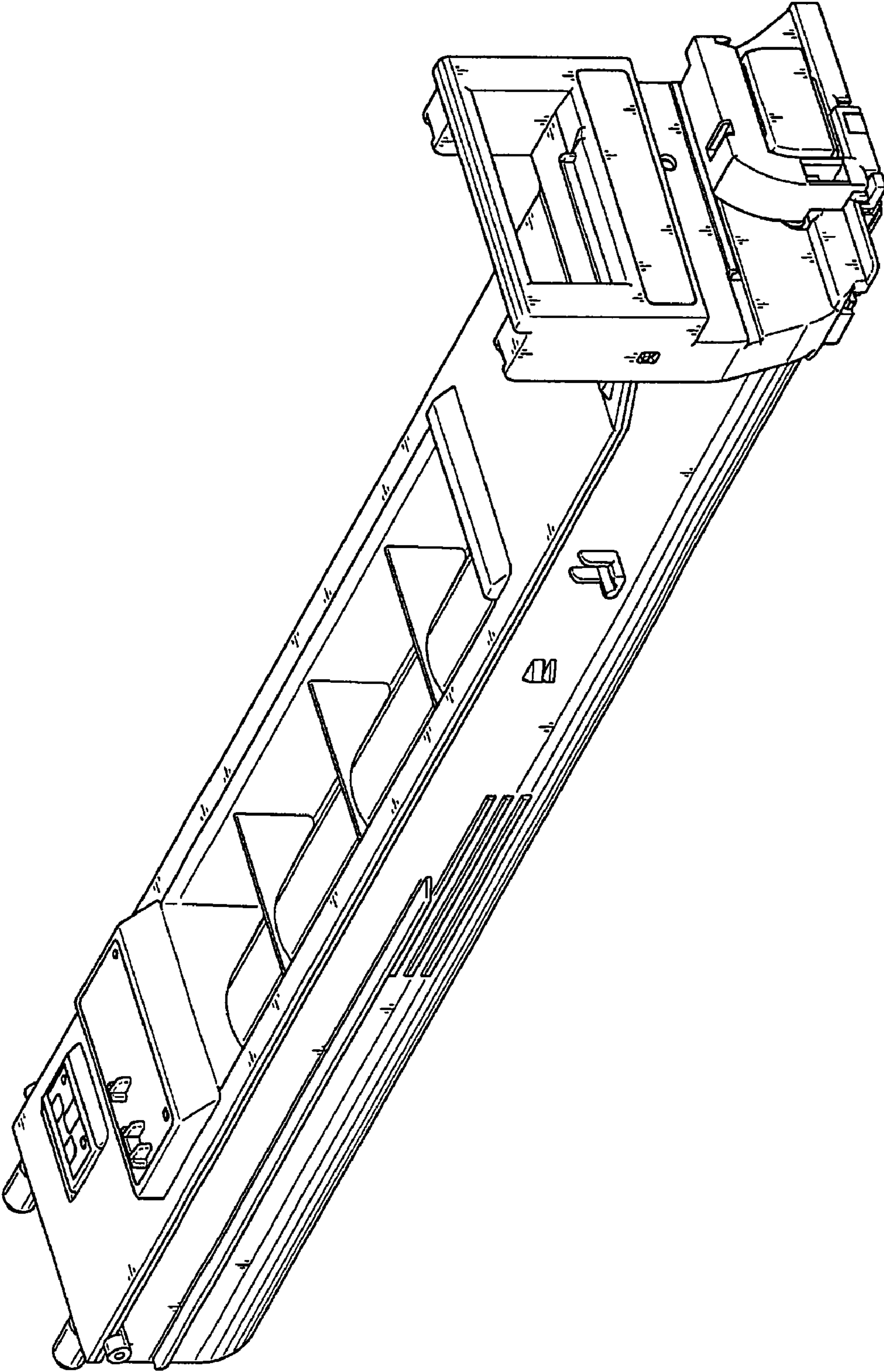


FIG. 2

FIG. 3

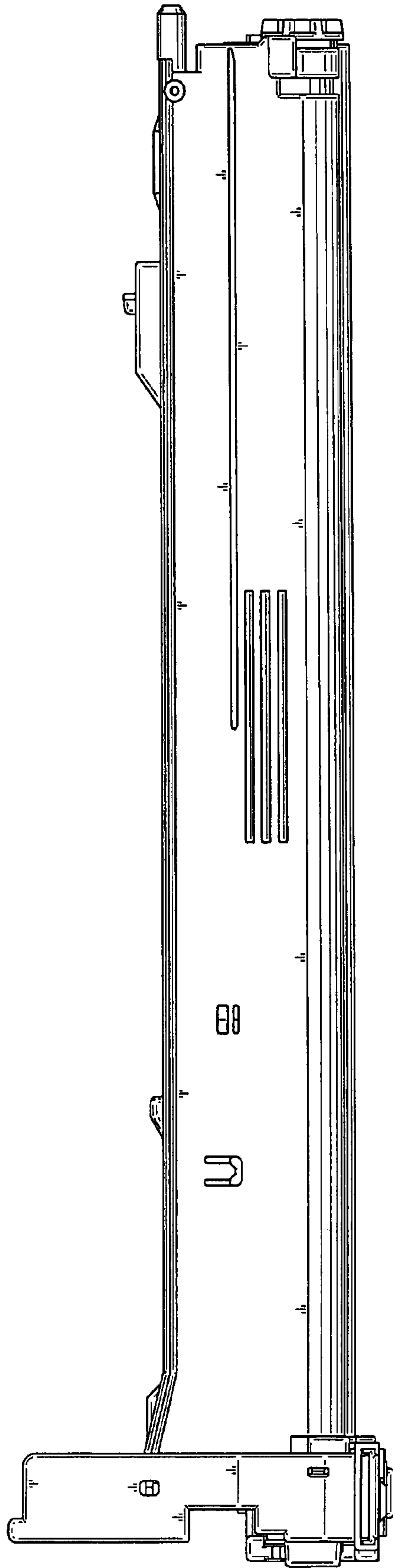


FIG. 6

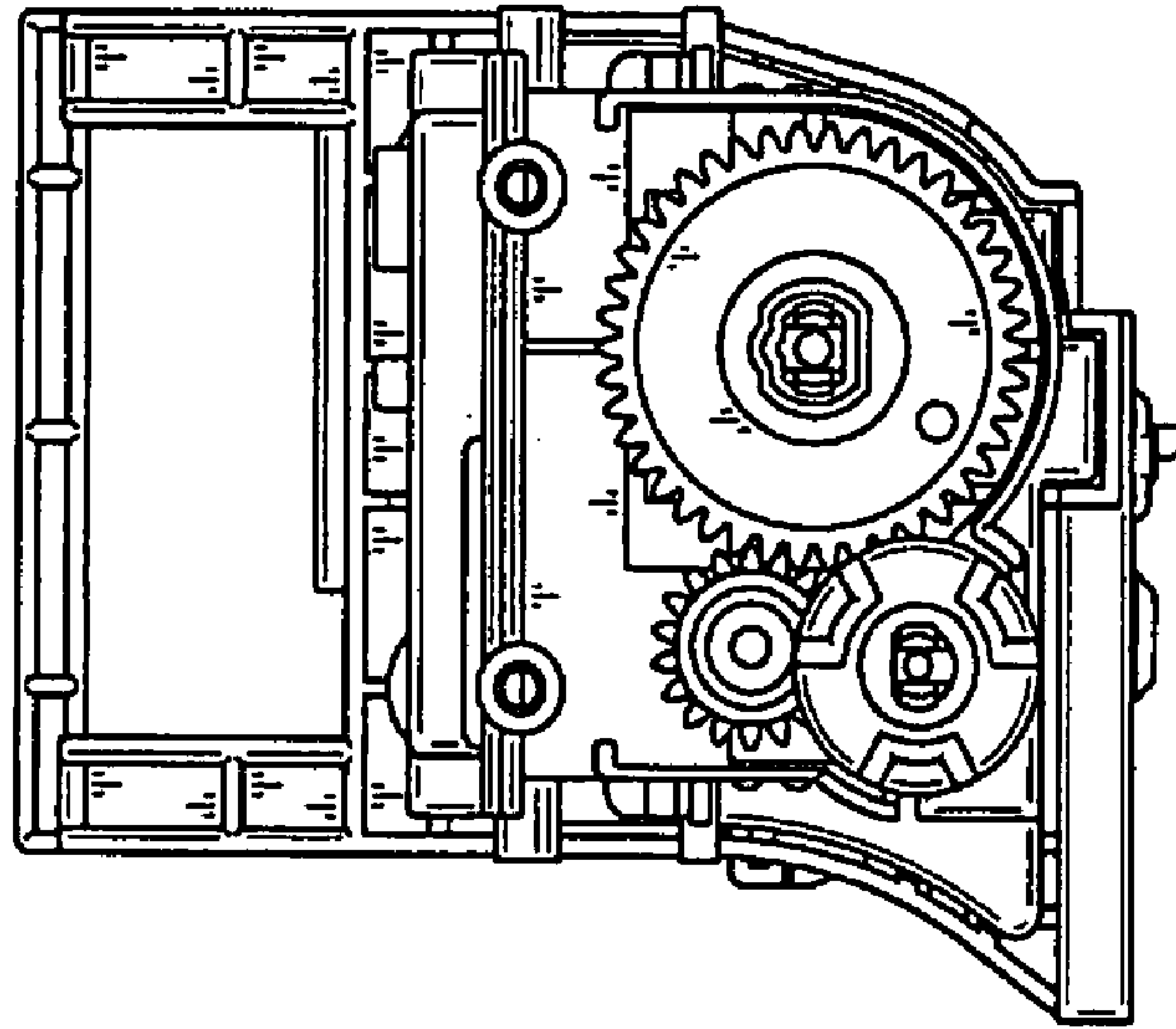


FIG. 5

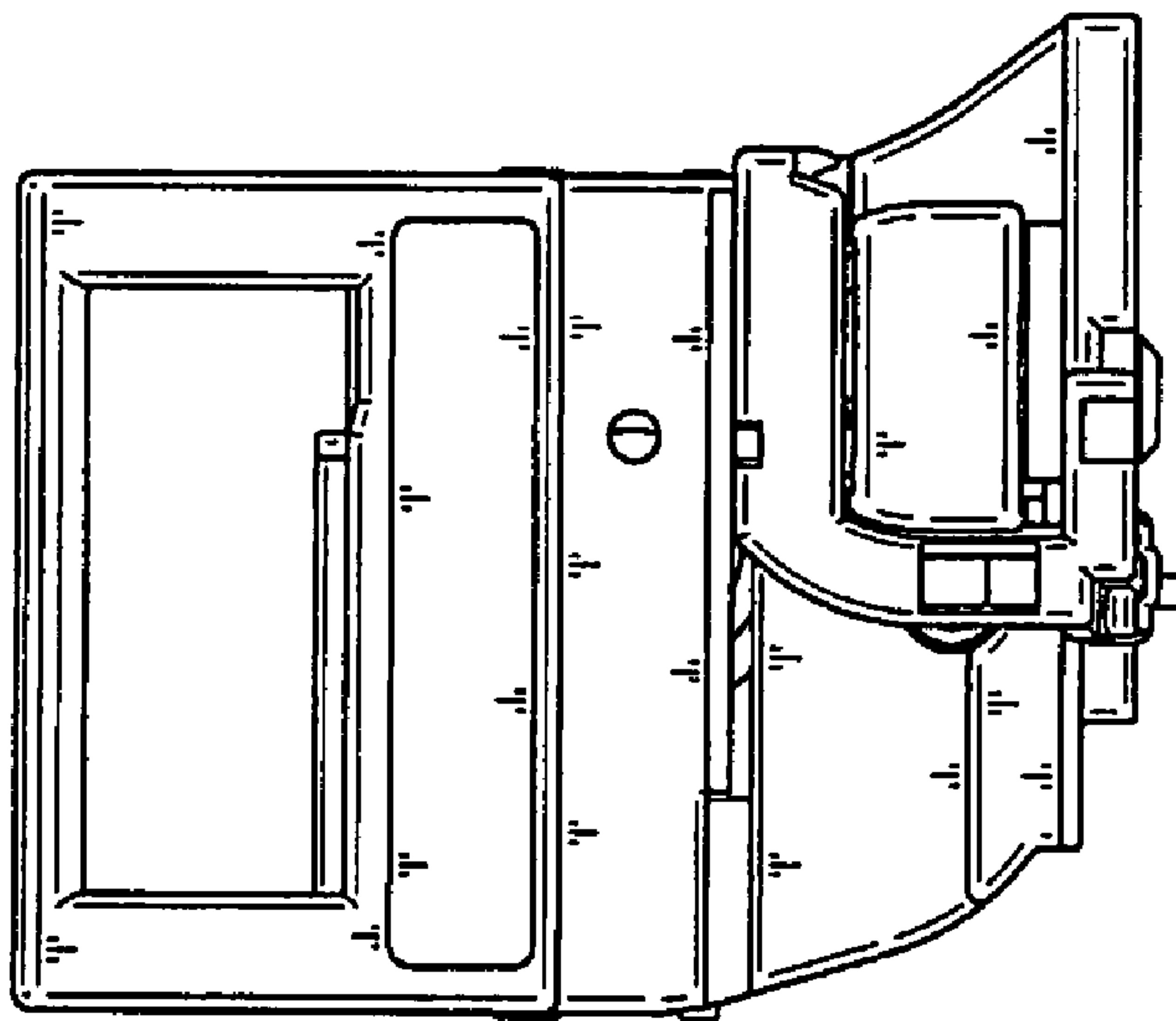
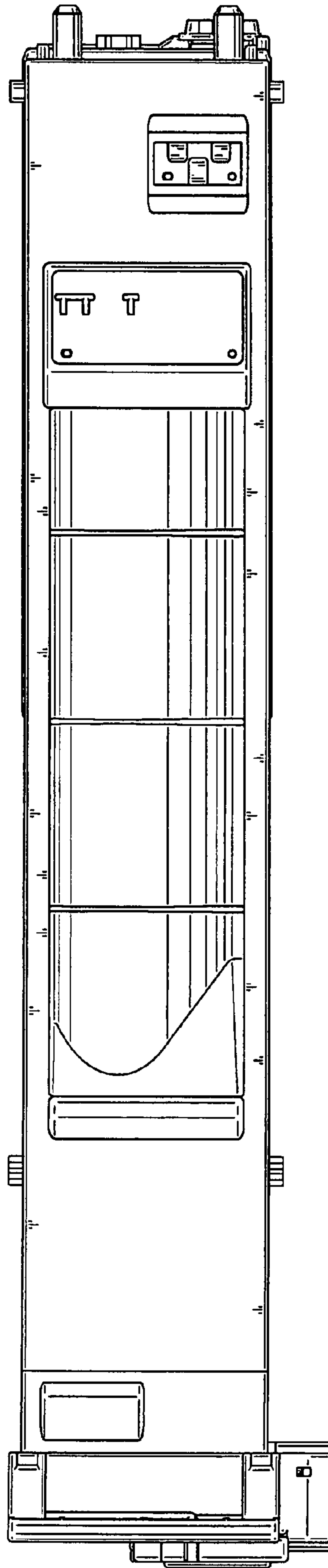


FIG. 7



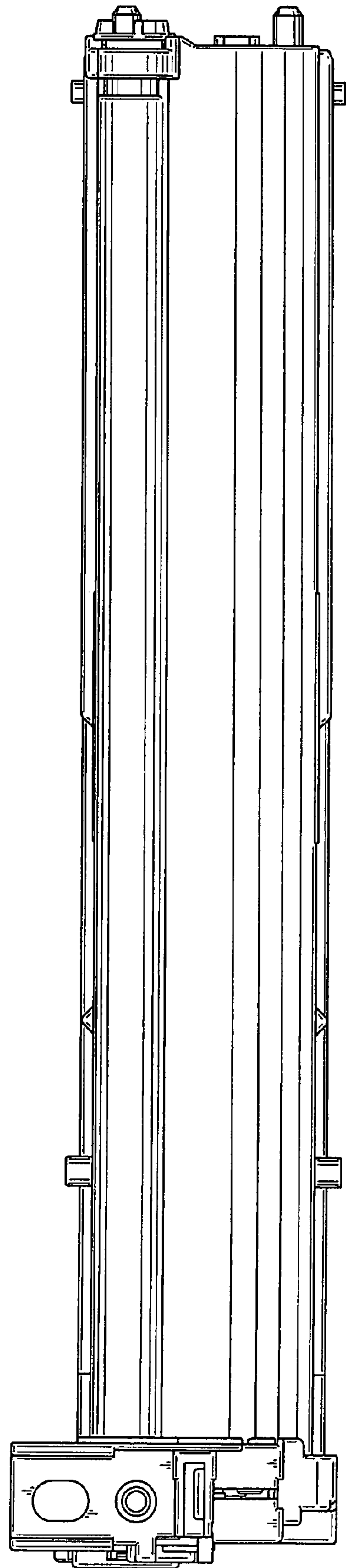


FIG. 8