



US00D569898S

(12) **United States Design Patent**  
**Masuda**

(10) **Patent No.:** **US D569,898 S**

(45) **Date of Patent:** **\*\* May 27, 2008**

(54) **CASH REGISTER FOR A POINT OF SALES  
TERMINAL**

D540,797 S \* 4/2007 Chen et al. .... D14/375  
D542,834 S \* 5/2007 Ando et al. .... D18/4.6

(75) Inventor: **Takuro Masuda**, Tokyo (JP)

\* cited by examiner

(73) Assignee: **Toshiba Tec Kabushiki Kaisha** (JP)

*Primary Examiner*—Caron D. Veynar

*Assistant Examiner*—Garth Rademaker

(\*\*) Term: **14 Years**

(74) *Attorney, Agent, or Firm*—Harness, Dickey & Pierce,  
P.L.C.

(21) Appl. No.: **29/289,367**

(57) **CLAIM**

(22) Filed: **Jul. 17, 2007**

The ornamental design for a cash register for a point of sales terminal, as shown and described.

(30) **Foreign Application Priority Data**

Jan. 22, 2007 (JP) ..... 2007-001096

**DESCRIPTION**

(51) **LOC (8) Cl.** ..... **18-01**

FIG. 1 is a front, top and left side perspective view of a cash register for a point of sales terminal, showing my new design;

(52) **U.S. Cl.** ..... **D18/4.5**

(58) **Field of Classification Search** ..... D14/336,  
D14/371, 373–376, 385–387, 399; D18/3.1–3.3,  
D18/4.1–4.6, 6–8, 11, 12, 12.1–12.3, 19;  
D21/324, 329, 332, 333; D99/28, 34–36,  
D99/43; 235/1 E, 2, 7 R, 12, 22, 33, 51,  
235/52; 705/12, 15–18, 43

FIG. 2 is a rear, top and left side perspective view thereof;

FIG. 3 is a front elevational view thereof;

FIG. 4 is a rear elevational view thereof;

FIG. 5 is a top plan view thereof;

FIG. 6 is a bottom plan view thereof;

FIG. 7 is a right side elevational view thereof;

FIG. 8 is a left side elevational view thereof;

FIG. 9 is a right side elevational view thereof with the displays in a tilted state; and,

FIG. 10 is a top plan view thereof with the rear display in a rotated state.

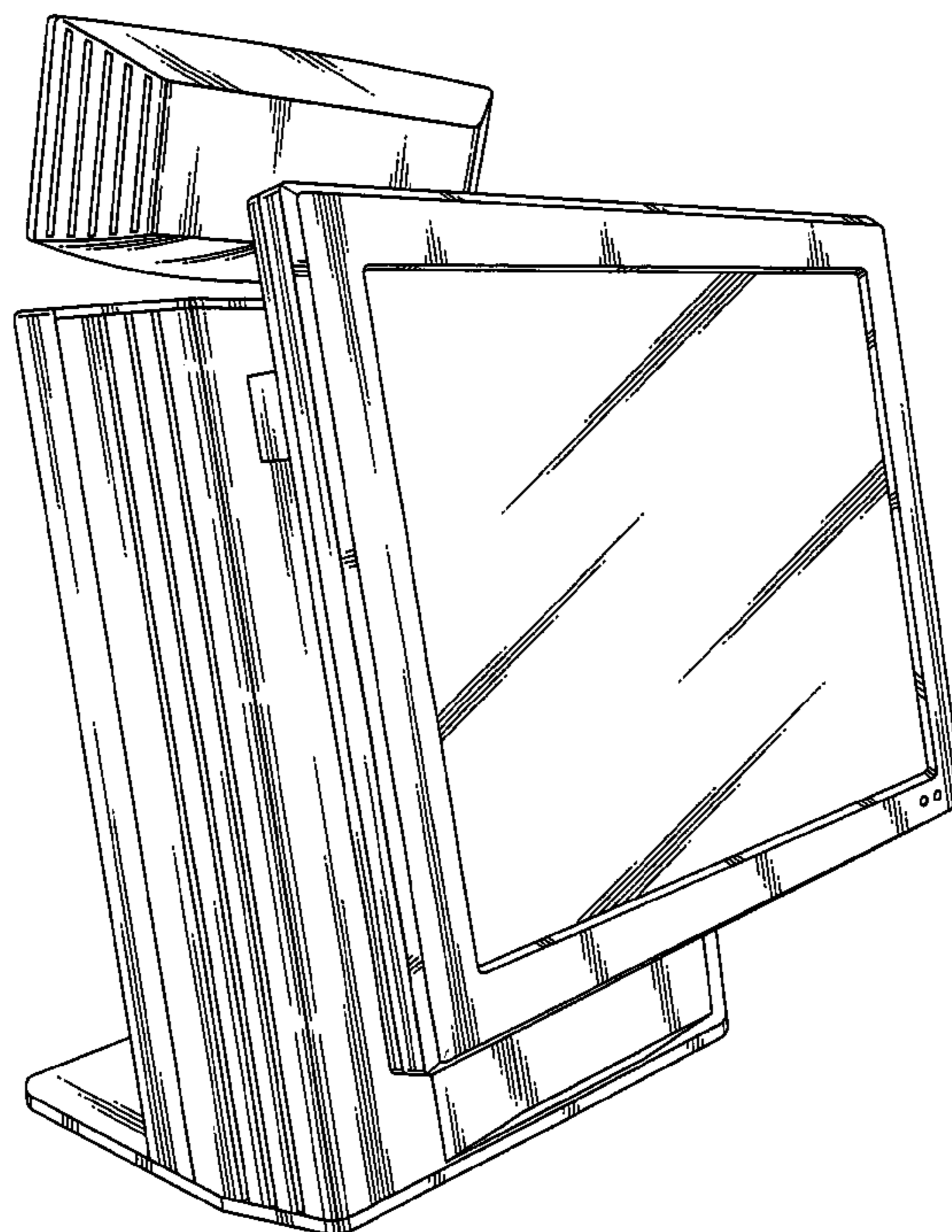
See application file for complete search history.

(56) **References Cited**

**U.S. PATENT DOCUMENTS**

D394,089 S \* 5/1998 Kawasaki et al. .... D14/374  
D411,180 S \* 6/1999 Vossoughi et al. .... D14/337  
D449,601 S \* 10/2001 Baldwin et al. .... D14/336  
D486,827 S \* 2/2004 Detallante ..... D18/4.5  
D539,248 S \* 3/2007 Wang et al. .... D14/134  
D540,321 S \* 4/2007 Hasegawa et al. .... D14/375

**1 Claim, 10 Drawing Sheets**



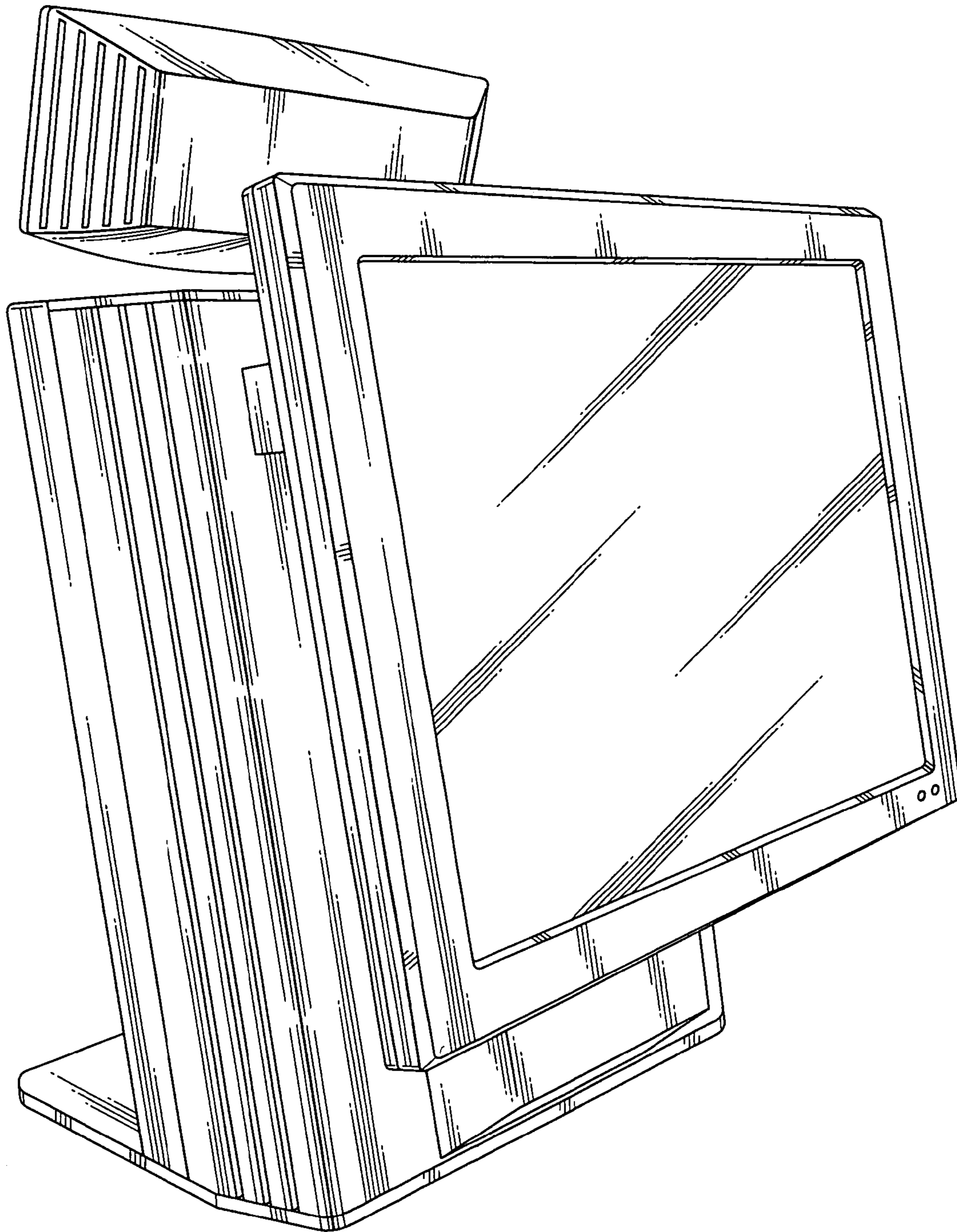


FIG. 1

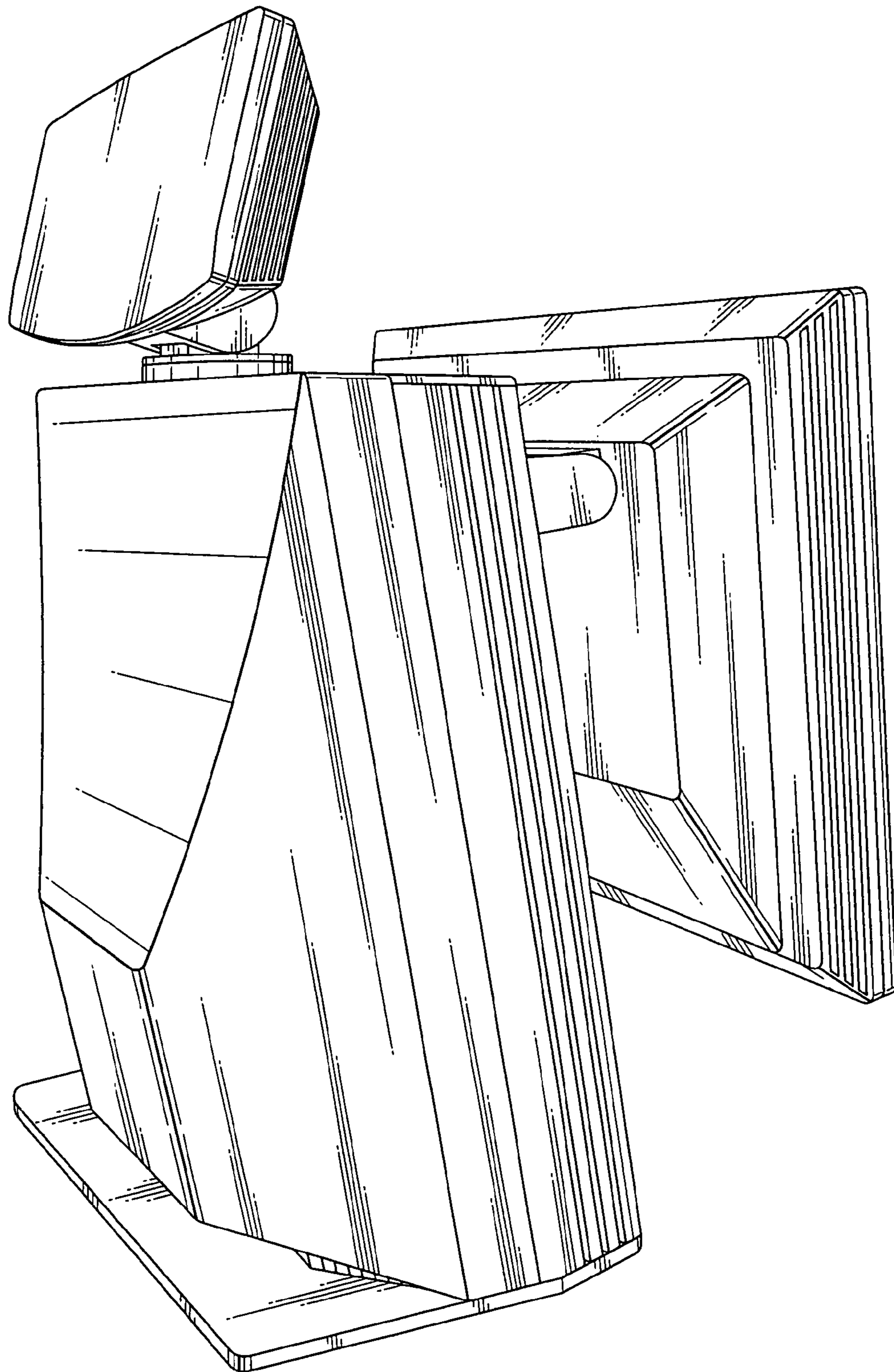


FIG.2

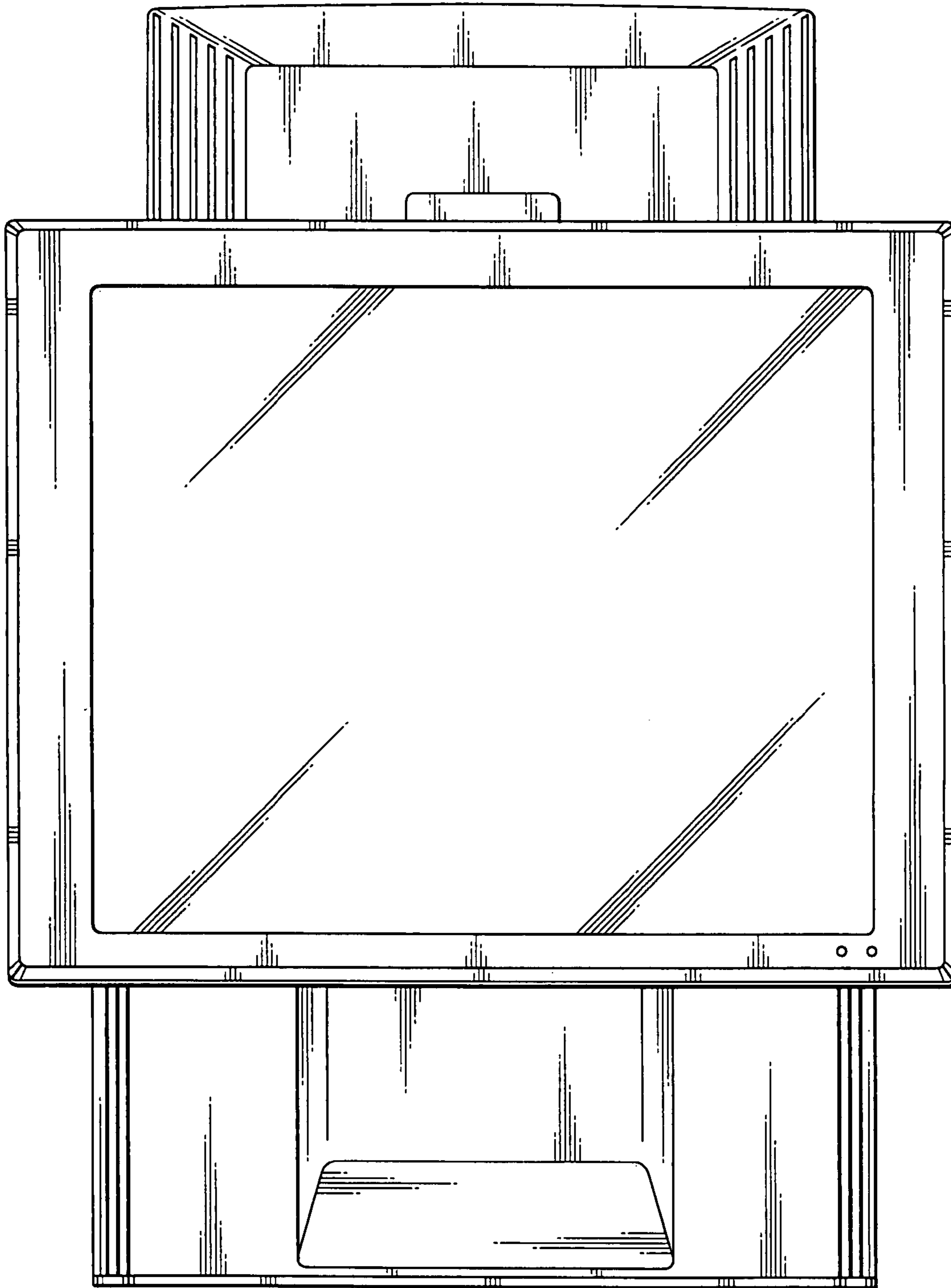


FIG.3

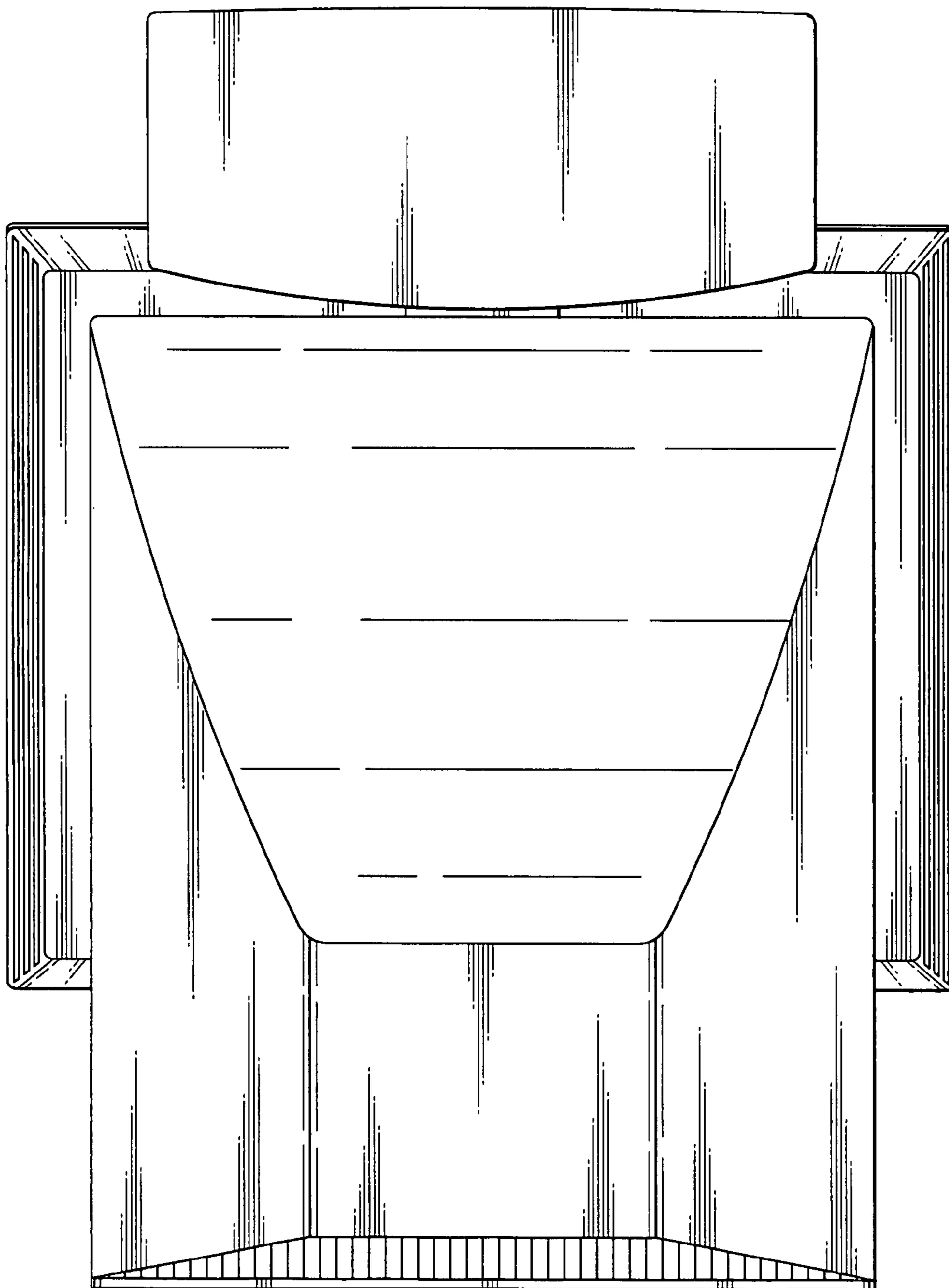


FIG.4

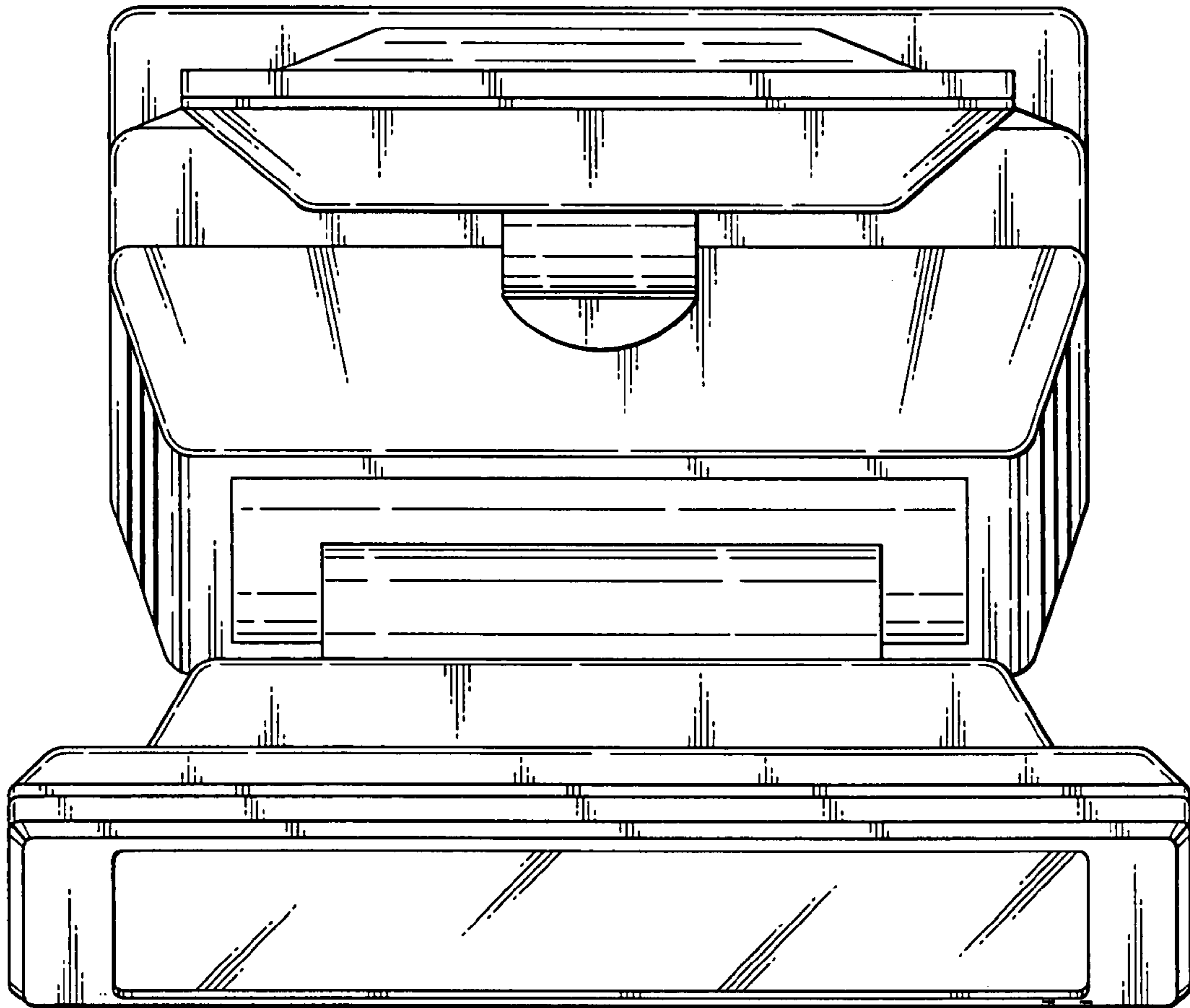


FIG.5

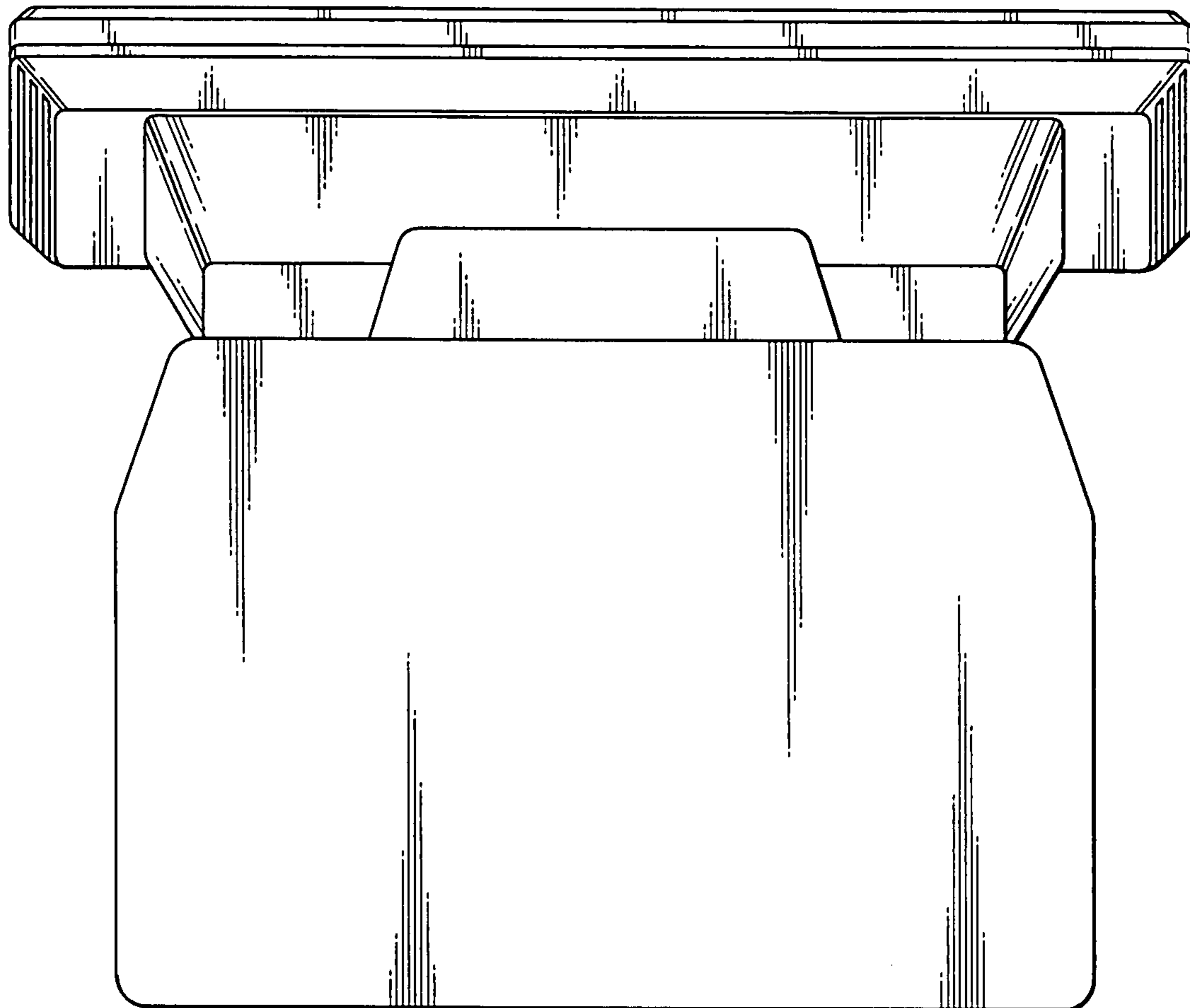


FIG.6

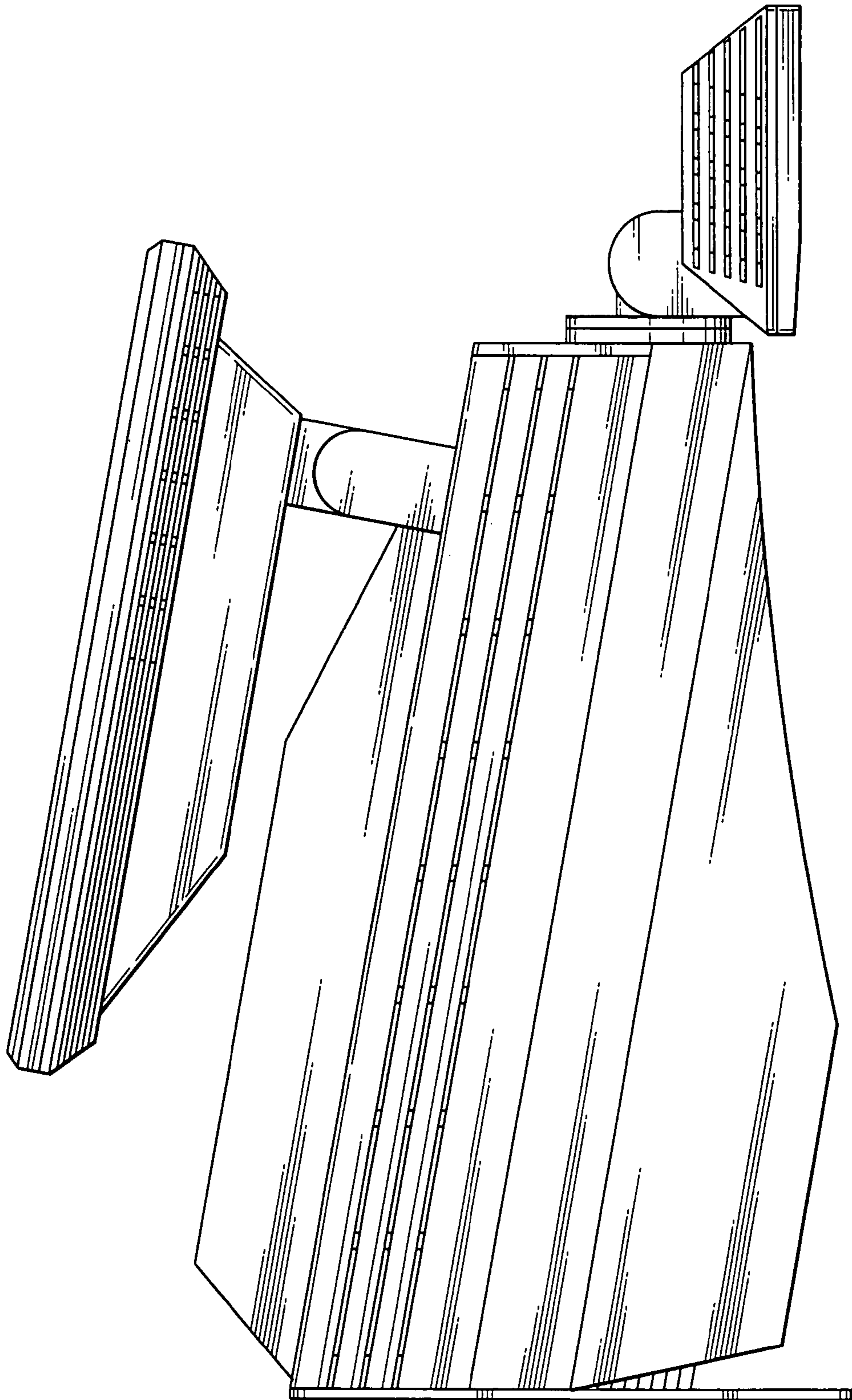


FIG. 7



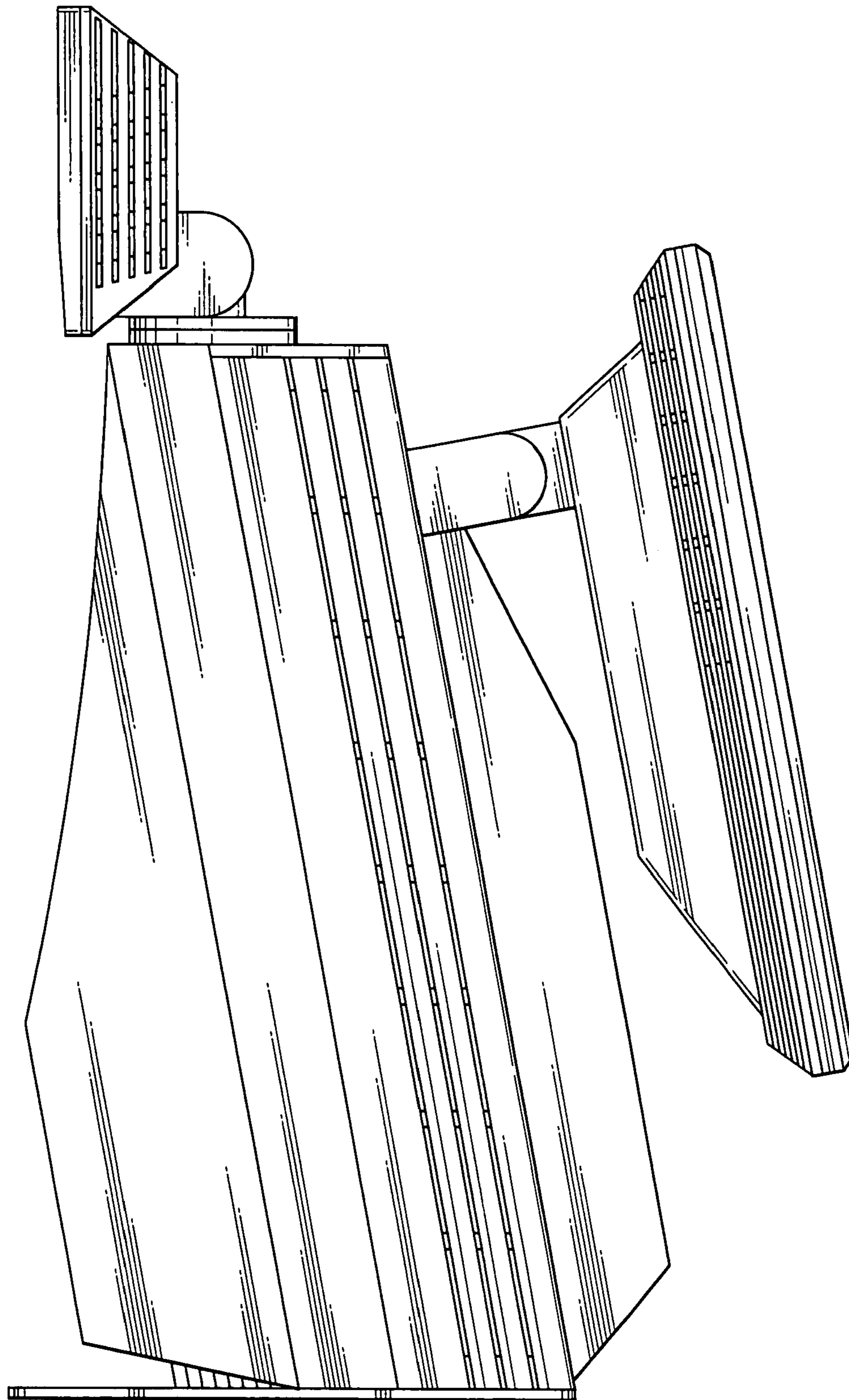


FIG.8

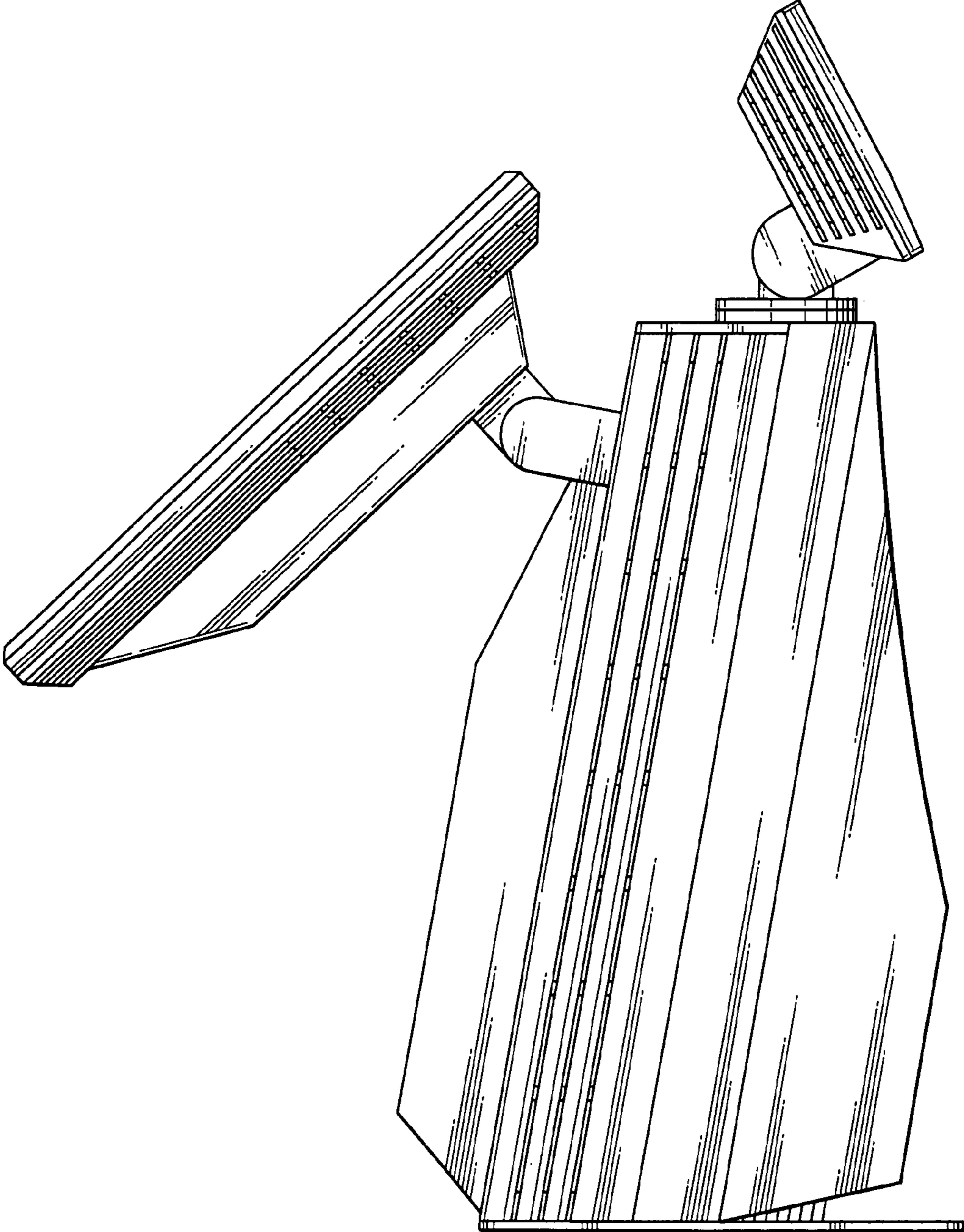


FIG.9

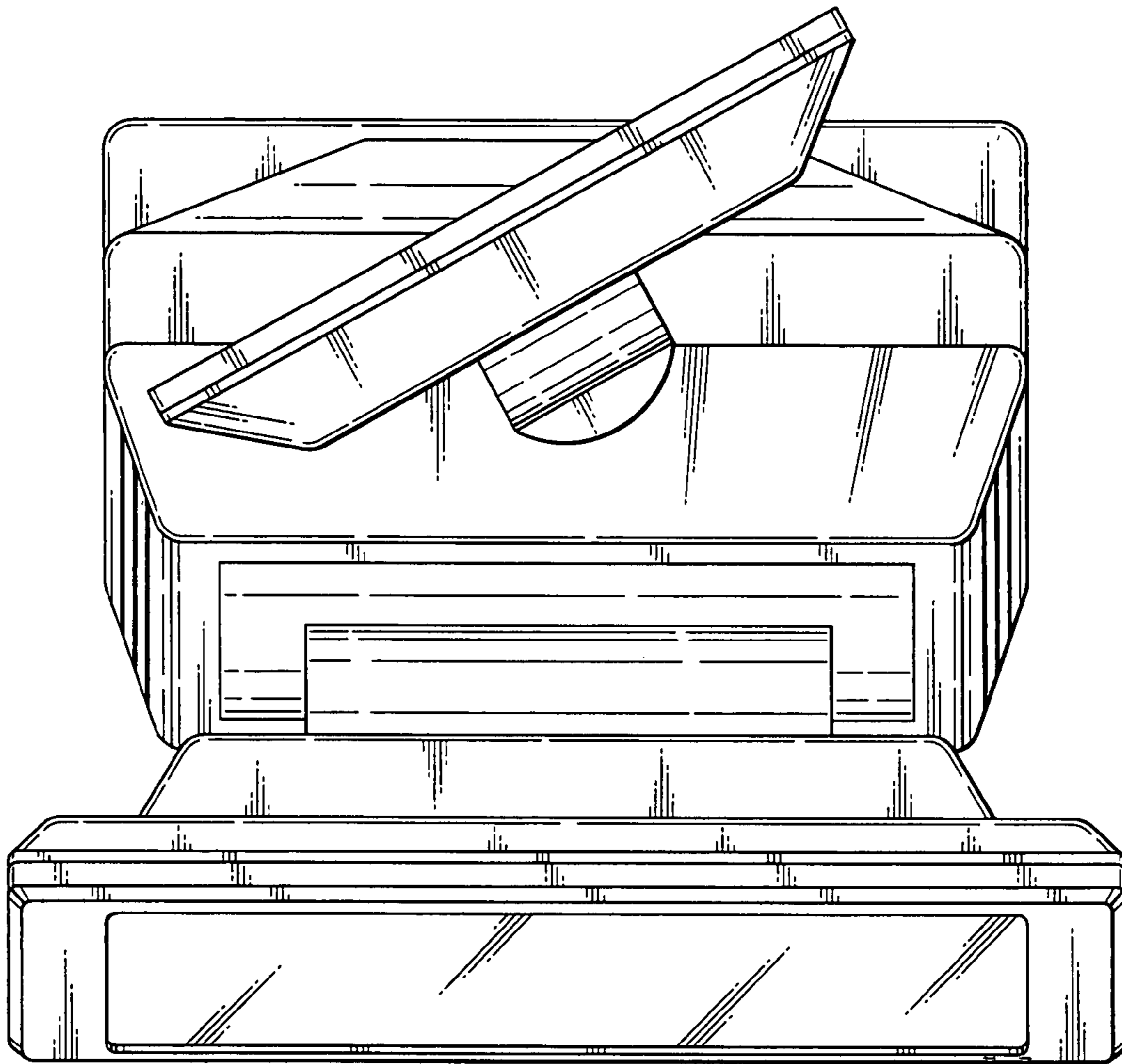


FIG.10