



US00D569896S

(12) **United States Design Patent**
Bergese et al.

(10) **Patent No.: US D569,896 S**

(45) **Date of Patent: ** May 27, 2008**

(54) **ELECTRONIC PERCUSSION**

D472,587 S * 4/2003 Chan D21/405
6,586,666 B2 * 7/2003 Abe 84/477 R

(75) Inventors: **Enrico Bergese**, Hamamatsu (JP);
Manabu Kawada, Hamamatsu (JP);
Akie Hinokio, Hamamatsu (JP)

FOREIGN PATENT DOCUMENTS

JP 07199943 A * 8/1995
JP 2002169546 A * 6/2002

(73) Assignee: **Yamaha Corporation**, Shizuoka (JP)

* cited by examiner

(**) Term: **14 Years**

Primary Examiner—Ian Simmons

Assistant Examiner—Rashida Johnson

(21) Appl. No.: **29/274,194**

(74) *Attorney, Agent, or Firm*—Sughrue Mion, PLLC

(22) Filed: **Apr. 4, 2007**

(57) **CLAIM**

(30) **Foreign Application Priority Data**

Dec. 28, 2006 (JP) 2006-036227

The ornamental design for an electronic percussion, as shown.

(51) **LOC (8) Cl.** **17-04**

DESCRIPTION

(52) **U.S. Cl.** **D17/22**

(58) **Field of Classification Search** D17/22,
D17/99; 84/104, 411 R, 420, 411 P
See application file for complete search history.

FIG. 1 is a perspective view of the top, front and right side of an electronic percussion showing our new design;

FIG. 2 is a top plan view thereof;

FIG. 3 is a front elevational view thereof;

FIG. 4 is a rear elevational view thereof;

FIG. 5 is a left side elevational view thereof;

FIG. 6 is a right side elevational view thereof; and,

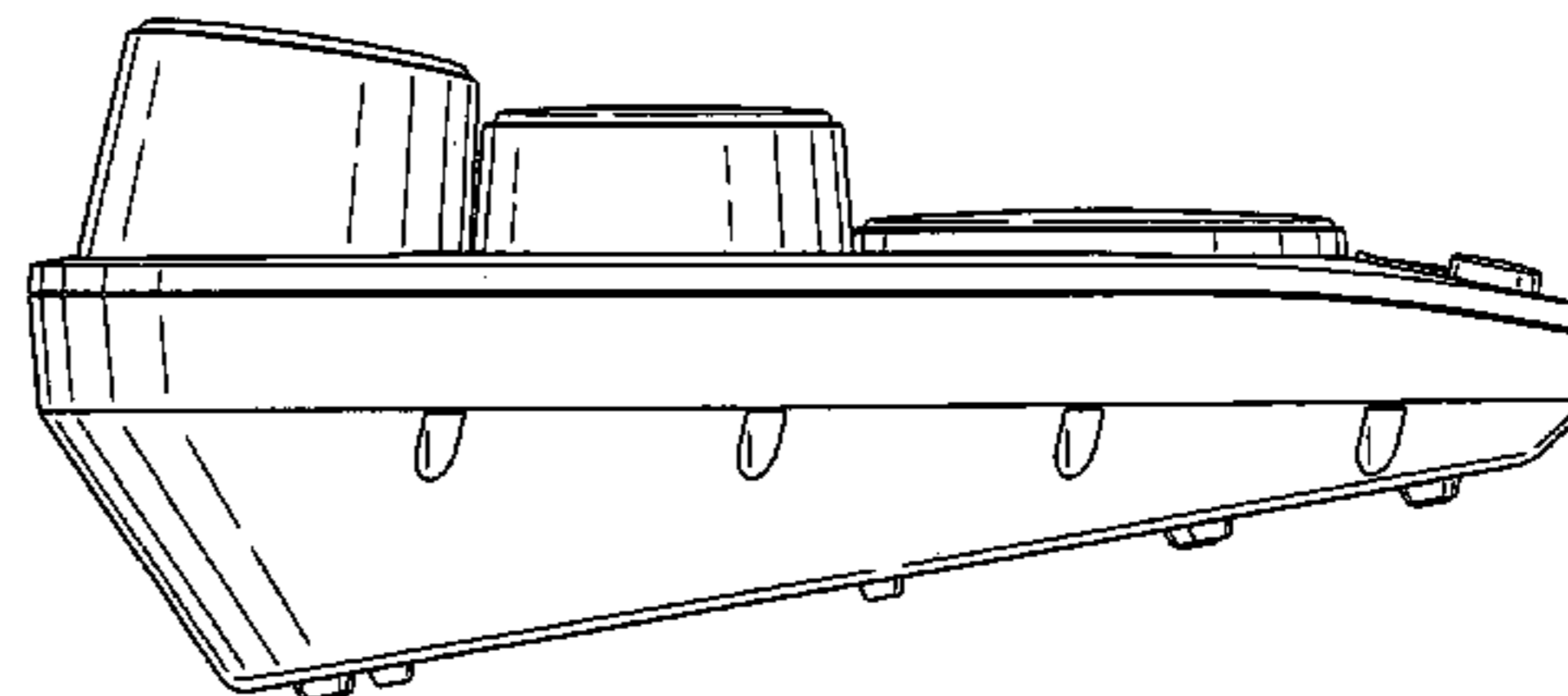
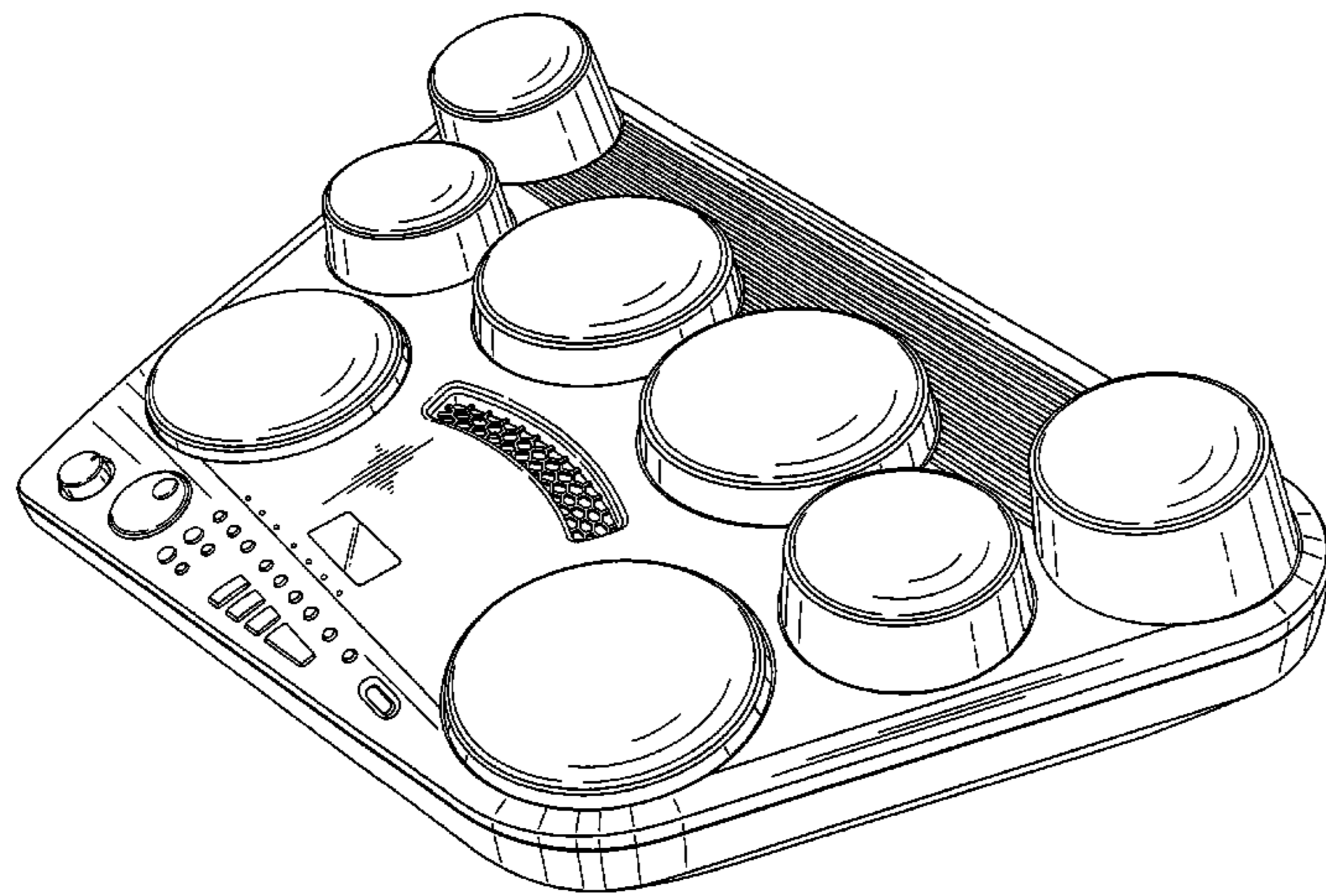
FIG. 7 is a bottom plan view thereof.

(56) **References Cited**

U.S. PATENT DOCUMENTS

D328,915 S * 8/1992 Sato D17/22
D357,271 S * 4/1995 Hoshina D17/22
D387,374 S * 12/1997 Kawada D17/22
D401,612 S * 11/1998 Takei D17/22
D455,774 S * 4/2002 Senda et al. D17/22

1 Claim, 5 Drawing Sheets



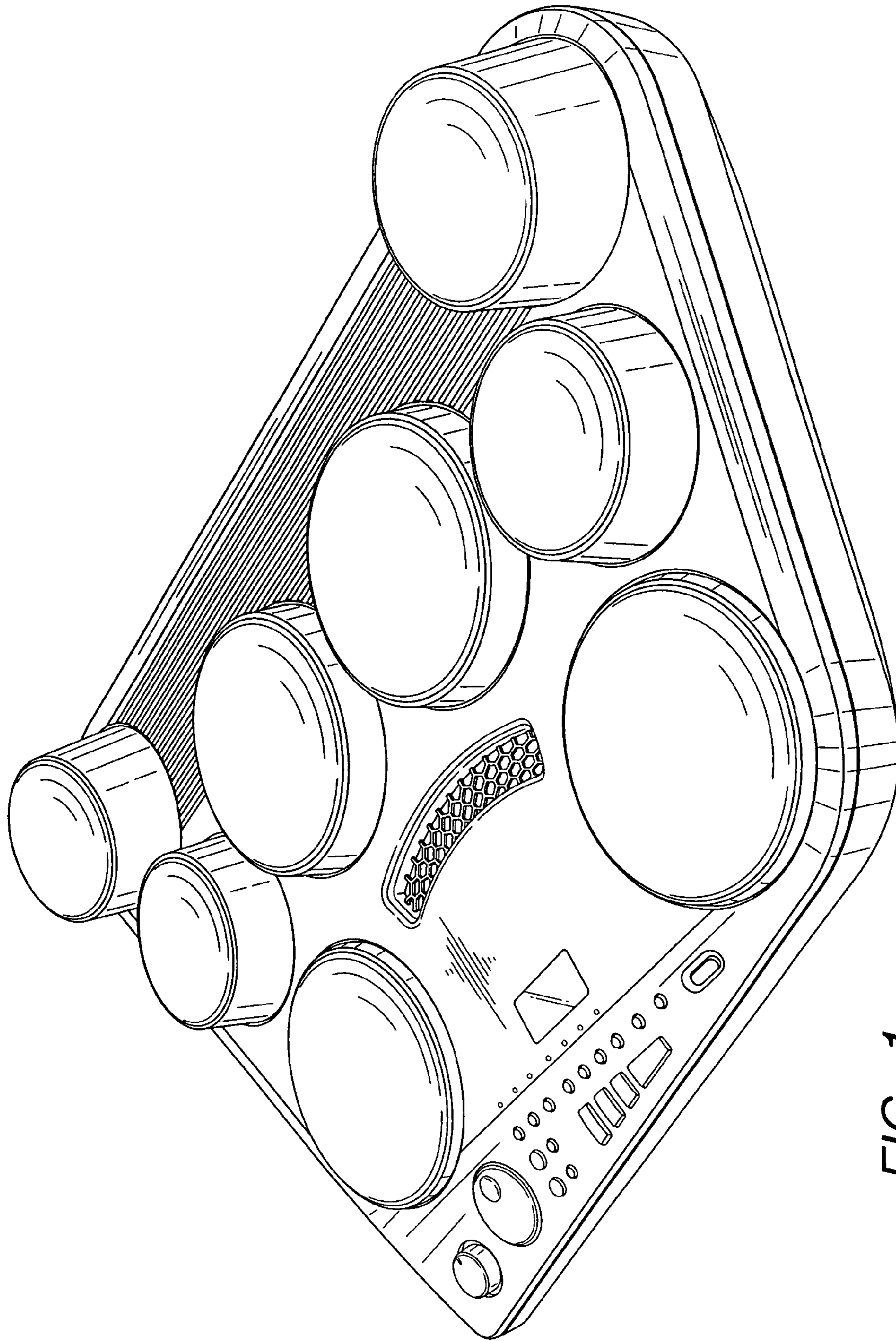


FIG. 1

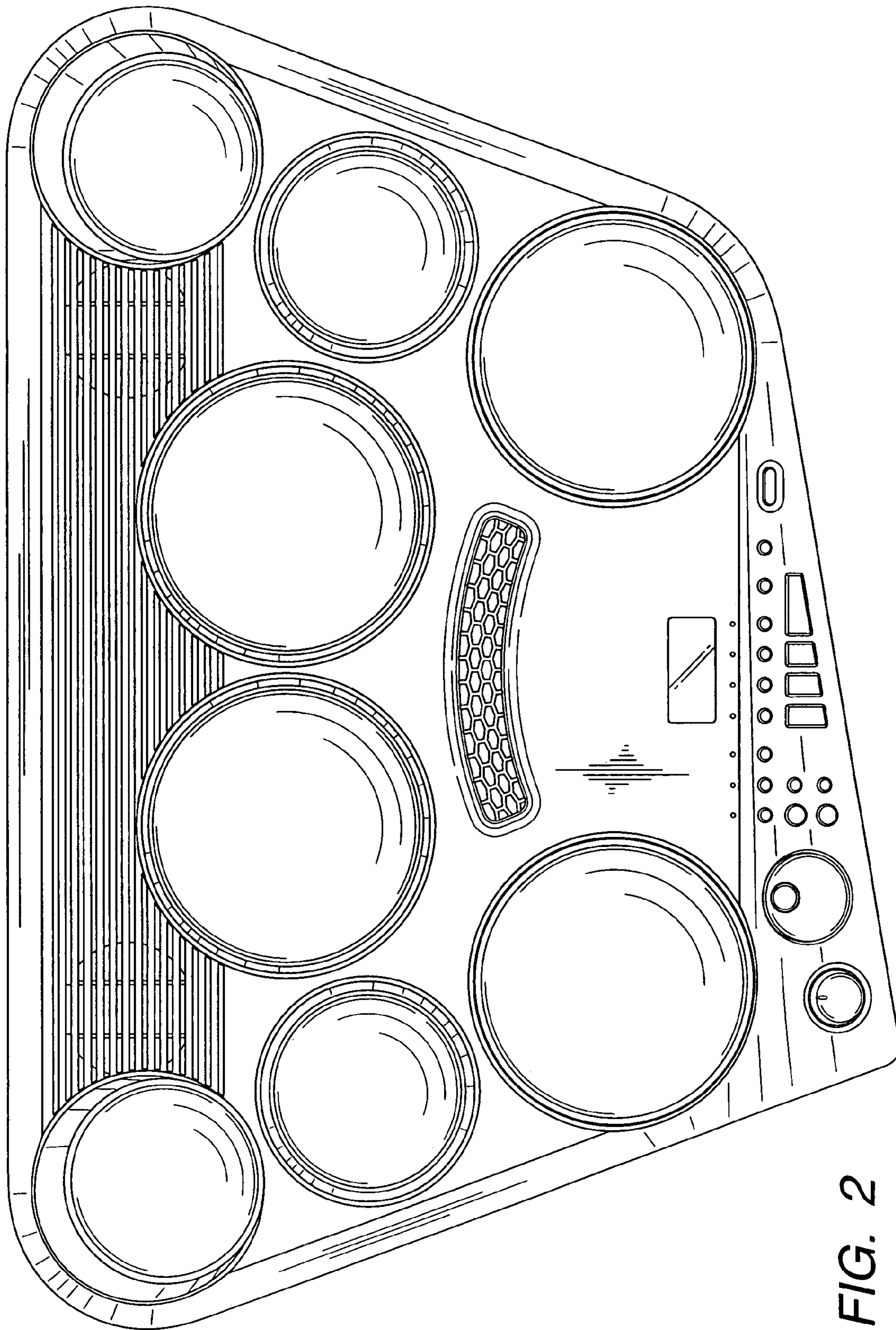


FIG. 2

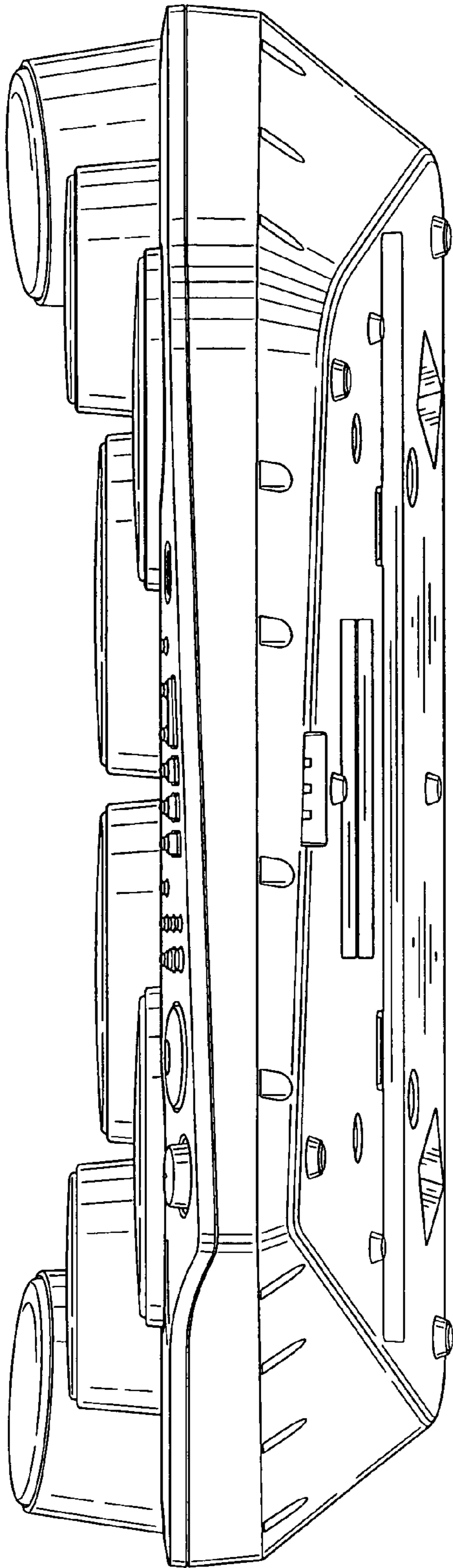


FIG. 3

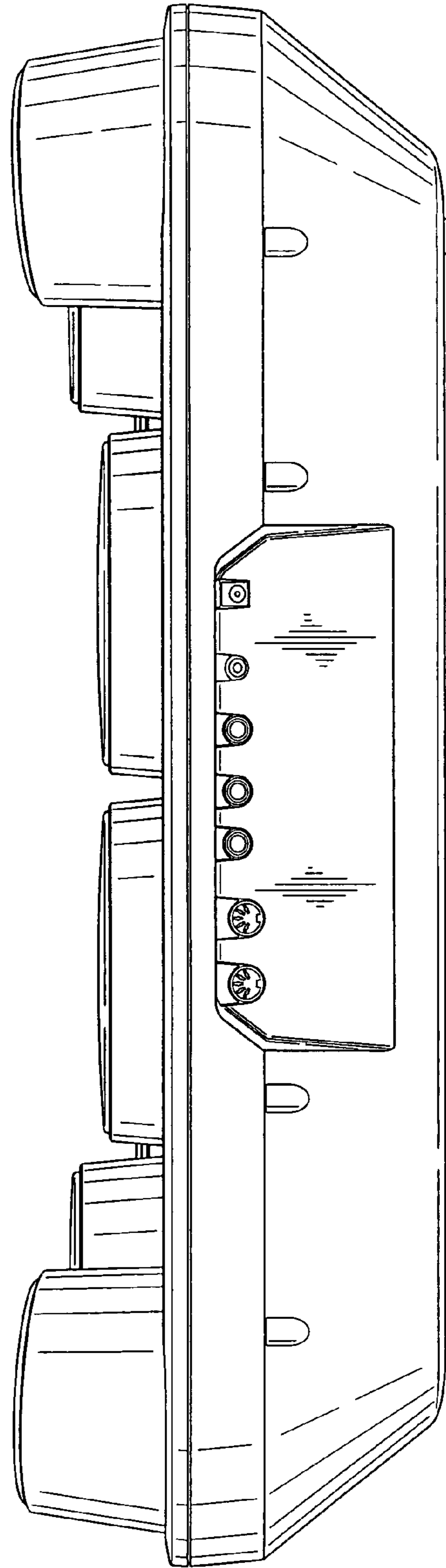


FIG. 4

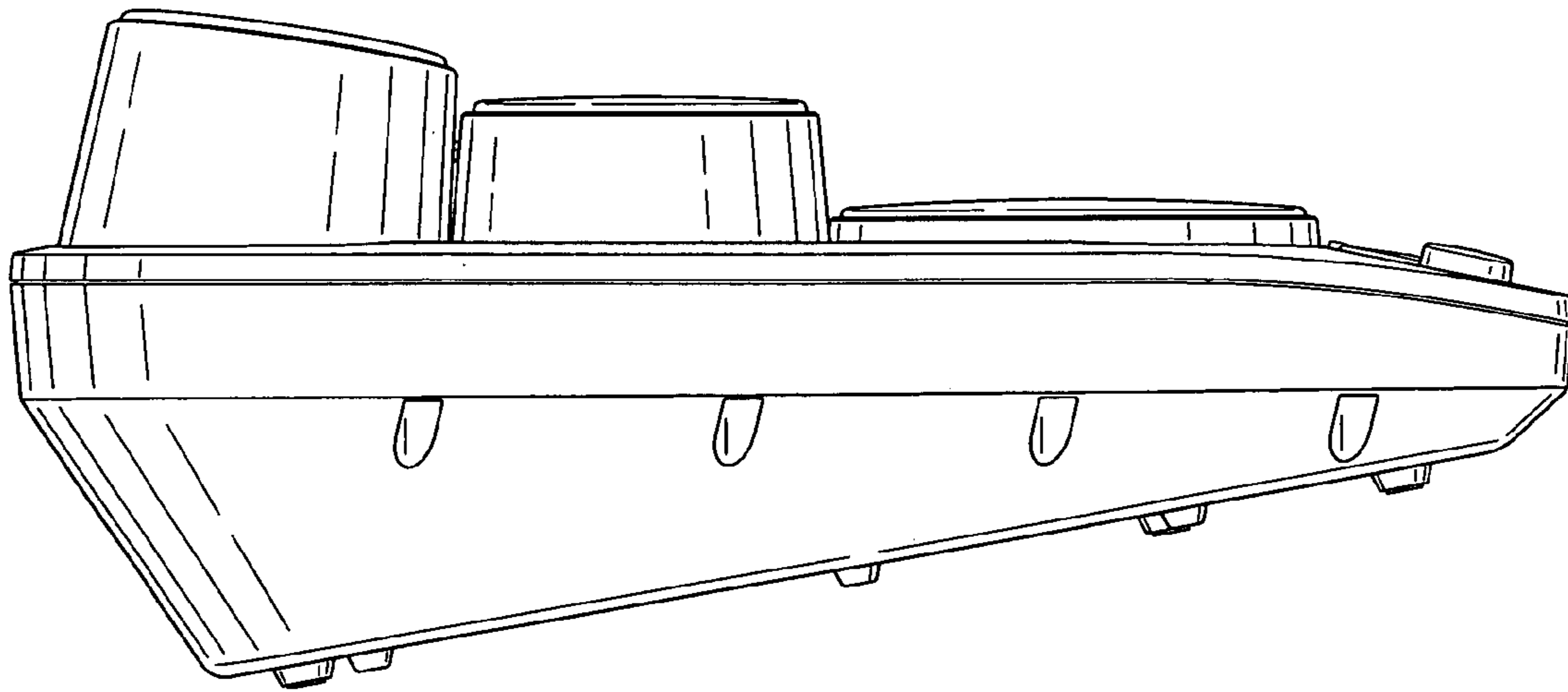


FIG. 5

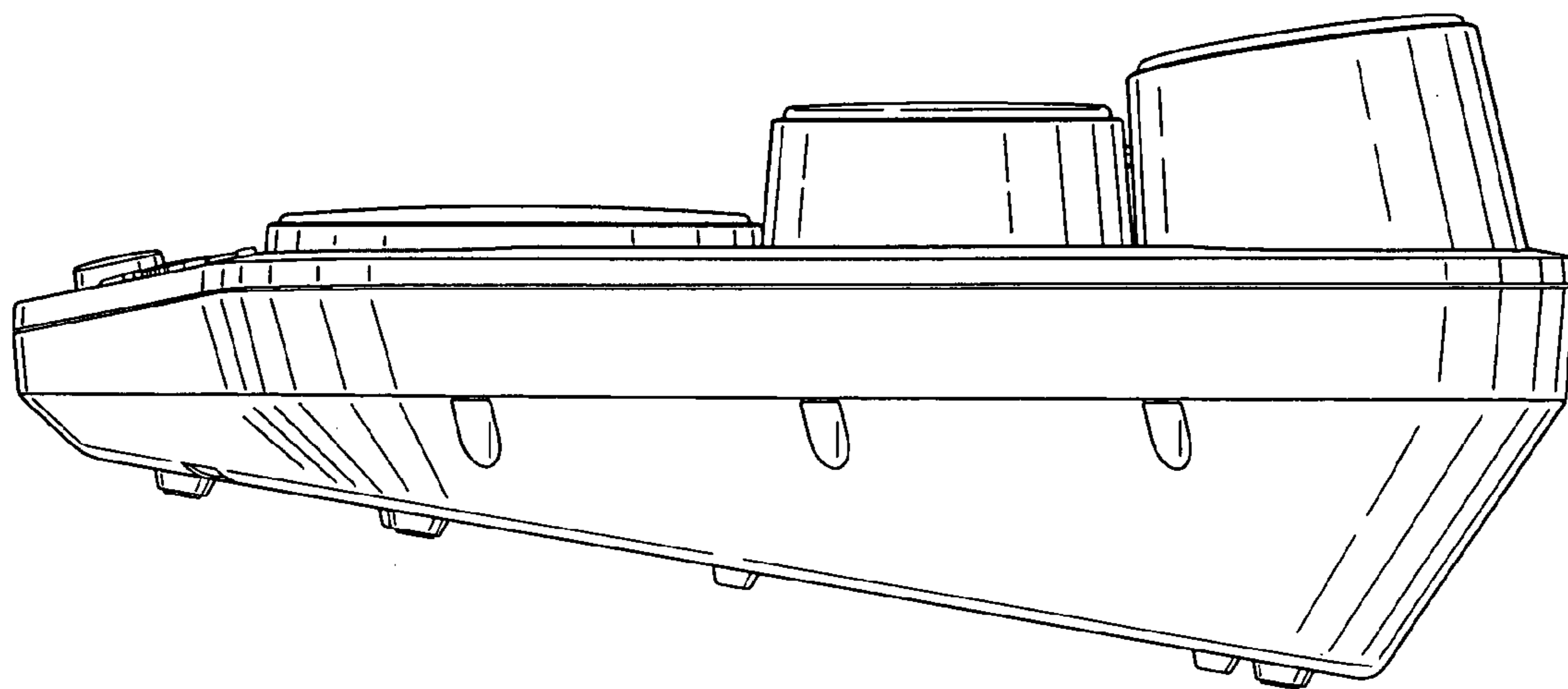


FIG. 6

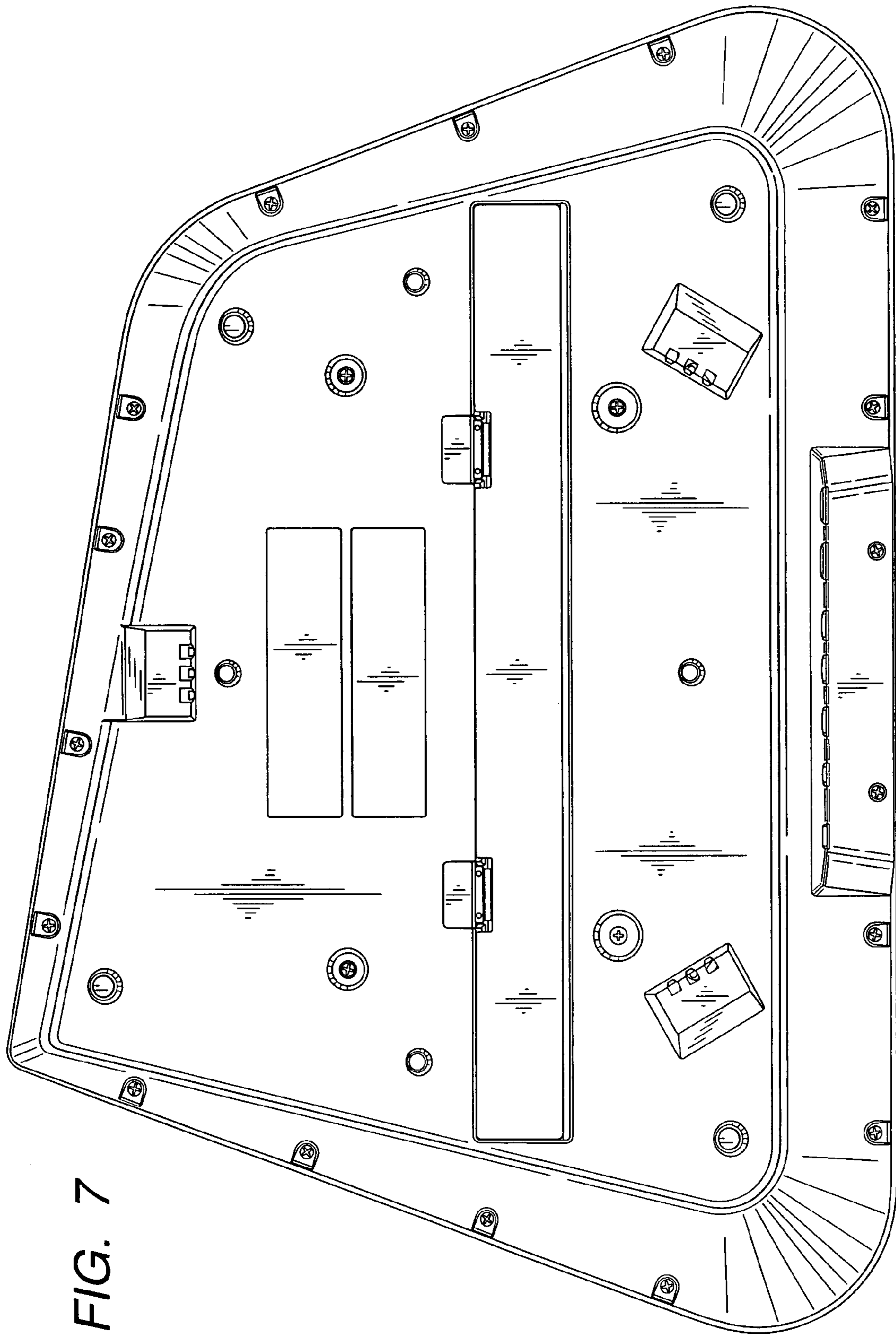


FIG. 7