



US00D569891S

(12) **United States Design Patent** (10) **Patent No.:** **US D569,891 S**
Dittmer et al. (45) **Date of Patent:** **** May 27, 2008**

(54) **PROJECTOR MOUNT COUPLER**
(75) Inventors: **Jay Dittmer**, Prior Lake, MN (US);
Paul Smith, Savage, MN (US)
(73) Assignee: **CSAV, Inc.**, Savage, MN (US)
(**) Term: **14 Years**
(21) Appl. No.: **29/259,358**
(22) Filed: **May 5, 2006**

(51) **LOC (8) Cl.** **16-02**
(52) **U.S. Cl.** **D16/235**
(58) **Field of Classification Search** D16/235-236,
D16/242, 245; D8/355, 363, 373, 380, 382-383;
352/243; 396/419-422, 426, 428, 427; 248/527,
248/917, 924, 274.1, 284.1, 291.1, 519, 126,
248/323, 221.11, 523, 324; D14/238, 214,
D14/224

See application file for complete search history.

(56) **References Cited**

U.S. PATENT DOCUMENTS

4,080,629 A 3/1978 Hammond et al.
4,225,881 A 9/1980 Tovi
D308,067 S * 5/1990 Mednick D16/245
4,964,606 A 10/1990 Beam et al.
5,551,658 A 9/1996 Dittmer
5,807,012 A * 9/1998 Emmert et al. 248/126
D412,435 S * 8/1999 Cultice, Jr. D8/397
5,938,161 A 8/1999 Takeuchi et al.
6,042,068 A 3/2000 Tcherny
6,341,927 B2 1/2002 Hampson et al.
6,527,238 B2 3/2003 Shental et al.
6,595,379 B1 7/2003 Powell
6,606,887 B1 8/2003 Zimmer et al.
6,619,161 B1 9/2003 Blair
D484,036 S * 12/2003 Koch D8/397
6,708,940 B2 3/2004 Ligertwood
D504,305 S * 4/2005 Gillespie et al. D8/355

D514,612 S * 2/2006 Boele D16/235
D517,904 S * 3/2006 Alkalay D8/382
D520,351 S * 5/2006 Alkalay et al. D8/382
7,156,359 B2 * 1/2007 Dittmer et al. 248/917
2003/0234335 A1 * 12/2003 Umberg 248/551
2004/0211872 A1 10/2004 Dittmer et al.
2006/0284046 A1 * 12/2006 Umberg 248/551

OTHER PUBLICATIONS

Chief Manufacturing Inc., RPA Series Projector Mount with All-Points™ Security System, *Chief Manufacturing Inc.*, Brochure, 2004, 4 pages.

* cited by examiner

Primary Examiner—Ian Simmons

Assistant Examiner—Wan Laymon

(74) *Attorney, Agent, or Firm*—Patterson, Thuente, Skaar & Christensen, PA

(57) **CLAIM**

We claim the ornamental design for projector mount coupler, as shown.

DESCRIPTION

FIG. 1 is a front and right side perspective view of a projector mount coupler showing our new design;

FIG. 2 is a front and left side perspective view thereof opposite that shown in FIG. 1;

FIG. 3 is a rear elevation view thereof;

FIG. 4 is a front elevation view thereof;

FIG. 5 is a right side elevation view thereof;

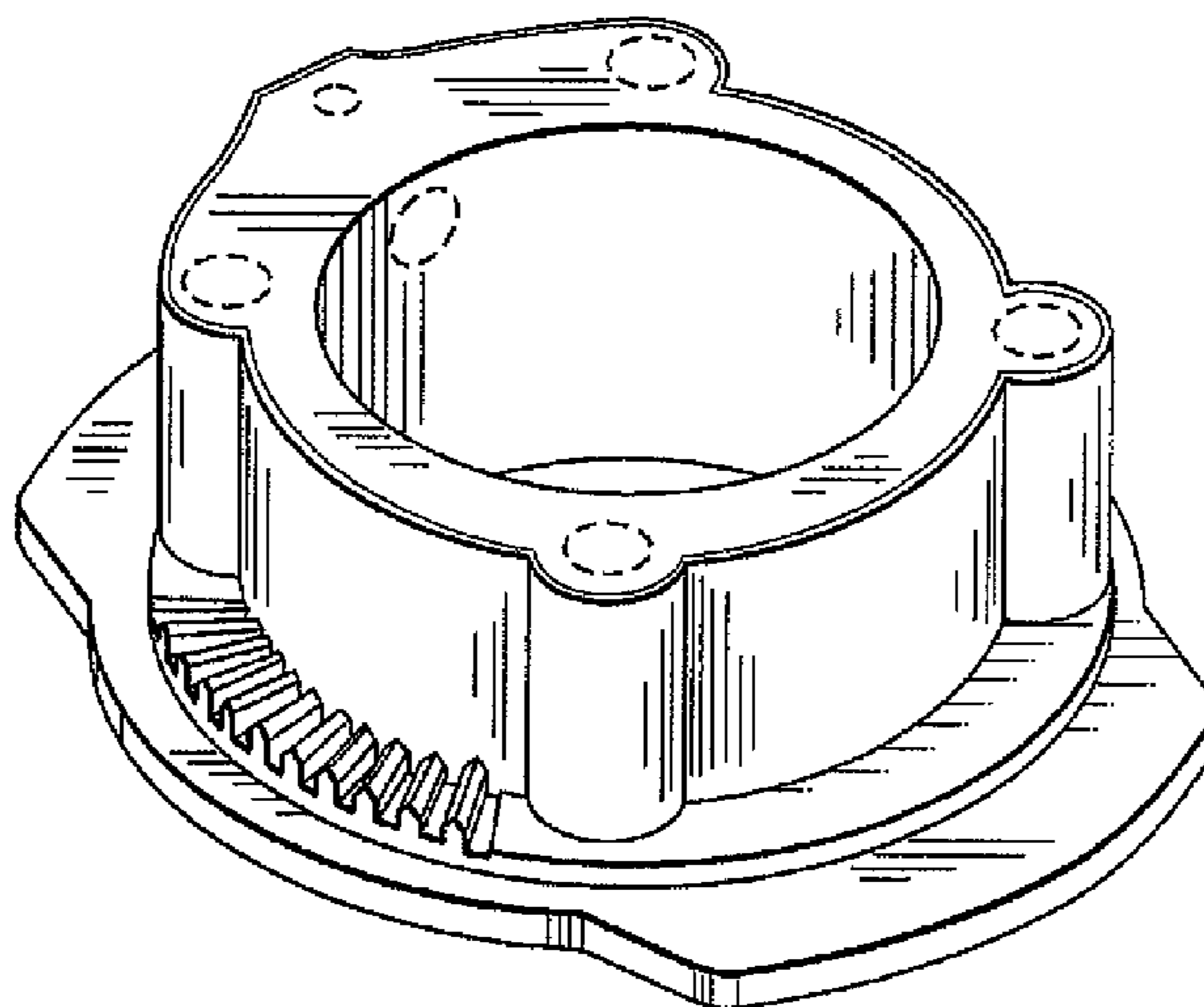
FIG. 6 is a left side elevation view thereof;

FIG. 7 is a top plan view thereof; and,

FIG. 8 is a bottom plan view thereof.

The broken lines in the Figures are for illustrative purposes only and form no part of the claimed design.

1 Claim, 3 Drawing Sheets



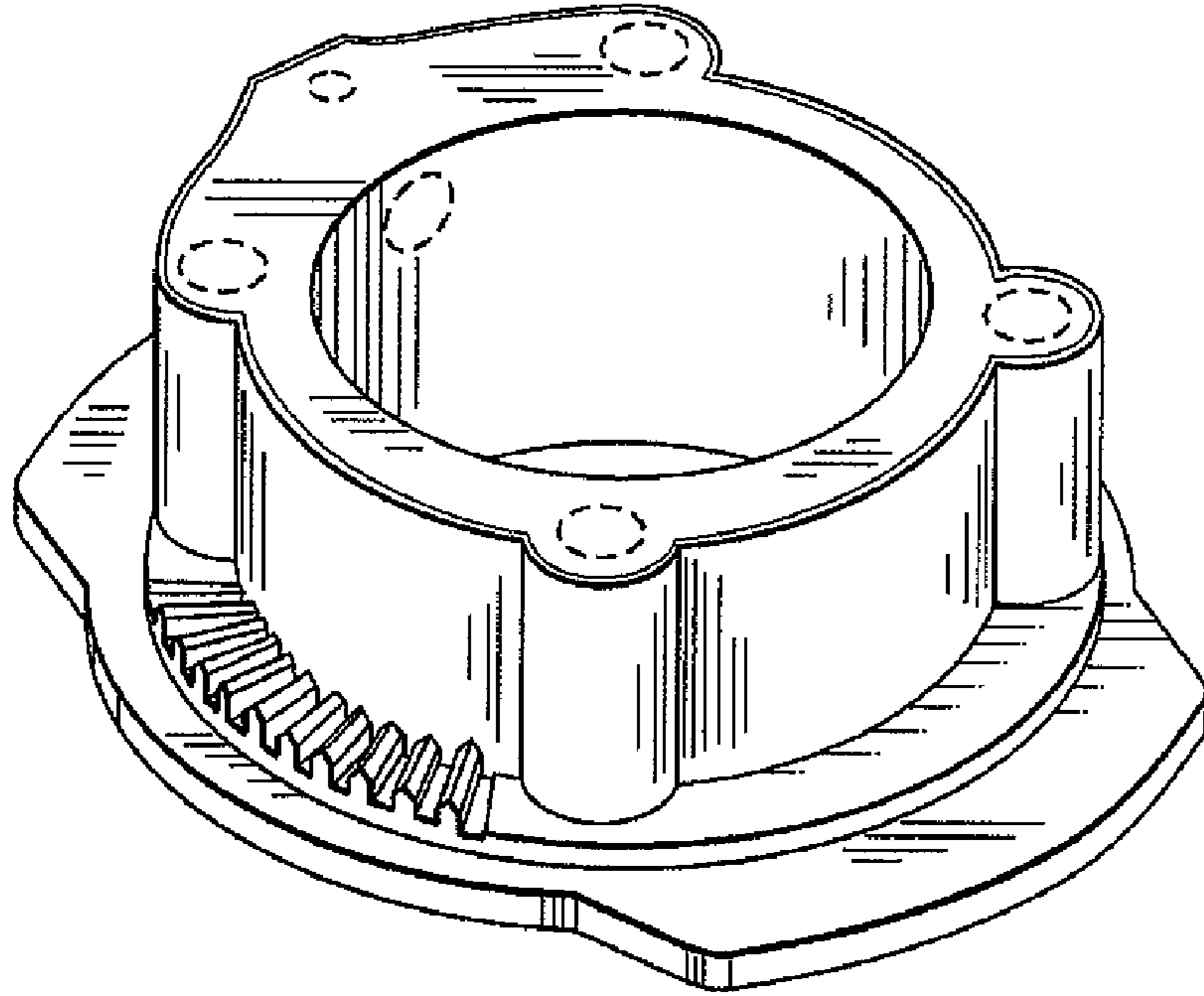


Fig. 1.

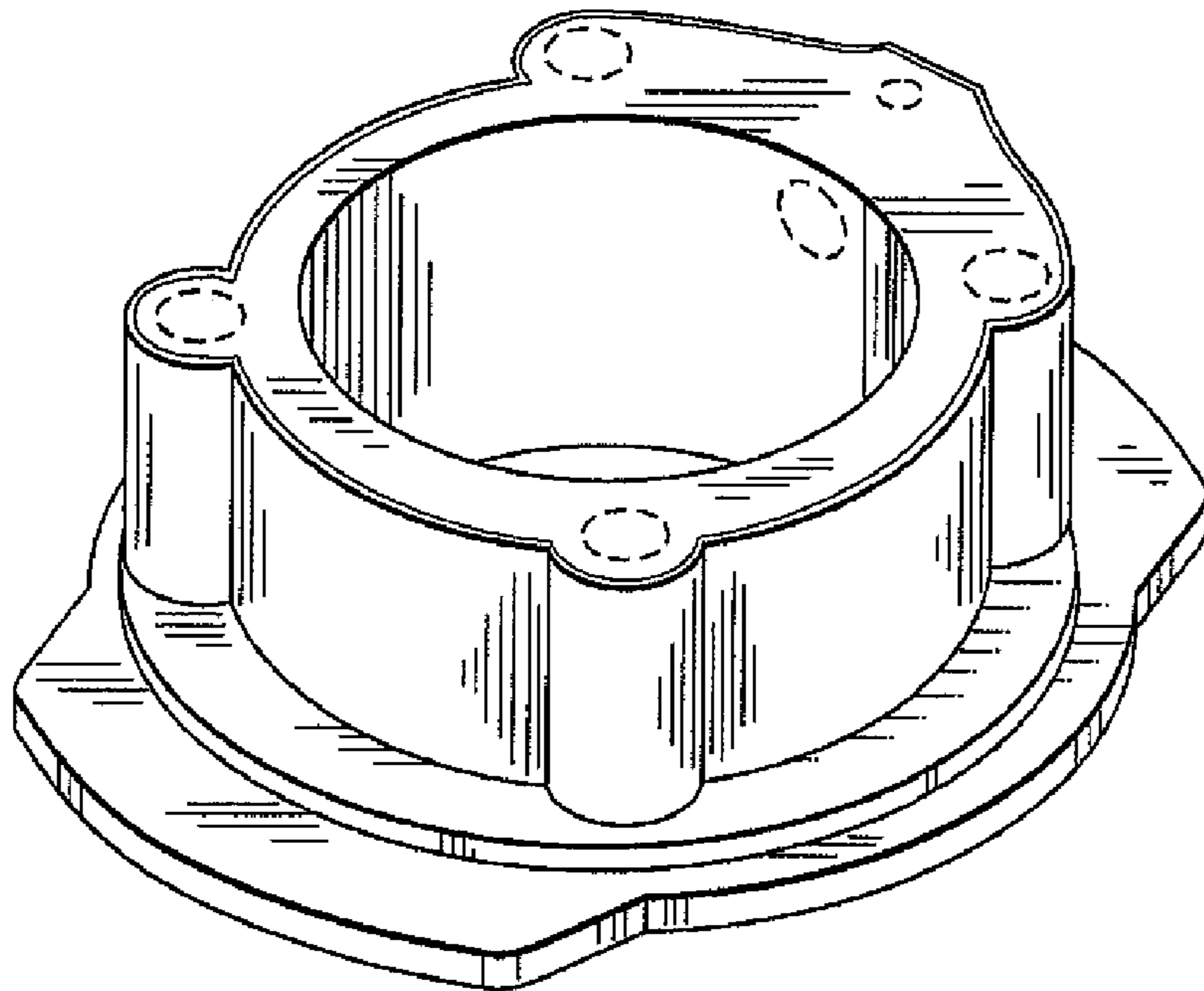


Fig. 2.

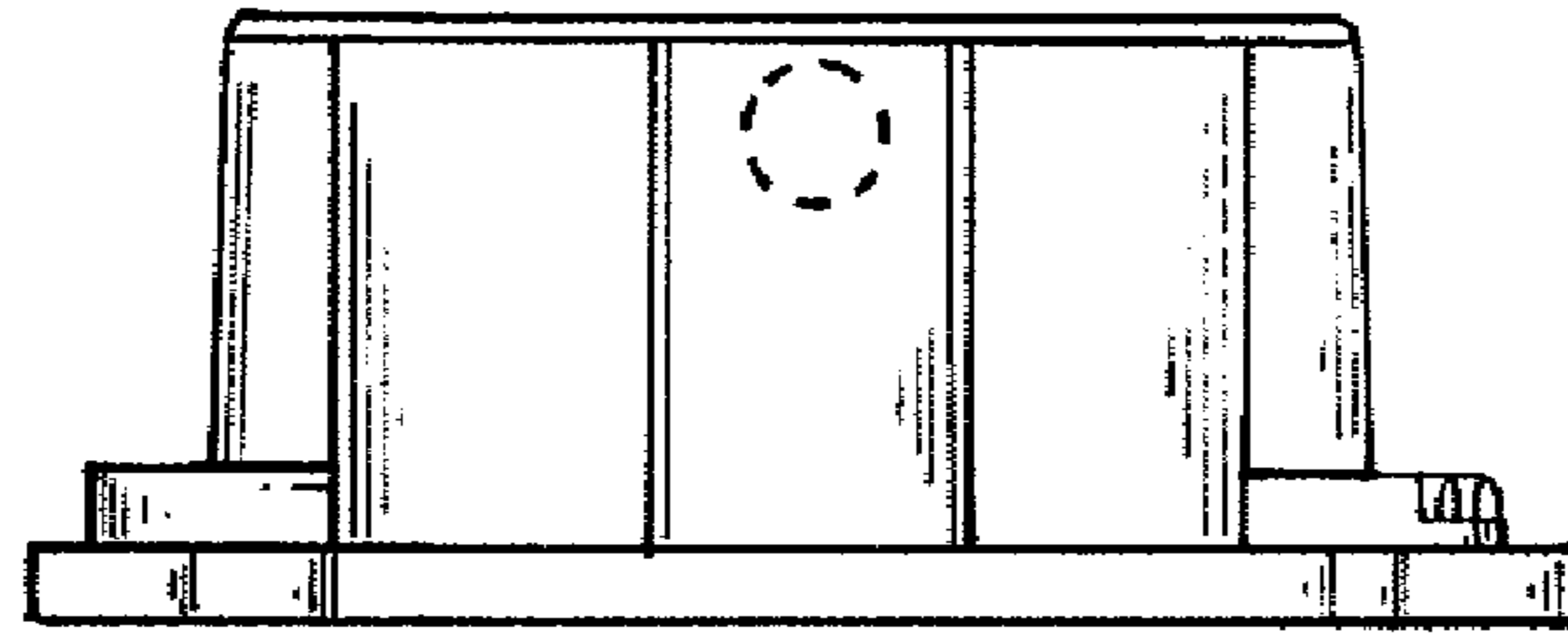


Fig. 3.

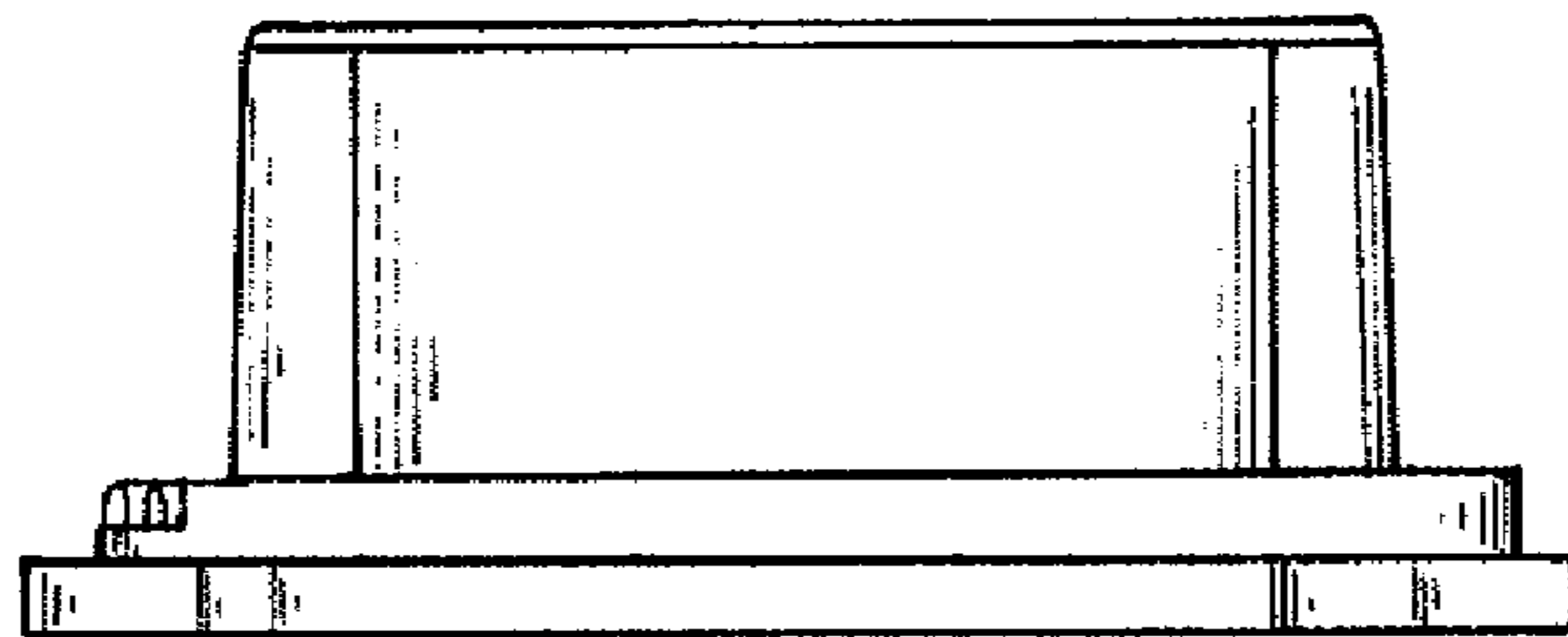


Fig. 4.

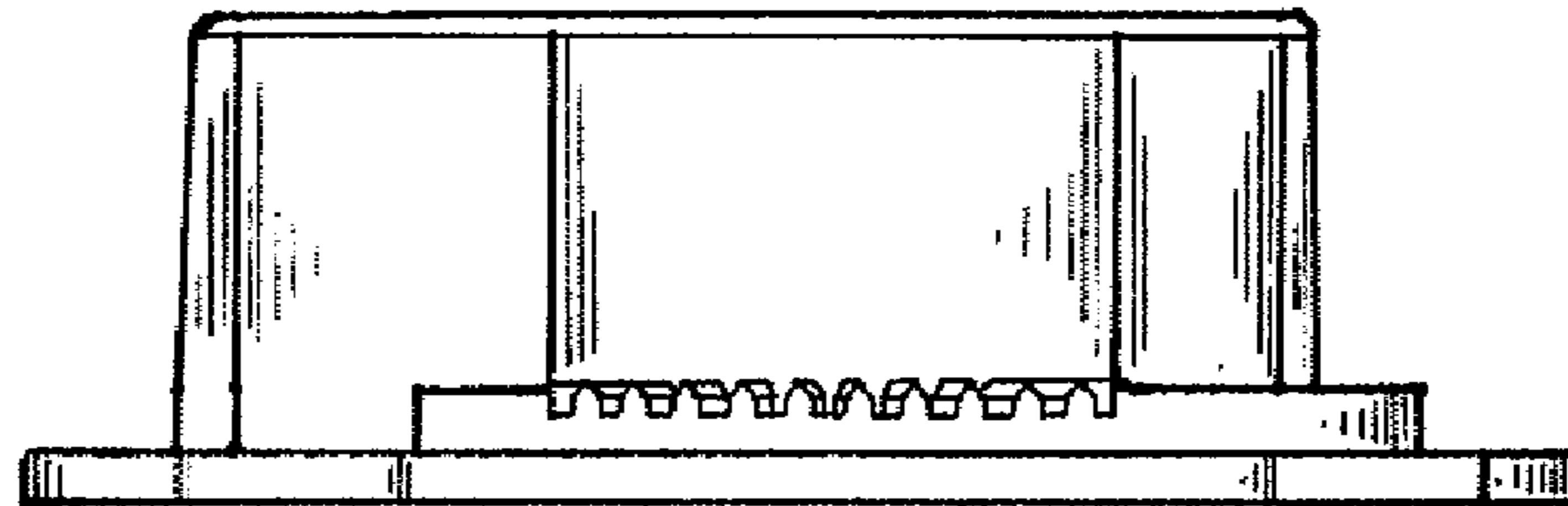


Fig. 5.

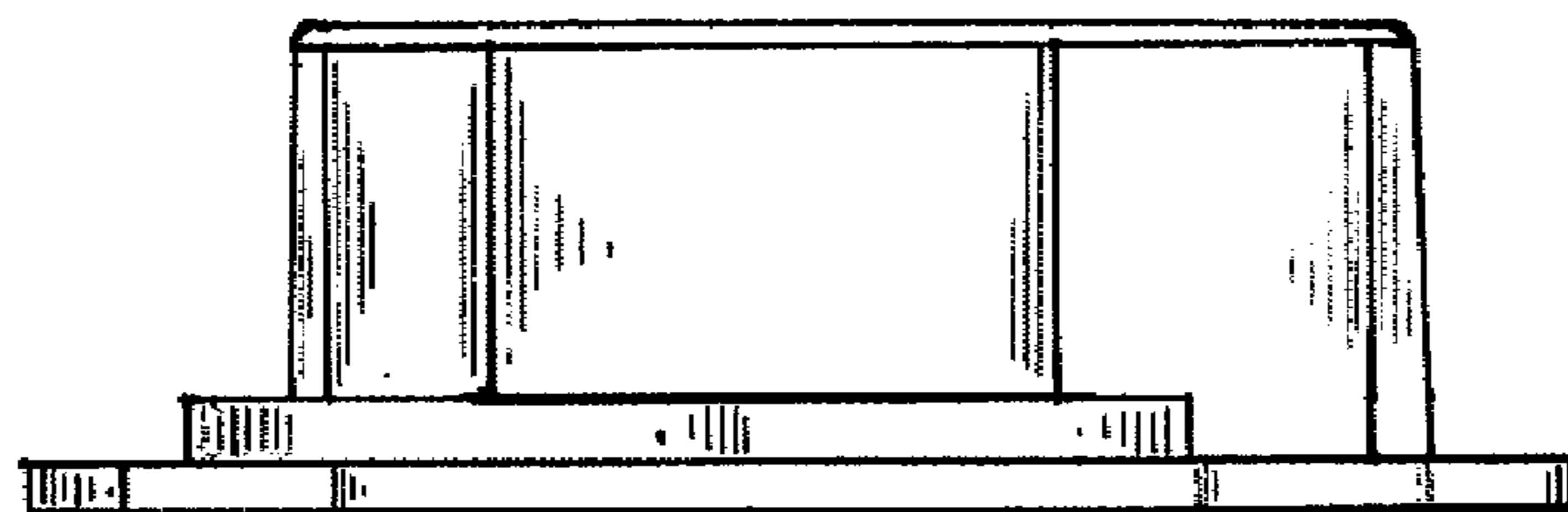


Fig. 6.

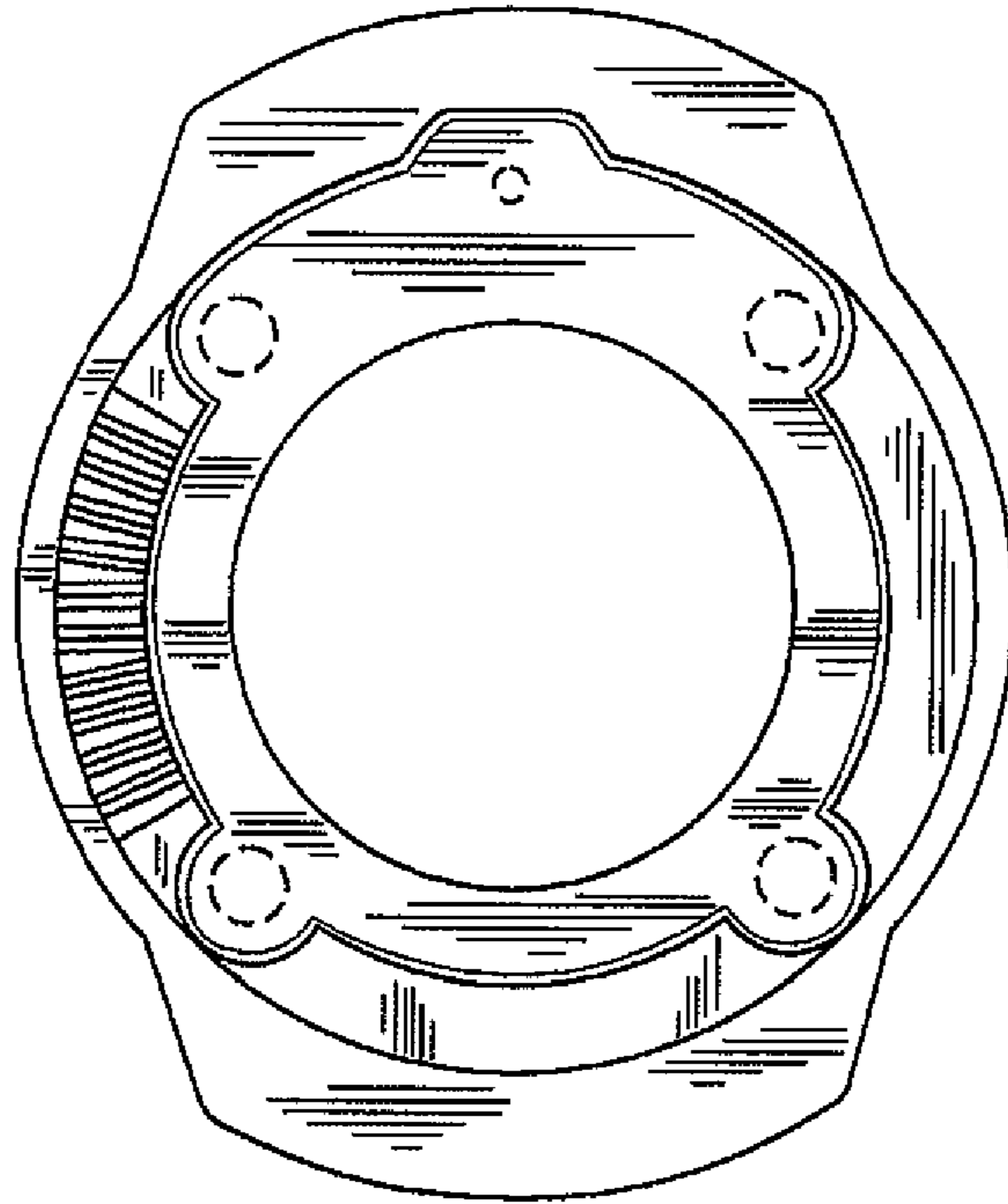


Fig. 7.

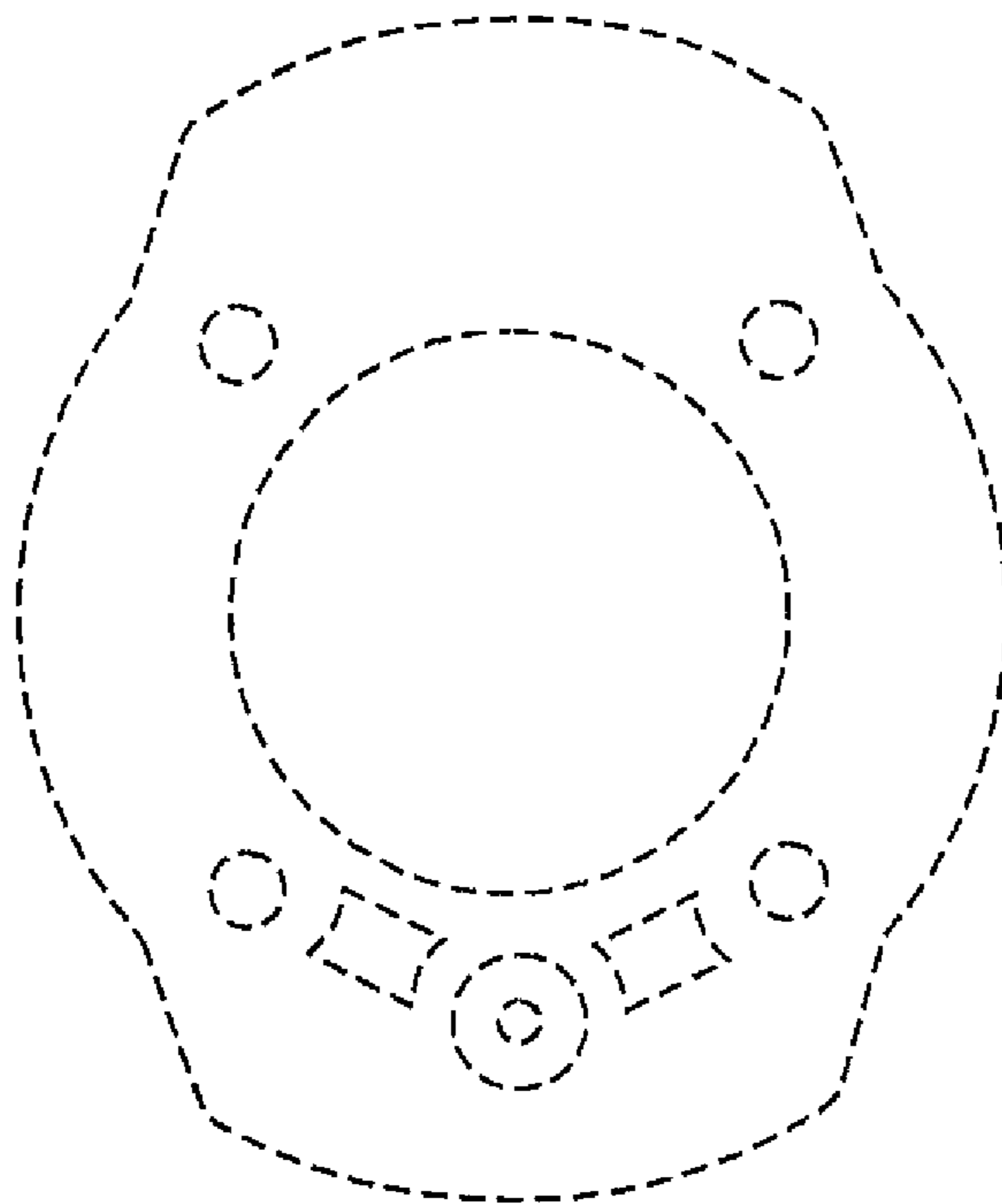


Fig. 8.