



US00D569889S

(12) **United States Design Patent** (10) **Patent No.:** **US D569,889 S**
Nishiwaki et al. (45) **Date of Patent:** **** *May 27, 2008**

(54) **VIDEO CAMERA WITH VIDEO DISC RECORDER**

(75) Inventors: **Kenji Nishiwaki**, Kadoma (JP);
Shigetada Ninomiya, Kadoma (JP)

(73) Assignee: **Matsushita Electric Industrial Co., Ltd.**, Osaka (JP)

(*) Notice: This patent is subject to a terminal disclaimer.

(**) Term: **14 Years**

(21) Appl. No.: **29/273,018**

(22) Filed: **Feb. 23, 2007**

(30) **Foreign Application Priority Data**

Aug. 24, 2006 (JP) 2006-022351

(51) **LOC (8) Cl.** **16-05**

(52) **U.S. Cl.** **D16/219**

(58) **Field of Classification Search** D16/200–205,
D16/208, 218, 219; 348/373–376; 358/906;
396/535–541

See application file for complete search history.

(56) **References Cited**

U.S. PATENT DOCUMENTS

- D394,075 S 5/1998 Ninomiya et al.
- D406,157 S * 2/1999 Goto D16/202
- D408,042 S 4/1999 Onoda et al.
- D408,043 S 4/1999 Goto et al.
- D408,428 S 4/1999 Ninomiya et al.
- D410,017 S 5/1999 Goto et al.
- D413,910 S 9/1999 Onoda et al.
- D413,911 S 9/1999 Goto et al.
- D418,852 S 1/2000 Onoda et al.
- D419,169 S 1/2000 Masano
- D469,793 S 2/2003 Onoda et al.
- D469,794 S 2/2003 Onoda et al.
- D476,021 S 6/2003 Masano et al.
- D490,456 S 5/2004 Masano et al.
- D505,686 S * 5/2005 Ikenaga D16/219

- D507,290 S 7/2005 Nishiwaki
- D521,041 S * 5/2006 Chung et al. D16/202
- D532,805 S 11/2006 Masano et al.
- D540,840 S * 4/2007 Nishiwaki D16/219
- D549,261 S * 8/2007 Hayashi et al. D16/202
- D552,652 S * 10/2007 Masano et al. D16/219
- D552,655 S * 10/2007 Nishiwaki et al. D16/219

FOREIGN PATENT DOCUMENTS

- JP D 1098408 1/2001
- JP D 1098409 1/2001
- JP D 1249190 8/2005
- JP D 1276338 7/2006
- JP D 1276339 7/2006
- JP D 1285998 11/2006
- JP D 1286000 11/2006

* cited by examiner

Primary Examiner—Adir Aronovich

(74) *Attorney, Agent, or Firm*—Brinks Hofer Gilson & Lione

(57) **CLAIM**

We claim the ornamental design for a video camera with video disc recorder, as shown and described.

DESCRIPTION

FIG. 1 is a front perspective view of a video camera with video disc recorder of the present invention;

FIG. 2 is a rear perspective view thereof;

FIG. 3 is a front view thereof;

FIG. 4 is a top view thereof;

FIG. 5 is a first side view thereof;

FIG. 6 is a second side view thereof;

FIG. 7 is a rear view thereof; and,

FIG. 8 is a bottom view thereof.

The ornamental design which is claimed is shown in solid lines in the drawings. Any broken lines in the drawings are for illustrative purposes only and form no part of the claimed design.

1 Claim, 4 Drawing Sheets

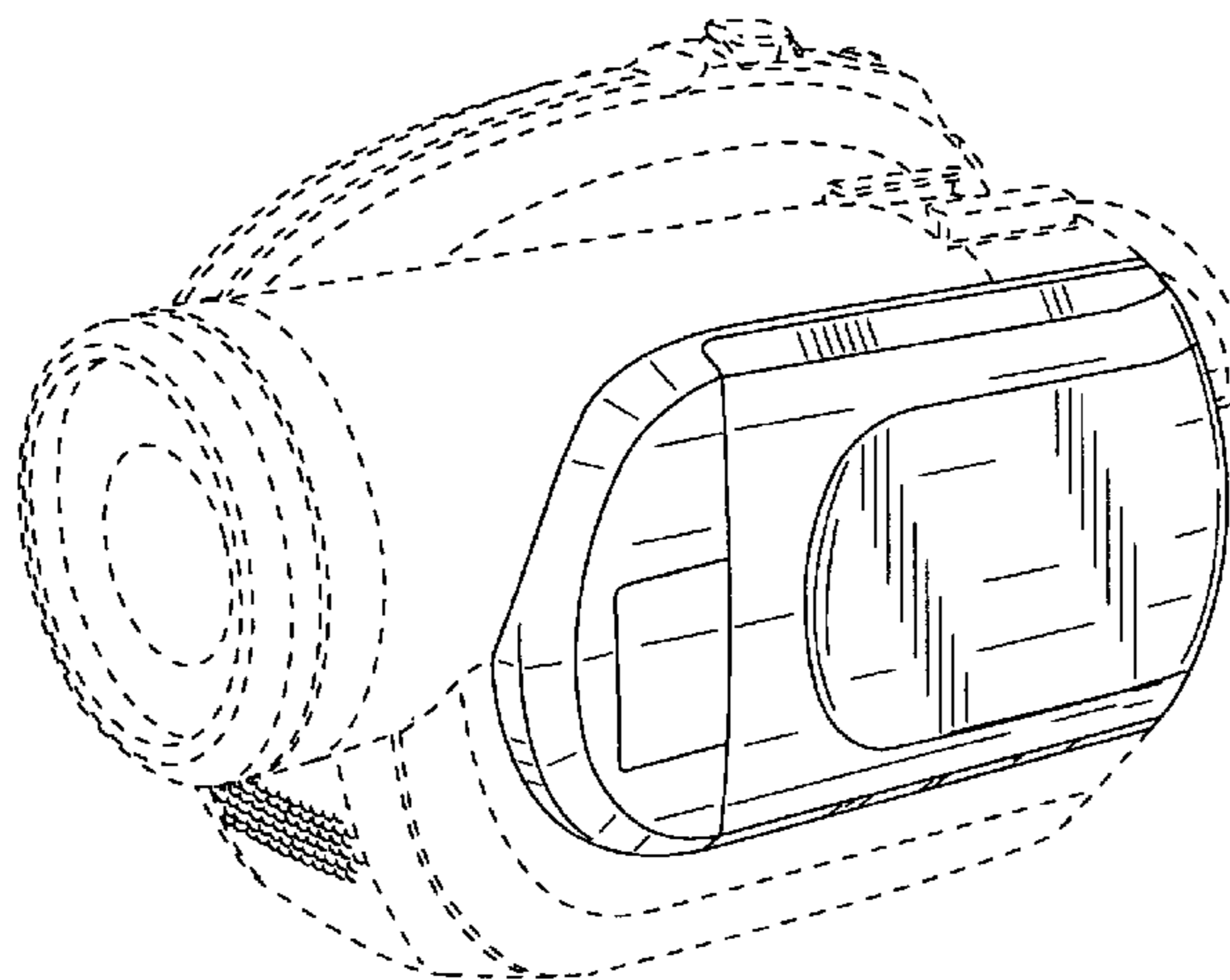


FIG.1

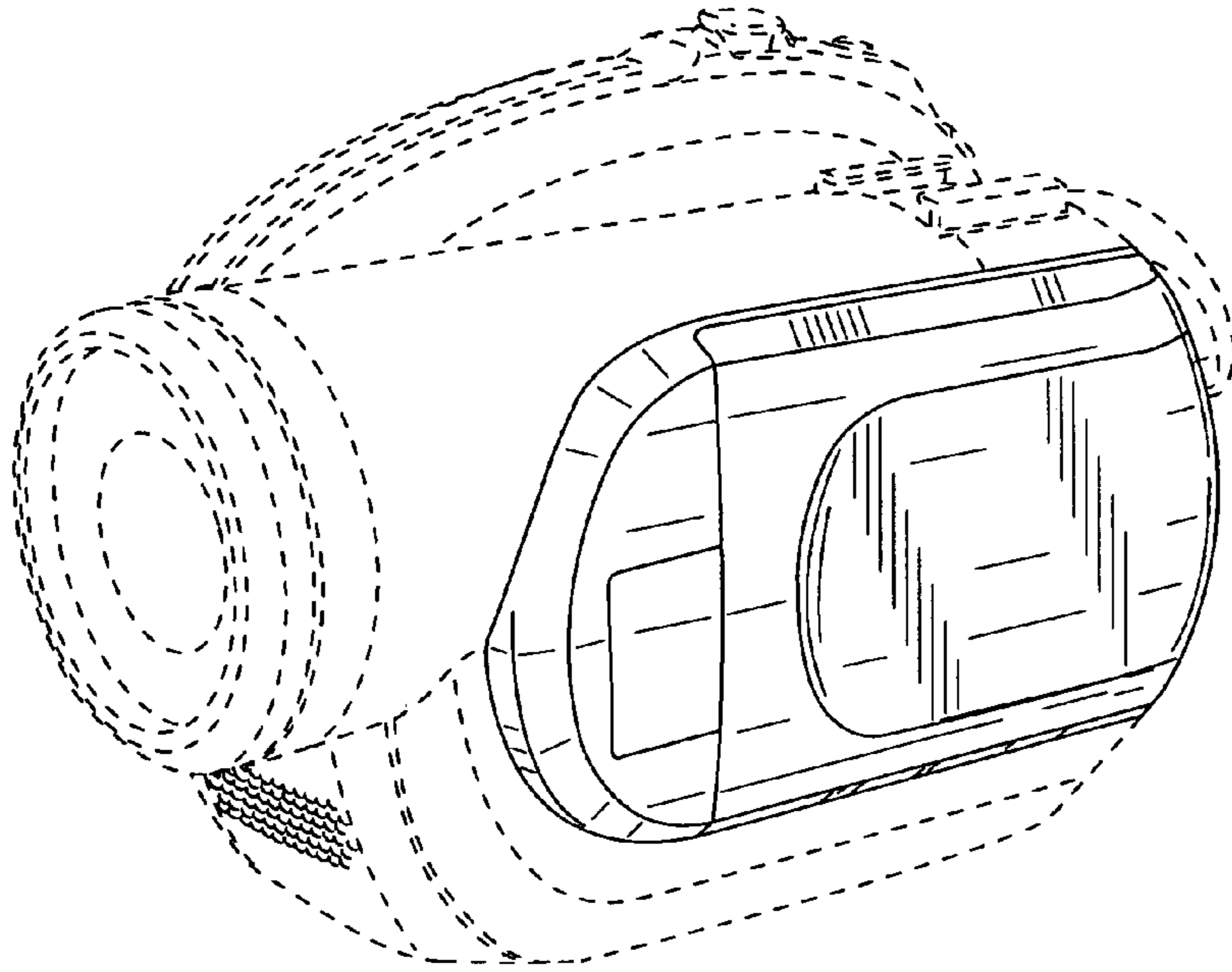


FIG.2

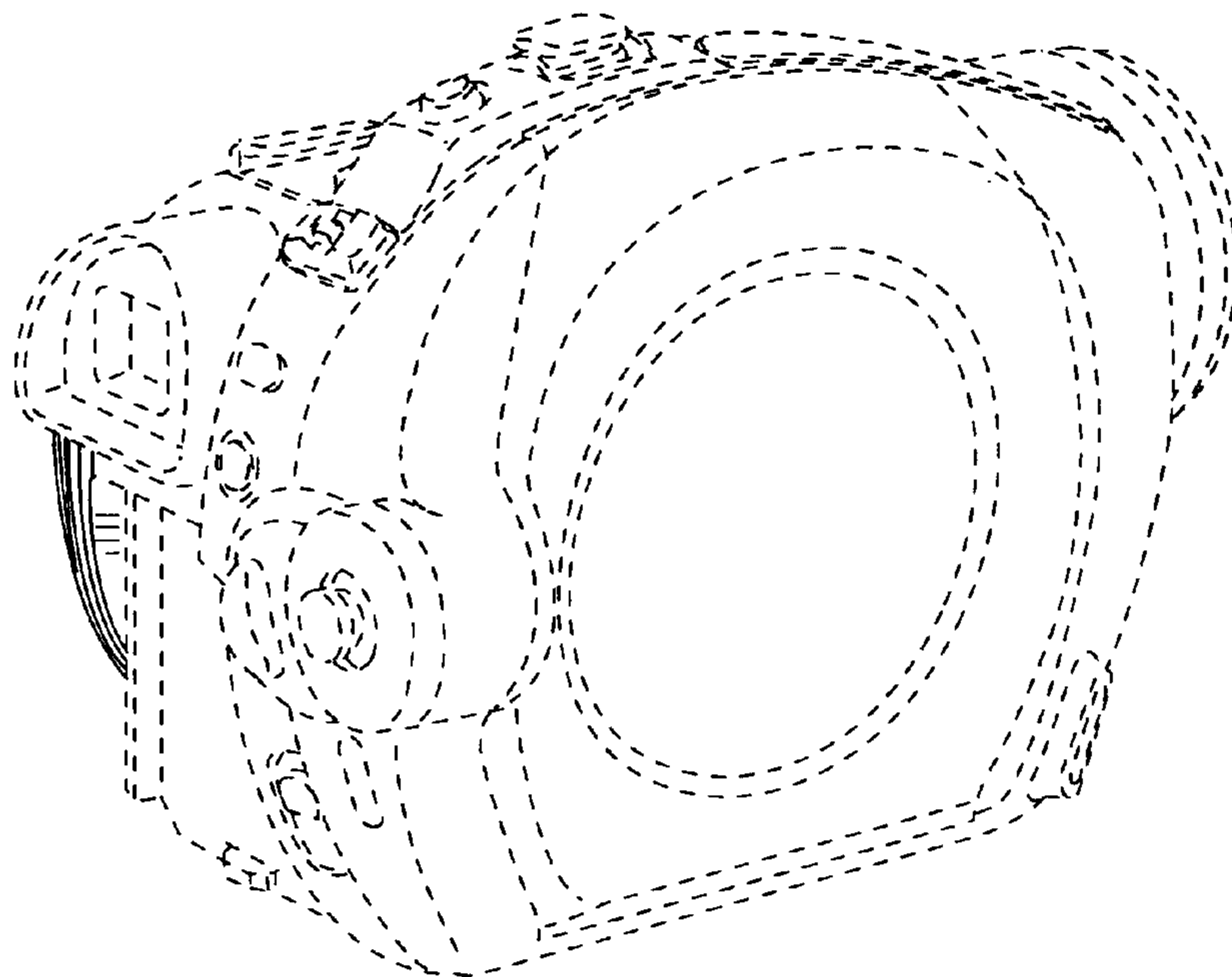


FIG.3

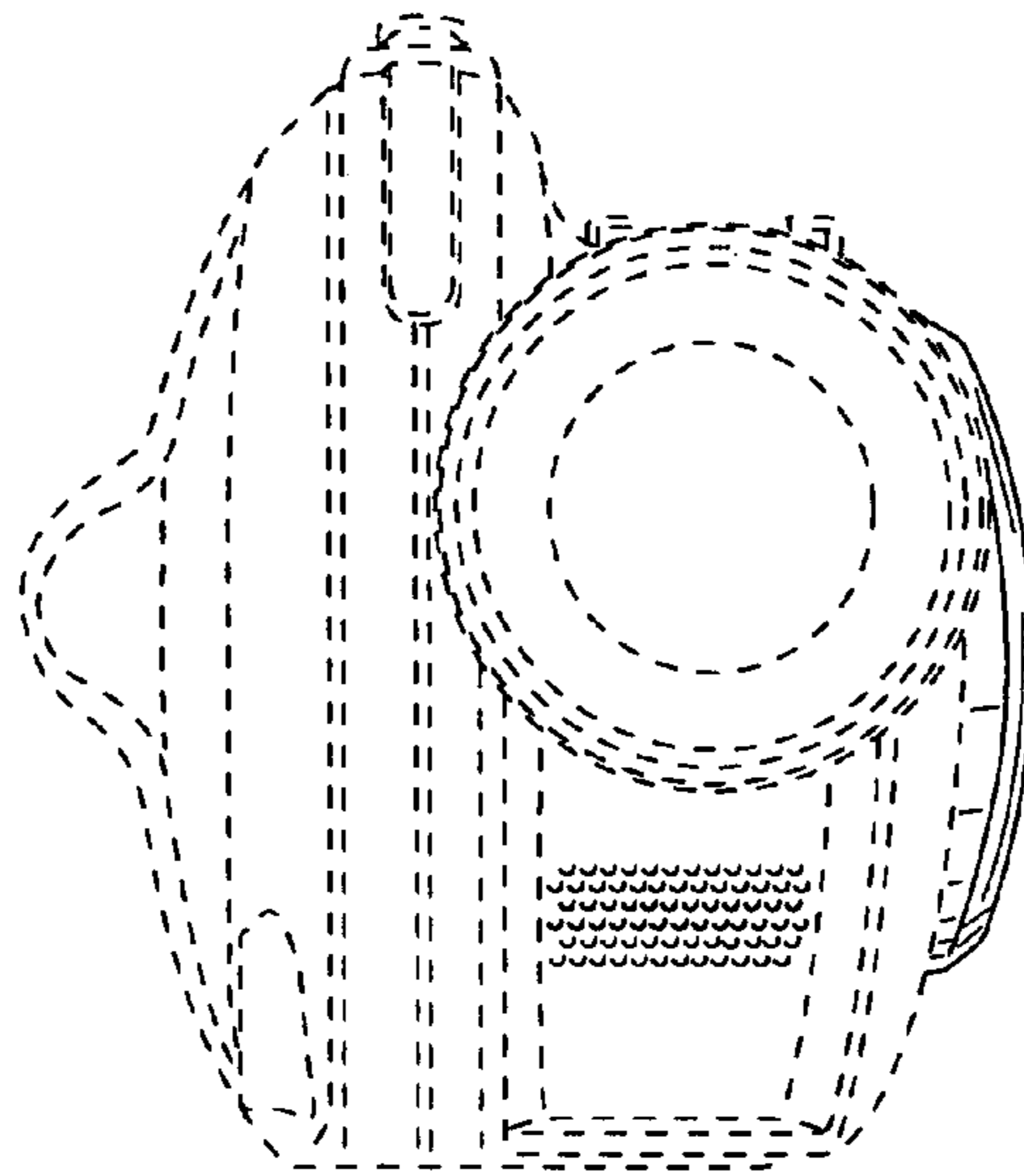


FIG.4

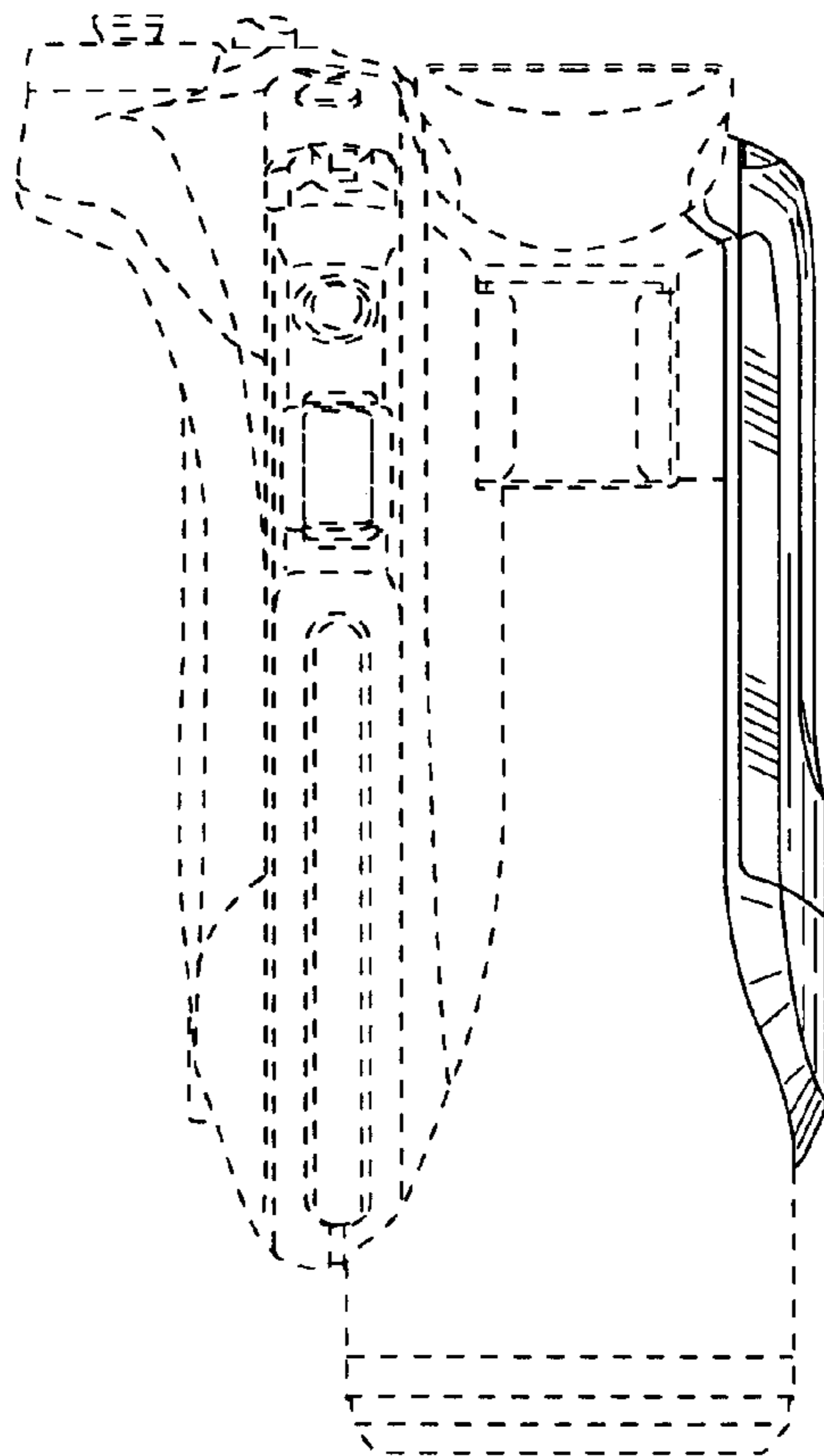


FIG.5

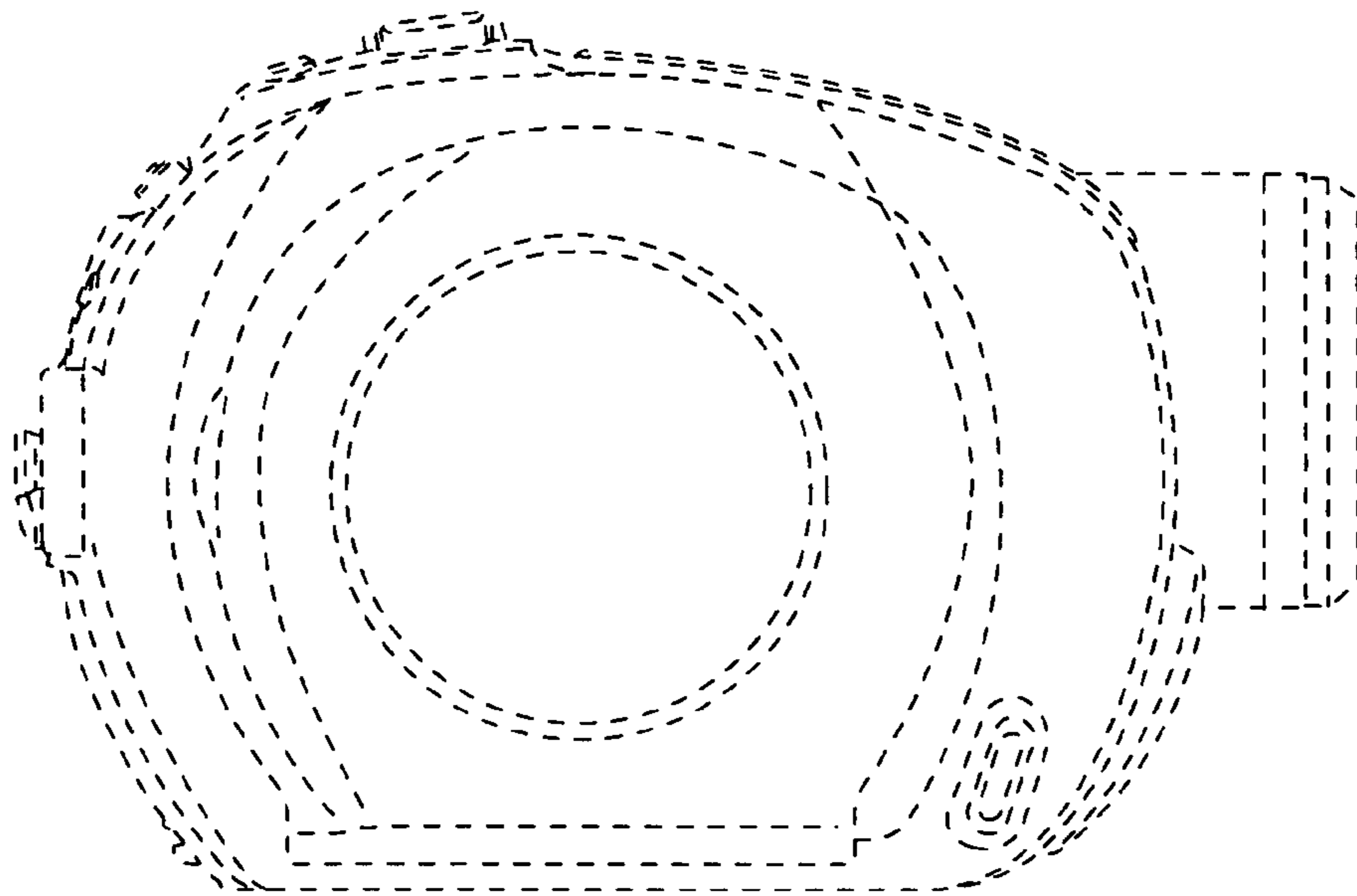


FIG.6

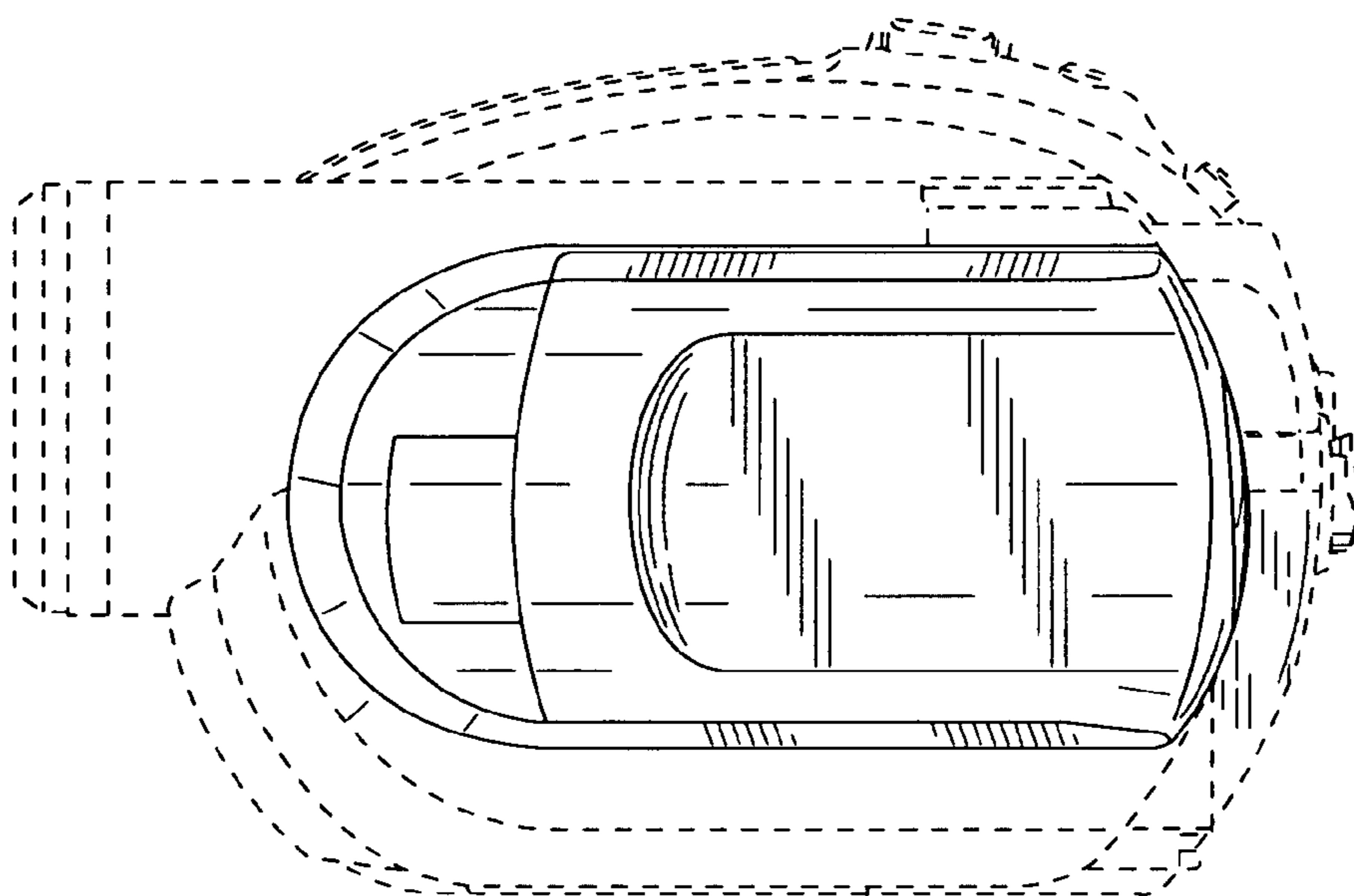


FIG.7

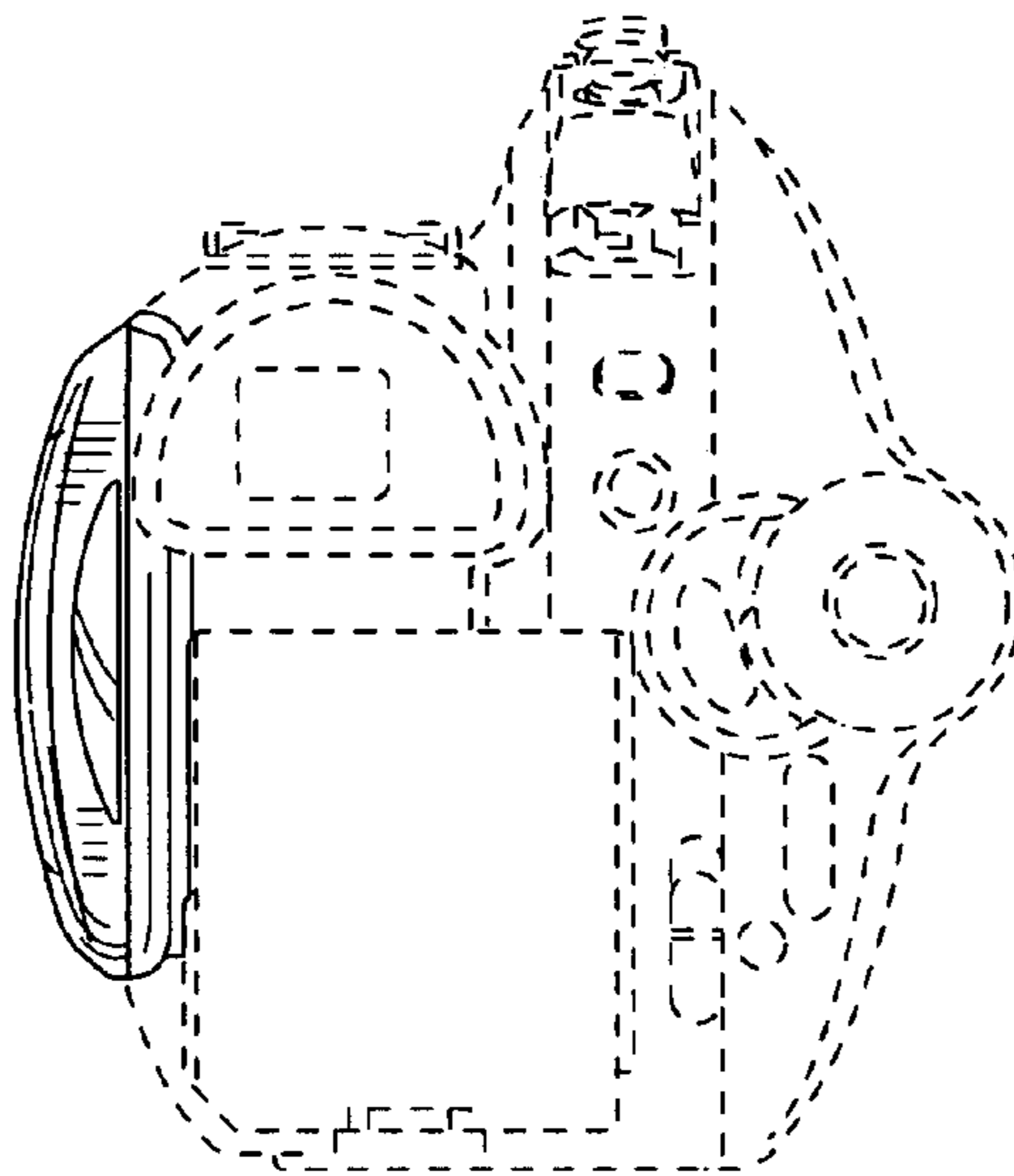


FIG.8

