

US00D569888S

(12) **United States Design Patent**
Kim

(10) **Patent No.:** **US D569,888 S**

(45) **Date of Patent:** **** May 27, 2008**

(54) **PORTION OF AN ELECTRONIC CAMERA**

(74) *Attorney, Agent, or Firm*—Banner & Witcoff, Ltd.

(75) **Inventor:** **Young Soo Kim**, Bellevue, WA (US)

(57) **CLAIM**

(73) **Assignee:** **Microsoft Corporation**, Redmond, WA (US)

The ornamental design for a portion of an electronic camera, as shown and described.

(**) **Term:** **14 Years**

DESCRIPTION

(21) **Appl. No.:** **29/248,312**

FIG. 1 is a front perspective view of a portion of an electronic camera wherein a lens portion of the camera is in an extending position showing my new design;

(22) **Filed:** **Aug. 9, 2006**

(51) **LOC (8) Cl.** **16-01**

FIG. 2 is a front view thereof;

(52) **U.S. Cl.** **D16/211**

FIG. 3 is a rear view thereof;

(58) **Field of Classification Search** D16/200–206,
D16/208, 211–213, 217–219; 348/373–376;
358/906, 909.1; 396/348, 535–541

FIG. 4 is a bottom view thereof;

See application file for complete search history.

FIG. 5 is a top view thereof;

(56) **References Cited**

FIG. 6 is a left side view thereof;

U.S. PATENT DOCUMENTS

FIG. 7 is a right side view thereof;

D234,542 S * 3/1975 Quinn D16/212

FIG. 8 is a front perspective view of a second embodiment of a portion of an electronic camera wherein a lens portion of the camera is in a retracted position;

D237,833 S * 11/1975 Winkler D16/212

FIG. 9 is a front view thereof;

4,493,542 A * 1/1985 Ohmura et al. 396/541

FIG. 10 is a rear view thereof;

5,557,356 A * 9/1996 Ishida et al. 396/537

FIG. 11 is a bottom view thereof;

D470,523 S * 2/2003 Basmadjian et al. D16/212

FIG. 12 is a top view thereof;

6,591,069 B2 * 7/2003 Horiguchi 396/535

FIG. 13 is a left side view thereof; and,

D500,777 S * 1/2005 Basmadjian et al. D16/212

FIG. 14 is a right side view thereof.

D517,586 S * 3/2006 Eroma D16/212

D553,618 S * 10/2007 Cheng D16/208

2005/0162545 A1 * 7/2005 Jeon 348/373

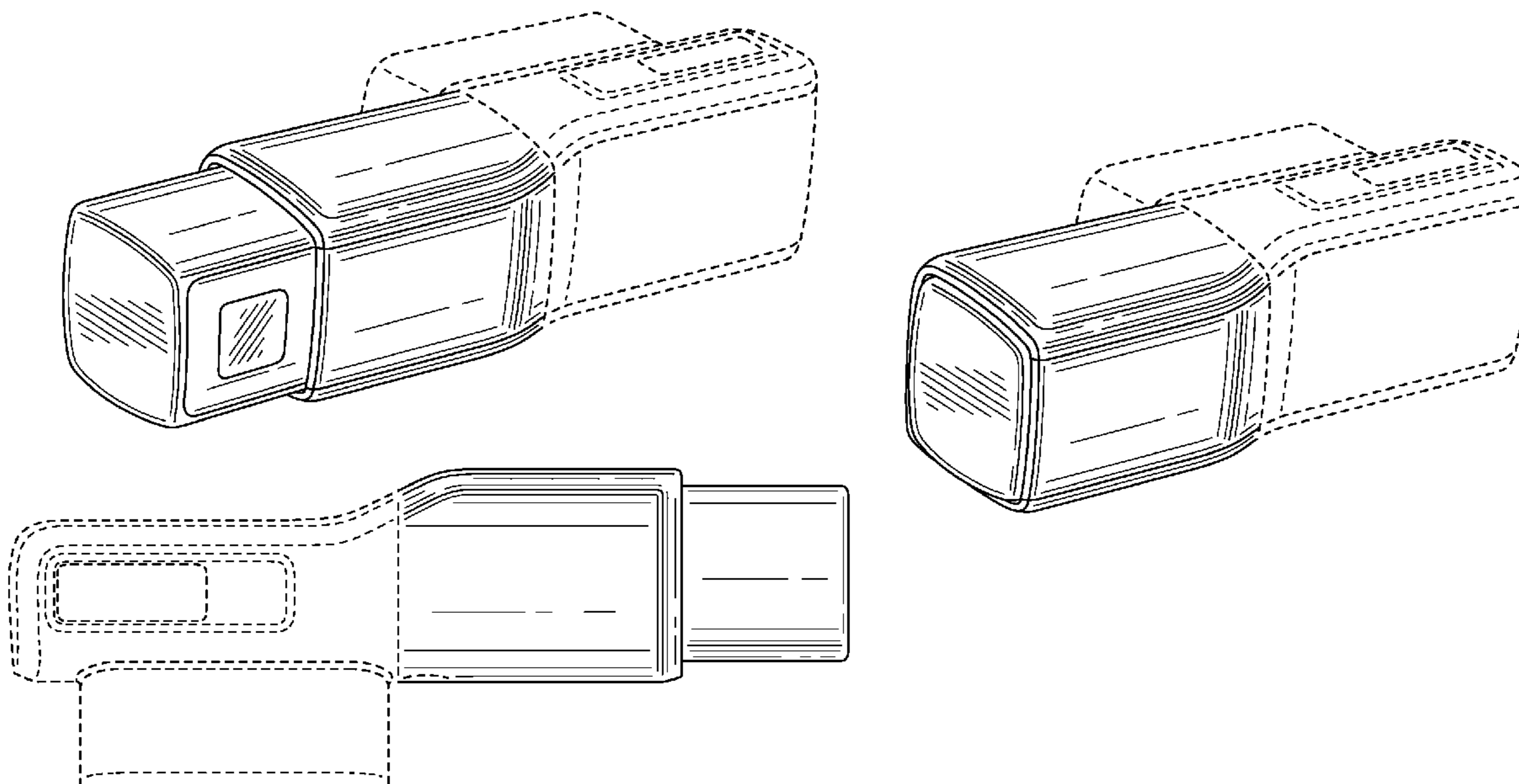
2005/0173276 A1 * 8/2005 Hsu 206/320

* cited by examiner

The broken line showing of various regions in the figures, including the unshaded areas therein, is for illustrative purposes only and forms no part of the claimed design.

Primary Examiner—Ian Simmons
Assistant Examiner—Wan Laymon

1 Claim, 4 Drawing Sheets



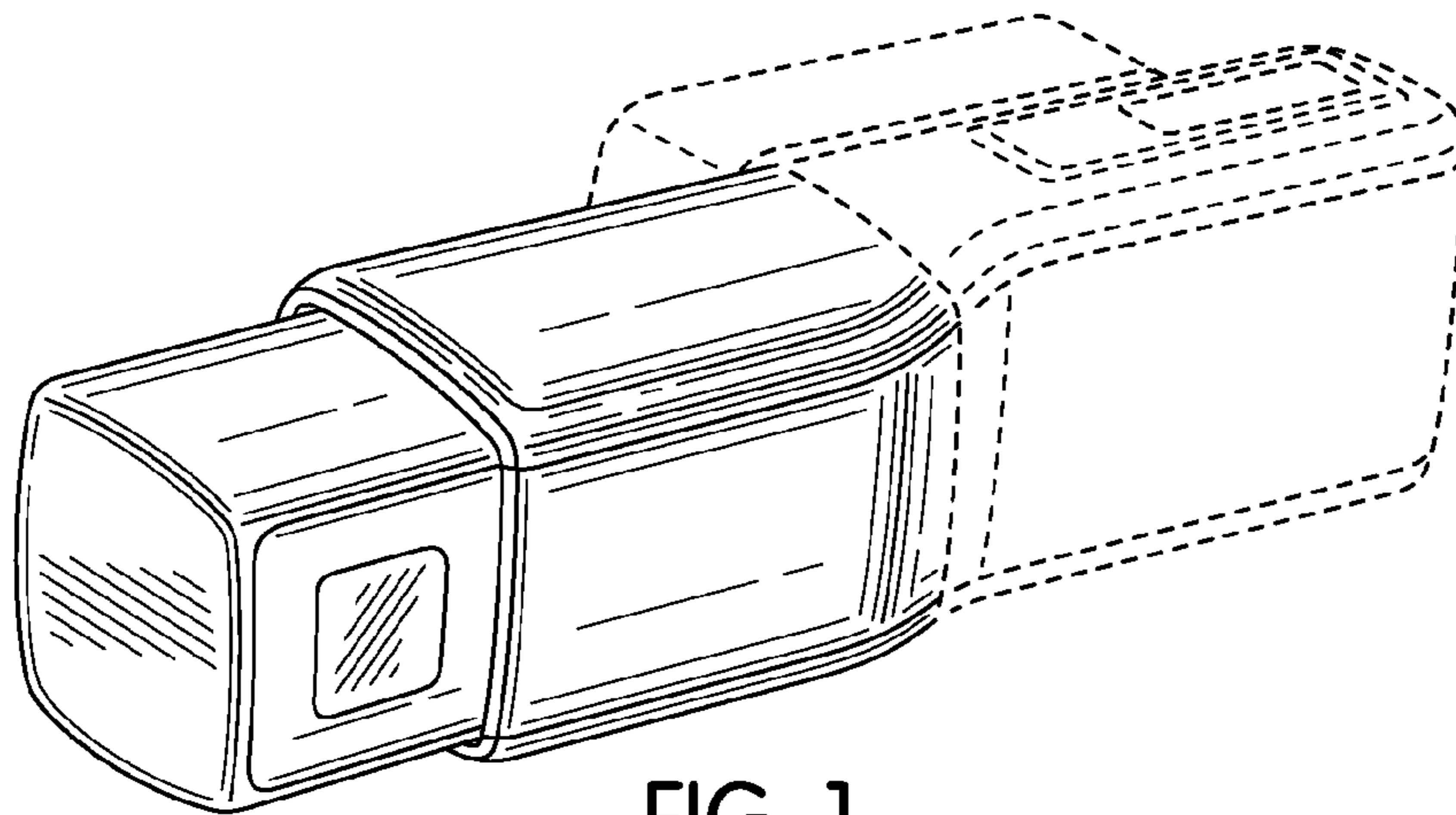


FIG. 1

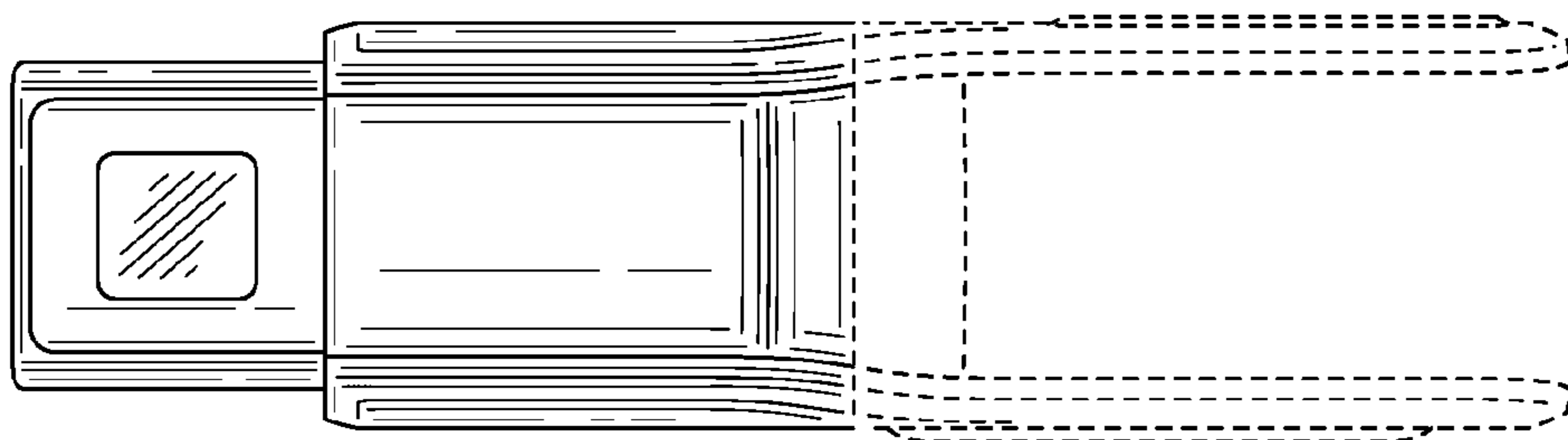


FIG. 2

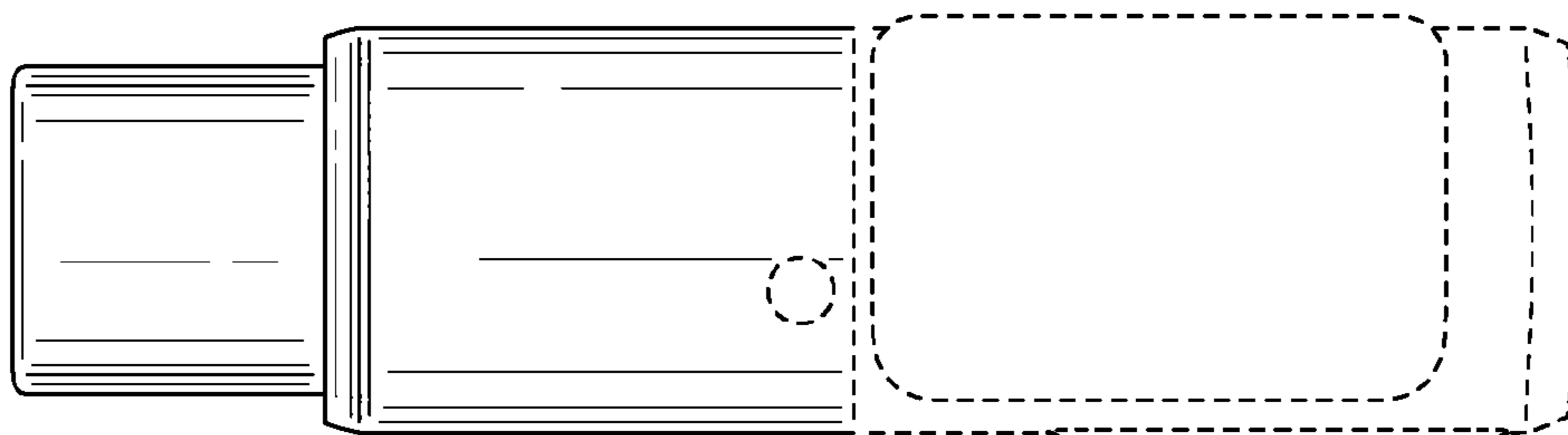


FIG. 3

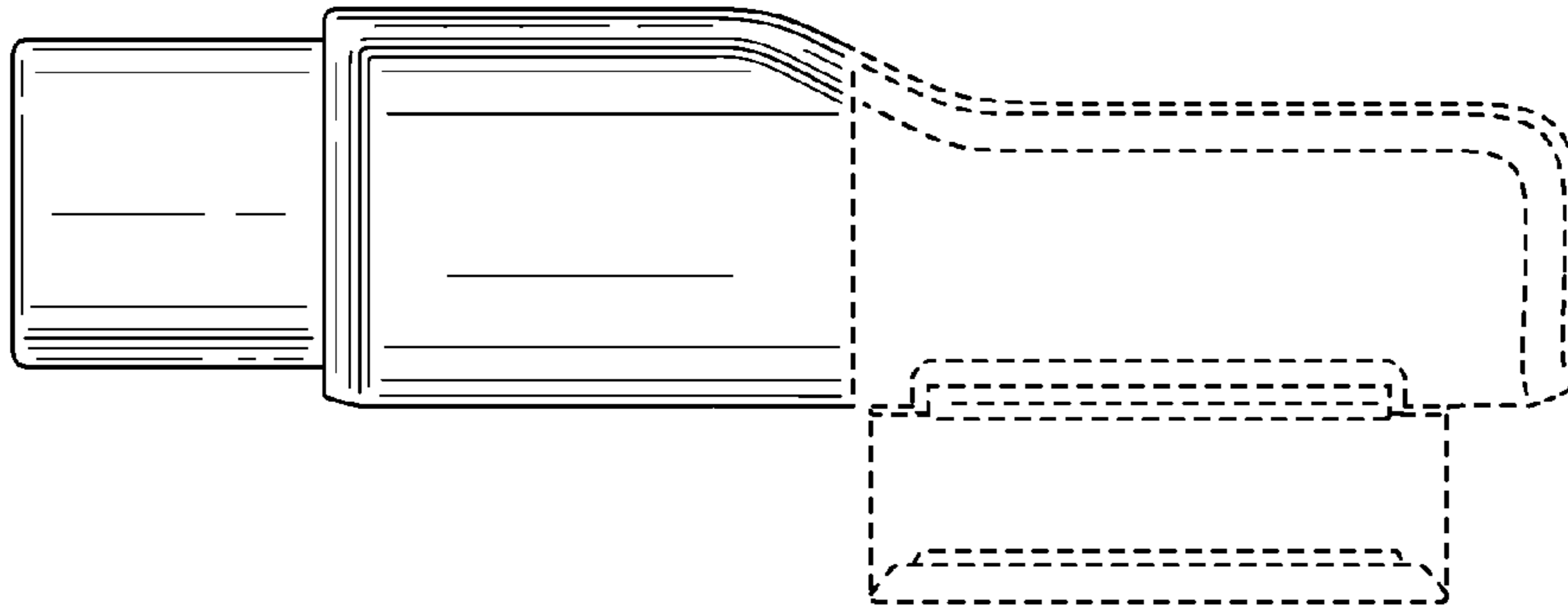


FIG. 4

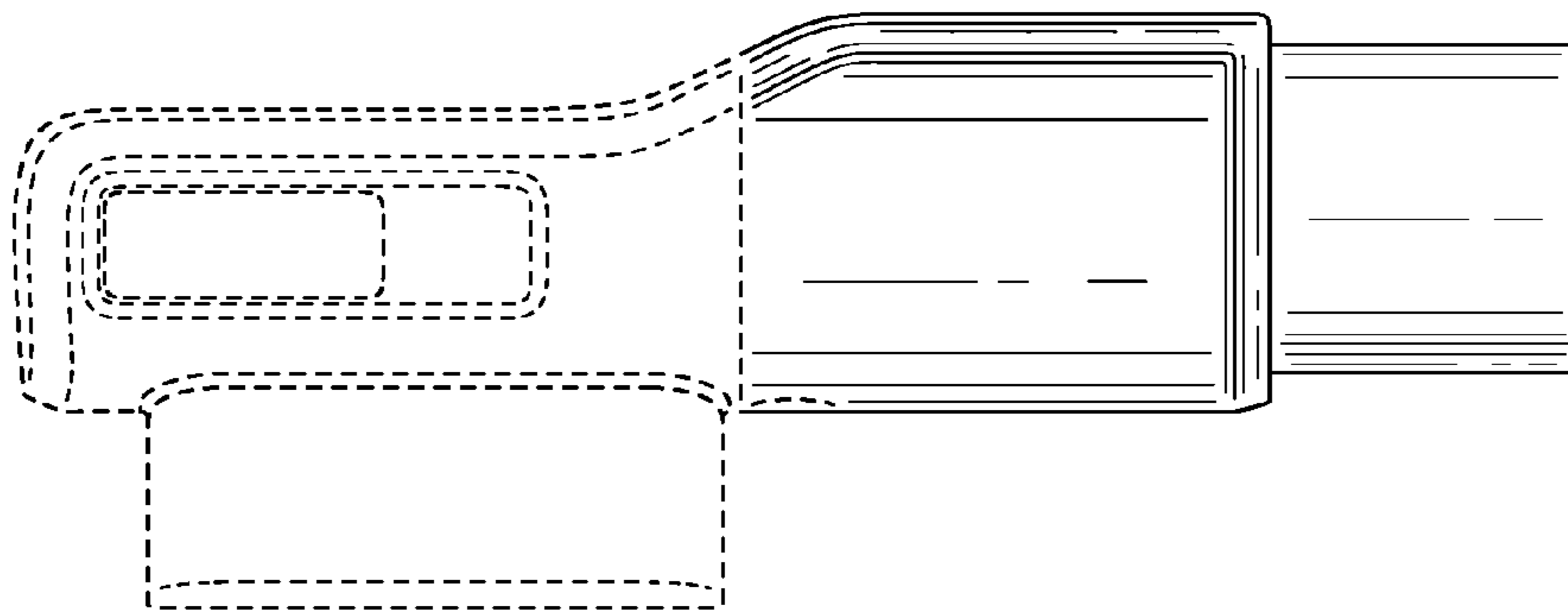


FIG. 5

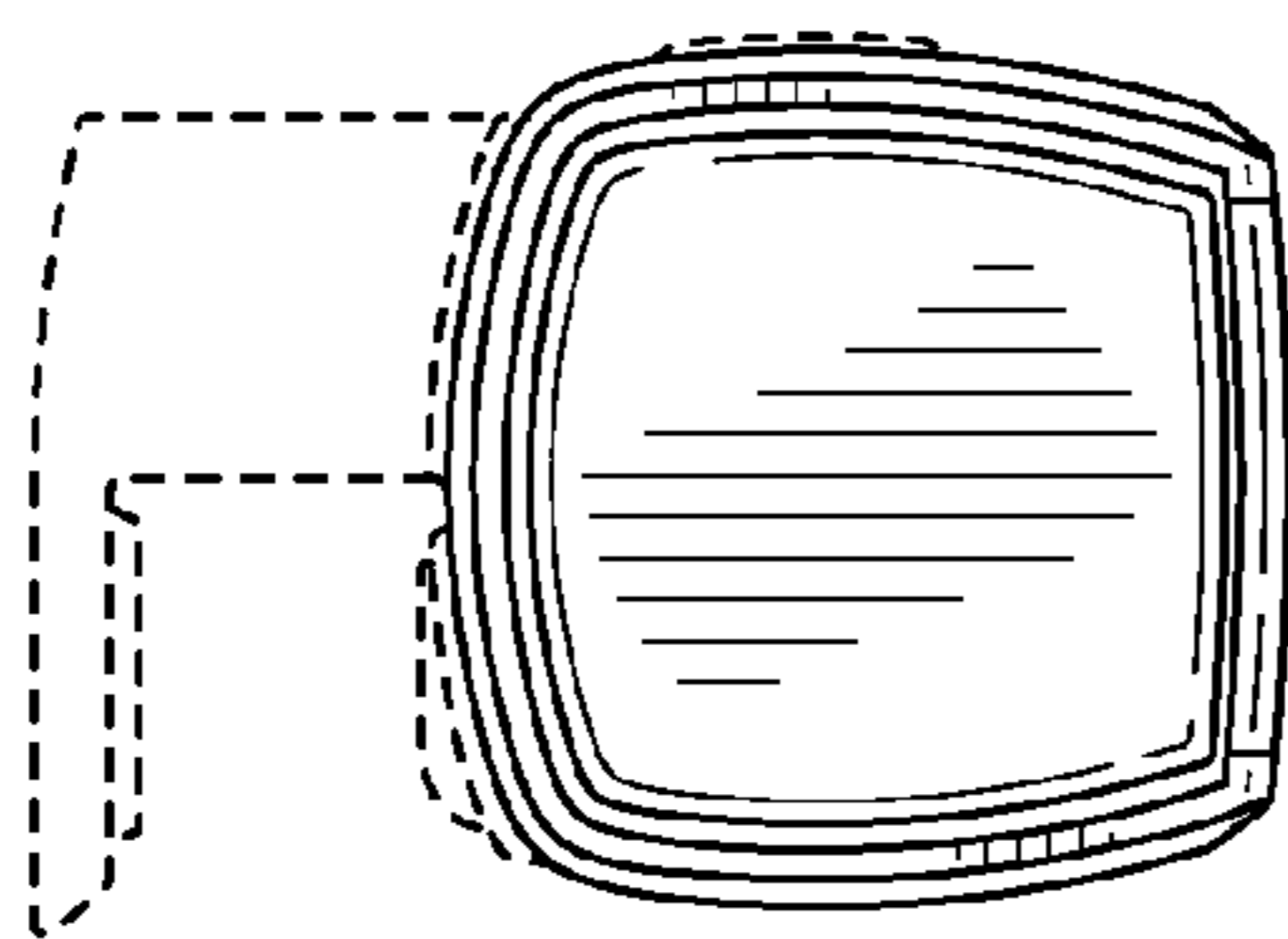


FIG. 6

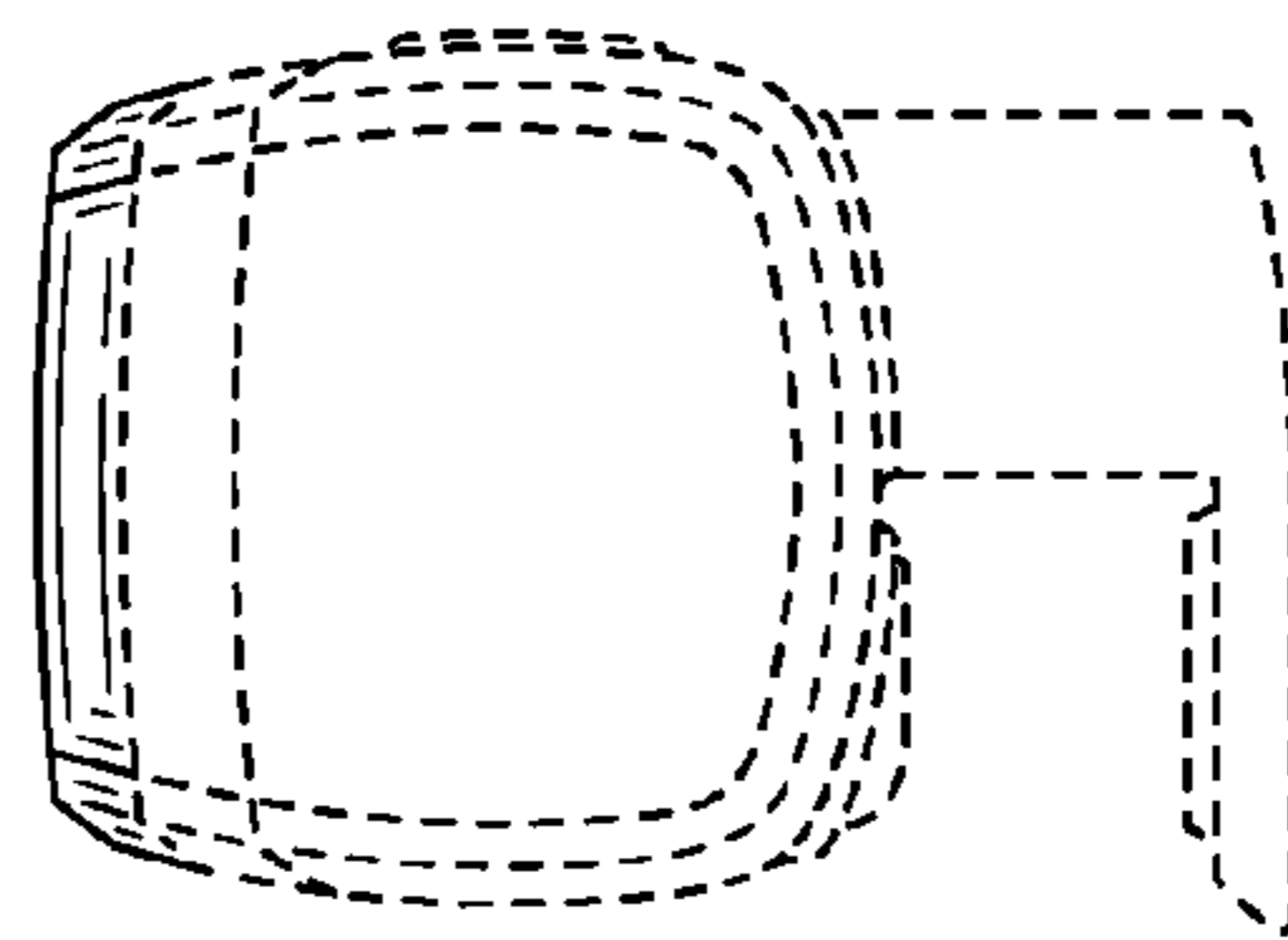


FIG. 7

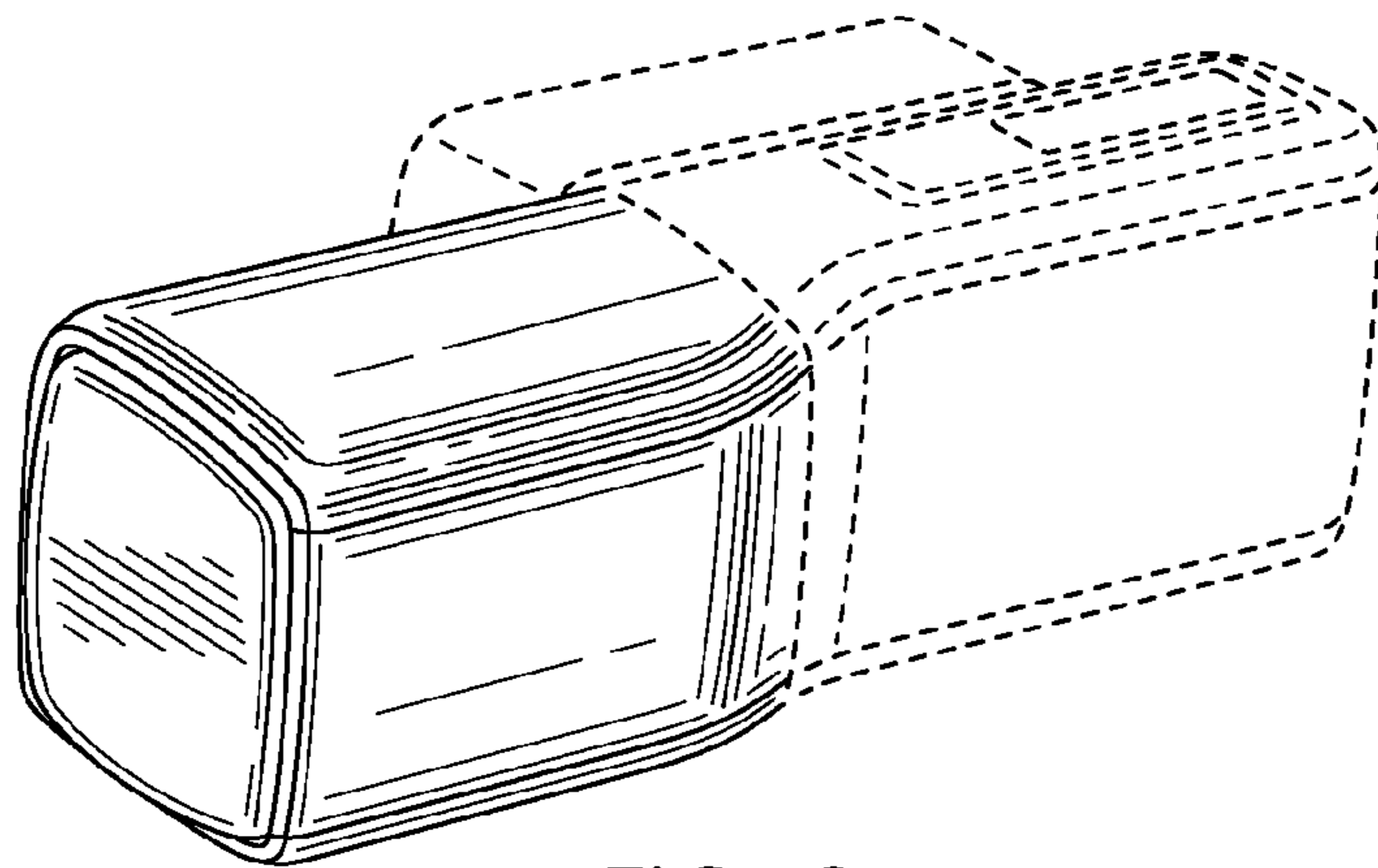


FIG. 8

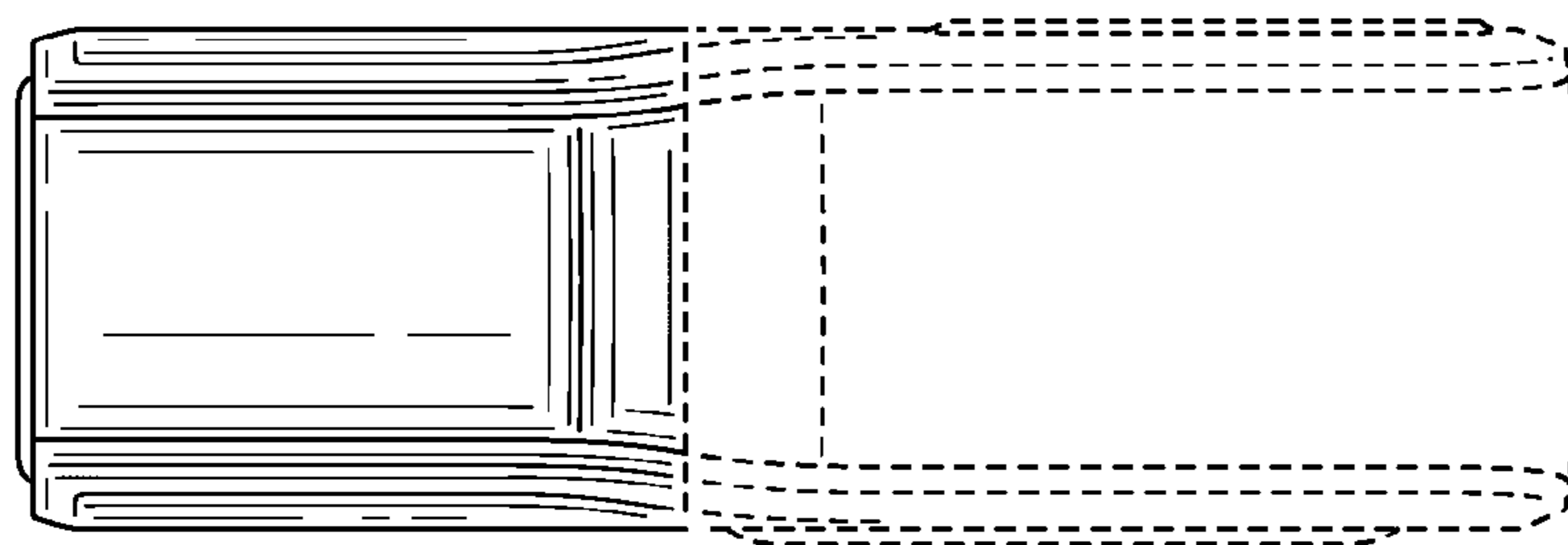


FIG. 9

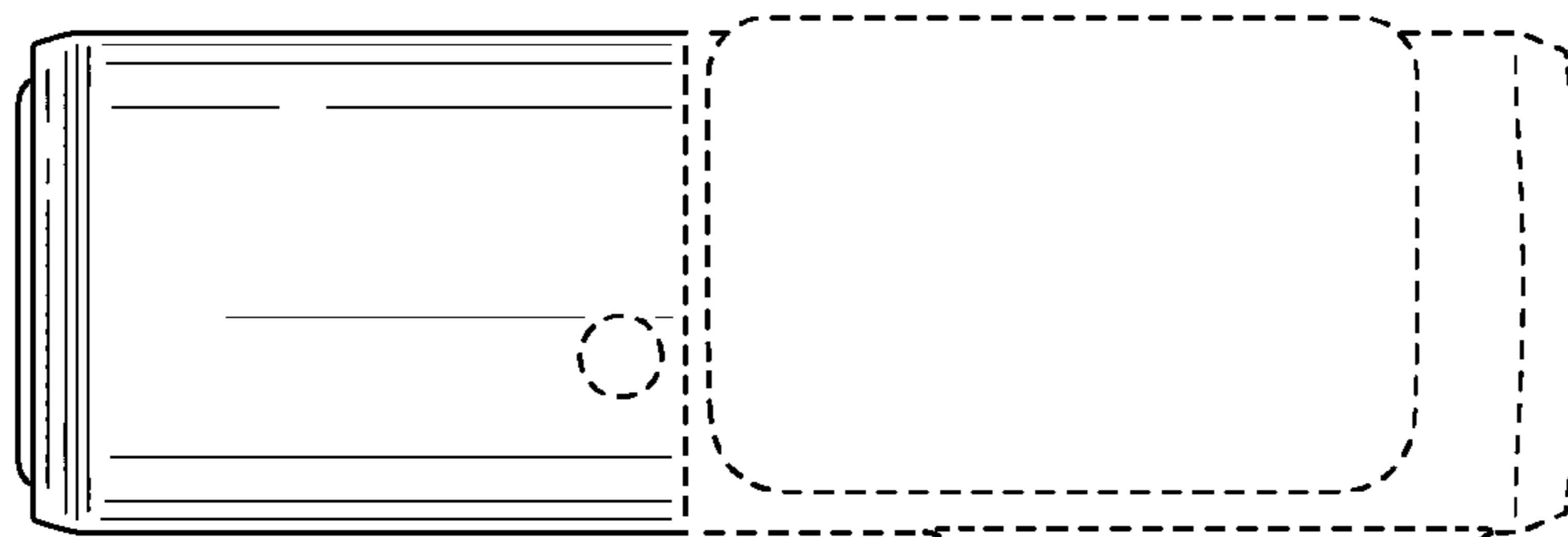


FIG. 10

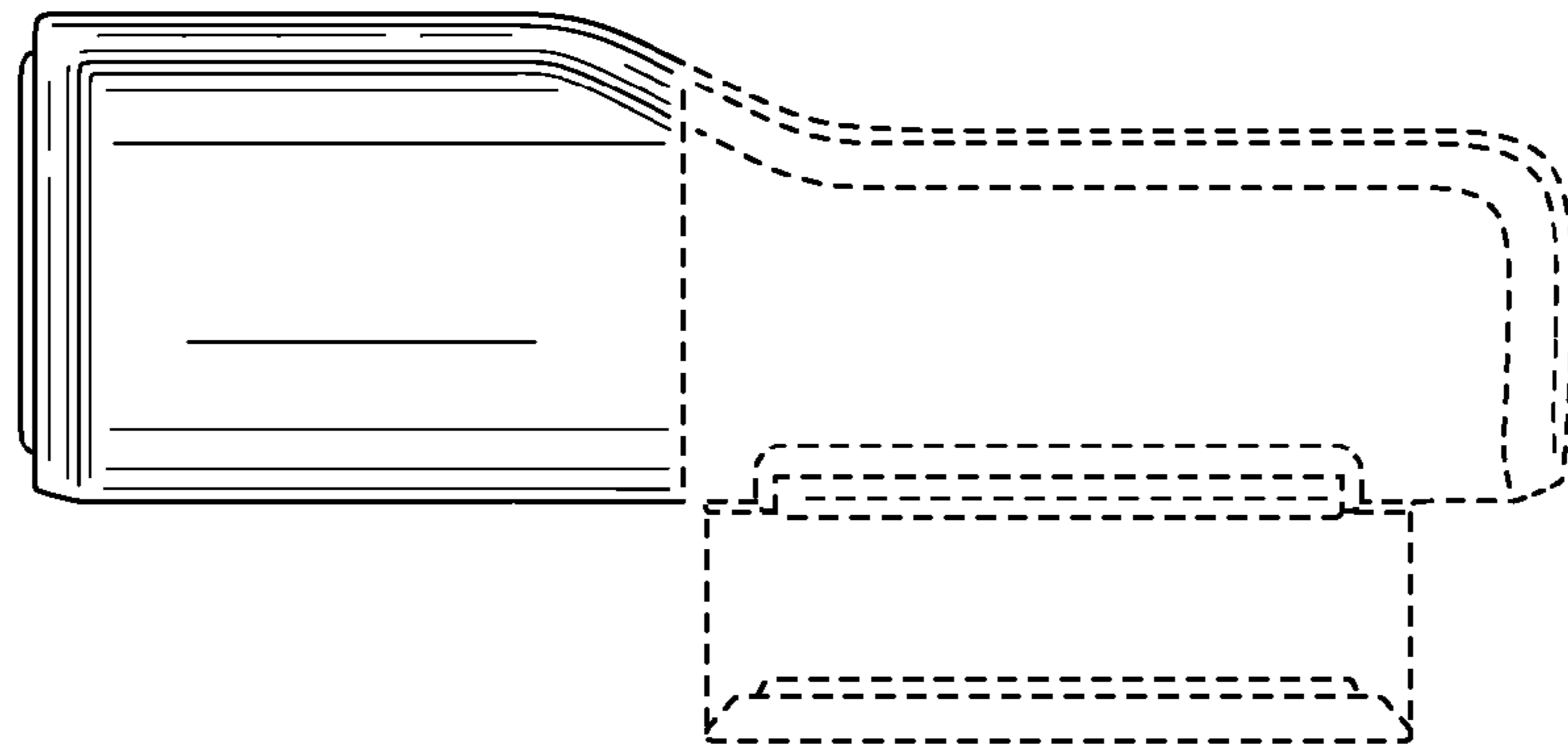


FIG. 11

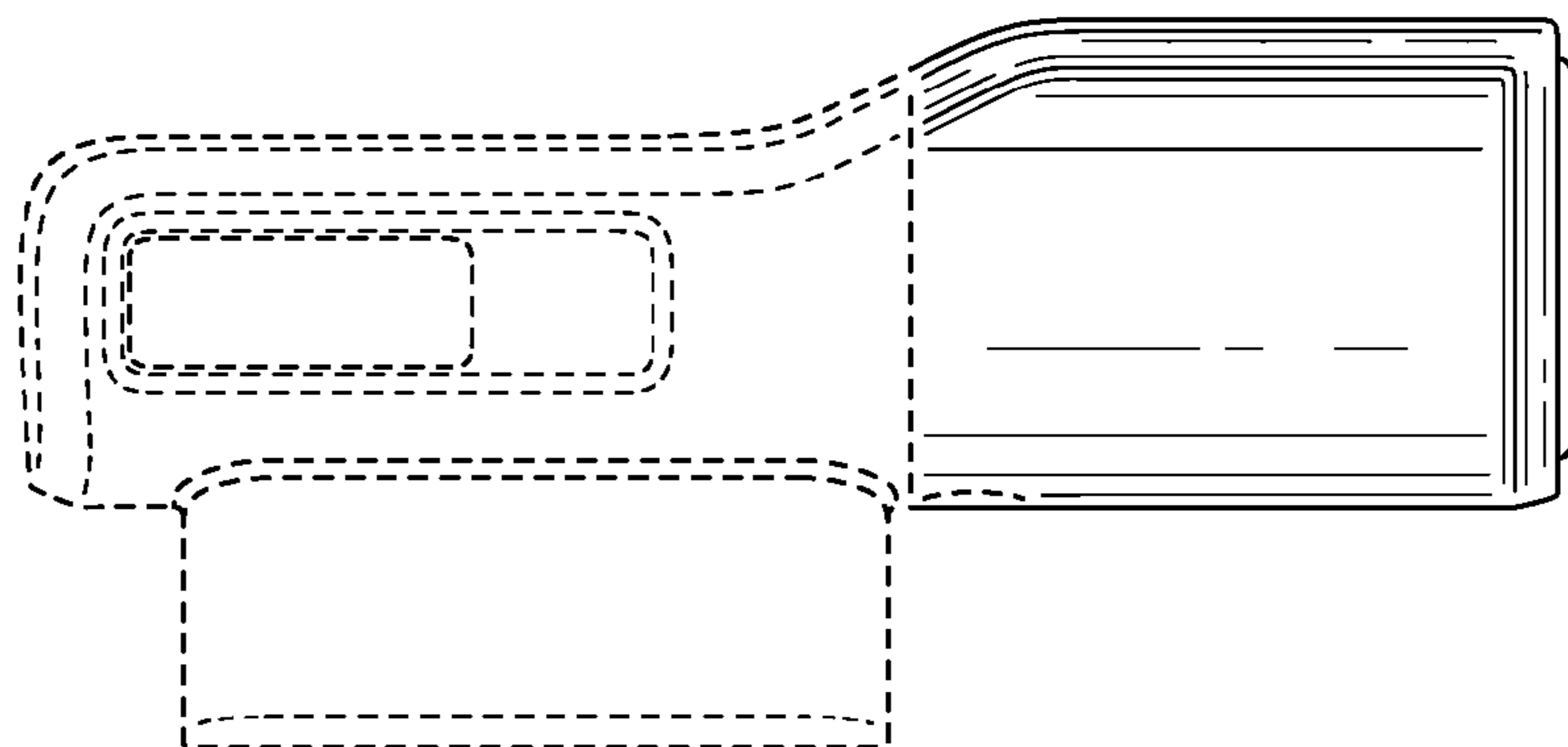


FIG. 12

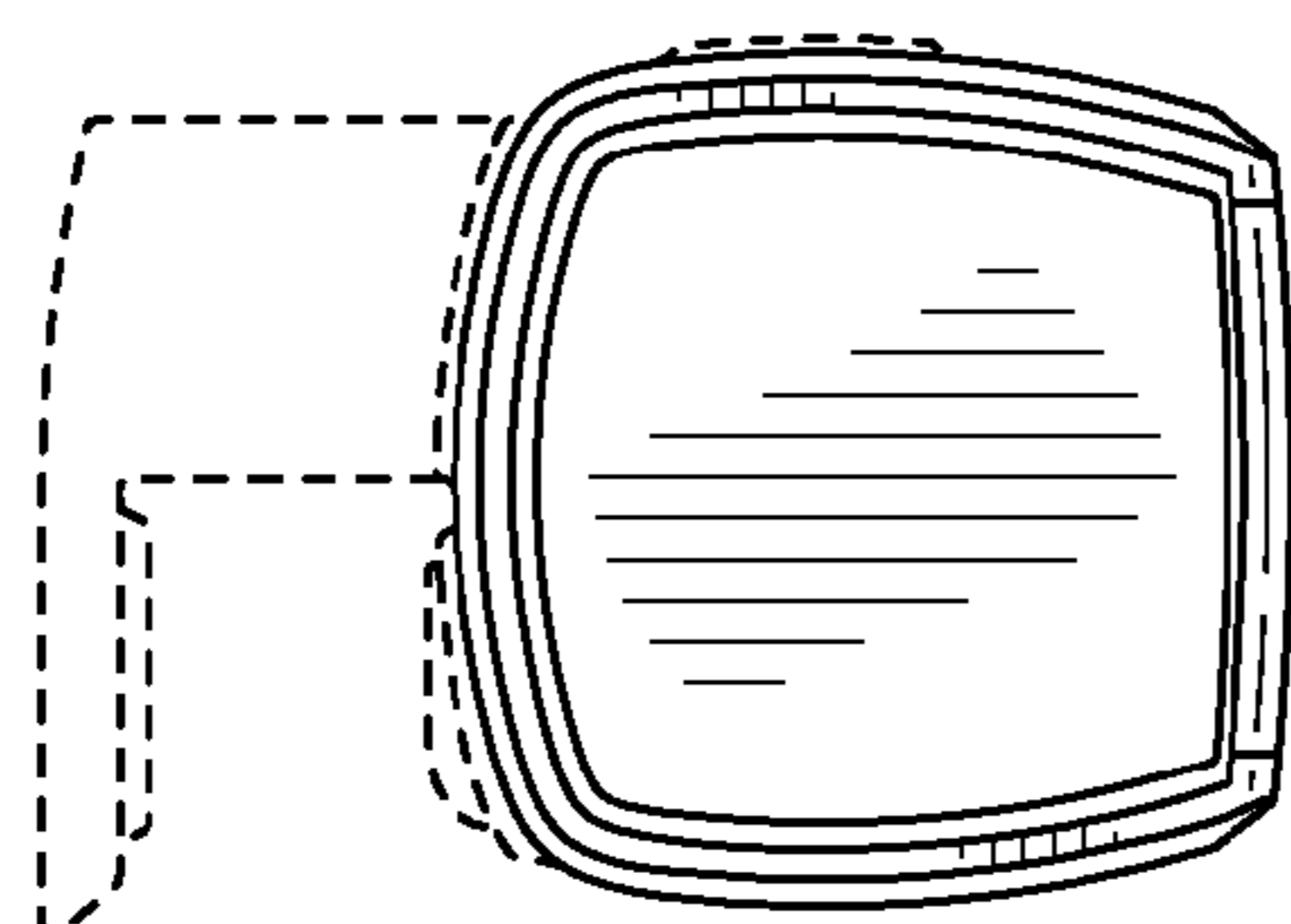


FIG. 13

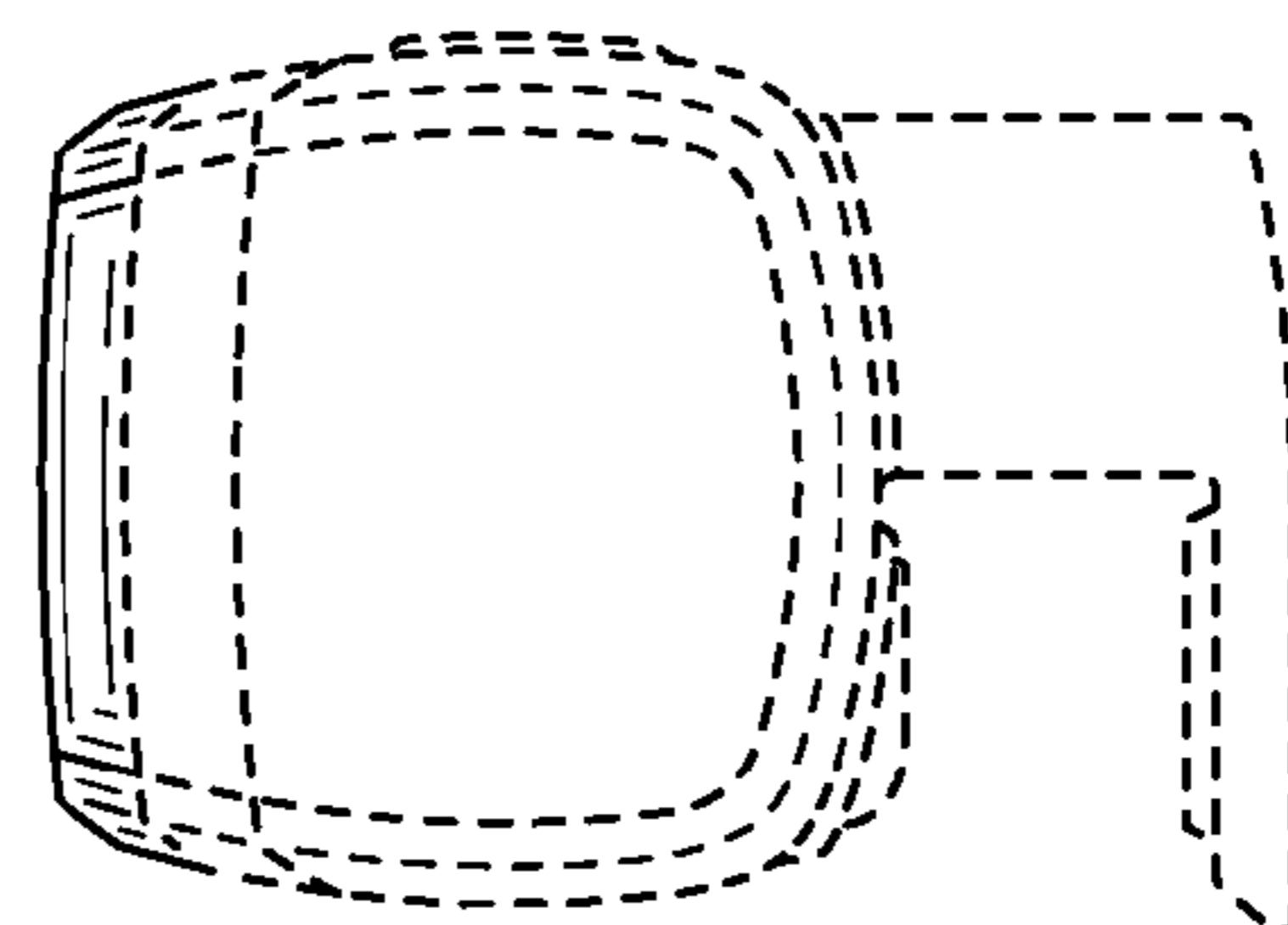


FIG. 14