



US00D569886S

(12) **United States Design Patent** (10) **Patent No.:** **US D569,886 S**
Larsson et al. (45) **Date of Patent:** **** May 27, 2008**

(54) **ROBOT ARM**

(75) Inventors: **Jan Larsson**, Västerås (SE); **Mats Olsson**, Västerås (SE); **Stig Persson**, Västerås (SE)

(73) Assignee: **ABB AB**, Västerås (SE)

(**) Term: **14 Years**

(21) Appl. No.: **29/287,103**

(22) Filed: **Jun. 27, 2007**

(30) **Foreign Application Priority Data**

Dec. 27, 2006 (EM) 000644067-0001

(51) **LOC (8) Cl.** **15-99**

(52) **U.S. Cl.** **D15/199**

(58) **Field of Classification Search** D15/199;
33/503; 73/7; 74/409.02, 490.01, 490.02,
74/490.03, 490.05; 219/124.34; 318/560;
364/191; 700/99; 702/191

See application file for complete search history.

(56) **References Cited**

U.S. PATENT DOCUMENTS

D279,572 S *	7/1985	Yasuoka et al.	D15/199
D293,449 S *	12/1987	Kaufmann et al.	D15/199
D334,581 S *	4/1993	Yoshikawa et al.	D15/199
D344,279 S *	2/1994	Koyama et al.	D15/199
5,564,312 A *	10/1996	Brunman et al.	74/490.02
D410,477 S *	6/1999	Nihei et al.	D15/199
D423,534 S *	4/2000	Raab et al.	D15/199
D444,488 S *	7/2001	Selic et al.	D15/199
6,263,755 B1 *	7/2001	Perlin	74/490.01
6,267,022 B1 *	7/2001	Suzuki	74/490.01
6,408,710 B1 *	6/2002	Kullborg et al.	74/490.03
D461,484 S *	8/2002	Kraft	D15/199
2005/0204850 A1 *	9/2005	Nihei et al.	74/490.01

* cited by examiner

Primary Examiner—Sandra Snapp

Assistant Examiner—Patricia Palasik

(74) *Attorney, Agent, or Firm*—Venable LLP; Eric J. Franklin

(57) **CLAIM**

The ornamental design for a robot arm, as shown and described.

DESCRIPTION

FIG. 1 represents a right side view of an embodiment of a robot arm showing our new design with cabling;

FIG. 2 represents a left side view thereof;

FIG. 3 represents a rear view thereof;

FIG. 4 represents a front view thereof;

FIG. 5 represents a top view thereof;

FIG. 6 represents a bottom view thereof;

FIG. 7 represents a right front perspective view thereof;

FIG. 8 represents a left rear perspective view thereof;

FIG. 9 represents a right side view of the embodiment shown in FIGS. 1–8 without cabling;

FIG. 10 represents a left side view thereof;

FIG. 11 represents a rear view thereof;

FIG. 12 represents a front view thereof;

FIG. 13 represents a top view thereof;

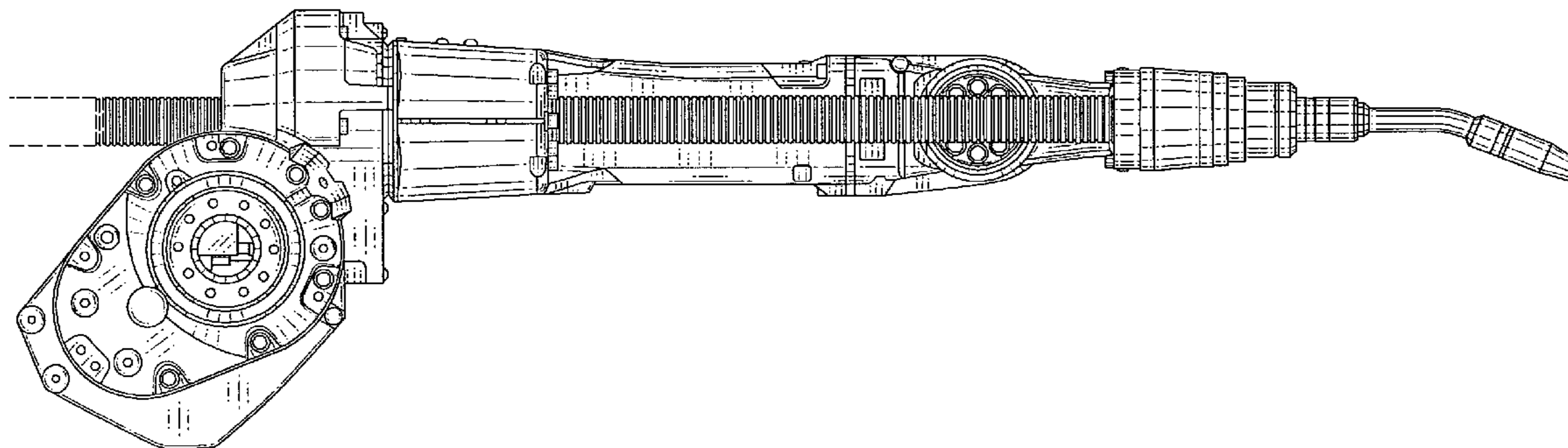
FIG. 14 represents a bottom view thereof;

FIG. 15 represents a right front perspective view thereof; and,

FIG. 16 represents a left rear perspective view thereof.

The broken line showing of the robot arm is included for the purpose of illustrating portions of the robot arm and forms no part of the claimed design.

1 Claim, 16 Drawing Sheets



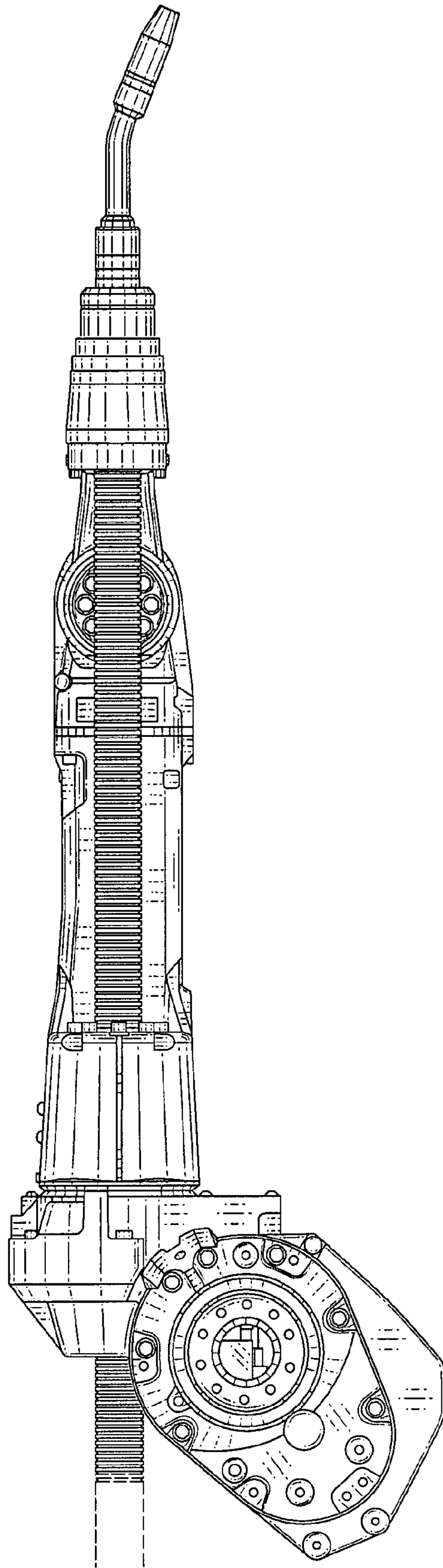


Fig. 1

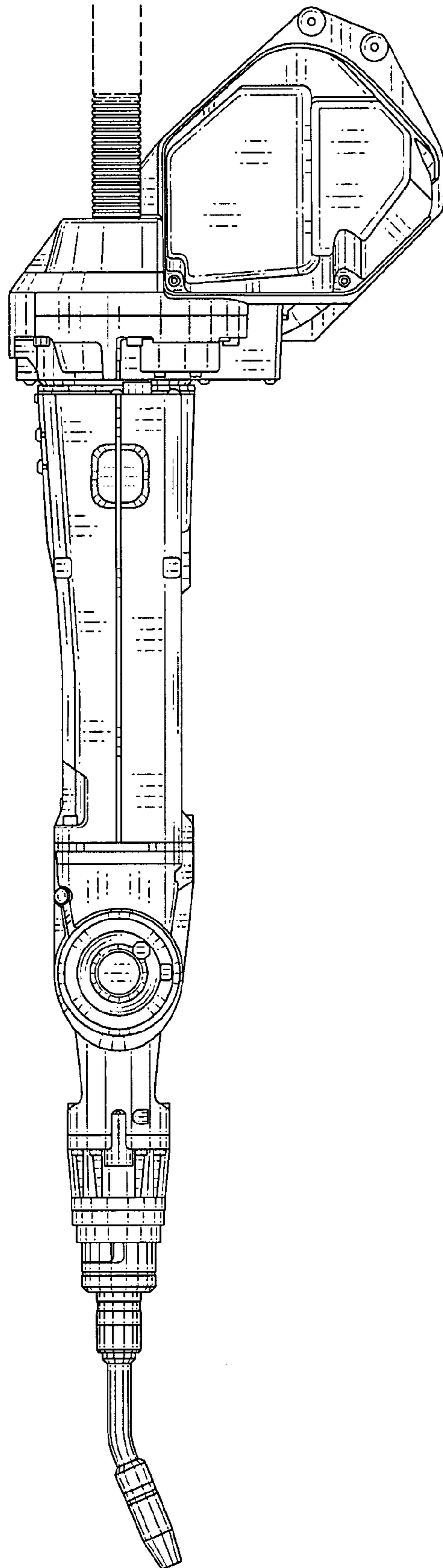


Fig. 2

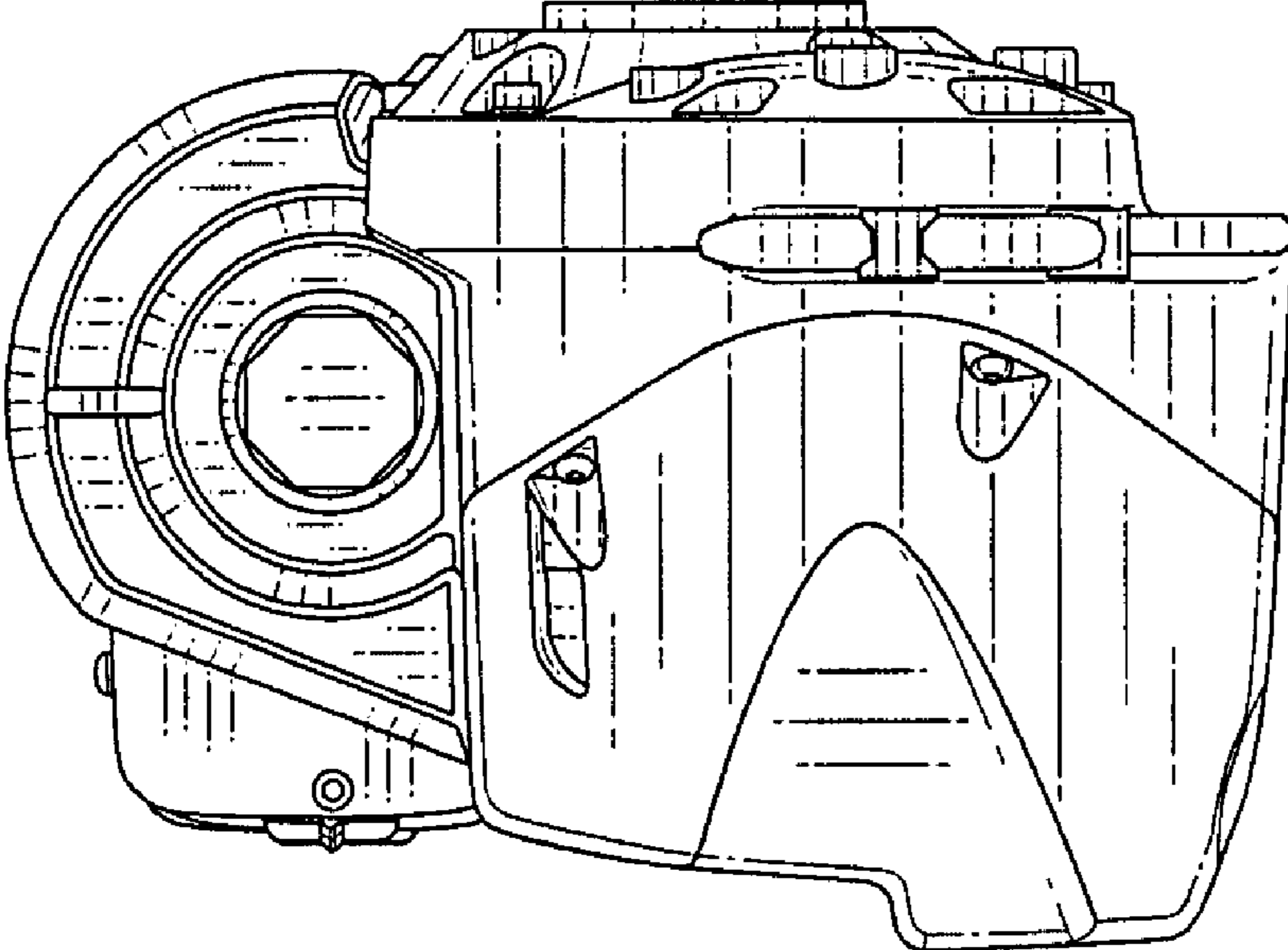


Fig. 3

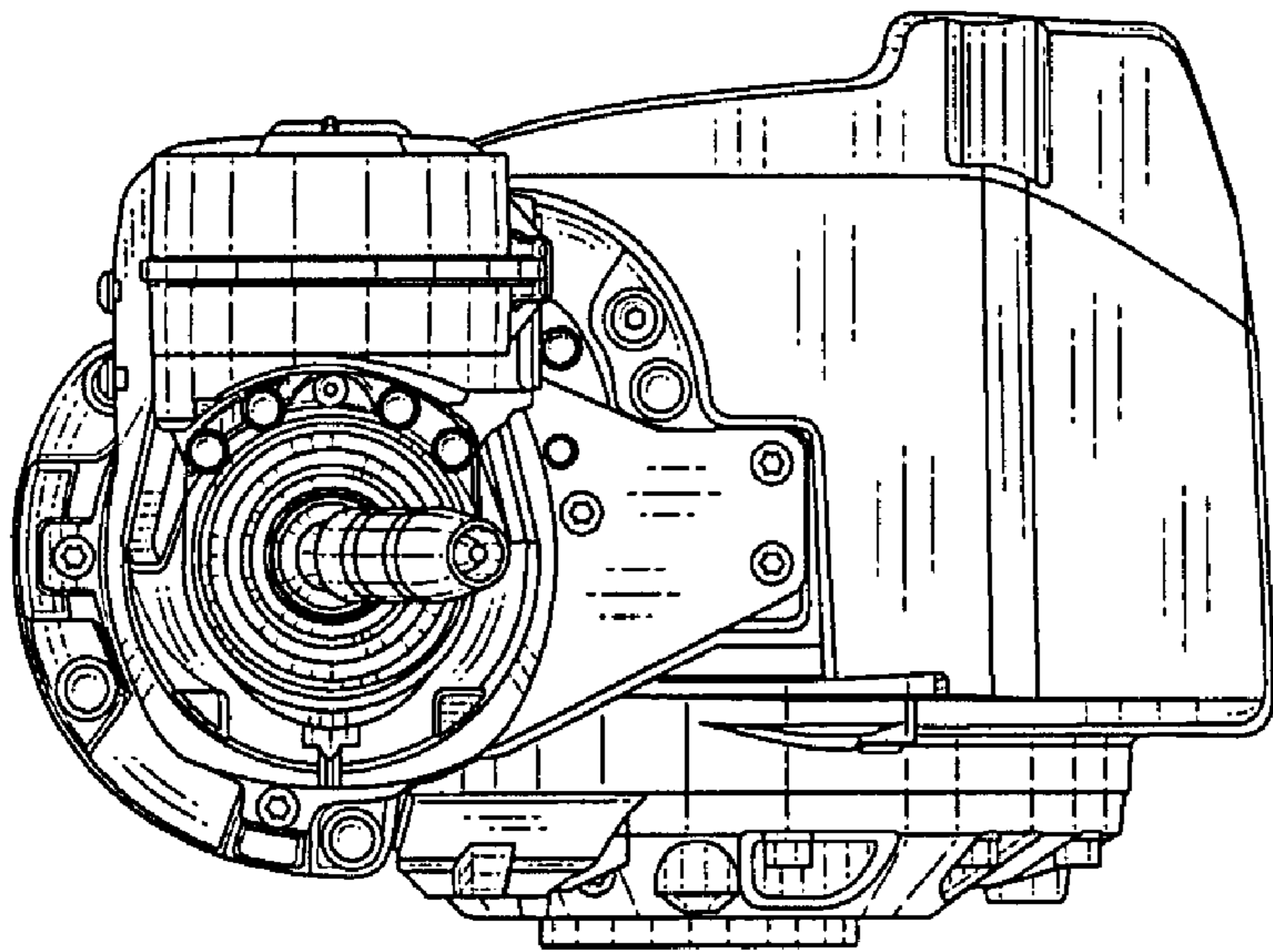


Fig. 4

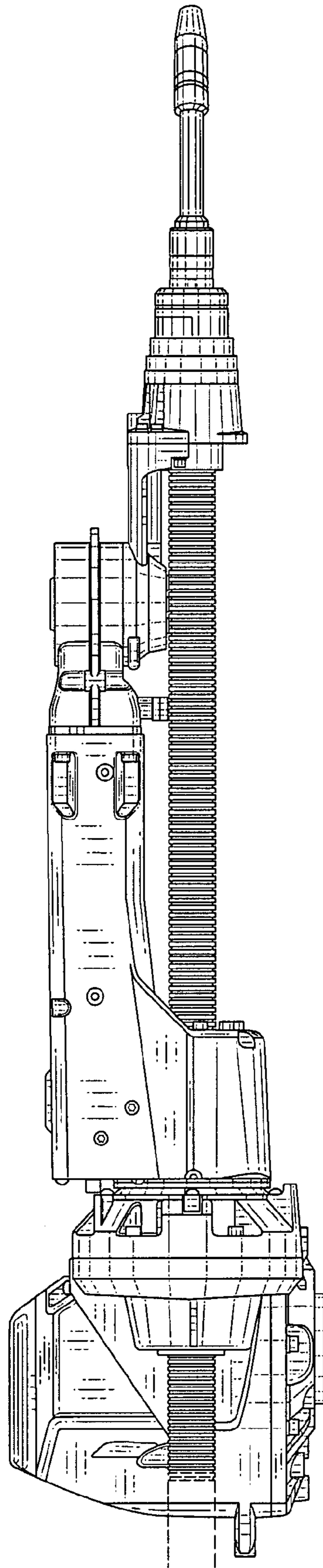


Fig. 5

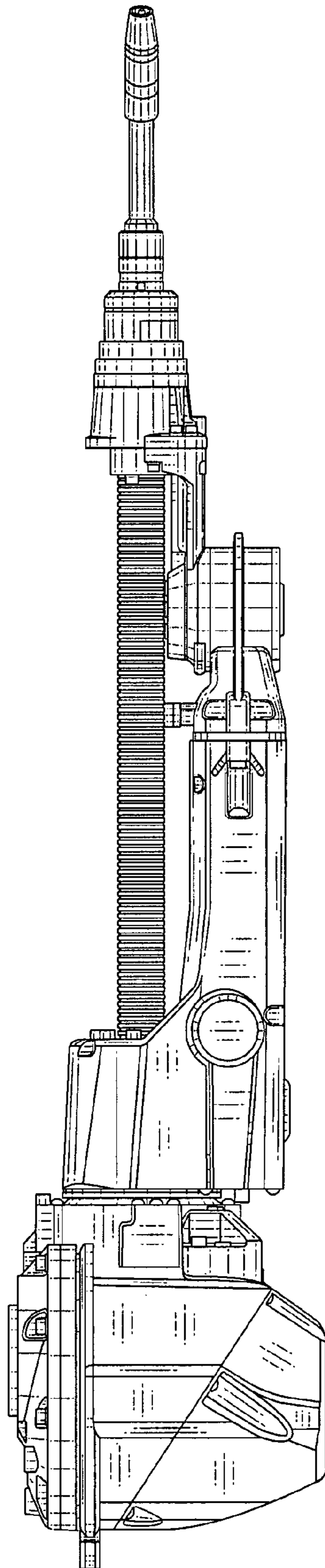


Fig. 6

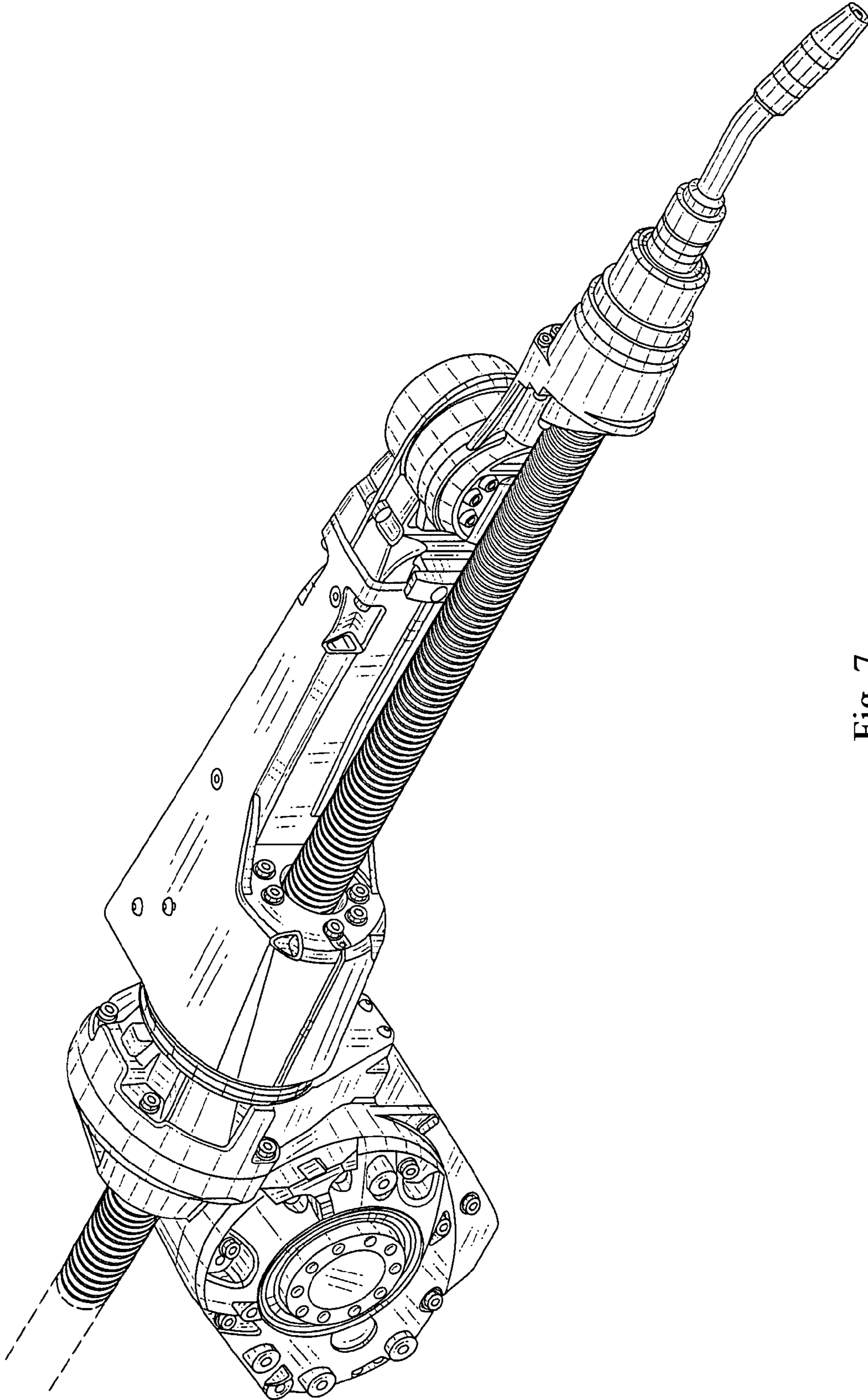


Fig. 7

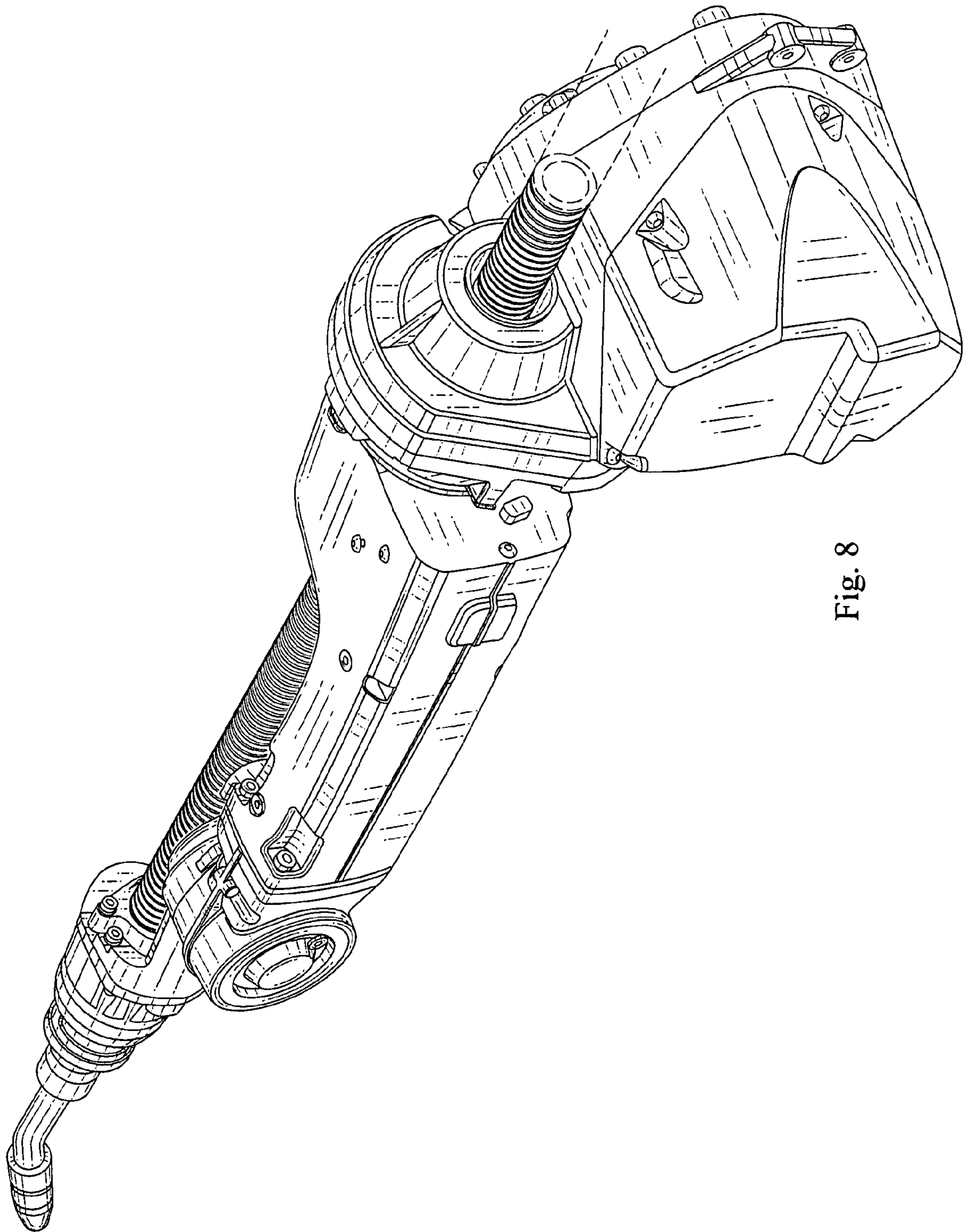


Fig. 8

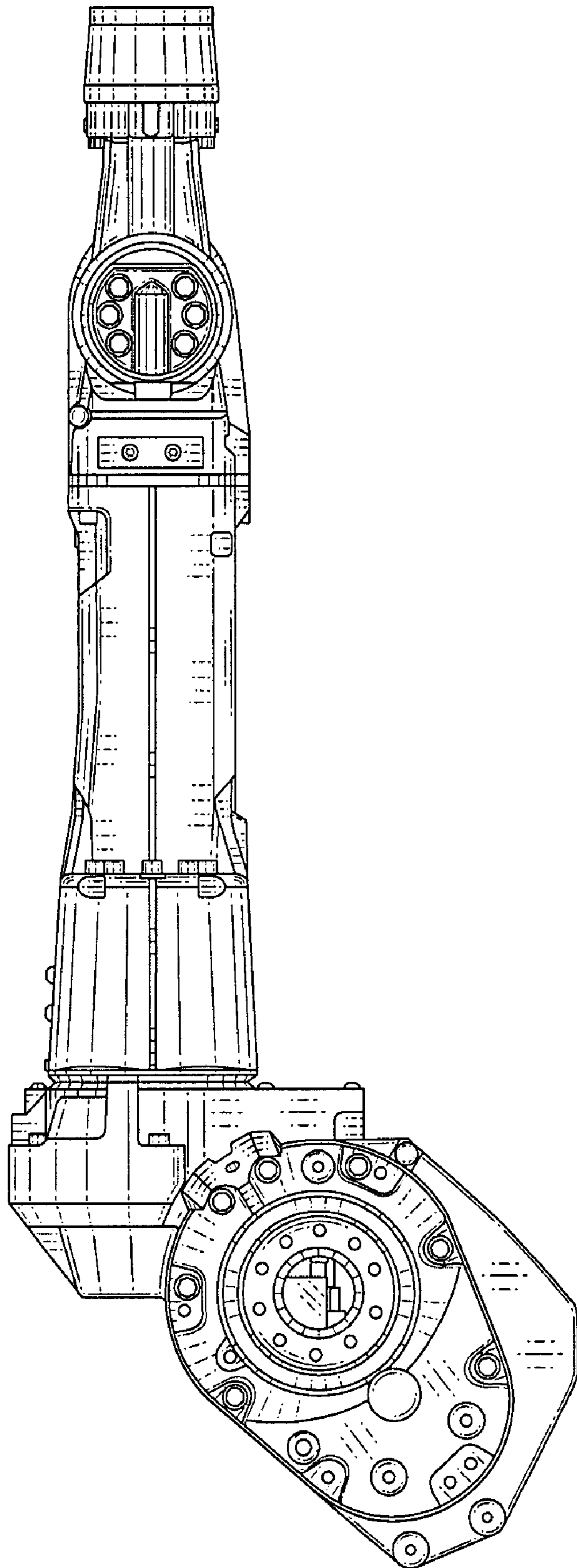


Fig. 9

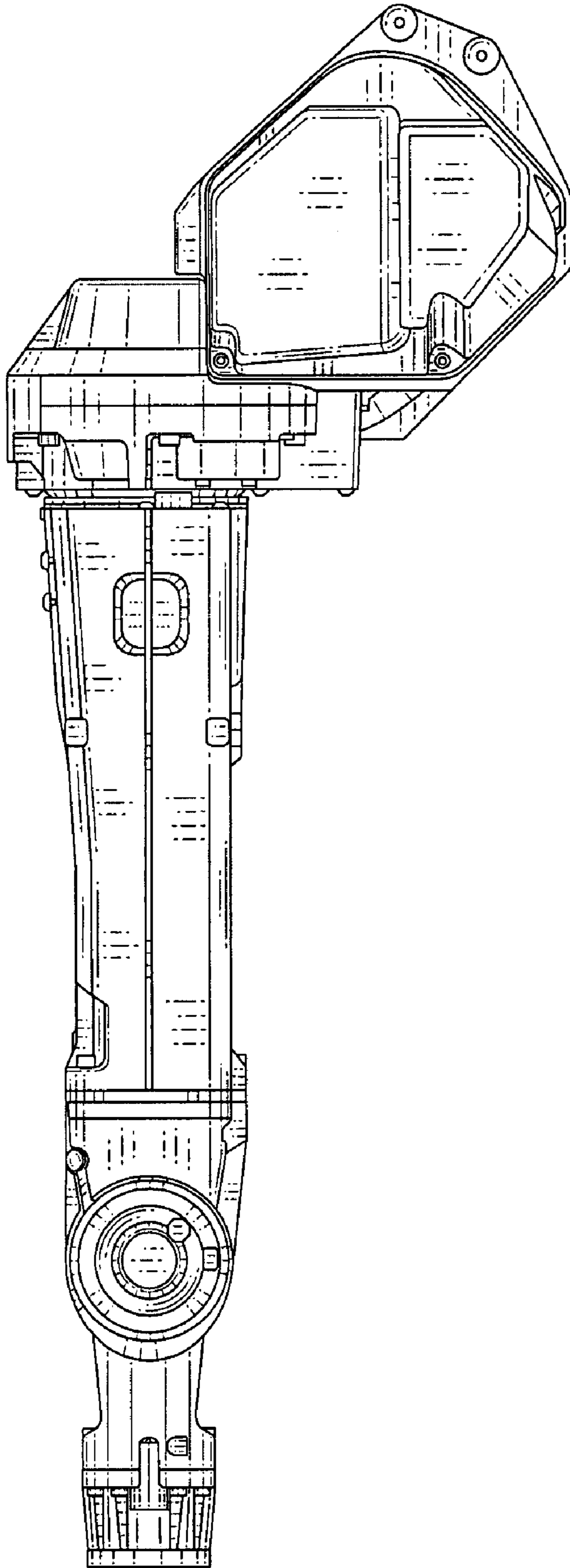


Fig. 10

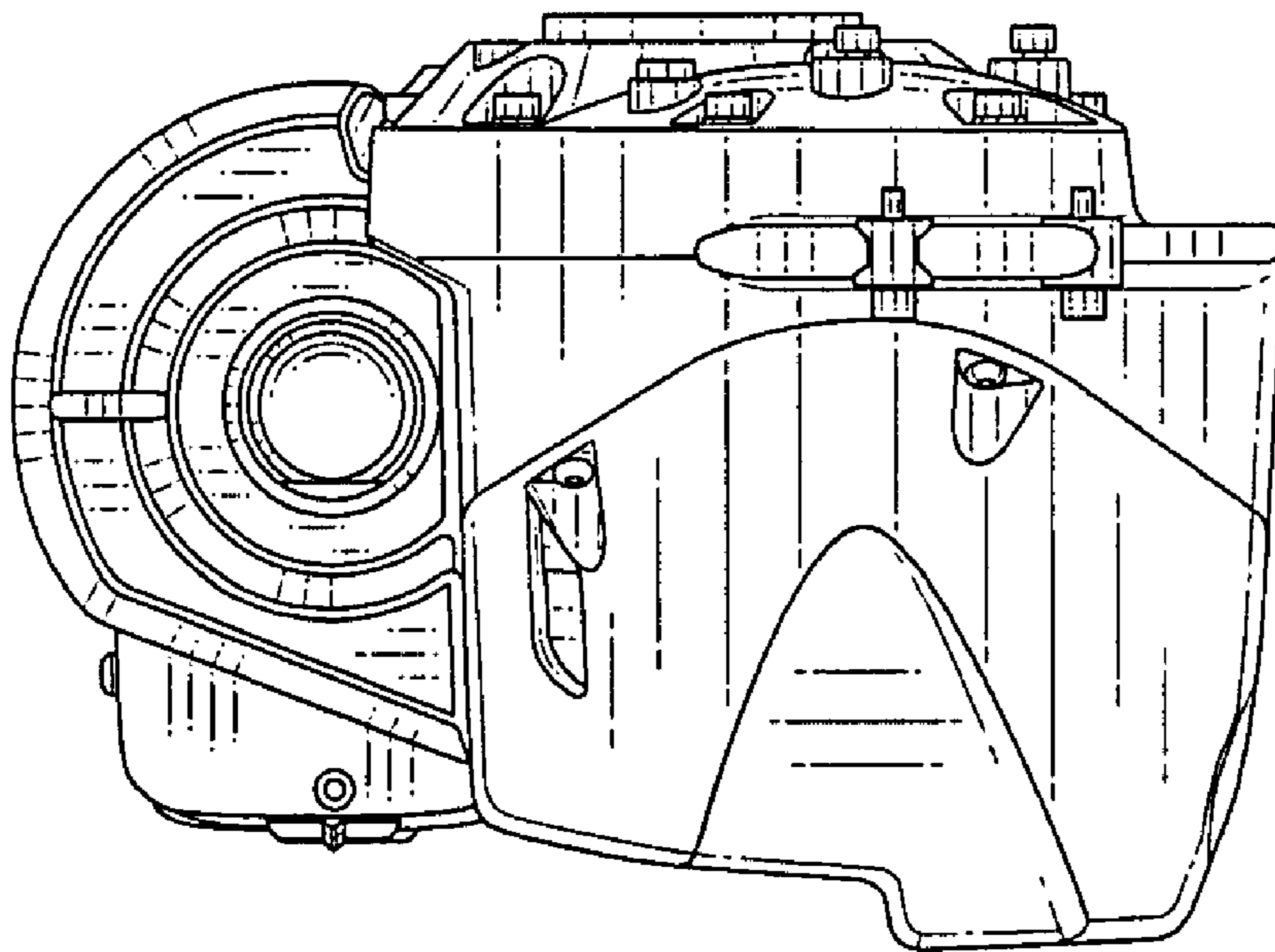


Fig. 11

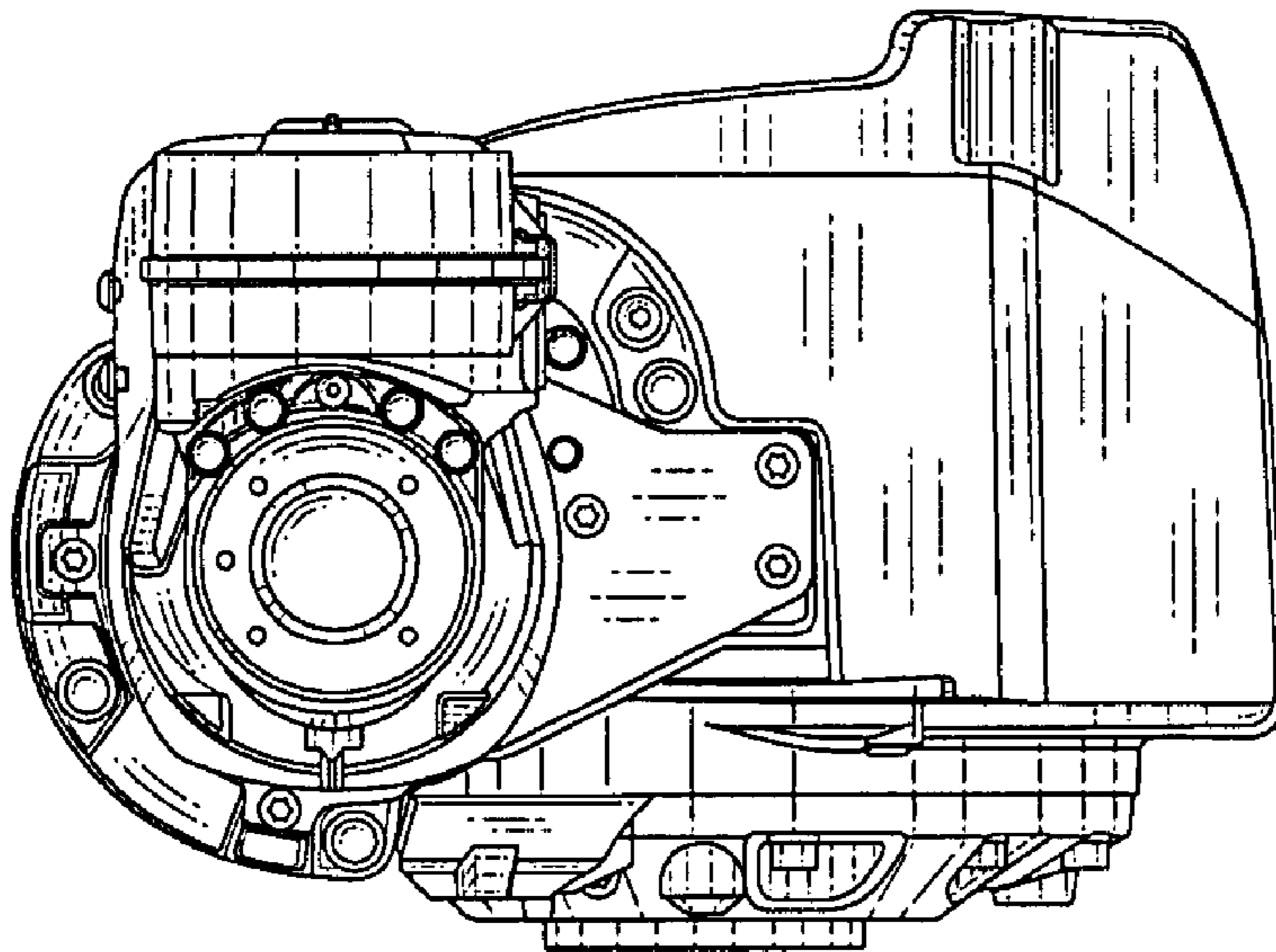


Fig. 12

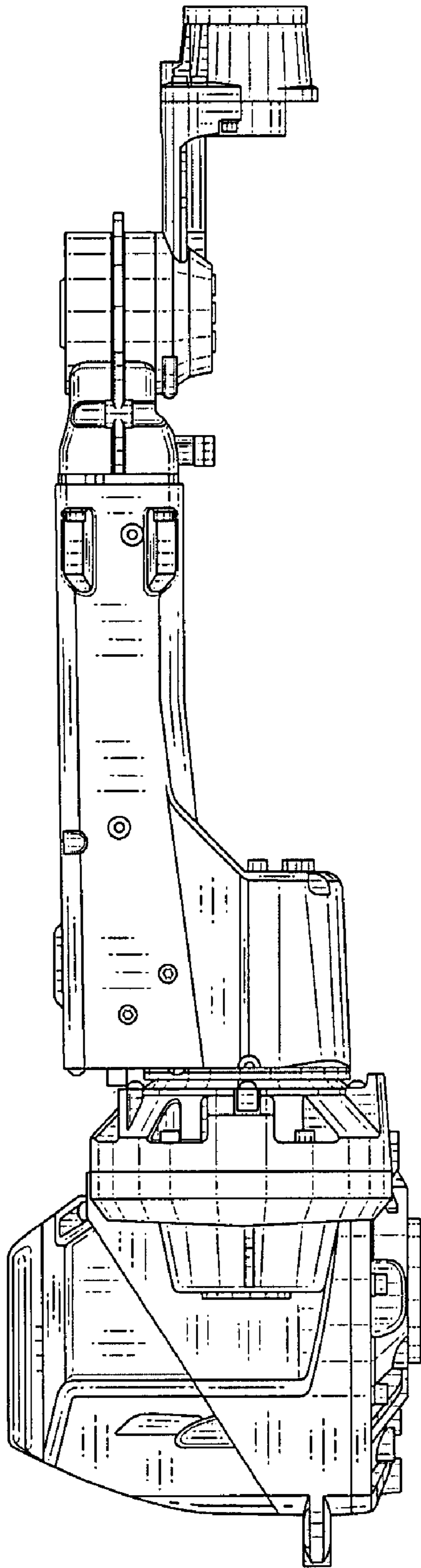


Fig. 13

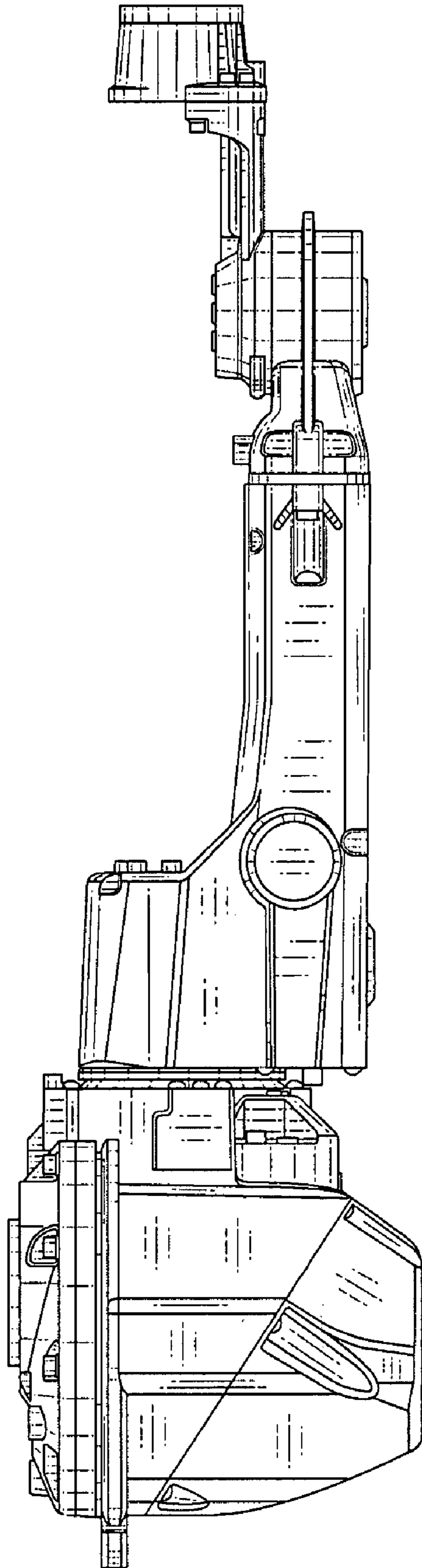


Fig. 14

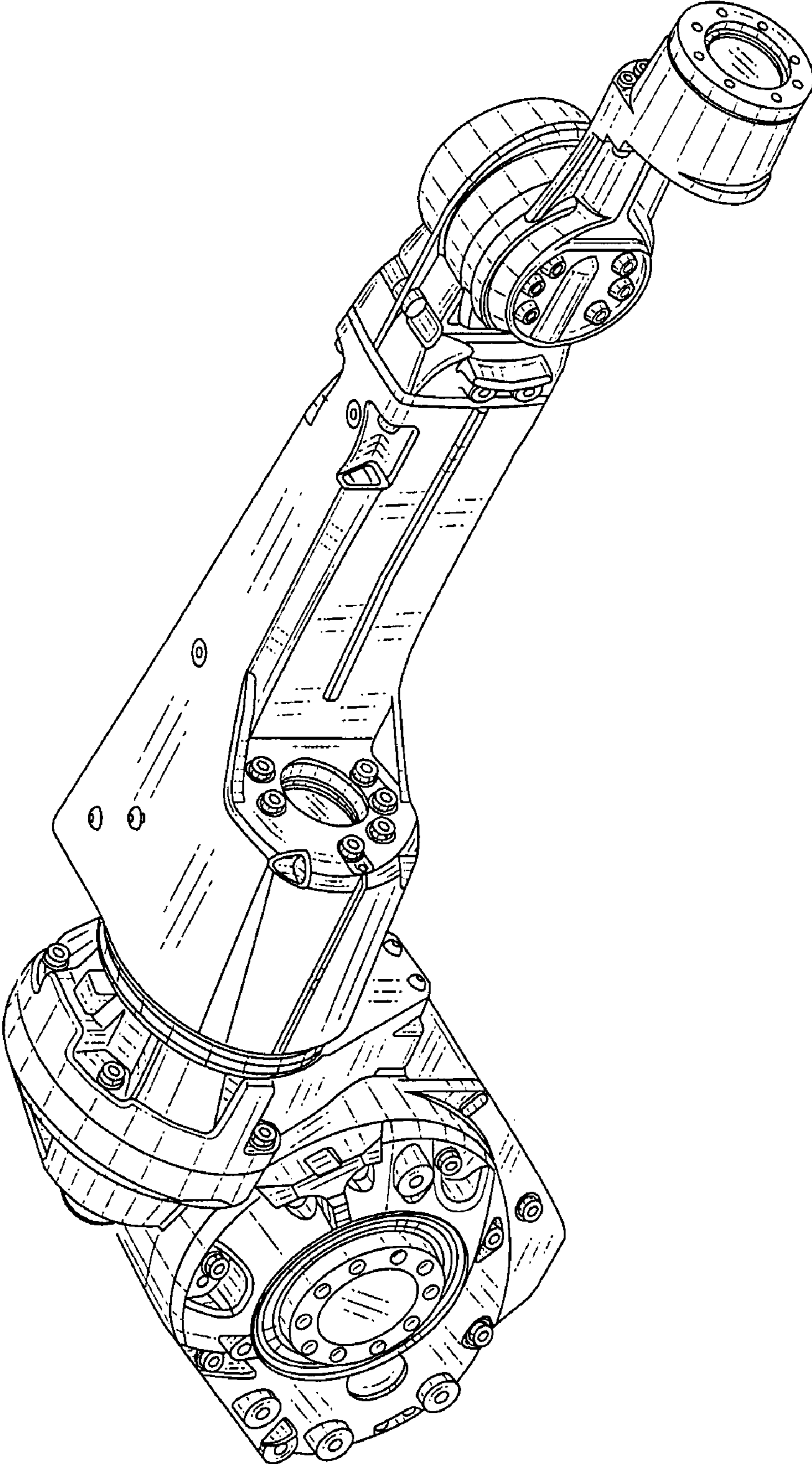


Fig. 15

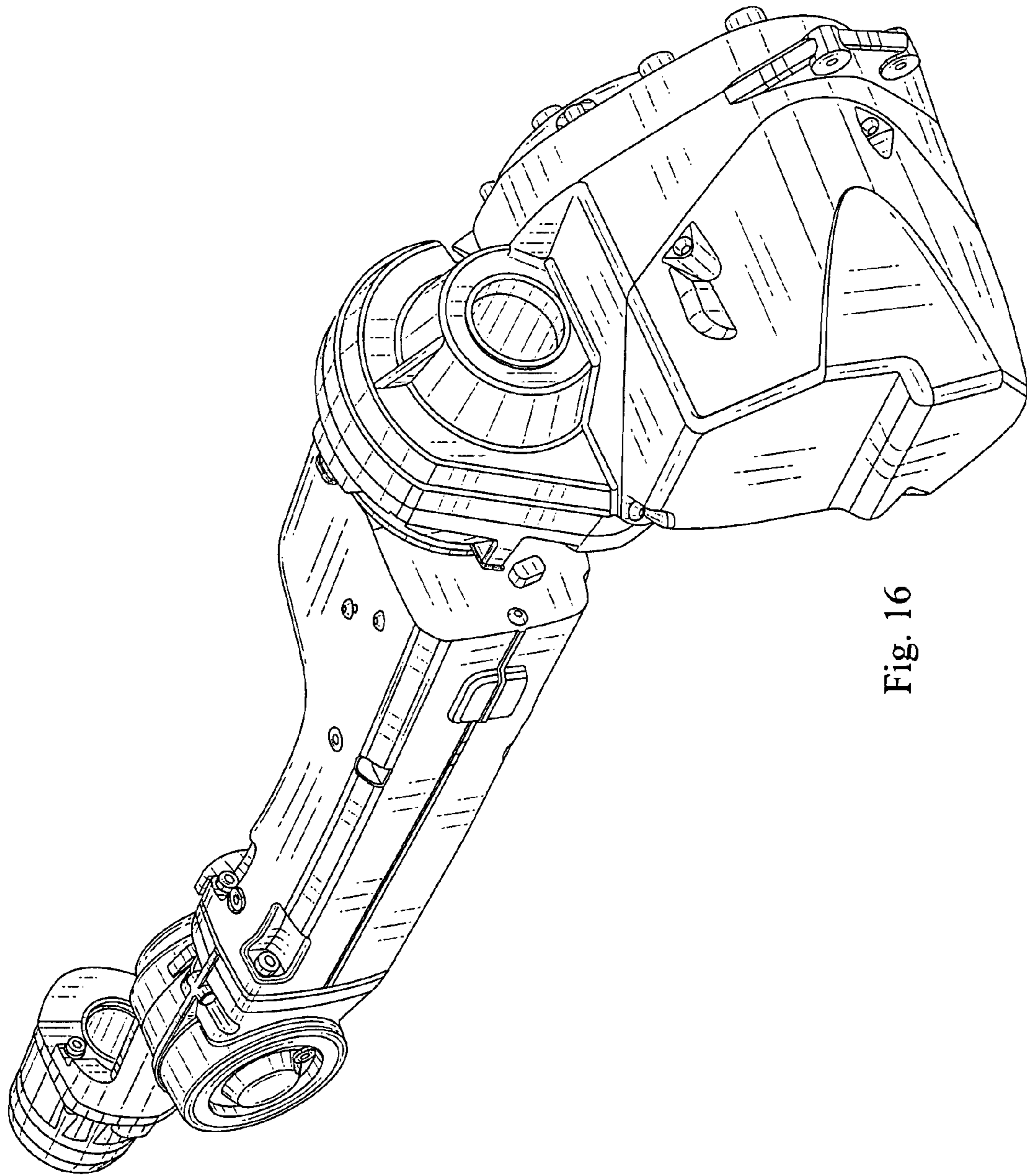


Fig. 16