

US00D569883S

(12) **United States Design Patent**
Wang

(10) **Patent No.:** **US D569,883 S**

(45) **Date of Patent:** **** May 27, 2008**

(54) **MIG WELDER**

(75) Inventor: **Chuanzhu Wang**, Shanghai (CN)

(73) Assignee: **Shanghai Hugong Electric Welding Machine MFG Co., Ltd**, Shanghai (CN)

(**) Term: **14 Years**

(21) Appl. No.: **29/285,682**

(22) Filed: **Apr. 5, 2007**

(30) **Foreign Application Priority Data**

Oct. 18, 2006 (CN) 2006 3 0042094

(51) **LOC (8) Cl.** **15-09**

(52) **U.S. Cl.** **D15/144**

(58) **Field of Classification Search** D15/144-144.2;
219/130, 424; 222/146.5, 152, 156, 189.06,
222/397

See application file for complete search history.

(56) **References Cited**

U.S. PATENT DOCUMENTS

- D270,838 S * 10/1983 Koturov D15/144
- 5,410,126 A * 4/1995 Miller et al. 219/130.1
- D454,578 S * 3/2002 Armbruster et al. D15/144
- D489,741 S * 5/2004 Calco et al. D15/144

- D508,930 S * 8/2005 Crisler et al. D15/144
- D520,038 S * 5/2006 Ljungfeldt D15/144.1
- D530,349 S * 10/2006 Ishihara et al. D15/144.2
- 2005/0258155 A1* 11/2005 DeYoung 219/130.1
- 2006/0043083 A1* 3/2006 Bender et al. 219/133

* cited by examiner

Primary Examiner—Antoine D. Davis

Assistant Examiner—Patricia Palasik

(74) *Attorney, Agent, or Firm*—Mayer & Williams PC;
Stuart H. Mayer, Esq.

(57) **CLAIM**

The ornamental design for a MIG welder, as shown and described.

DESCRIPTION

FIG. 1 is a perspective view of a preferred embodiment of a MIG welder;

FIG. 2 is a front view thereof;

FIG. 3 is a rear view thereof;

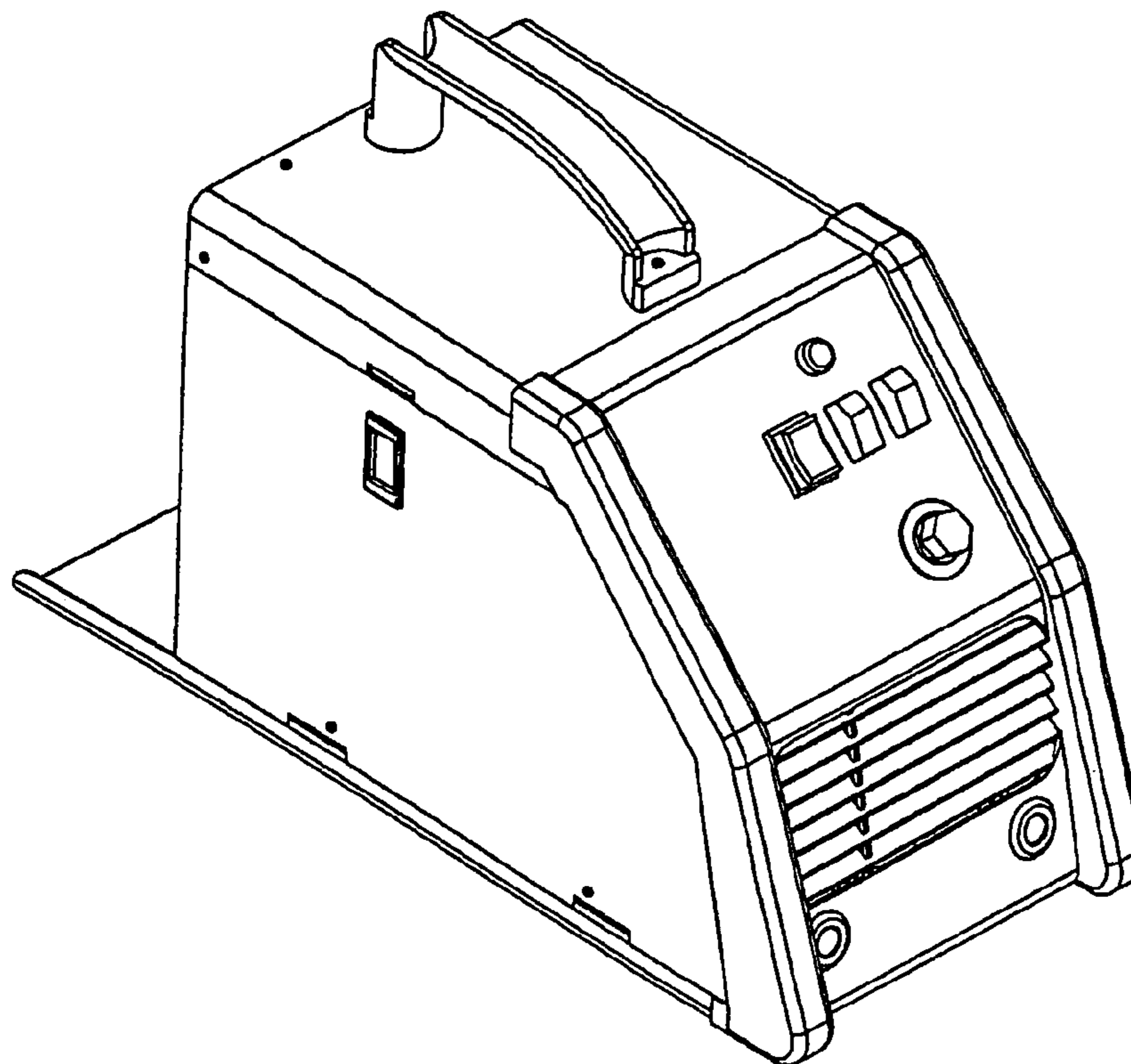
FIG. 4 is a top view thereof;

FIG. 5 is a bottom view thereof;

FIG. 6 is a left-side view thereof; and,

FIG. 7 is a right-side view thereof.

1 Claim, 4 Drawing Sheets



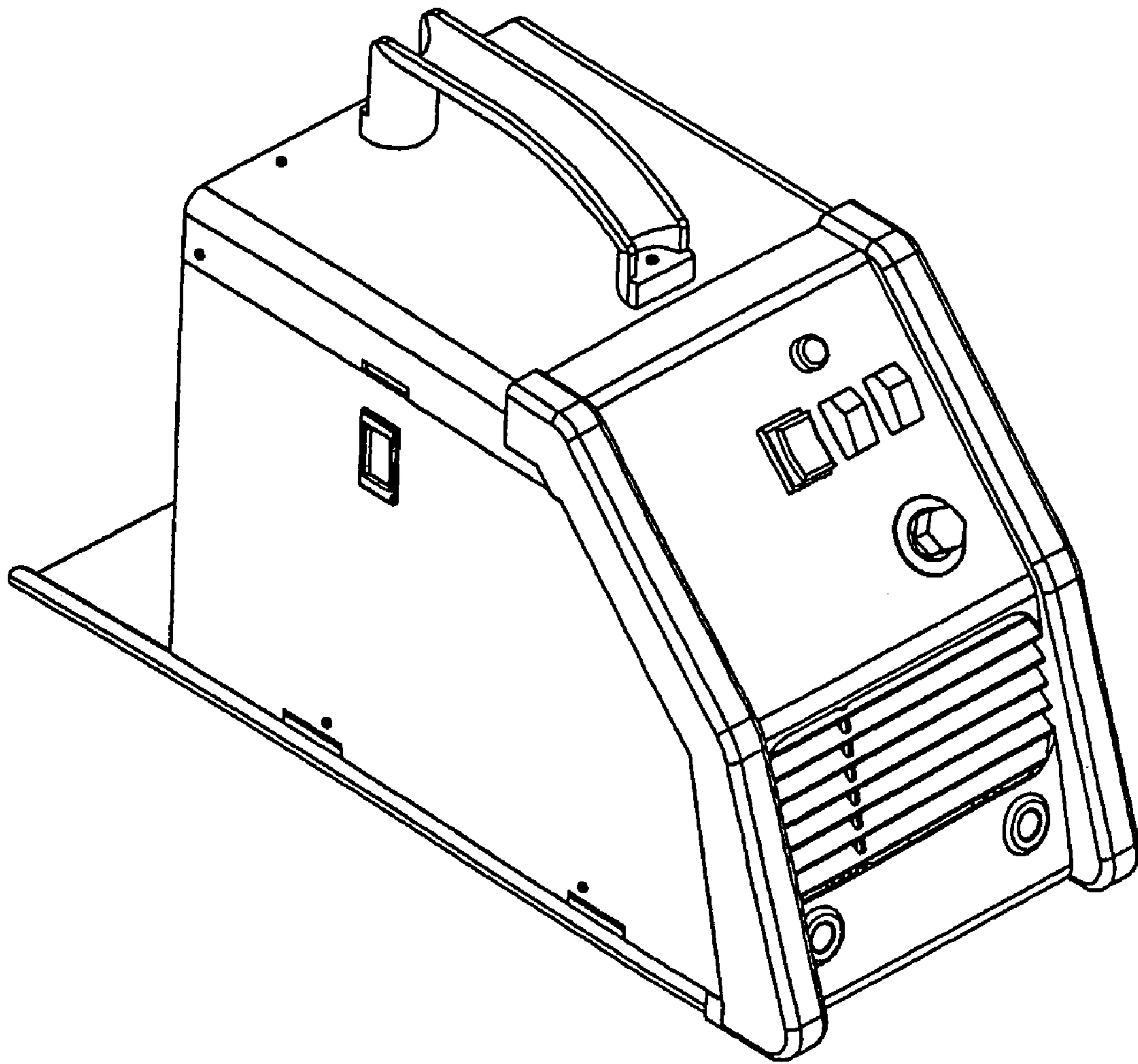


Fig. 1

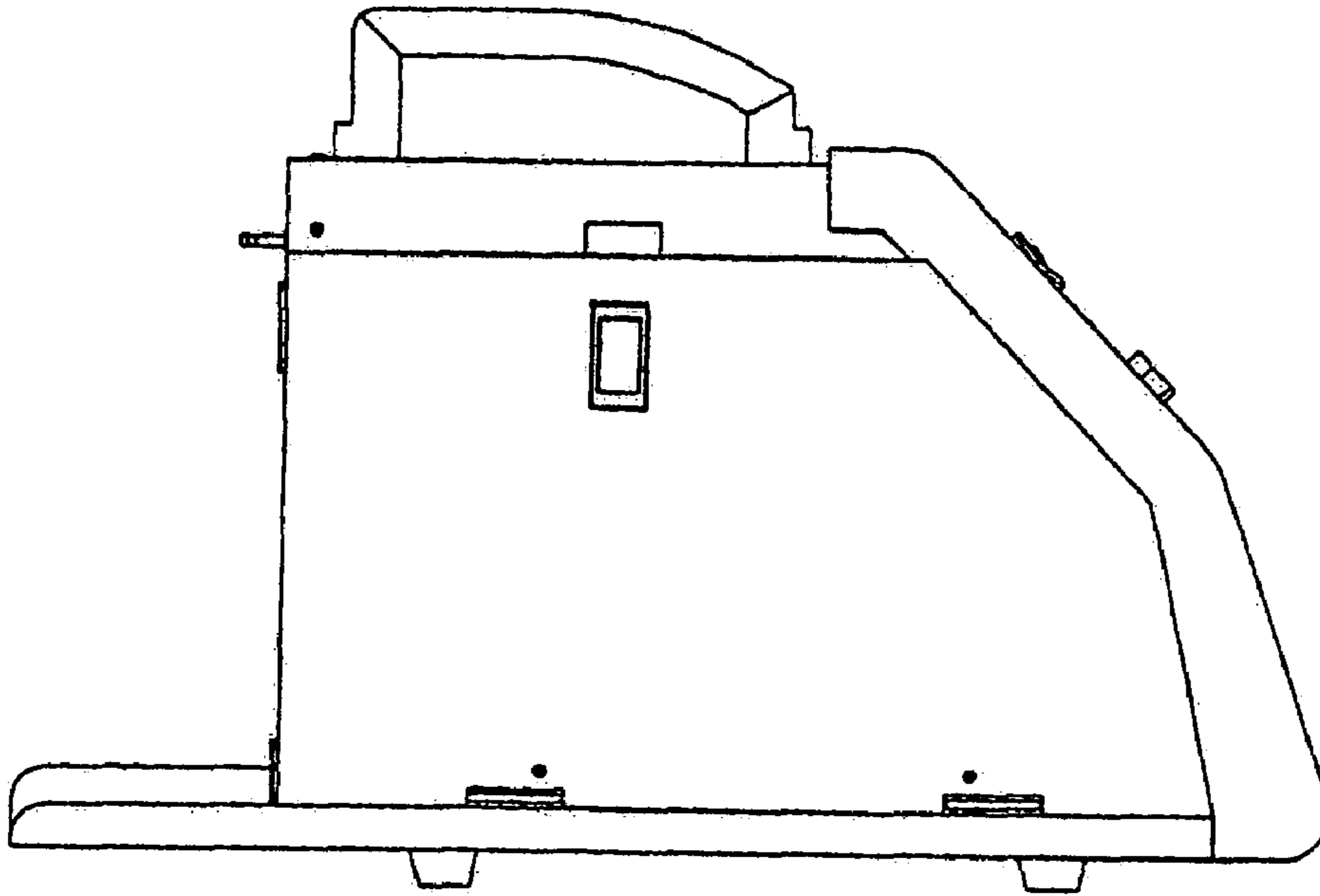


Fig. 2

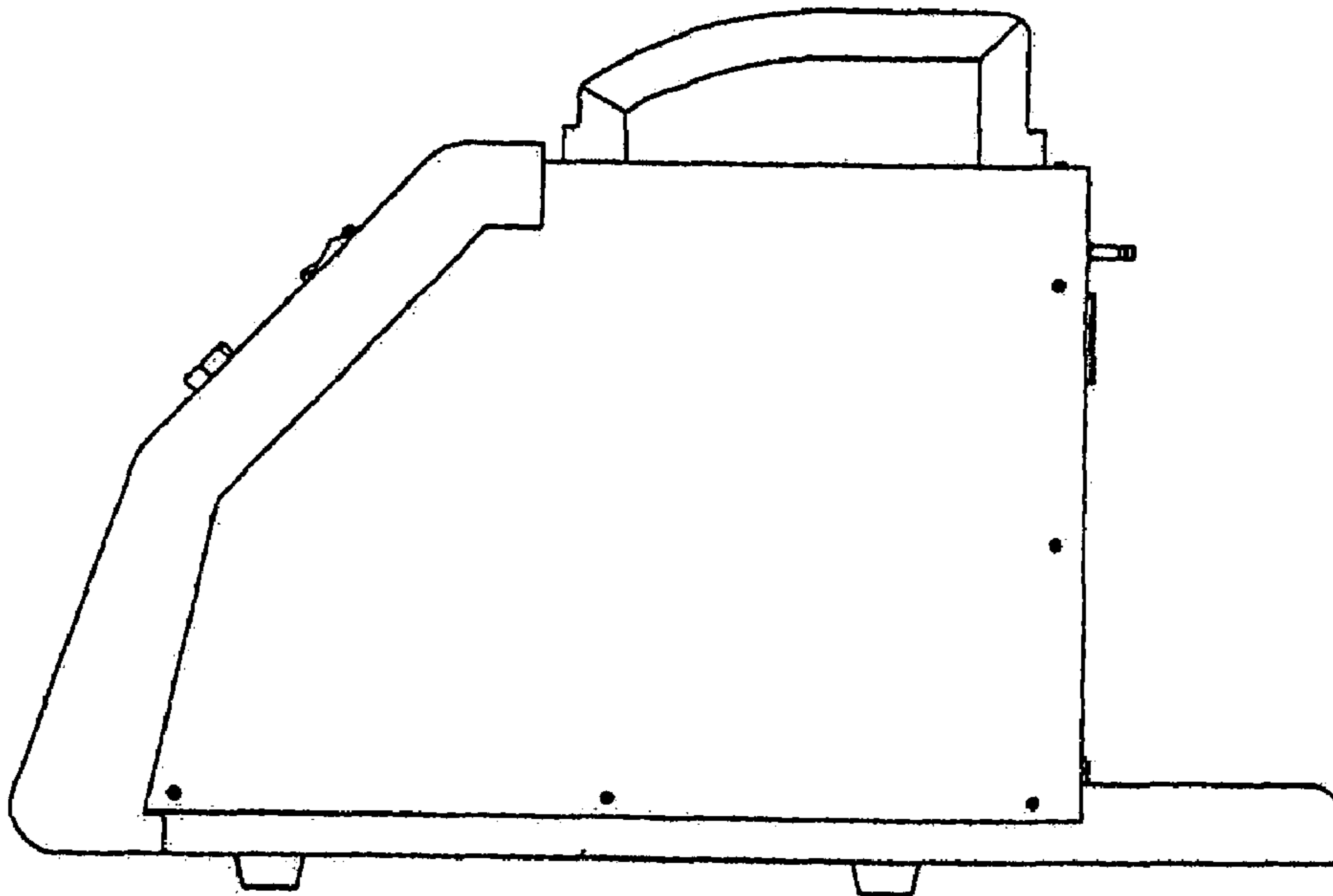


Fig. 3

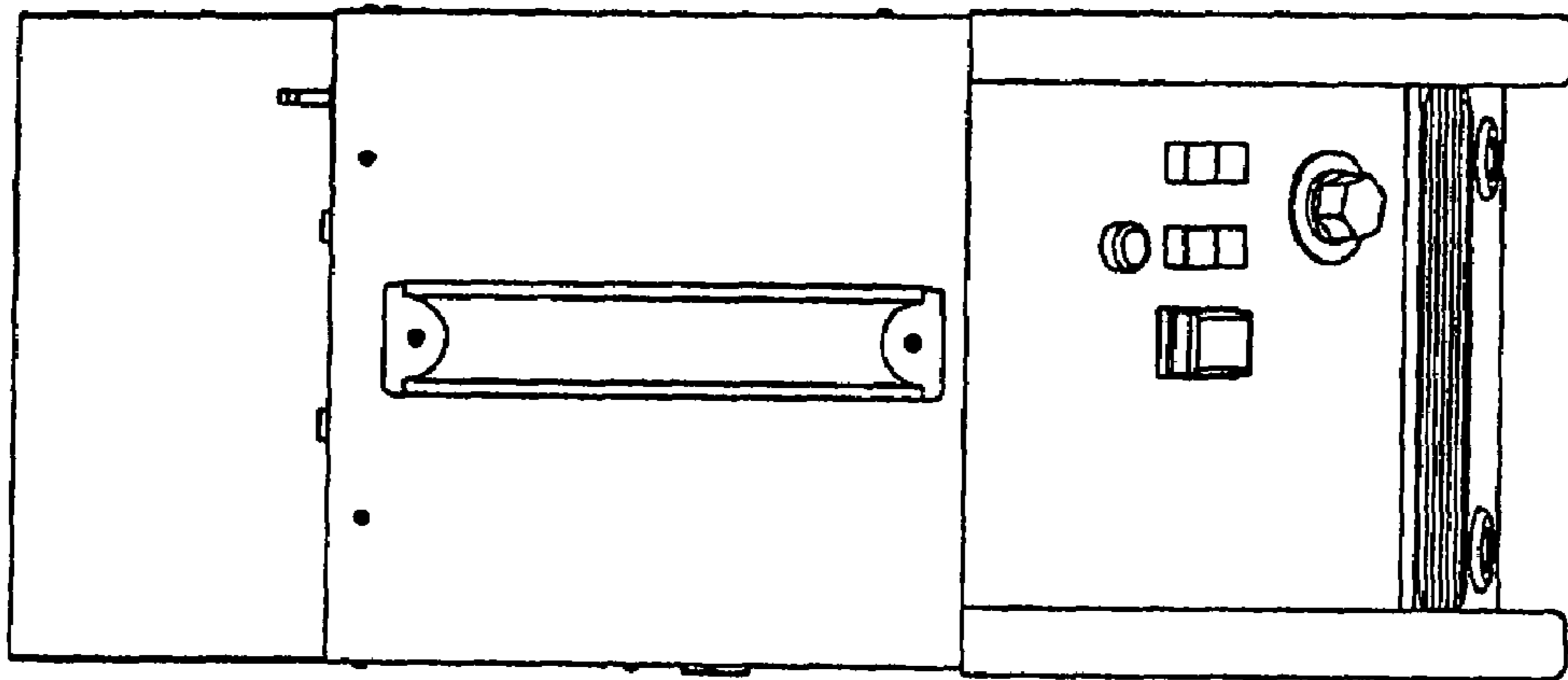


Fig. 4

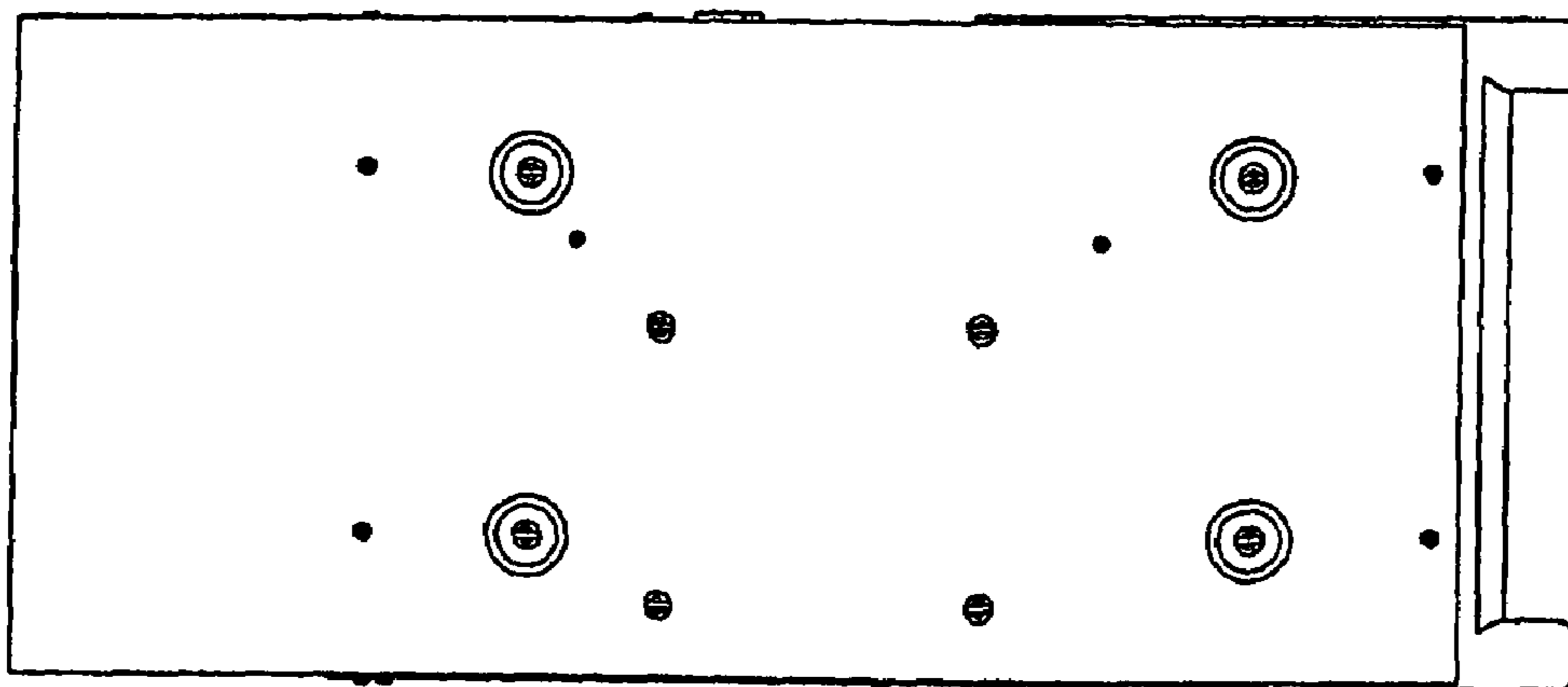


Fig. 5

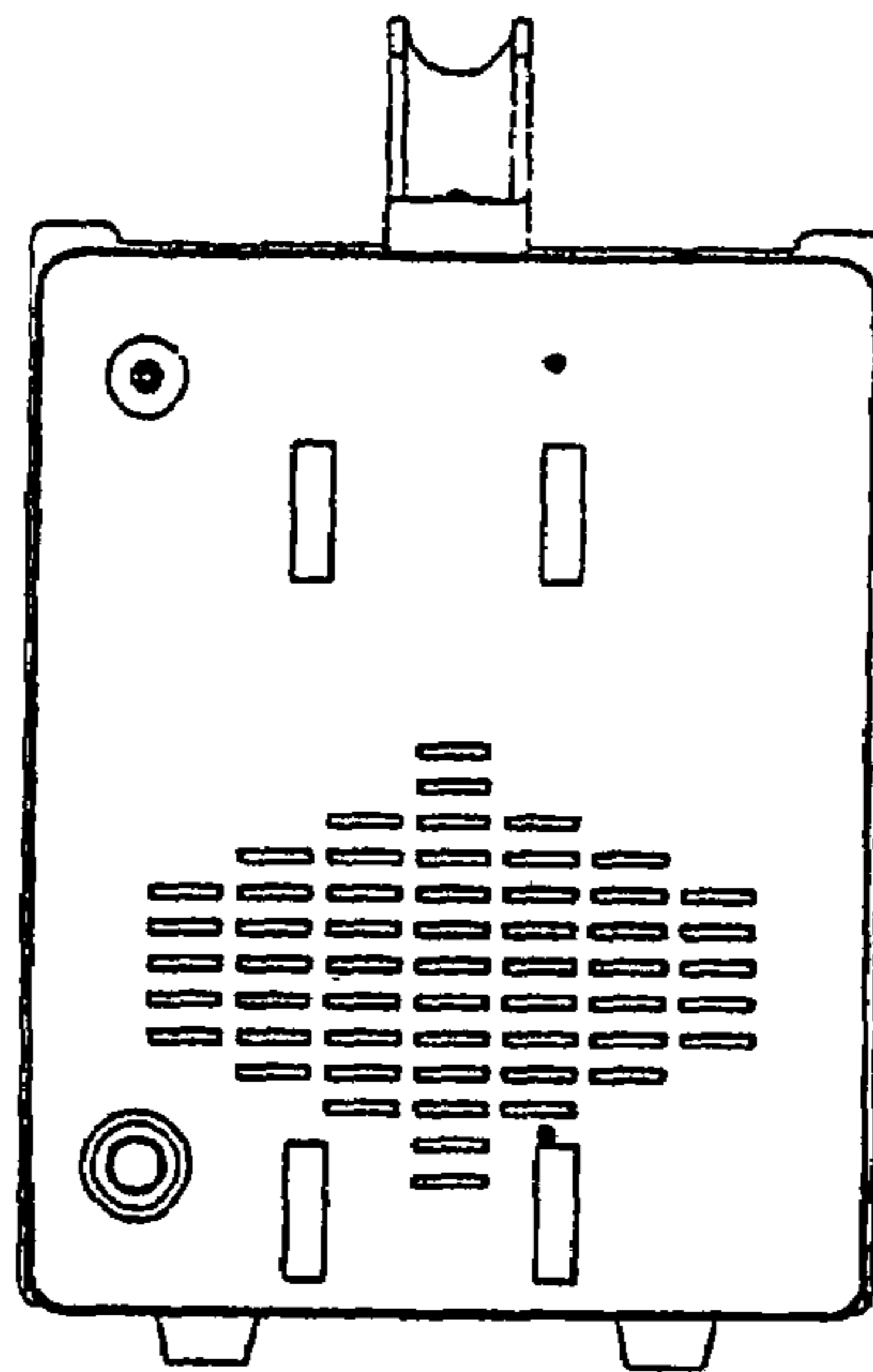


Fig. 6

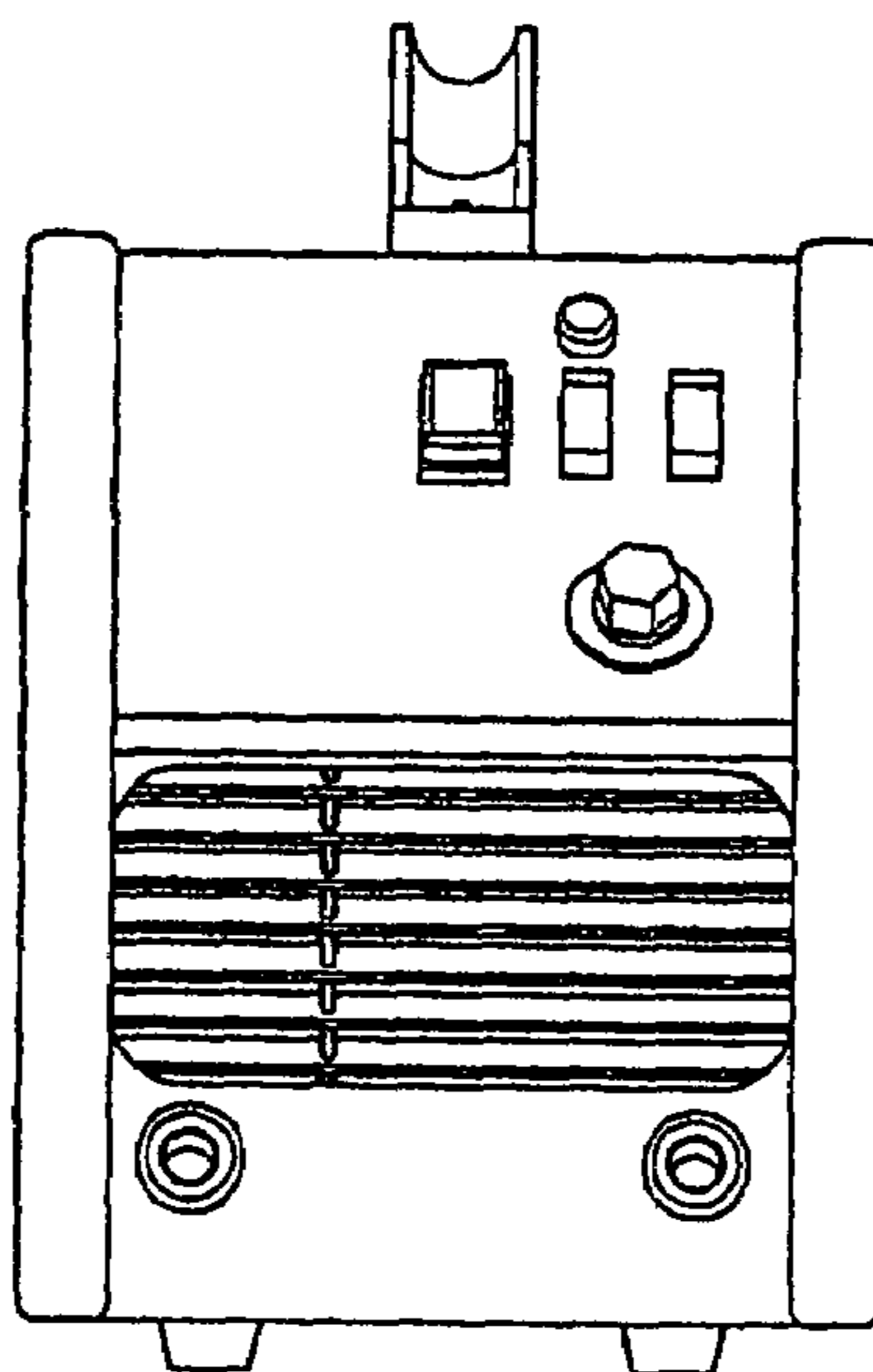


Fig. 7