



US00D569882S

(12) **United States Design Patent** (10) **Patent No.:** **US D569,882 S**
McDaniel et al. (45) **Date of Patent:** **** May 27, 2008**

(54) **MINIATURE VARIABLE-SPACED FINGER ASSEMBLY**

(75) Inventors: **Steven D. McDaniel**, Humboldt, TN (US); **Joseph C. King**, Jackson, TN (US); **Mark A. Etter**, Independence, MO (US)

(73) Assignee: **Black & Decker Inc.**, Newark, DE (US)

(**) Term: **14 Years**

(21) Appl. No.: **29/264,905**

(22) Filed: **Aug. 22, 2006**

(51) **LOC (8) Cl.** **15-09**

(52) **U.S. Cl.** **D15/140**

(58) **Field of Classification Search** D8/71; D15/140; 33/197, 561; 144/41, 85-89, 144/221, 144.5; 269/41, 221

See application file for complete search history.

(56) **References Cited**

U.S. PATENT DOCUMENTS

18,838 A	12/1857	Babbs et al.
266,042 A	10/1882	Merz
475,544 A	5/1892	Dobbie
478,544 A	7/1892	Cordesman et al.
610,272 A	9/1898	Lindwall
1,262,743 A	4/1918	Bronson
1,432,121 A	10/1922	Prickett
1,466,312 A	8/1923	Morcom
1,483,966 A	2/1924	Collins
1,532,467 A	4/1925	Barnett
1,670,074 A	5/1928	Mathez
1,679,074 A	7/1928	Carter
1,751,816 A	3/1930	Hunter
1,841,043 A	1/1932	Moore
1,863,032 A	6/1932	Seelinger
2,036,348 A	4/1936	Miller
2,080,859 A	5/1937	Drapak et al.
2,260,784 A	10/1941	Morton
2,299,602 A	10/1942	Teague

2,607,375 A	9/1952	Gillespie et al.
2,651,847 A	9/1953	Sacrey
2,660,803 A	12/1953	Sacrey
2,764,191 A	9/1956	Hartmann
2,843,167 A	7/1958	Rushton
2,890,730 A	6/1959	Gottlieb
3,057,383 A	10/1962	Waite
3,099,299 A	7/1963	Gilfry

(Continued)

FOREIGN PATENT DOCUMENTS

DE 879012 6/1953

(Continued)

OTHER PUBLICATIONS

Vermont American, Industrial Dovetail Jig, Model #23461, Manual No. 45LCN-72, Aug. 1999, USA.

(Continued)

Primary Examiner—Gary D. Watson
Assistant Examiner—Patricia Palasik
(74) *Attorney, Agent, or Firm*—Goodwin Procter LLP

(57) **CLAIM**

The ornamental design for a miniature variable-spaced finger assembly, as shown and described.

DESCRIPTION

FIG. 1 is a perspective view of the miniature variable-spaced finger assembly.

FIG. 2 is a top view thereof.

FIG. 3 is a bottom view thereof.

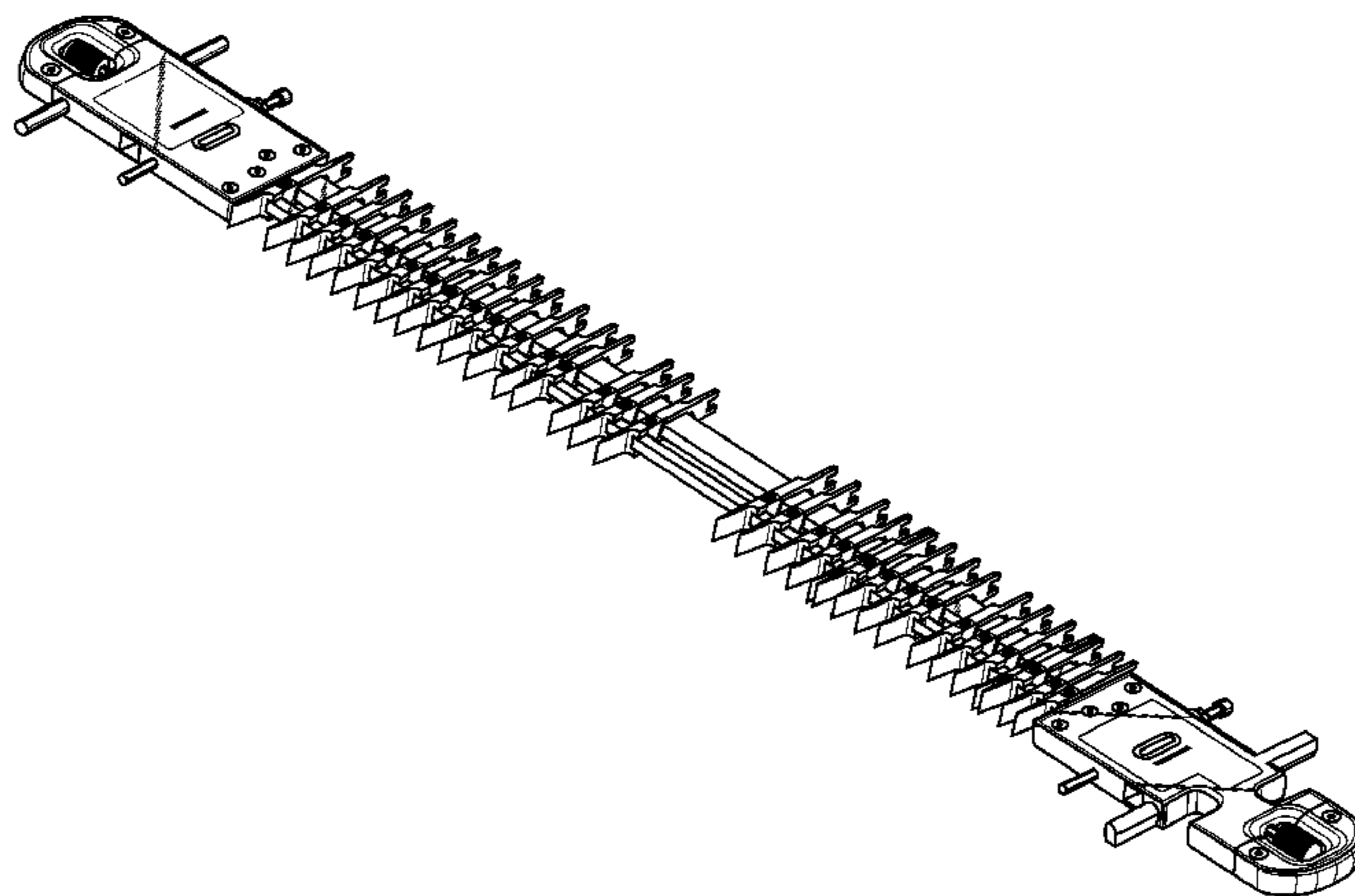
FIG. 4 is a front elevational view thereof.

FIG. 5 is a rear elevational view thereof.

FIG. 6 is a right side elevational view thereof; and,

FIG. 7 is a left side elevational view thereof.

1 Claim, 5 Drawing Sheets



US D569,882 S

U.S. PATENT DOCUMENTS				
		5,114,265	A	5/1992 Grisley
		5,123,463	A	6/1992 Grisley
		5,139,062	A	8/1992 Keller
		5,143,132	A	9/1992 Keller
		5,154,214	A	10/1992 Hagerman
		5,156,508	A	10/1992 Grisley
		5,174,693	A	12/1992 Lee et al.
		5,199,477	A	4/1993 Keller
		5,203,389	A	4/1993 Goodwin
		5,222,997	A	6/1993 Montgomery
		D342,747	S	12/1993 Garcia
		5,273,090	A	12/1993 Klemma
		5,284,331	A	2/1994 Lee et al.
		5,285,831	A	2/1994 Woolgar
		5,289,861	A	3/1994 Hedrick
		5,305,812	A	4/1994 Ferencsik
		D348,195	S	6/1994 Higgins et al.
		5,318,082	A	6/1994 Von Hollen
		5,325,899	A	7/1994 Kochling
		5,337,641	A	8/1994 Duginske
		5,345,983	A	9/1994 De Abreu
		5,396,937	A	3/1995 Clausen
		5,421,384	A	6/1995 Nuwordu
		5,423,357	A *	6/1995 Szymanski 144/87
		5,423,360	A	6/1995 Taylor et al.
		5,452,751	A	9/1995 Engler, III et al.
		5,458,171	A	10/1995 Ward
		5,492,160	A	2/1996 McCracken
		5,494,089	A	2/1996 Lubbe
		5,513,437	A	5/1996 Whyte
		5,533,556	A	7/1996 Whitney
		5,562,208	A	10/1996 Hasler et al.
		5,564,483	A	10/1996 Sacchi
		5,584,328	A	12/1996 Grisley
		5,598,878	A	2/1997 Wirth, Jr. et al.
		5,617,909	A	4/1997 Duginske
		5,630,455	A	5/1997 Julien
		5,647,707	A	7/1997 Poulin
		5,692,861	A	12/1997 Stottmann
		5,694,992	A	12/1997 Kikuchi
		5,694,994	A	12/1997 Engler, III et al.
		5,697,415	A	12/1997 Kozyrski et al.
		5,711,356	A *	1/1998 Grisley 144/144.51
		5,738,470	A	4/1998 Sugita
		5,738,966	A	4/1998 Okuno et al.
		5,779,407	A	7/1998 Tucker et al.
		5,807,033	A	9/1998 Benway
		5,809,631	A	9/1998 Poulin
		5,813,807	A	9/1998 Rogers
		5,816,300	A	10/1998 Rogers
		5,823,239	A	10/1998 Smith
		5,832,977	A *	11/1998 Hampton 144/144.51
		5,853,035	A	12/1998 Rose
		5,862,848	A	1/1999 Beall
		5,868,183	A	2/1999 Kozyrski et al.
		5,893,402	A	4/1999 Darling
		5,908,061	A	6/1999 Blichmann
		5,918,652	A	7/1999 Tucker
		5,931,208	A	8/1999 Gifkins
		6,012,497	A	1/2000 Stottmann
		6,032,706	A	3/2000 Lear
		6,039,095	A	3/2000 Newman
		6,041,837	A	3/2000 Hanson
		6,061,921	A	5/2000 Adams et al.
		6,065,913	A	5/2000 Rogers
		6,068,036	A	5/2000 Cassidy
		6,076,575	A	6/2000 Harkness
		6,116,303	A	9/2000 Hampton
		6,116,826	A	9/2000 Benway
		6,138,372	A	10/2000 Newman
		6,148,879	A	11/2000 Liao
		6,158,487	A	12/2000 Licari
		6,182,371	B1	2/2001 Newman

6,206,060	B1	3/2001	Blake	Fusso Machinery Corp., Easy-to-Operate Dovetail Machine, http://fusso.trustpass.alibaba.com/product/10770195/
6,289,956	B1	9/2001	Shriver	Easy_to_Operate_Dovetail_Machine.html , p. 2-3, (printed Nov. 17, 2005).
6,315,017	B1	11/2001	Stottmann	Akeda DC User Manual, © 2002-2005 Akeda Jigs Incorporated; Akeda Canada, P.O. Box 700, the Old Laughing Creek Steam Works, Brackendale BC, V0N 1H0, Canada; www.akeda.com ; 26 pages.
6,357,194	B1	3/2002	Jones, Jr.	Porter-Cable, Instruction Manual, Dovetail Jig, Models 4210 & 4212, May 27, 2005.
6,363,982	B1	4/2002	Nixon, Jr.	Porter-Cable Omnijig Dovetail Machines Instruction Manual, Model 7116; Part No. 888381-794; Porter-Cable Corporation, 4825 Highway 45 North, Jackson TN 38305; http://www.porter-cable.com ; 28 pages).
6,374,878	B1	4/2002	Mastley et al.	Porter-Cable, Omnijig Dovetail Machine, Parts List for 5116 Type 1, © 2005.
6,401,772	B1	6/2002	Beitl	One (1) image of Porter-Cable Model 517, Lock Face Templet; Porter-Cable Corporation, 4825 Highway 45 North, Jackson, TN 38305; Porter-Cable Catalog, PC-912, p. 137, 1995; 1 page.
6,422,276	B1 *	7/2002	Kevan 144/144.51	One (1) image of Porter-Cable Model 517, Lock Face Templet; Porter-Cable Corporation, 4825 Highway 45 North, Jackson, TN 38305; http://media.ptg-online.com/20040310083334_517_72dpi_500.jpg ; 1 page.
6,470,930	B1	10/2002	Stottmann	One (1) image of Porter-Cable Model 59381, Hinge Butt Templet Kit; Porter-Cable Corporation, 4825 Highway 45 North, Jackson, TN 38305; Porter-Cable Catalog, PC-912, p. 134, 1995; 1 page.
6,499,224	B1	12/2002	Asick	Two (2) images of Porter-Cable Model 59381, Hinge Butt Templet; Porter-Cable Corporation, 4825 Highway 45 North, Jackson, TN 38305; 2 pages.
6,516,842	B1	2/2003	Chang	Five (5) images of Porter-Cable Model 59370, Door Hinge Templet; Porter-Cable Corporation, 4825 Highway 45 North, Jackson, TN 38305; 5 pages.
6,588,468	B1	7/2003	Tucker et al.	Four (4) images of Rockwell Model 521, Stair Templet Without Clamping Devices; Power Tool Division/Rockwell International, Pttsburgh, PA 15208; 4 pages.
6,607,016	B2	8/2003	Jones	Three (3) images of Modern Woodworking by Willis H. Wagner; Illustrating use of Rockwell Model 521, Stair Templet With Clamp Devices; © 1980 The Goodheart-Willcox Co., Inc., pp. 252-253; 3 pages.
D481,402	S	10/2003	Jenkins et al.	Trend MT Jig Review, http://benchmark.20m.com/reviews/TrendMortiseJig/TrendMT_JigReview.html ; Nov. 09, 2005; 5 pages.
6,675,849	B1	1/2004	Lackley	Leigh Versus Akeda Dovetail Jig, http://benchmark.20m.com/articles/LeighVersusAkeda.html ; Nov. 09, 2005; 8 pages.
6,679,659	B1	1/2004	Lasch et al.	Katie Jig System brochure; Hampton House Inc., P.O. Box 7103, Greenwood, IN 46142-6421; http://www.katijig.com/KJ8PG.pdf ; U.S. Patent Nos. 5,832,977 and 6,116,303; Nov. 09, 2005; 8 pages.
6,705,810	B1	3/2004	Sugita	The Katie Jig Manual, © 1997-2000 Hampton House, Inc. Hampton House Inc., P.O. Box 7103, Greenwood, IN 46142-6421; http://www.katijig.com ; U.S. Patent No 5,832,977; Nov. 09, 2005; 34 pages..
6,736,173	B1	5/2004	Grisley et al.	Porter-Cable Dovetail Machine, Parts List; Model 4112; Parts List No. 900488-0011; 201 2000 Porter-Cable Corporation, 4825 Highway 45 North, Jackson TN 38305; 15 pages.
RE38,612	E	10/2004	Tucker et al.	Porter-Cable Dovetail Fixture/Jig Instruction Manual, Model 4112; Part No. 900487-Sep. 12, 2003; © 2003 Porter-Cable Corporation, 4825 Highway 45 North, Jackson, TN 38305; 3 pages.
6,799,615	B2	10/2004	Smith	Porter-Cable Omnijig Dovetail Machine Parts List; Model 7116; Parts List No 876389-002; © 2000 Porter-Cable Corporation, 4825 Highway 45 North, Jackson, TN 38305; 3 pages.
6,834,730	B2	12/2004	Gass et al.	
6,851,900	B2	2/2005	Tillemans et al.	
6,899,152	B2	5/2005	Godfrey	
6,926,477	B2	8/2005	Allemann et al.	
2001/0011564	A1	8/2001	Darling	
2002/0066497	A1	6/2002	Froggatt	
2003/0041709	A1	3/2003	Jones	
2003/0073395	A1	4/2003	Faccin et al.	
2003/0145705	A1	8/2003	Miller	
2003/0159758	A1	8/2003	Smith	
2003/0172993	A1	9/2003	Godfrey	
2003/0196726	A1	10/2003	Tucker et al.	
2003/0230359	A1	12/2003	Schroeder	
2004/0050451	A1	3/2004	Dahlhoff	
2004/0126197	A1	7/2004	Allemann et al.	
2004/0149112	A1	8/2004	Snell	
2004/0206865	A1	10/2004	Chang	
2004/0250880	A1	12/2004	Dement	
2005/0022899	A1	2/2005	Chang	
2005/0056344	A1	3/2005	Freidlund	
2005/0056345	A1	3/2005	Duginske	
2005/0115639	A1	6/2005	Bagnall	
2005/0161357	A1	7/2005	Allan et al.	
2005/0236069	A1	10/2005	O'Brien	
2006/0138722	A1	6/2006	Webster et al.	
2006/0283524	A1 *	12/2006	McDaniel et al. 144/144.51	

FOREIGN PATENT DOCUMENTS

DE	3430496	A1	2/1986
DE	3517146	A1	11/1986
DE	4016834	A1	11/1991
DE	4403534	A1	8/1995
DE	19715422	A1	10/1998
DE	19715424	A1	10/1998
EP	0320869	A2	12/1987
GB	2238752	A	6/1991
WO	WO 02/057058	A2	7/2002

OTHER PUBLICATIONS

Vermont American, Dovetail Fixture Kit, Owner's Manual Model No. 23460, Feb. 1996, USA.

* cited by examiner

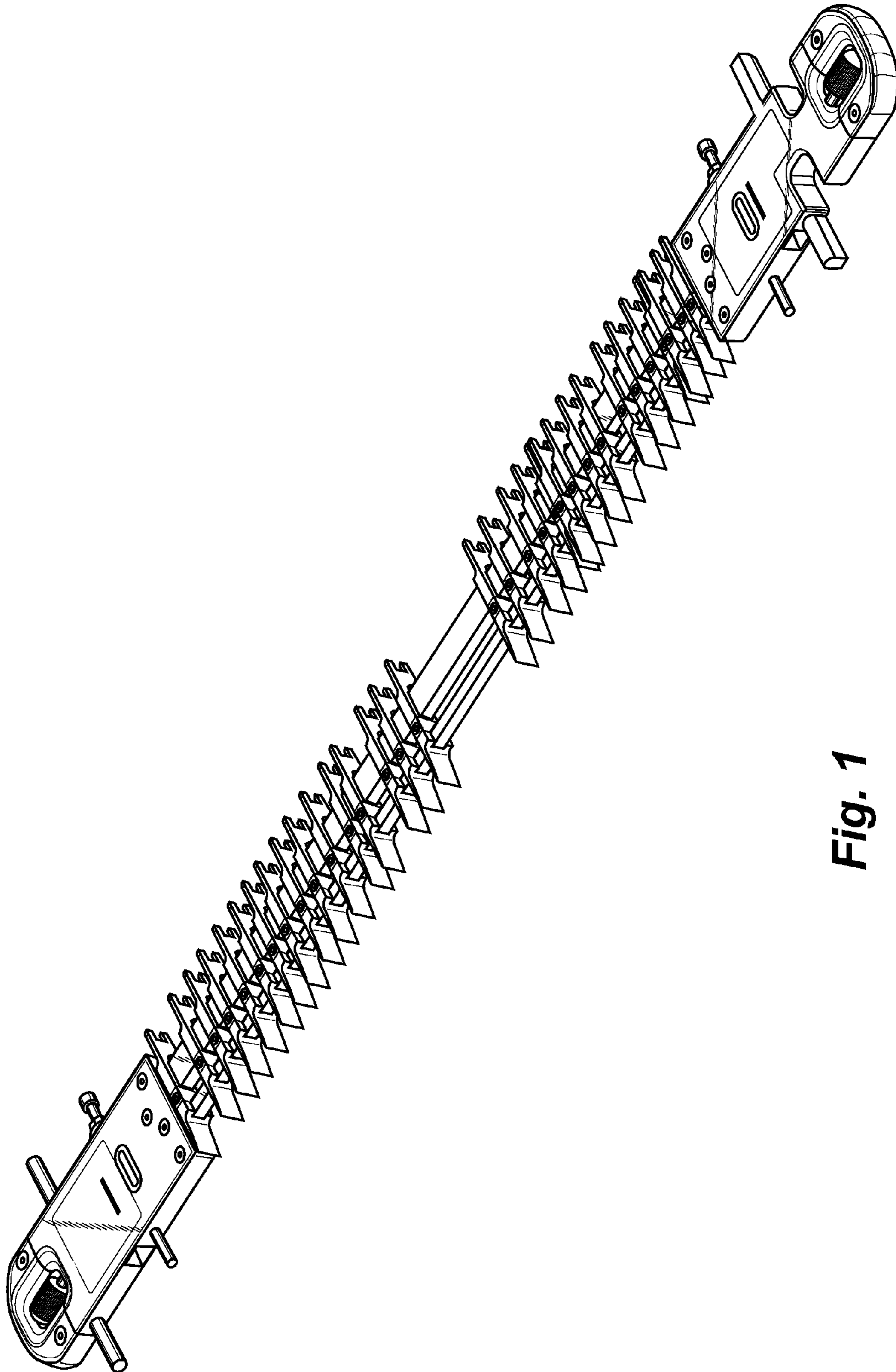


Fig. 1

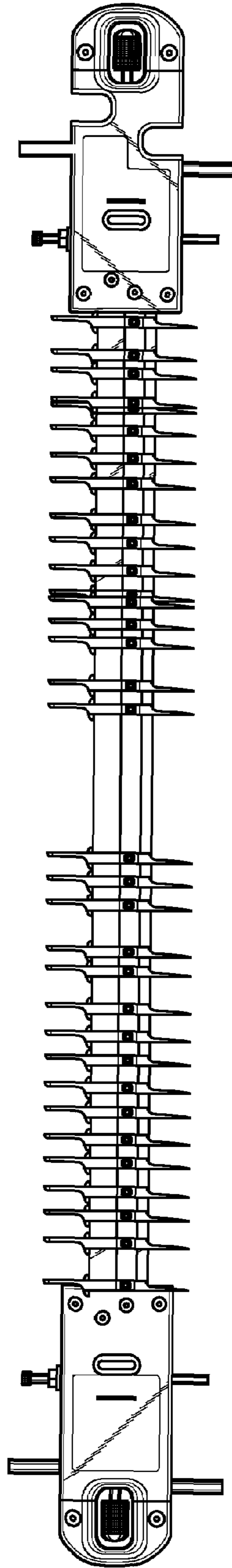


Fig. 2

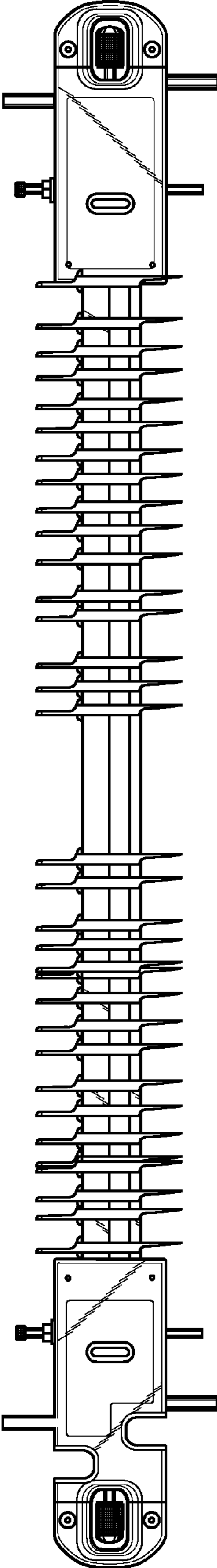


Fig. 3

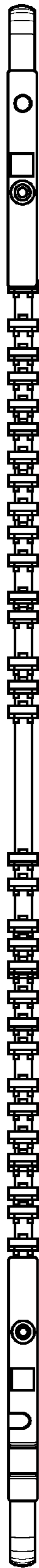


Fig. 4



Fig. 5

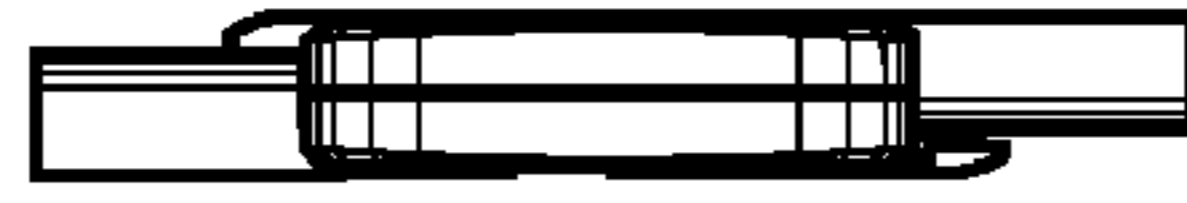


Fig. 6



Fig. 7