

US00D569881S

(12) **United States Design Patent** (10) **Patent No.:** **US D569,881 S**  
**Rand et al.** (45) **Date of Patent:** **\*\* May 27, 2008**

(54) **COOLER FRONT**  
(75) Inventors: **Thomas W. Rand**, Cedarburg, WI  
(US); **Jack L. Vaughn**, Muskego, WI  
(US); **Andrew J. Doberstein**, Hartford,  
WI (US)  
(73) Assignee: **U-Line Corporation**, Milwaukee, WI  
(US)  
(\*\*) Term: **14 Years**

D453,169 S 1/2002 Ma et al.  
D455,046 S 4/2002 Hwang  
D460,466 S 7/2002 Ma et al.  
D460,482 S 7/2002 Nomura  
D468,325 S 1/2003 Lorek et al.  
D474,486 S 5/2003 Uihlein et al.  
D492,705 S 7/2004 King  
D512,082 S 11/2005 Lowery et al.  
7,171,794 B2 \* 2/2007 Bienick et al. .... 52/784.1  
D539,312 S 3/2007 Kim  
D540,831 S 4/2007 Kim et al.

\* cited by examiner

(21) Appl. No.: **29/282,369**  
(22) Filed: **Jul. 18, 2007**

*Primary Examiner*—Stella M. Reid  
*Assistant Examiner*—Shanda C Hill  
(74) *Attorney, Agent, or Firm*—Quarles & Brady LLP

**Related U.S. Application Data**

(62) Division of application No. 29/226,728, filed on Mar. 31, 2005, now Pat. No. Des. 550,726.

(57) **CLAIM**

The ornamental design for a cooler front, as shown and described.

(51) **LOC (8) Cl.** ..... **15-07**  
(52) **U.S. Cl.** ..... **D15/91; D15/89**  
(58) **Field of Classification Search** ..... D9/432;  
D7/405; D6/509; D19/10, 26; 312/408;  
439/557; 52/455, 784.1  
See application file for complete search history.

**DESCRIPTION**

In a preferred embodiment, the nature of this product is a front or front portion for a pull-out drawer or rack refrigerated unit used for the cool storage of food and/or beverages.

FIG. 1 is a right, top, front perspective view of a cooler front according to our new design;

FIG. 2 is a front elevational view thereof;

FIG. 3 is a right side elevational view thereof, the left side elevational view being a mirror image the right side shown; and,

FIG. 4 is a top plan view thereof, the bottom plan view thereof being a mirror image of the top view shown.

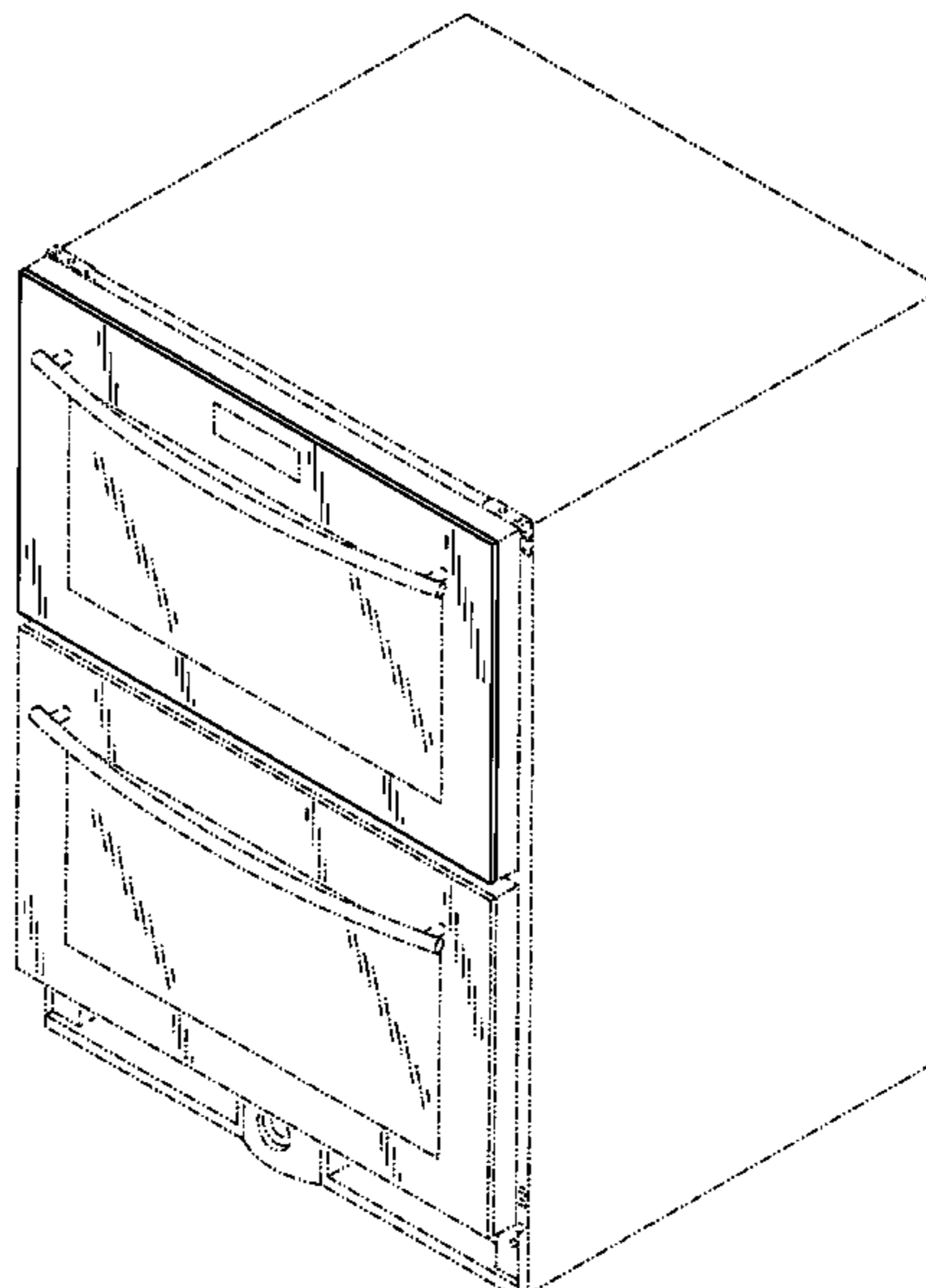
The broken lines shown in the drawing disclosure are for illustrative purposes only and form no part of the claimed design.

(56) **References Cited**

**U.S. PATENT DOCUMENTS**

D253,536 S 11/1979 Shibata et al.  
D261,234 S 10/1981 Abraham  
D266,000 S 8/1982 Kawakami  
D334,859 S \* 4/1993 Homann ..... D6/509  
5,399,809 A 3/1995 Takeouchi  
D387,802 S 12/1997 Finkelstein et al.  
5,779,500 A 7/1998 Tokuwa et al.  
D422,286 S 4/2000 Choi et al.  
D438,562 S 3/2001 Webb et al.  
D443,298 S 6/2001 Webb et al.  
D452,869 S 1/2002 Ma et al.

**1 Claim, 4 Drawing Sheets**



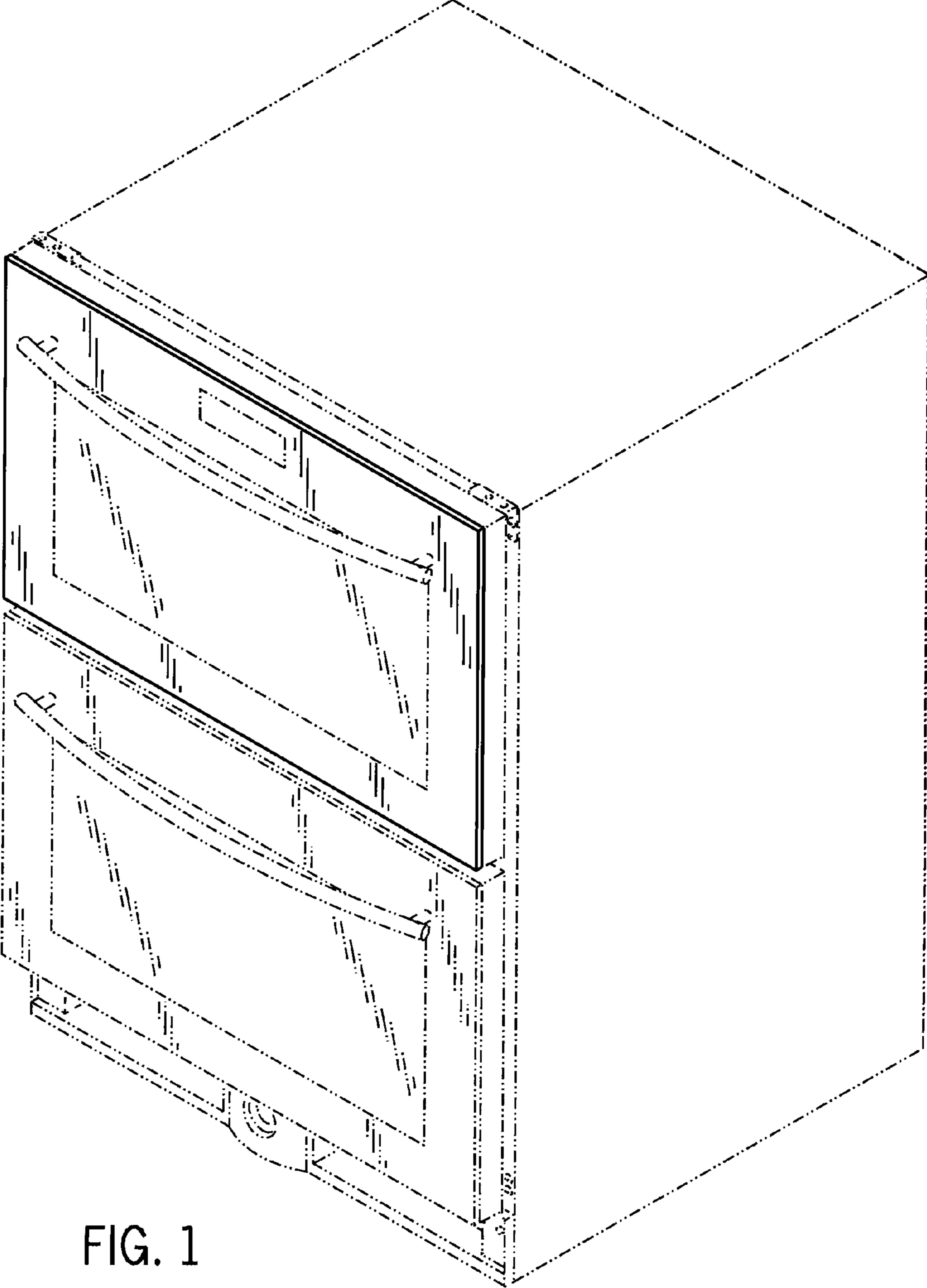


FIG. 1

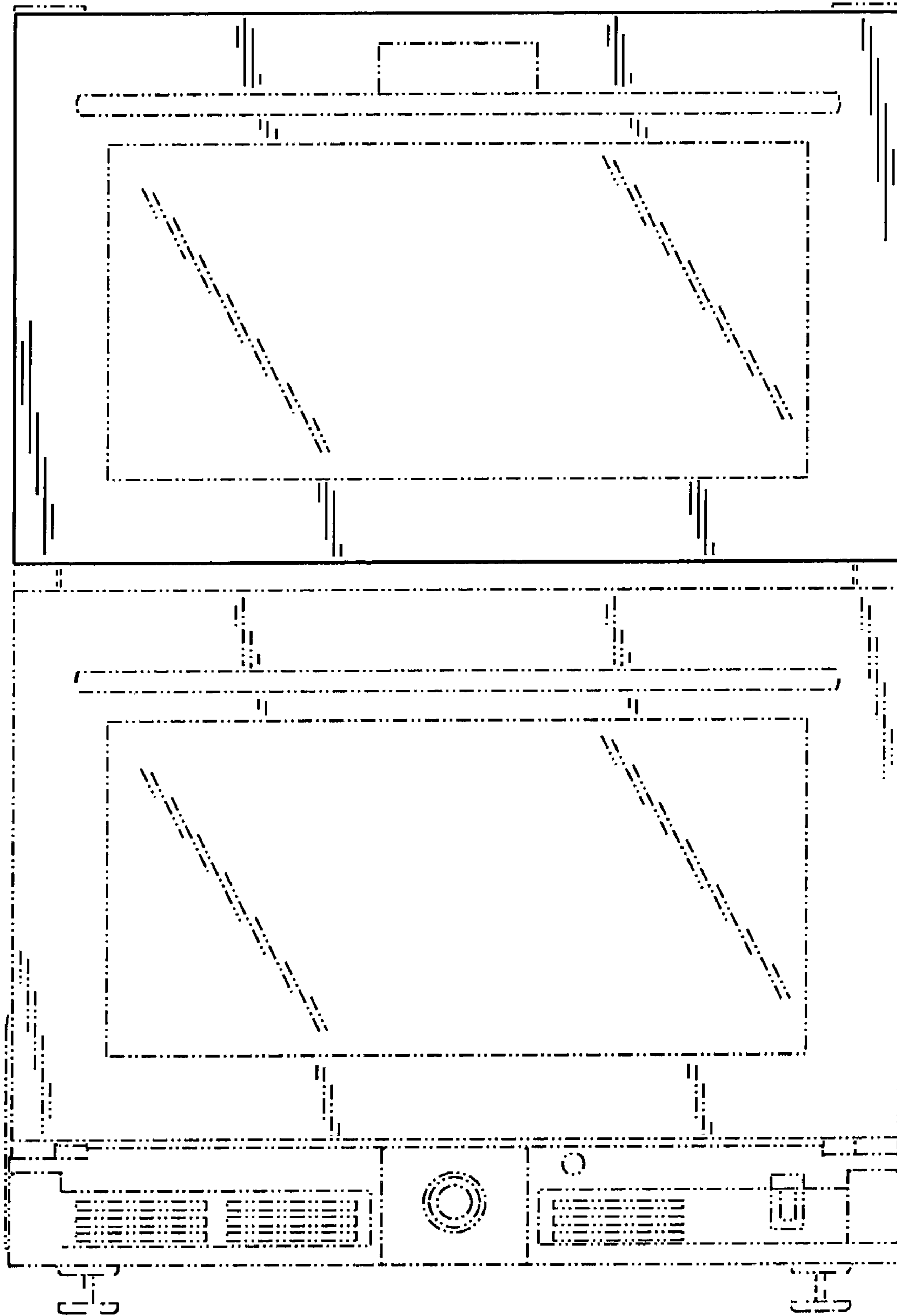


FIG. 2

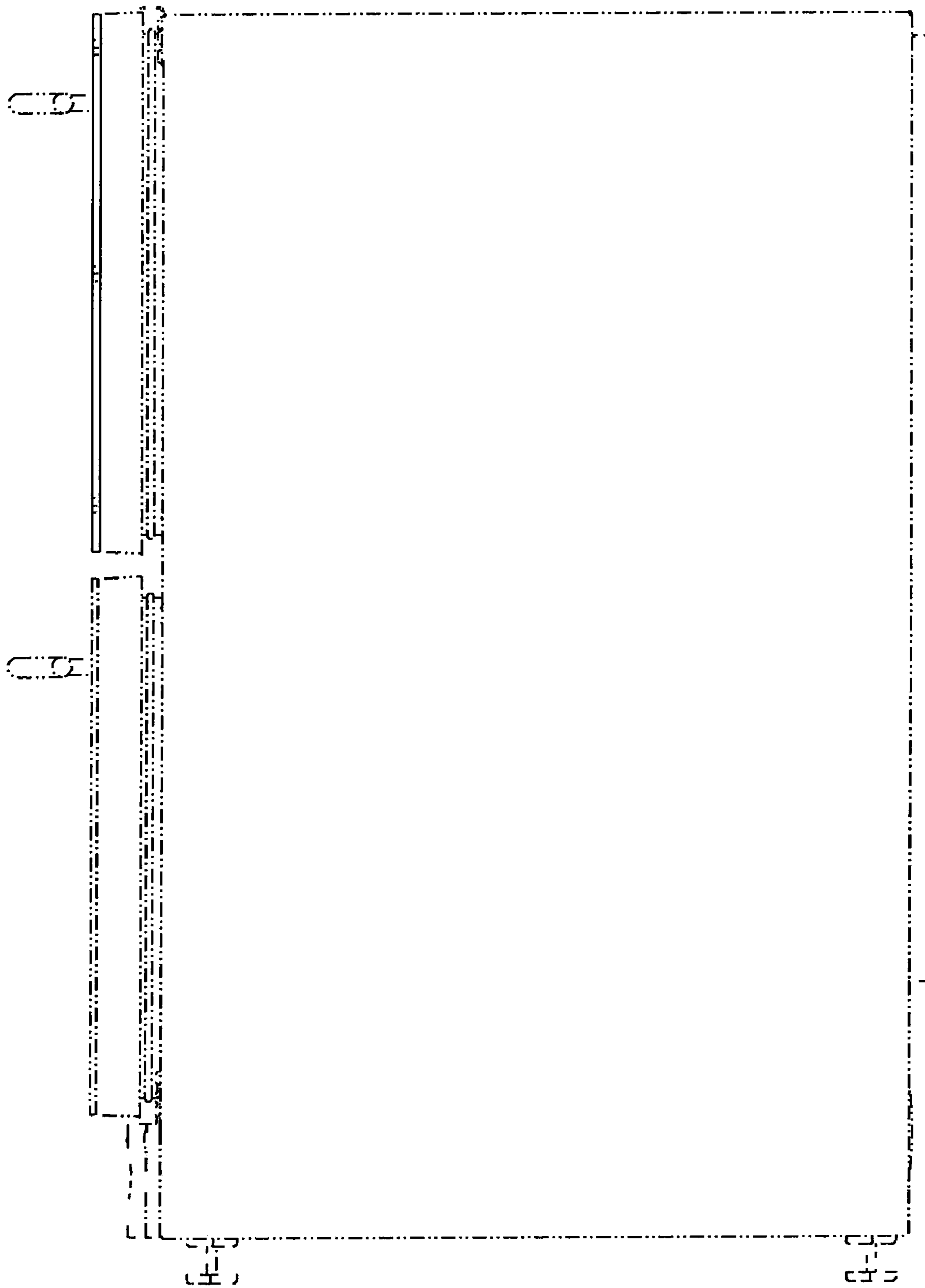


FIG. 3

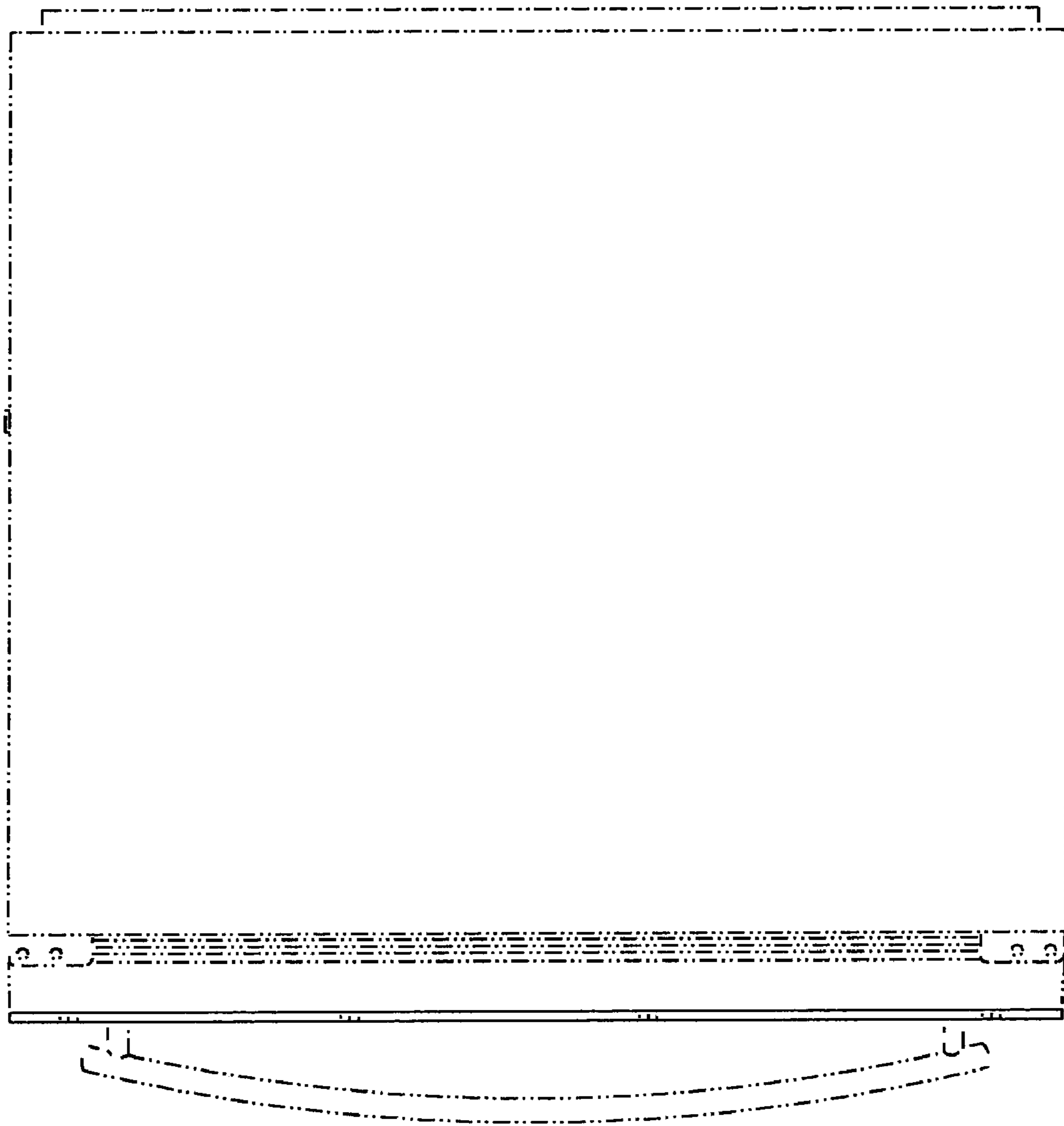


FIG. 4