

US00D569880S

(12) **United States Design Patent**  
**Ugarte**

(10) **Patent No.:** **US D569,880 S**

(45) **Date of Patent:** **\*\* May 27, 2008**

(54) **PORTION OF A REFRIGERATOR DISPLAY CASE**

D543,561 S \* 5/2007 Fogarty et al. .... D15/89

(75) Inventor: **Jesus Ugarte**, Pamplona (ES)

(73) Assignee: **Husmann Koxka, S.L.**, Pamplona (ES)

(\*\*) Term: **14 Years**

(21) Appl. No.: **29/223,657**

(22) Filed: **Feb. 17, 2005**  
(Under 37 CFR 1.47)

(51) **LOC (8) Cl.** ..... **15-07**

(52) **U.S. Cl.** ..... **D15/89**

(58) **Field of Classification Search** ..... D15/79,  
D15/81-89, 91, 144.1; D6/300-303, 305-307,  
D6/470, 471, 474, 475, 479; D11/118, 131-137,  
D11/139; D20/17, 18, 29, 30, 40, 41, 43;  
D25/38, 47, 60, 69, 76, 113, 119, 121, 122,  
D25/124-126; 52/204.1, 204.5; 211/13.1,  
211/85.16; 312/72, 114-118; 62/246, 249-256,  
62/277, 433

See application file for complete search history.

(56) **References Cited**

**U.S. PATENT DOCUMENTS**

- D280,476 S \* 9/1985 McMahon et al. .... D6/470
- D280,790 S \* 10/1985 Kooy ..... D6/471
- 4,840,439 A \* 6/1989 Nara et al. .... 312/116
- D348,790 S \* 7/1994 Fujii ..... D6/479
- D350,246 S \* 9/1994 Louise et al. .... D6/479
- D352,850 S \* 11/1994 Fujii ..... D6/479
- D362,137 S \* 9/1995 Fujii ..... D6/479
- D407,829 S \* 4/1999 Collette et al. .... D25/119
- D459,401 S \* 6/2002 Lowndes ..... D20/43
- D475,144 S \* 5/2003 Thornton et al. .... D25/119
- D510,367 S \* 10/2005 Yamashita et al. .... D15/79
- D521,030 S \* 5/2006 Duffy et al. .... D15/89

**OTHER PUBLICATIONS**

Husmann Impact Merchandisers Brochure, "Multi-Deck Dairy/Deli Display", Catalog D-5, published in 2000.

Husmann Impact Merchandisers Brochure, "Multi-Deck Dairy/Deli End Cap Display", Catalog D5ELE, published in 1999.

Husmann Impact Merchandisers Brochure, "Multi-Deck, Convertible Merchandiser for Any Medium Temperature Application", Catalog C5, published in 2000.

Husmann Impact Merchandisers Brochure, "Multi-Deck, Convertible Merchandiser for Any Medium Temperature Application", Catalog C4, published in 2000.

Koxka, Supermarket X-Combined Freezer Display with Half-Glass Door Top, published prior to Feb. 17, 2004.

\* cited by examiner

*Primary Examiner*—Stella M. Reid

*Assistant Examiner*—Shanda C. Hill

(74) *Attorney, Agent, or Firm*—Michael Best & Friedrich LLP

(57) **CLAIM**

The ornamental design for a portion of a refrigerator display case, as shown and described.

**DESCRIPTION**

FIG. 1 is a perspective view of a portion of a refrigerator display case embodying my new design;

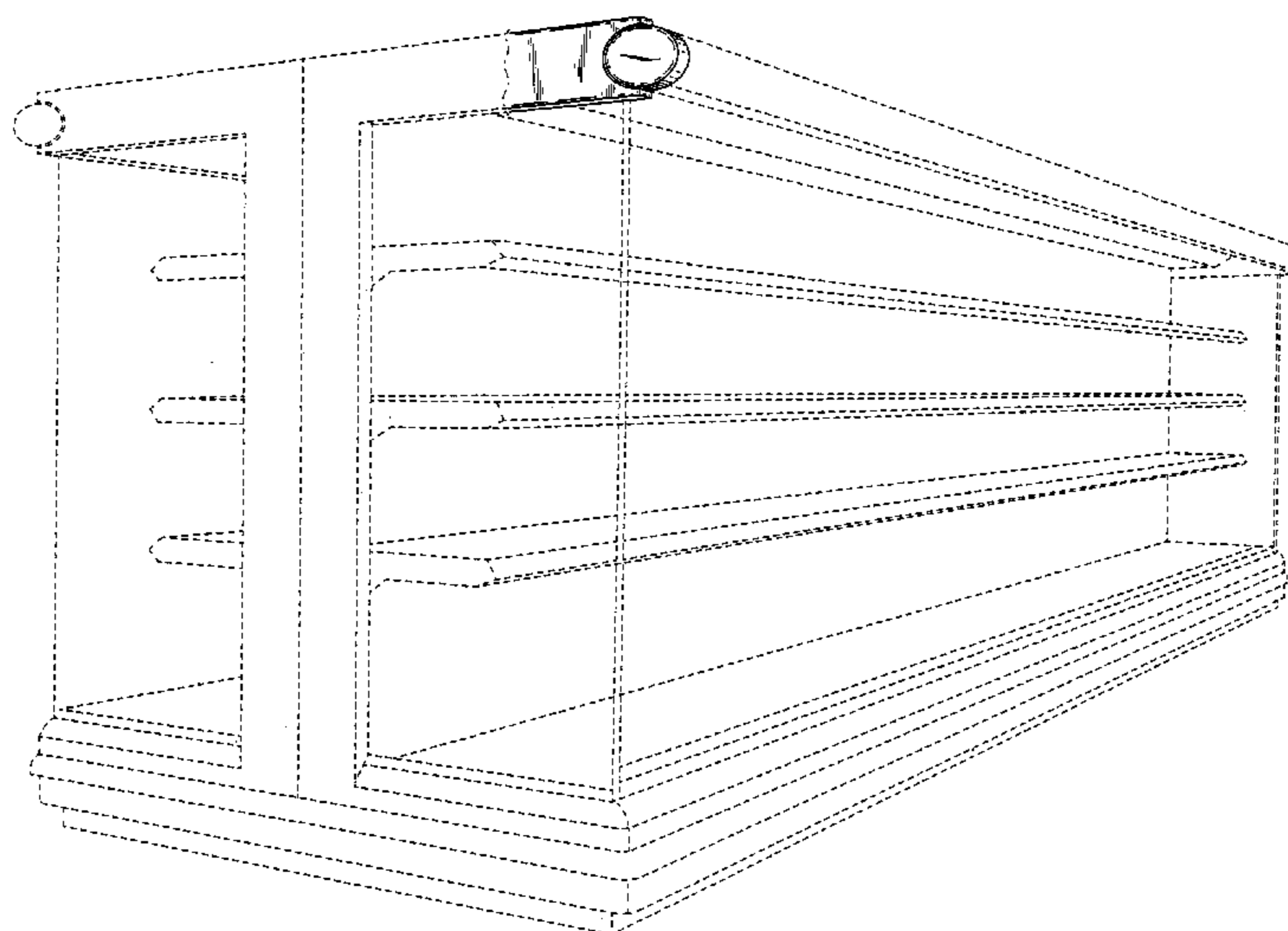
FIG. 2 is a front view of FIG. 1;

FIG. 3 is a side view of FIG. 1; and,

FIG. 4 is an enlarged top view of FIG. 1.

The broken line showing of the environment is for illustrative purposes only and forms no part of the claimed design. The broken lines which define the boundaries of the claimed design form no part thereof.

**1 Claim, 4 Drawing Sheets**



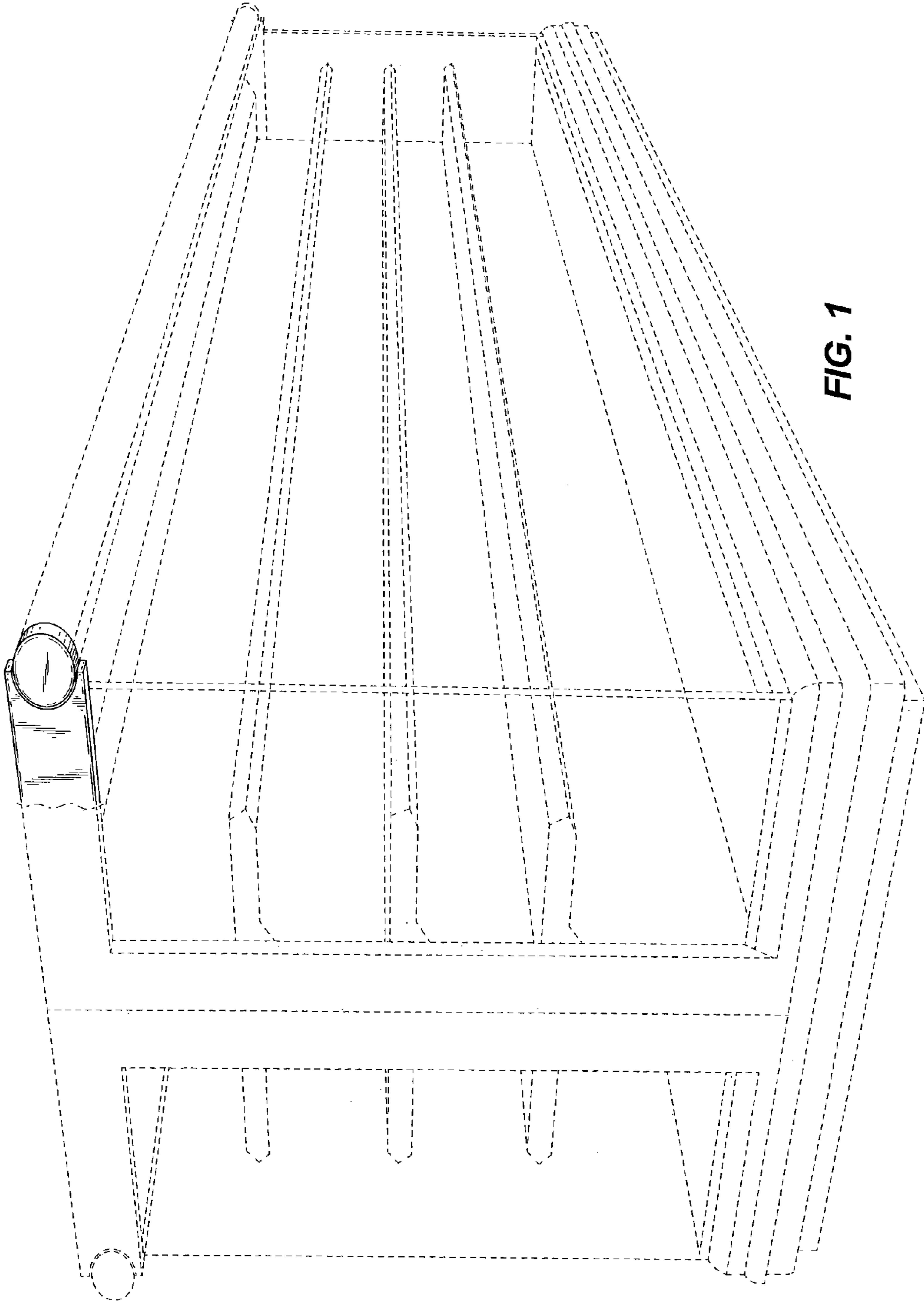
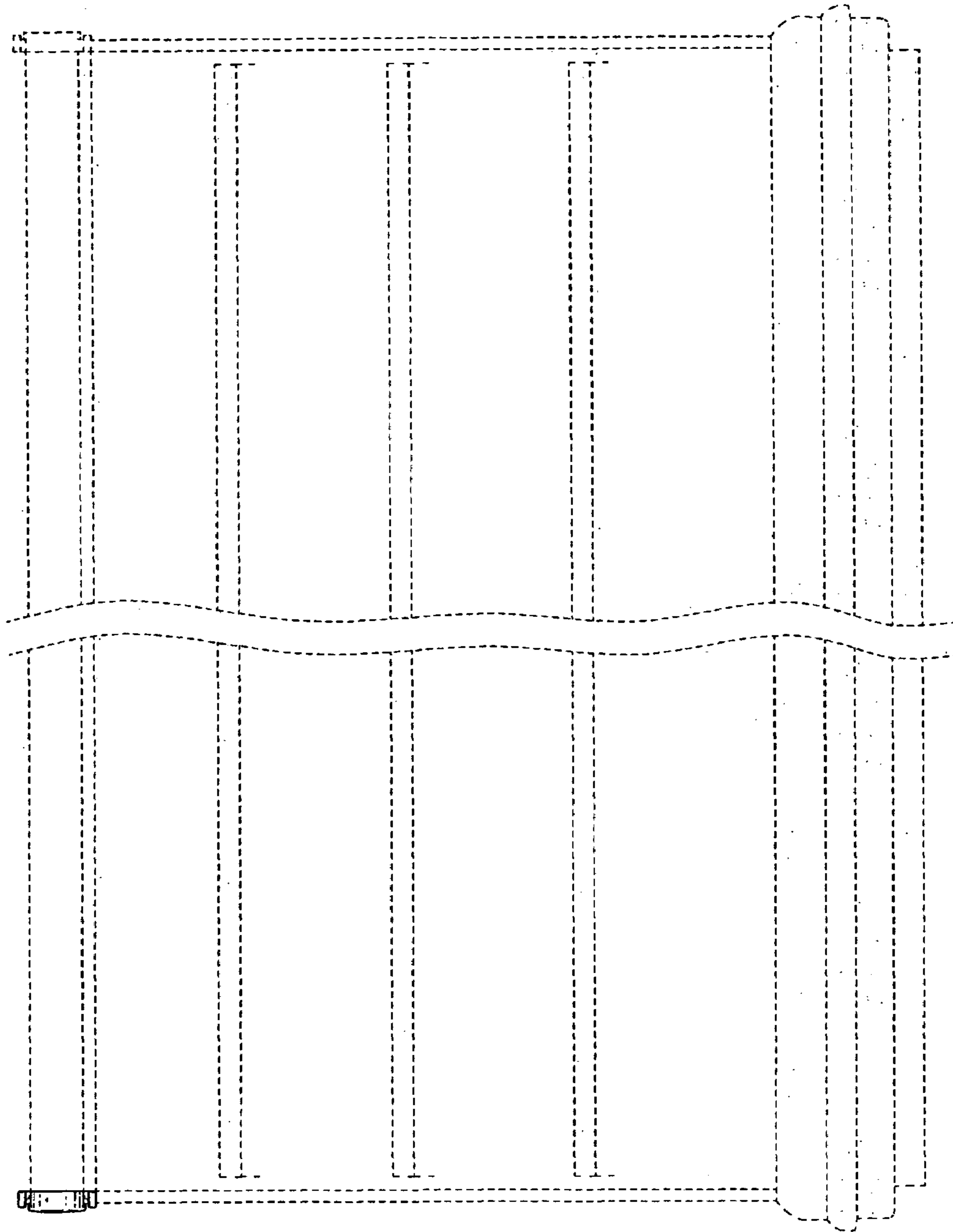


FIG. 1



**FIG. 2**

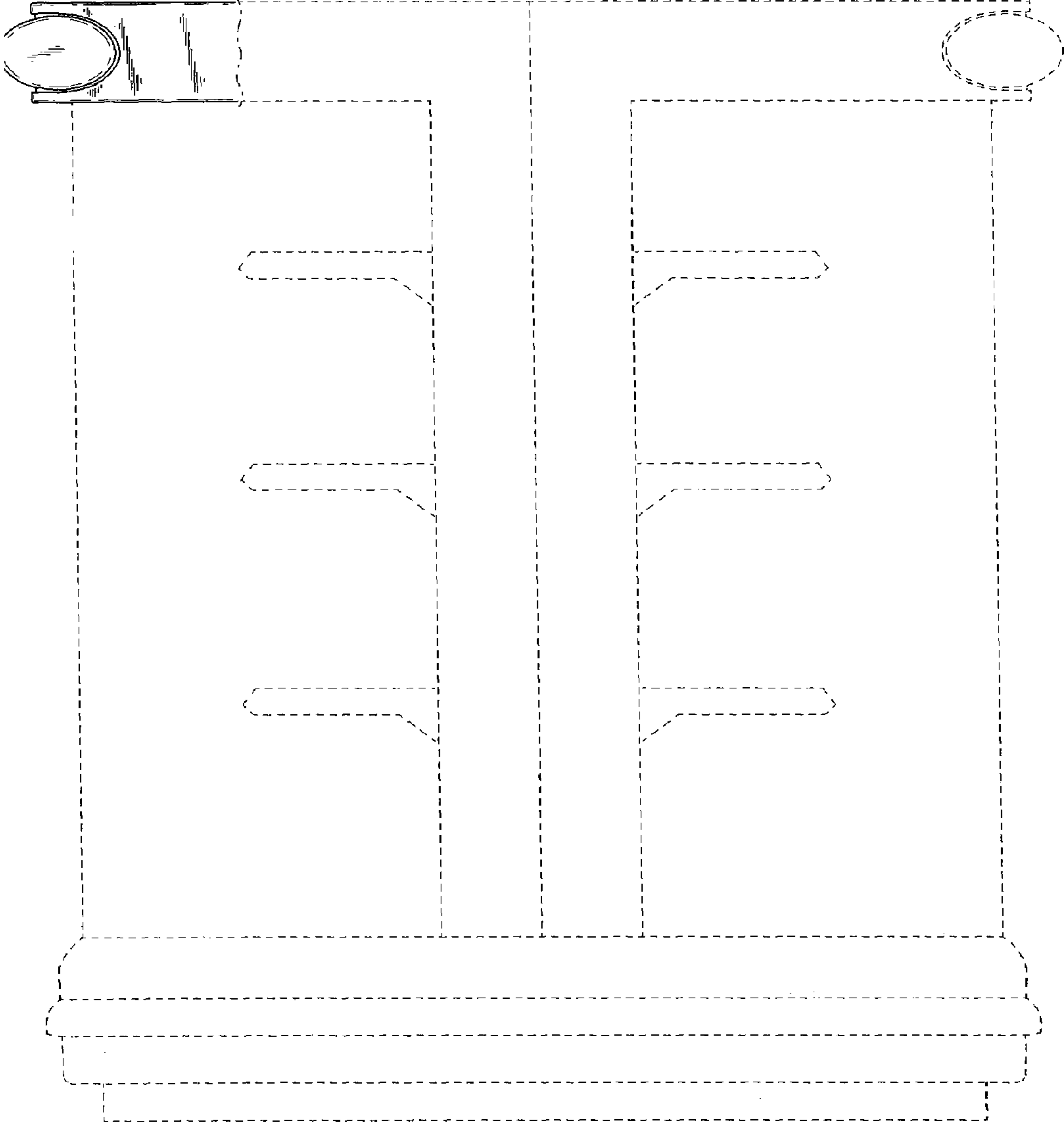
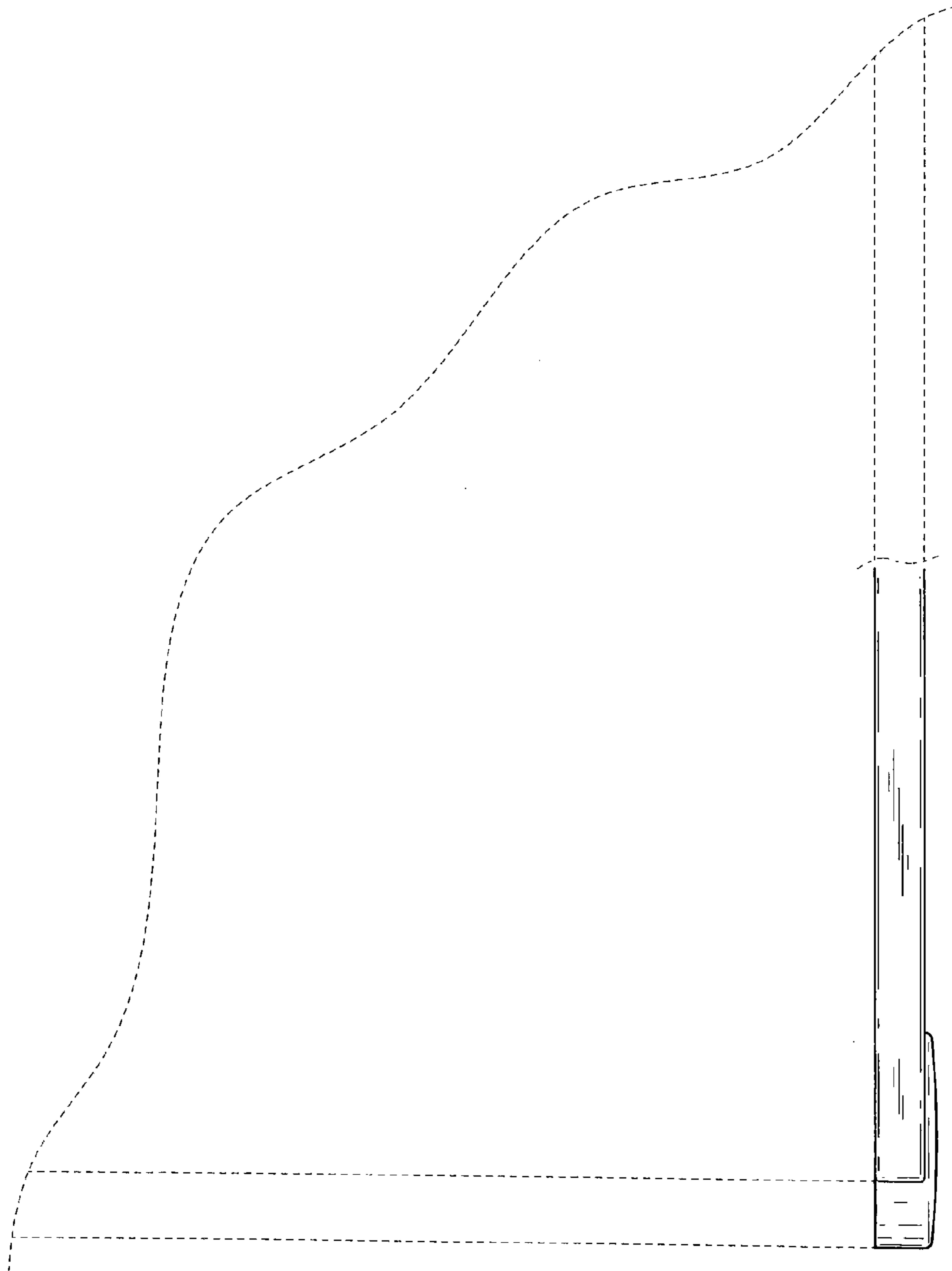


FIG. 3



**FIG. 4**

UNITED STATES PATENT AND TRADEMARK OFFICE  
**CERTIFICATE OF CORRECTION**

PATENT NO. : Des. 569,880 S  
APPLICATION NO. : 29/223657  
DATED : May 27, 2008  
INVENTOR(S) : Jesus Ugarte

Page 1 of 1

It is certified that error appears in the above-identified patent and that said Letters Patent is hereby corrected as shown below:

On the Title Page Item (54)

In the title:

replace "REFRIGERATOR" with --REFRIGERATED--

Signed and Sealed this

Twelfth Day of August, 2008

A handwritten signature in black ink that reads "Jon W. Dudas". The signature is written in a cursive style with a large, looped initial "J".

JON W. DUDAS

*Director of the United States Patent and Trademark Office*