



US00D569877S

(12) **United States Design Patent**
Tyler

(10) **Patent No.:** **US D569,877 S**

(45) **Date of Patent:** **** May 27, 2008**

(54) **FEED DISTRIBUTION APPARATUS**

(76) Inventor: **Walter E. Tyler**, 363 Tifton Hwy.,
Ocilla, GA (US) 31774

(**) Term: **14 Years**

(21) Appl. No.: **29/284,672**

(22) Filed: **Sep. 13, 2007**

(51) **LOC (8) Cl.** **15-03**

(52) **U.S. Cl.** **D15/13; D15/27**

(58) **Field of Classification Search** D15/10,
D15/13, 17, 26, 27; 414/467, 403, 505, 523
See application file for complete search history.

(56) **References Cited**

U.S. PATENT DOCUMENTS

D197,240	S	*	12/1963	Tyler	D15/13
3,216,615	A	*	11/1965	Biehl	222/25
D221,991	S	*	9/1971	Jensen	D15/27
4,092,004	A	*	5/1978	Leverenz et al.	241/56
4,678,342	A	*	7/1987	Dalman	366/186
D294,583	S	*	3/1988	Blumer et al.	D15/27
4,846,621	A	*	7/1989	Warsaw	414/526
D306,864	S	*	3/1990	Van Mill	D15/27
5,340,265	A	*	8/1994	Grieshop	414/526
5,409,344	A	*	4/1995	Tharaldson	414/505
D363,941	S	*	11/1995	Johnstrud et al.	D15/19
D366,266	S	*	1/1996	Blair et al.	D15/27
D367,071	S	*	2/1996	McKay	D15/27
5,538,388	A	*	7/1996	Bergkamp et al.	414/523

D378,294	S	*	3/1997	Barnes et al.	D15/17
D450,063	S	*	11/2001	Bentley	D15/13
D469,784	S	*	2/2003	Bentley	D15/13
2001/0055524	A1	*	12/2001	Jackson et al.	414/467

* cited by examiner

Primary Examiner—Stella M. Reid

Assistant Examiner—Mark A Goodwin

(74) *Attorney, Agent, or Firm*—Brian D. Bellamy

(57) **CLAIM**

The ornamental design for a feed distribution apparatus, as shown and described.

DESCRIPTION

FIG. 1 is a perspective view of a feed distribution apparatus showing my new design;

FIG. 2 is a rear elevational view of FIG. 1;

FIG. 3 is a front elevational view of FIG. 1;

FIG. 4 is a right side elevational view of FIG. 1;

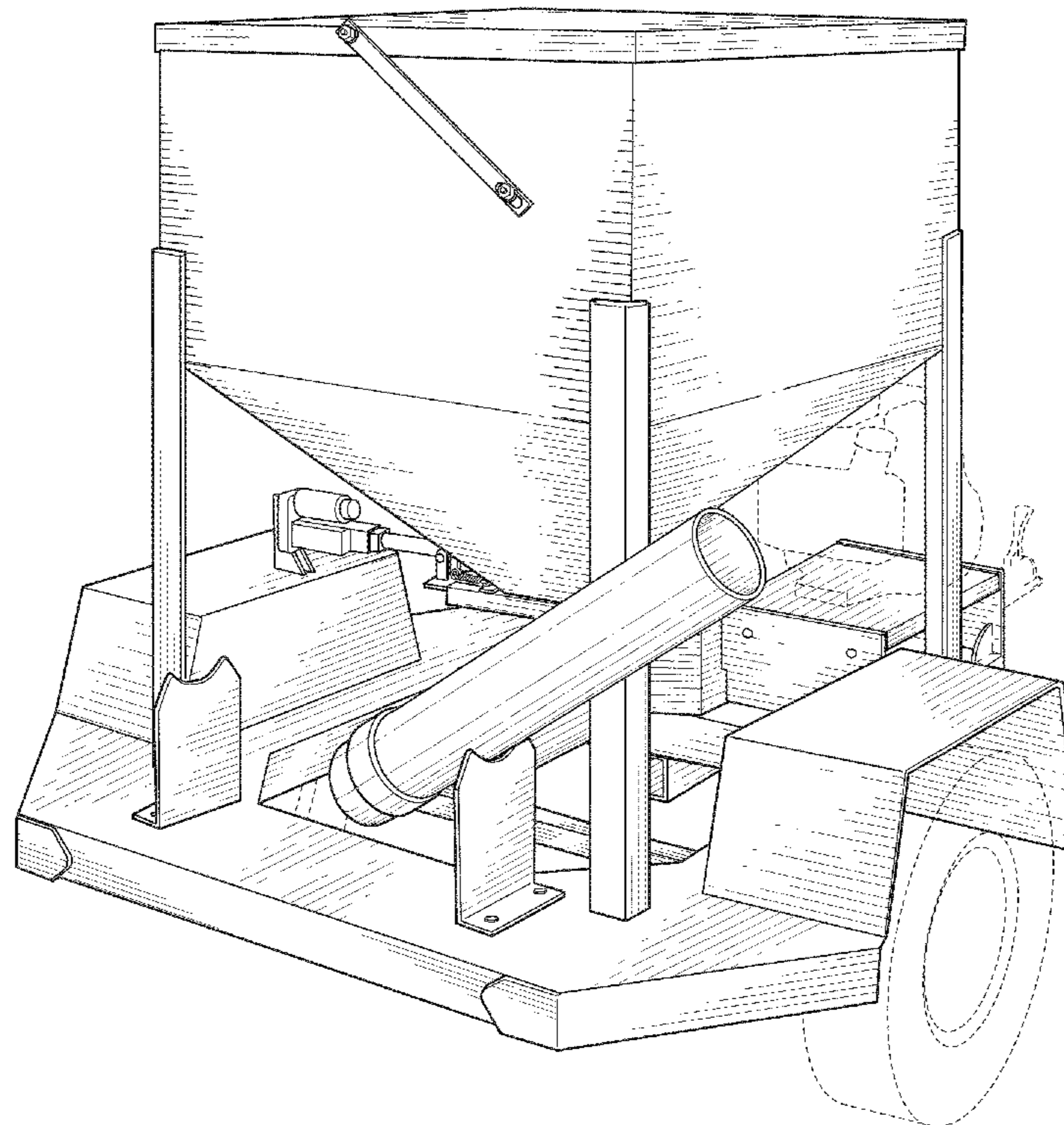
FIG. 5 is a left side elevational view of FIG. 1;

FIG. 6 is a top elevational view of FIG. 1; and,

FIG. 7 is a bottom elevational view of FIG. 1.

The broken line showing of the wheels, tow bar, stand, and small motor is included for the purpose of illustrating portions of the feed distribution apparatus and forms no part of the claimed design.

1 Claim, 7 Drawing Sheets



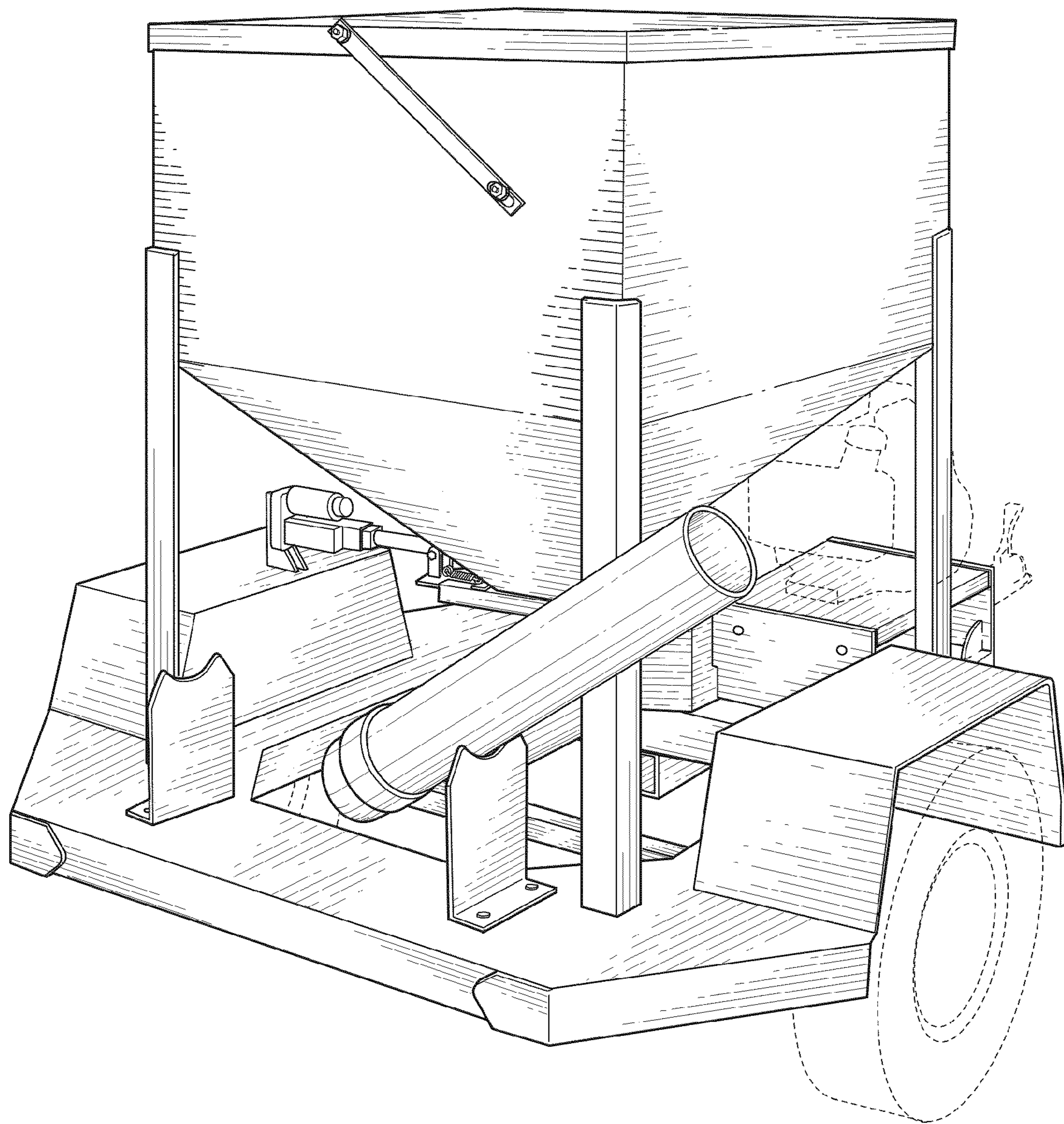


Fig. 1

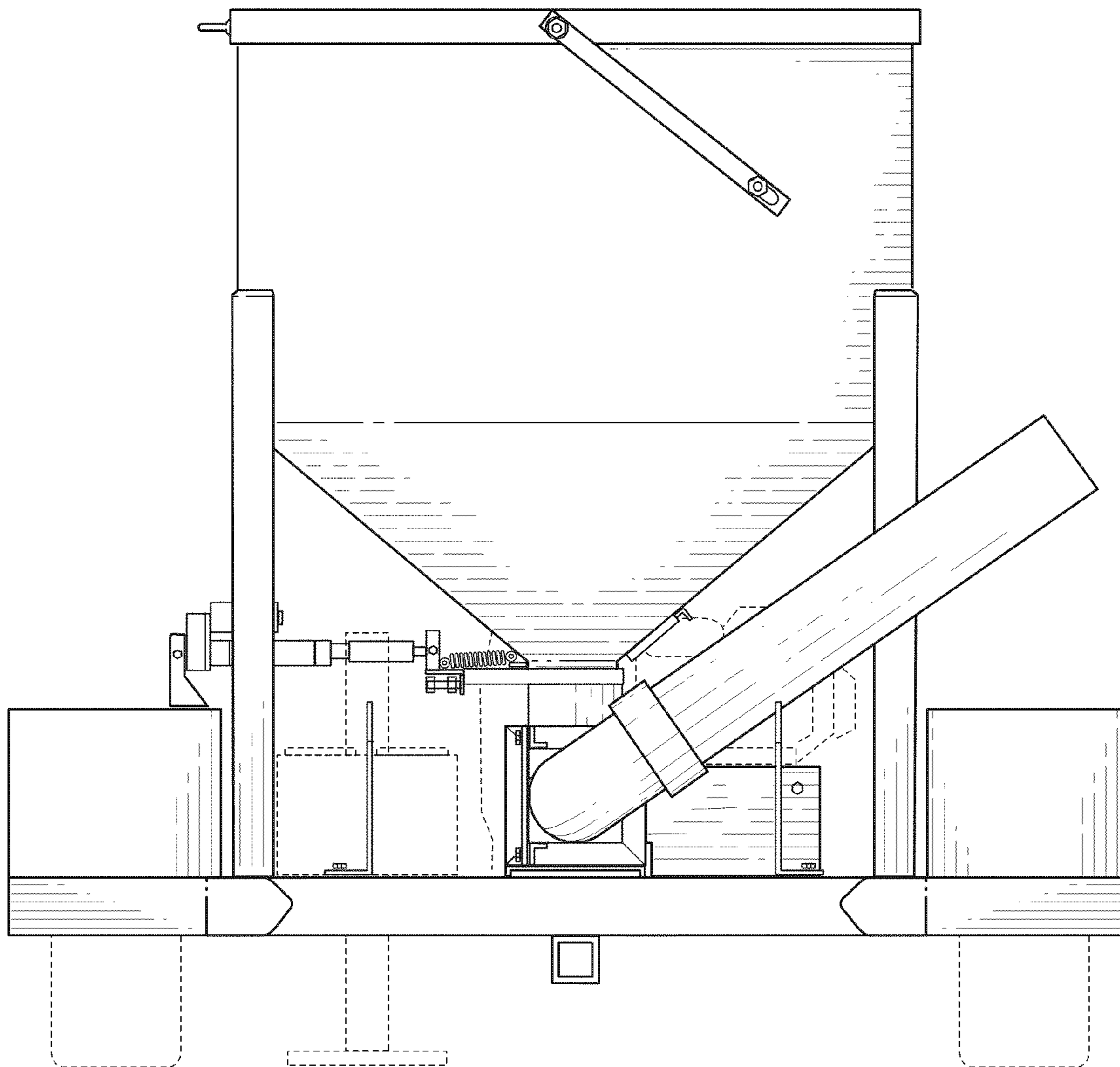


Fig. 2

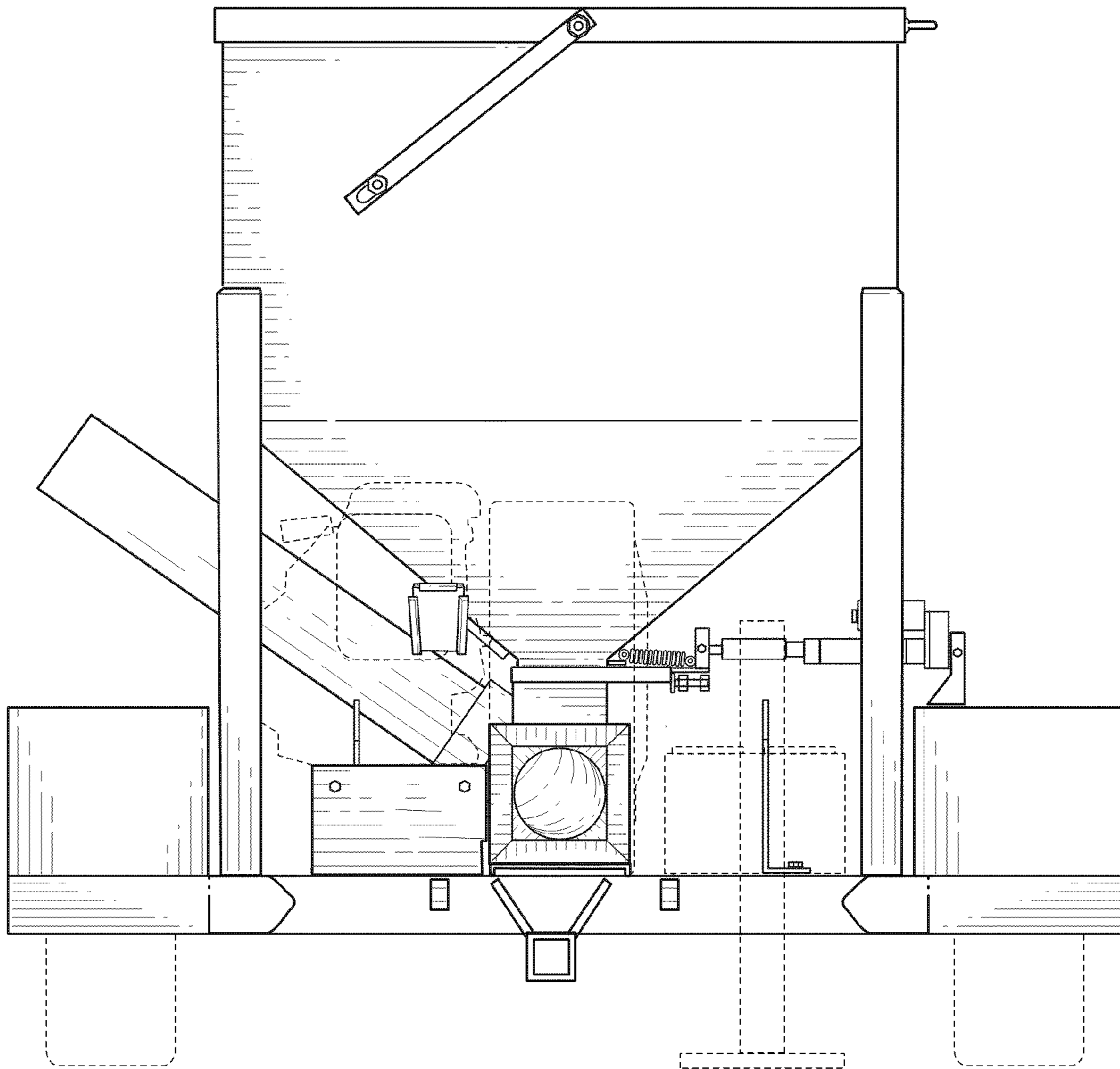


Fig. 3

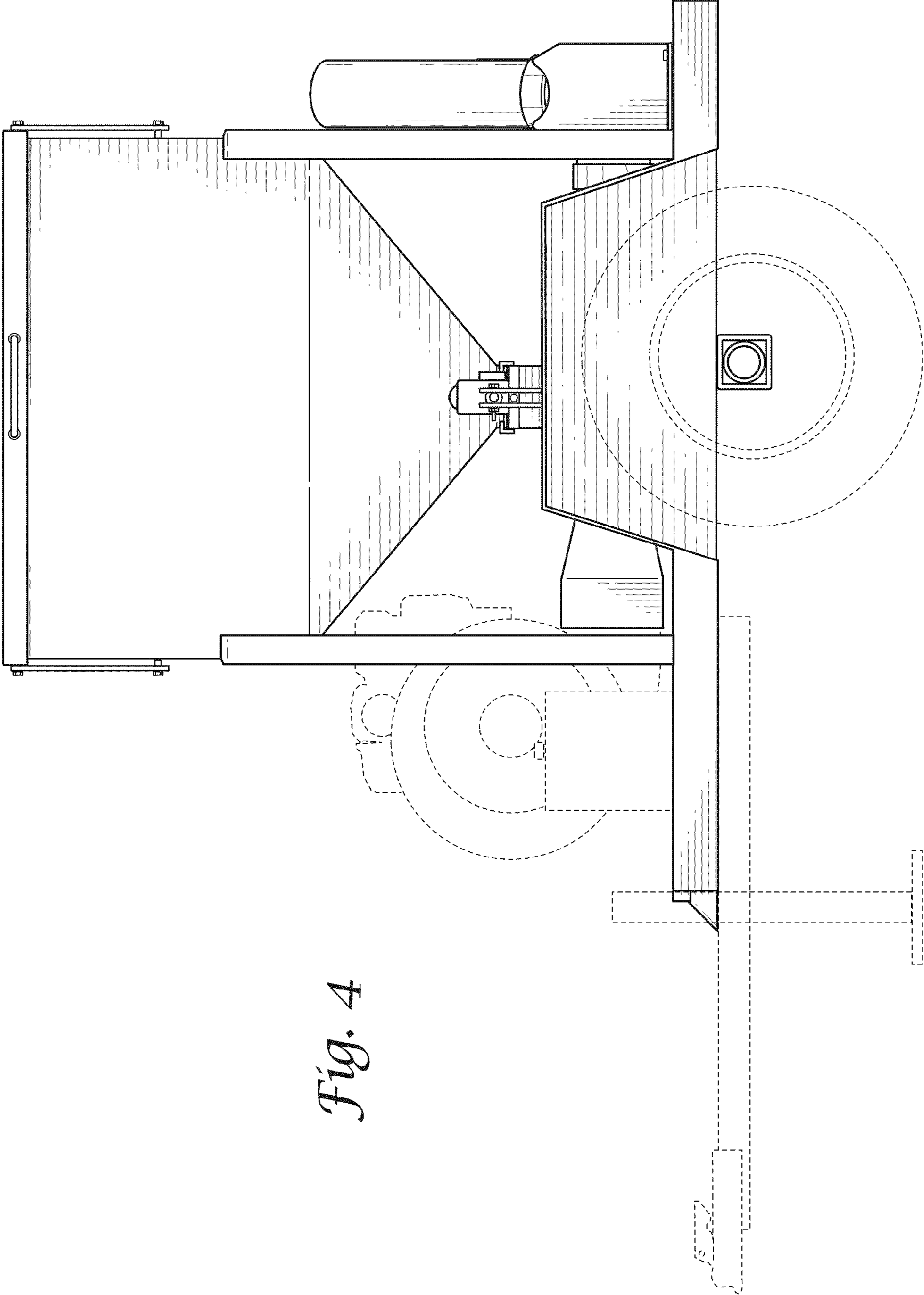


Fig. 4

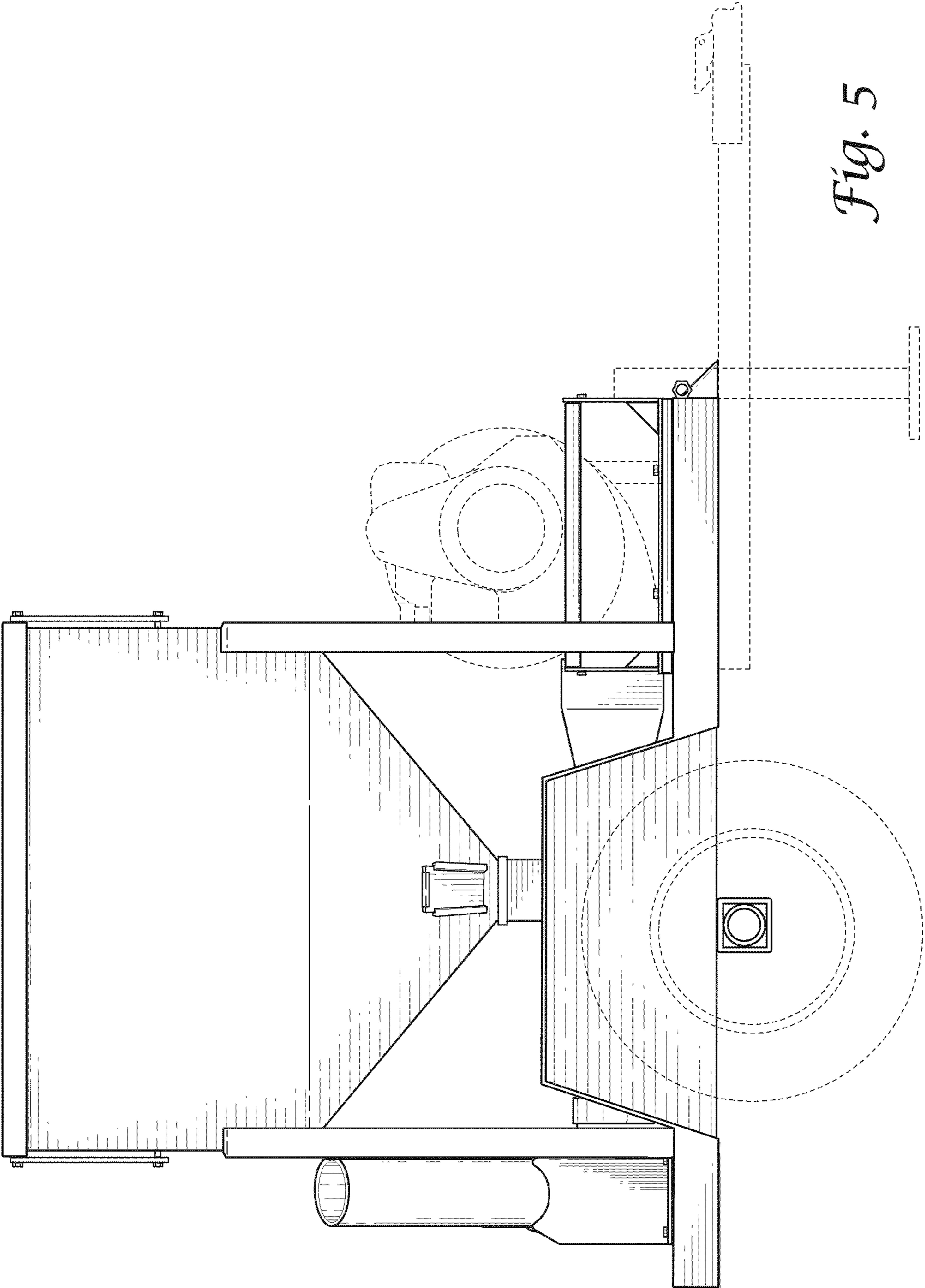


Fig. 5

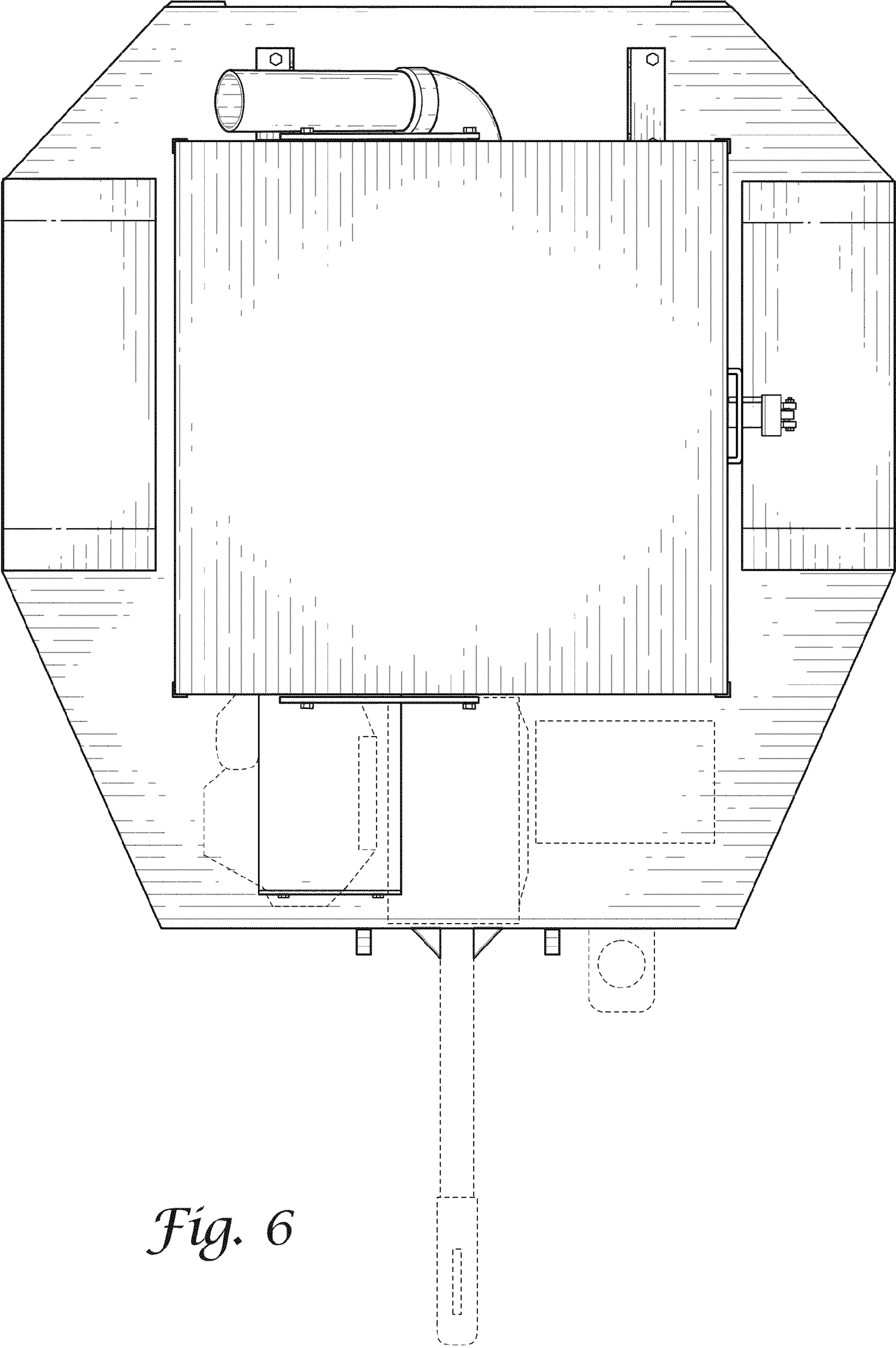


Fig. 6

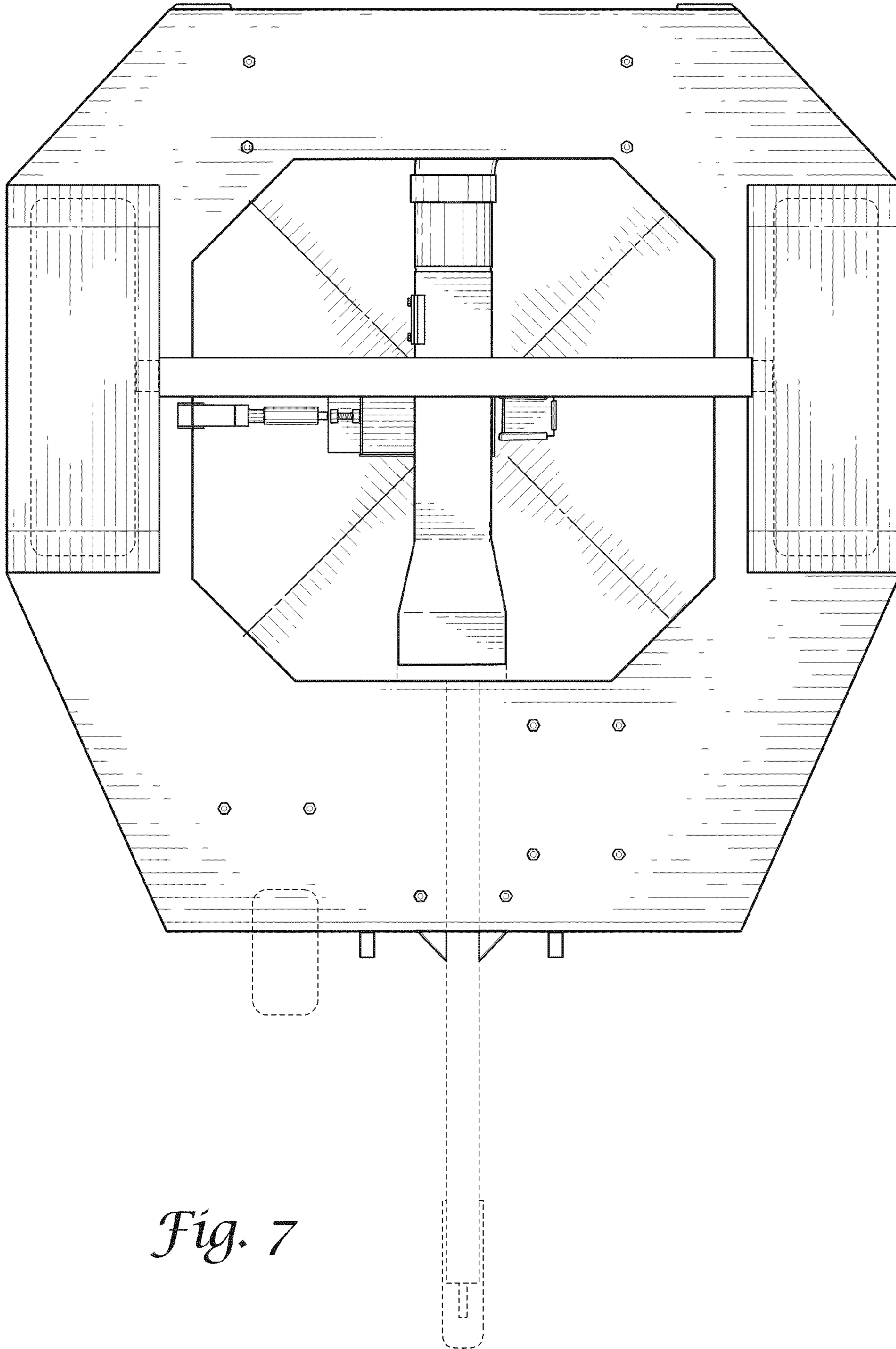


Fig. 7