

US00D569876S

(12) **United States Design Patent**
Griffin

(10) **Patent No.:** **US D569,876 S**

(45) **Date of Patent:** **** May 27, 2008**

(54) **COMBINED AUTO CHARGER AND DOCKING CRADLE FOR AN ELECTRONIC DEVICE FOR RECORDING, STORING AND TRANSMITTING AUDIO OR VIDEO FILES**

(76) Inventor: **Paul Griffin**, 2846 Polo Club Rd., Nashville, TN (US) 37221

(**) Term: **14 Years**

(21) Appl. No.: **29/262,723**

(22) Filed: **Jul. 10, 2006**

(51) **LOC (8) Cl.** **14-03**

(52) **U.S. Cl.** **D14/496; D14/343; D13/107**

(58) **Field of Classification Search** D14/496, D14/401, 435, 474, 483, 217, 137, 138, 160, D14/168, 434, 432, 358, 356; 345/156, 169, 345/173-179, 905; 715/727-729, 864; 710/1, 710/5, 8; 713/1, 600; 455/11, 1.7, 73, 344-347, 455/93, 95; 370/342-344; 369/1, 2, 6, 12; 463/43-47; 273/148 B; D13/107, 108
See application file for complete search history.

(56) **References Cited**

U.S. PATENT DOCUMENTS

2,410,527 A * 11/1946 Schinske 320/113

(Continued)

Primary Examiner—Prabhakar Deshmukh

(74) *Attorney, Agent, or Firm*—Michael E. McKee

(57) **CLAIM**

The ornamental design for a combined auto charger and docking cradle for an electronic device for recording, storing and transmitting audio or video files, as shown and described.

DESCRIPTION

FIG. 1 is a perspective view of a auto charger portion of a combined auto charger and docking cradle for an electronic

device for recording, storing and transmitting audio or video files showing my new design;

FIG. 2 is a perspective view of docking cradle portion of a combined auto charger and docking device for recording, storing and transmitting audio or video files thereof;

FIG. 3 is a front elevational view of a combined auto charger and docking cradle for an electronic device for recording, storing and transmitting audio or video files thereof;

FIG. 4 is a rear elevational view of FIG. 3;

FIG. 5 is a right side elevational view of FIG. 3;

FIG. 6 is a left side elevational view of FIG. 3;

FIG. 7 is a bottom plan view of FIG. 3;

FIG. 8 is a top plan view of FIG. 3;

FIG. 9 is a front elevational of FIG. 2;

FIG. 10 is a rear elevational view of FIG. 2;

FIG. 11 is a bottom plan view of FIG. 2;

FIG. 12 is a top plan view of FIG. 2;

FIG. 13 is a front elevational view of FIG. 1;

FIG. 14 is a rear elevational view of FIG. 1;

FIG. 15 is a bottom plan view of FIG. 1;

FIG. 16 is a top plan view of FIG. 1;

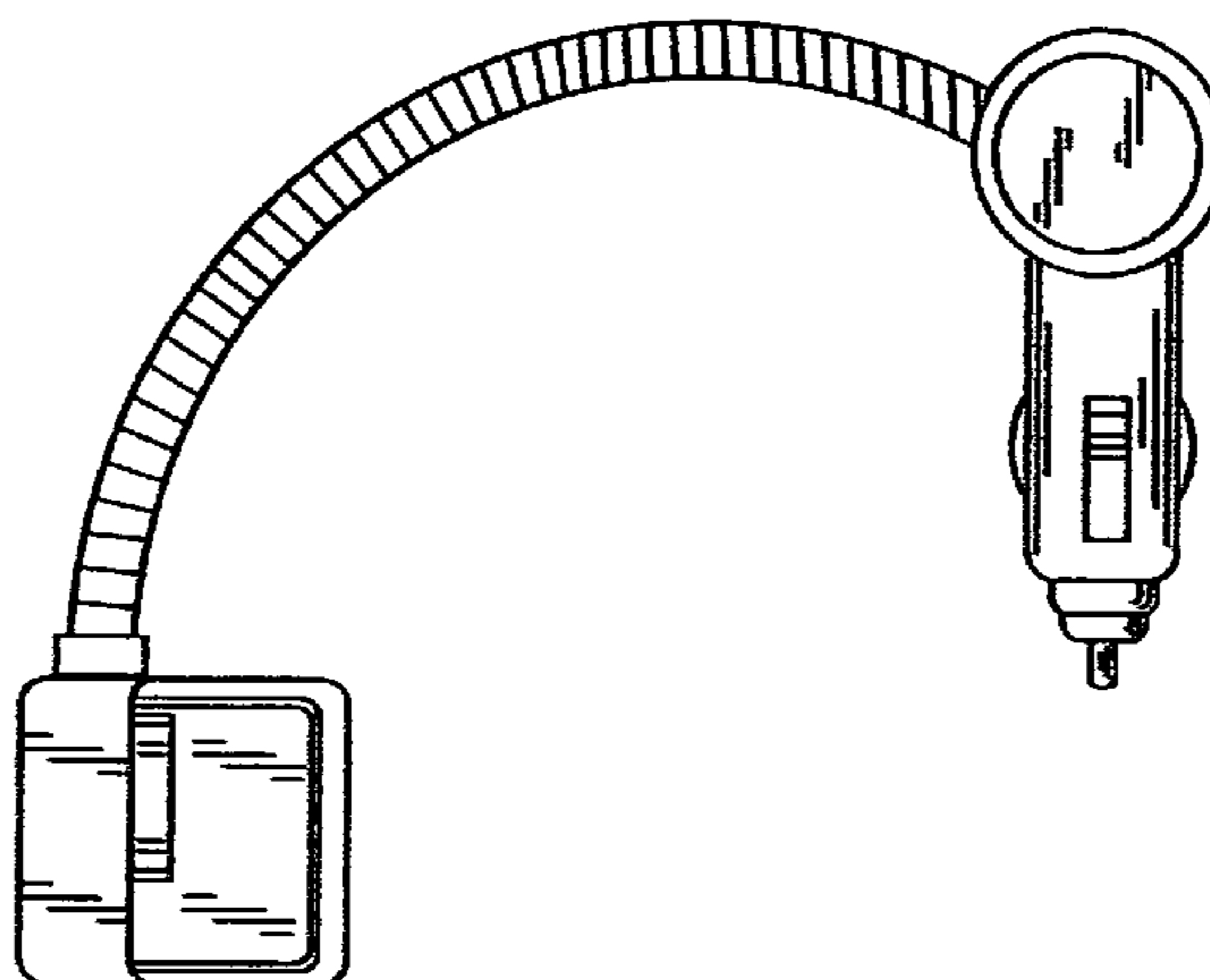
FIG. 17 is a front elevational view of FIG. 3, showing an alternate position of the flexible cable an the auto charger portion in relation to the docking cradle;

FIG. 18 is a front elevational view of a docking cradle of FIG. 17, showing the exemplary electronic device docketed therein; and,

FIG. 19 is a rear elevational view of FIG. 18.

The broken lines are for illustrative purpose only and form no part of the claimed design. The auto charger (FIGS. 1, 13-16), the docking cradle (FIGS. 2, 9-12) are shown separately for clarity. FIGS. 3-8 show the combined electronic device as a claimed design and FIGS. 17-19 illustrate alternate position of a combined claimed electronic device. FIGS. 1 and 2 are drawn in an enlarged scale.

1 Claim, 6 Drawing Sheets



US D569,876 S

Page 2

U.S. PATENT DOCUMENTS

D456,349 S *	4/2002	Chuang	D13/107	D545,812 S *	7/2007	Grady et al.	D14/217
D462,657 S *	9/2002	Kaneko	D13/107	7,257,429 B2 *	8/2007	Kogan	455/573
6,696,922 B1 *	2/2004	Wong et al.	340/7.32	7,280,802 B2 *	10/2007	Grady	455/42
6,923,688 B1 *	8/2005	Burson et al.	439/675	D557,207 S *	12/2007	Aguilar	D13/108
D534,150 S *	12/2006	Griffin	D14/155	7,338,328 B2 *	3/2008	Krieger et al.	439/668
D544,486 S *	6/2007	Hussaini et al.	D14/434				

* cited by examiner

FIG. 1

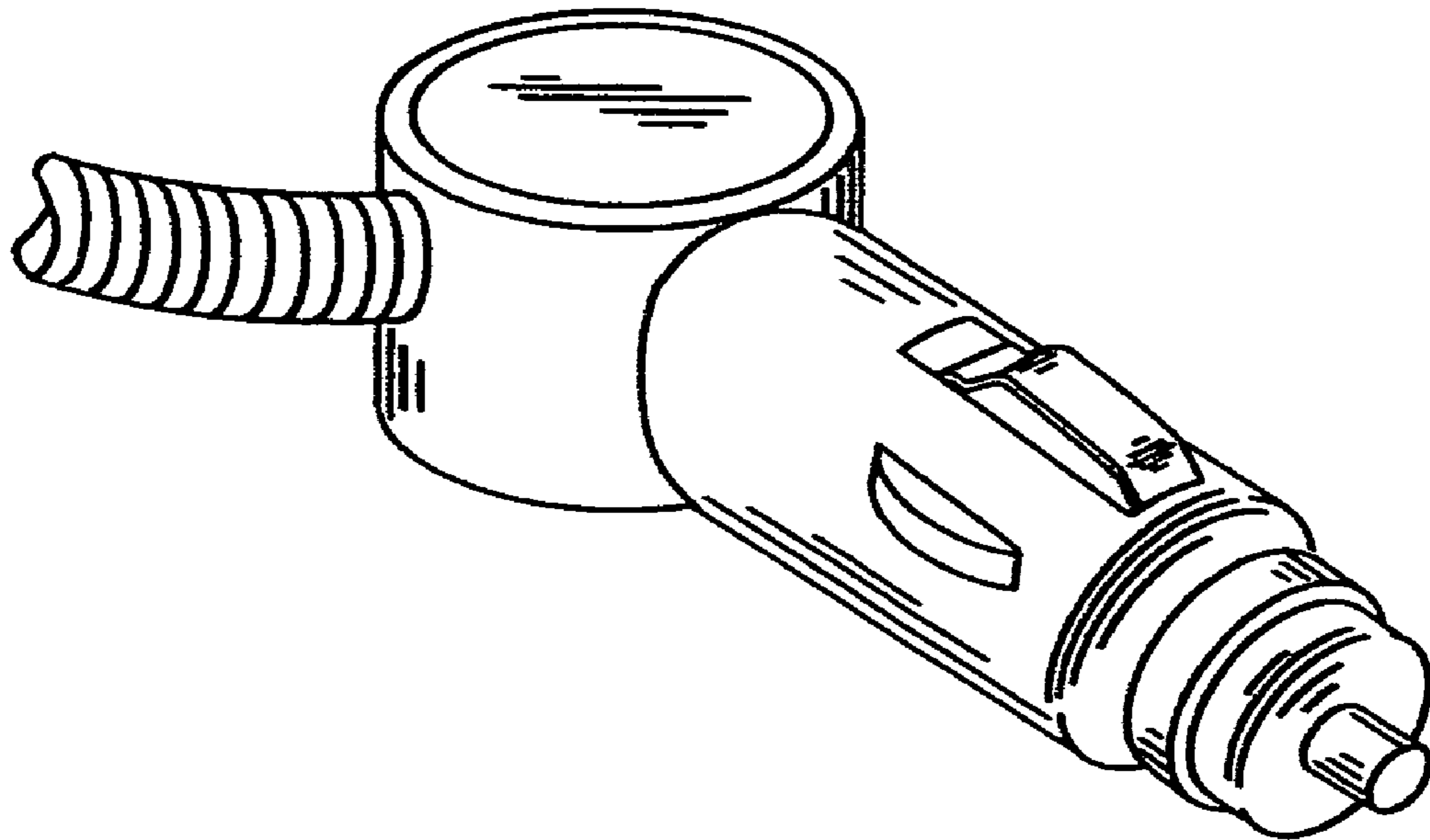


FIG. 2

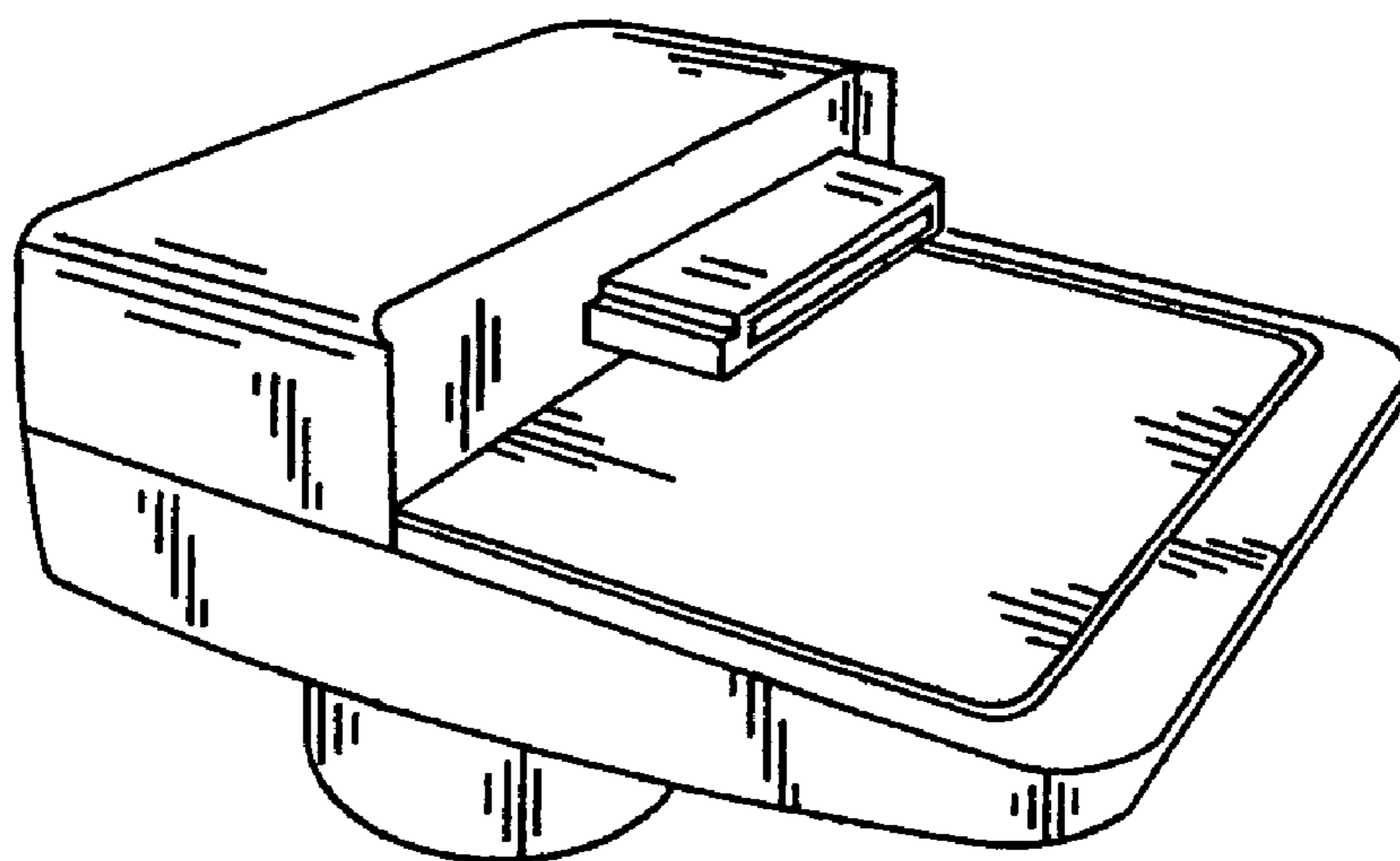


FIG. 3

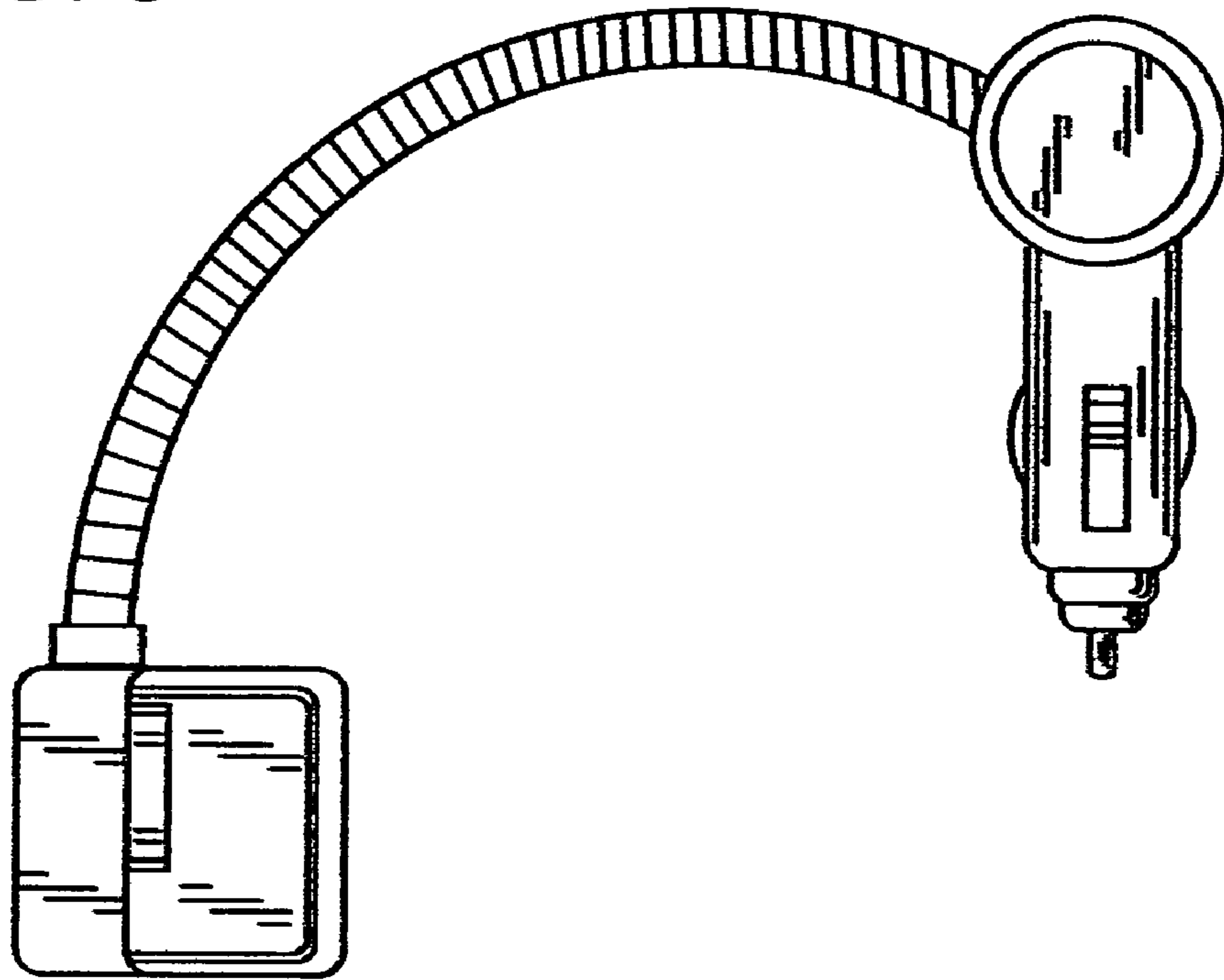
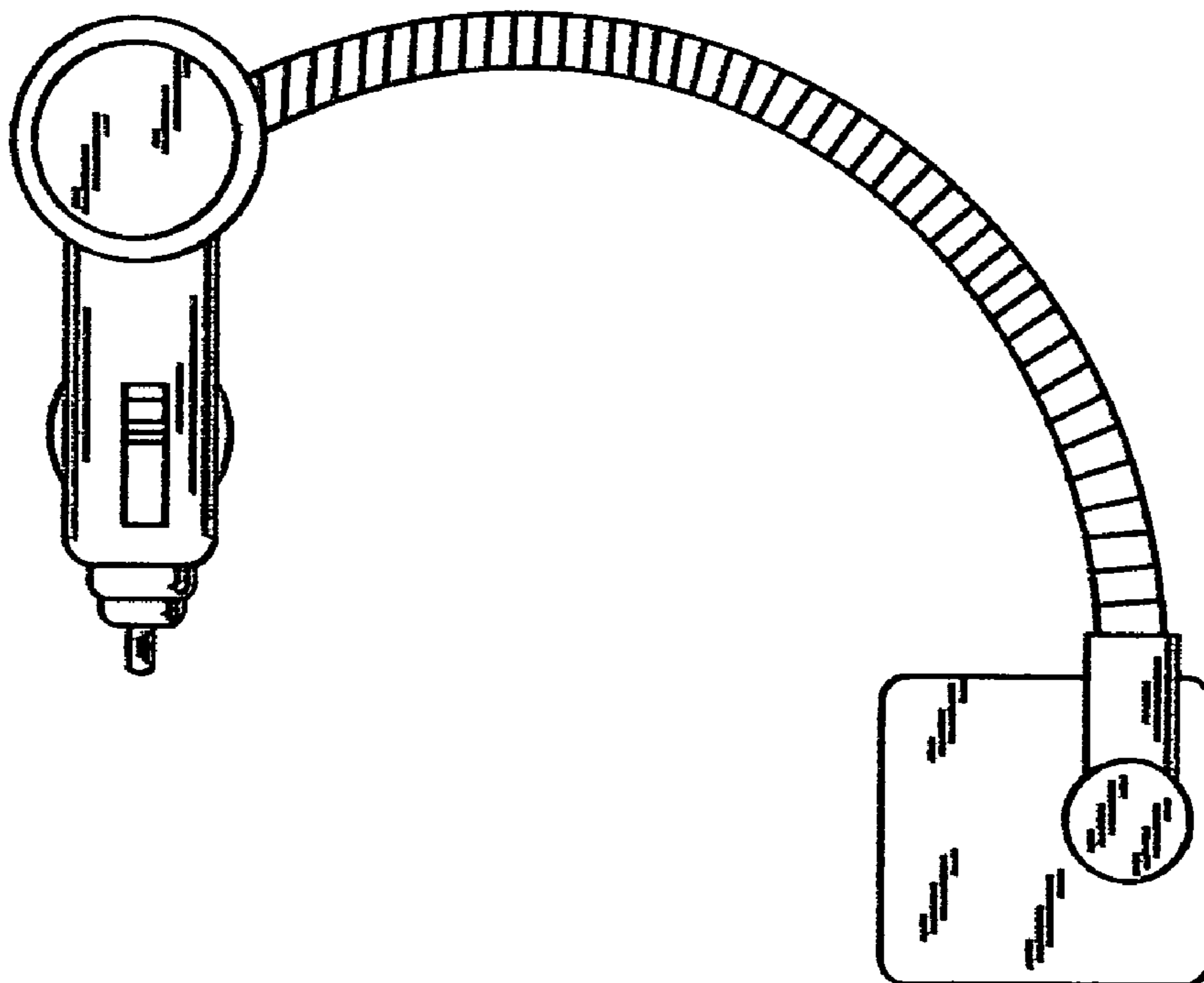


FIG. 4



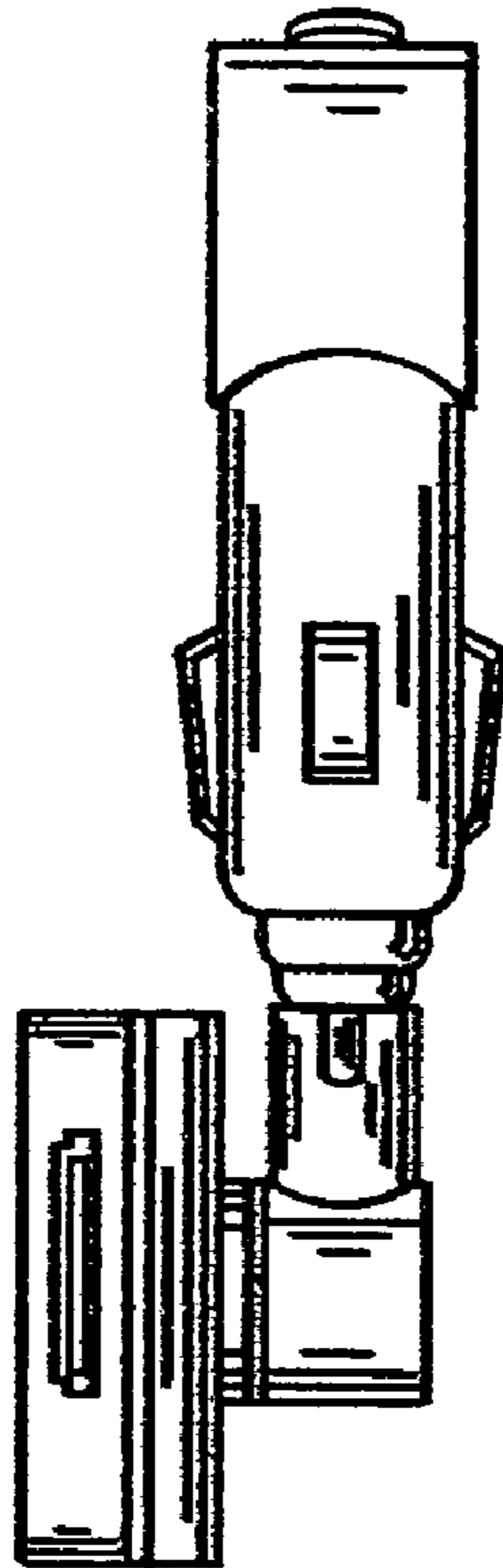


FIG. 5

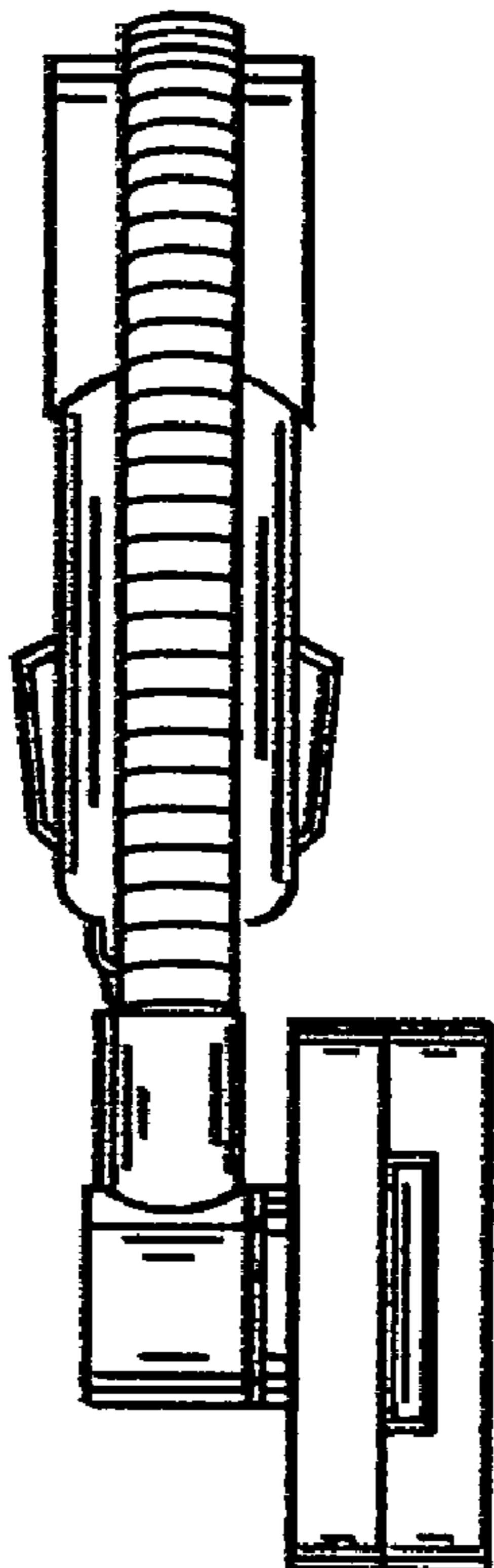


FIG. 6

FIG. 7

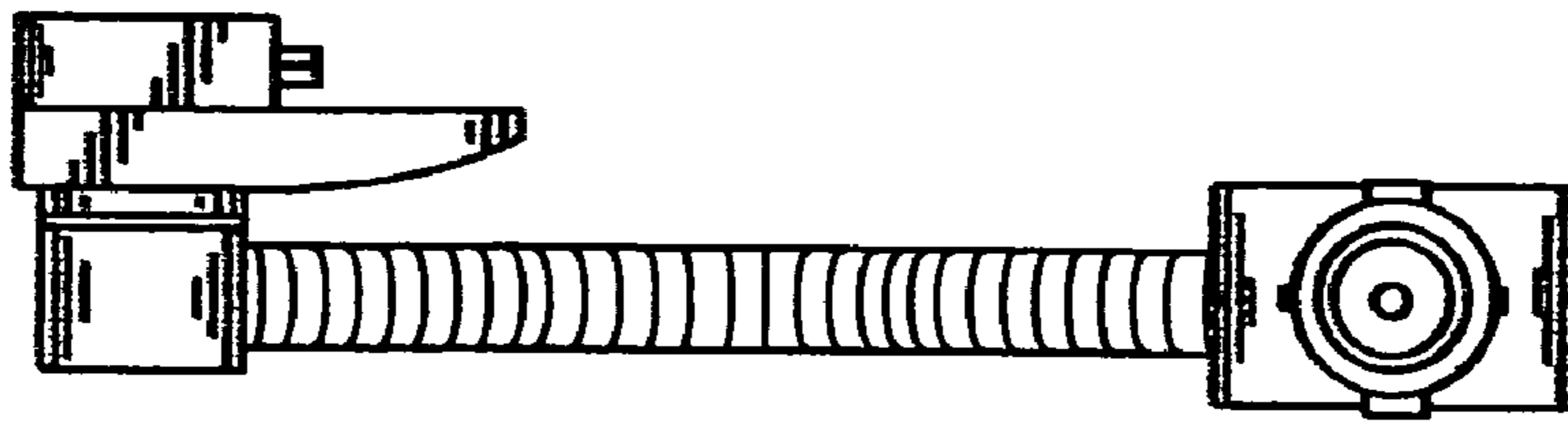


FIG. 8

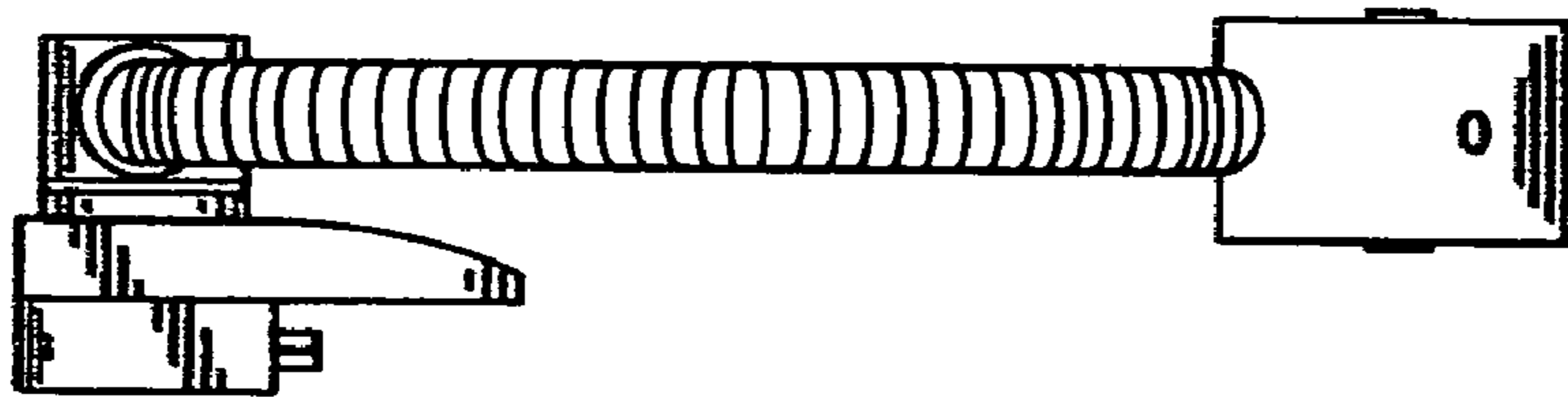


FIG. 9

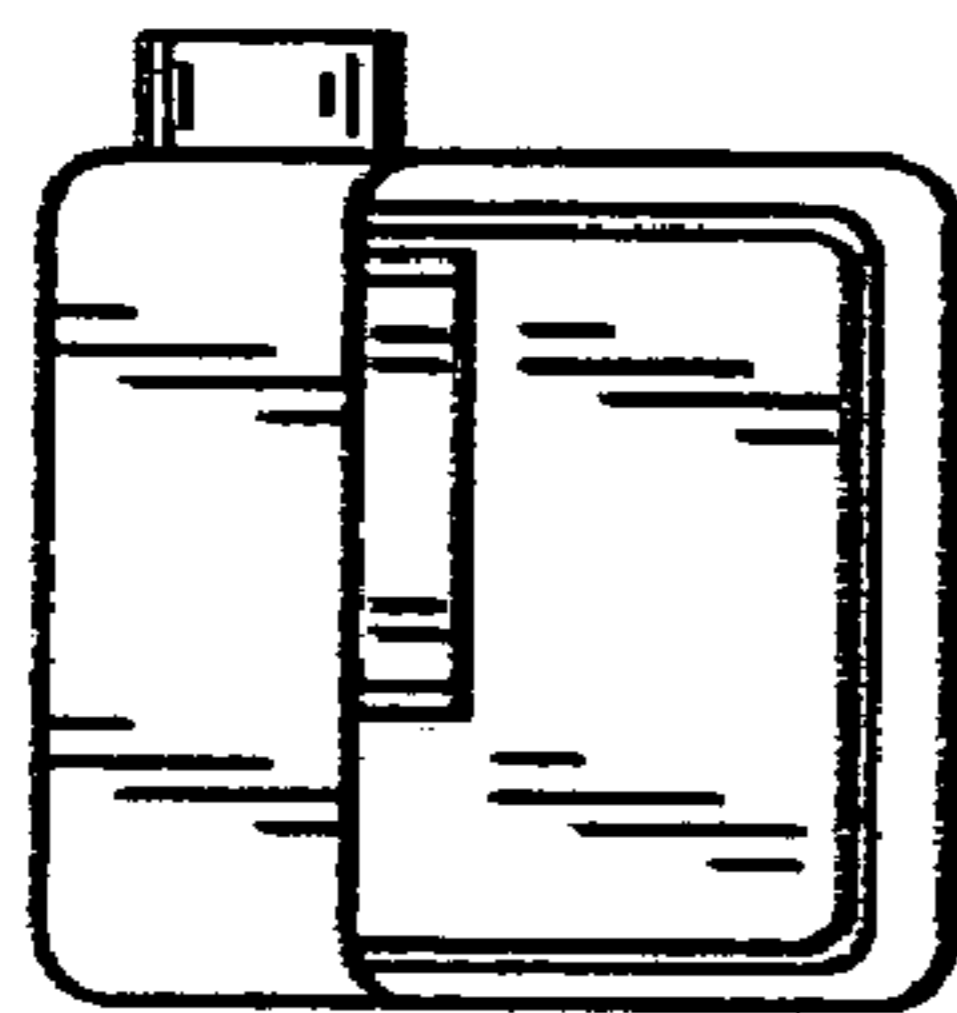


FIG. 10

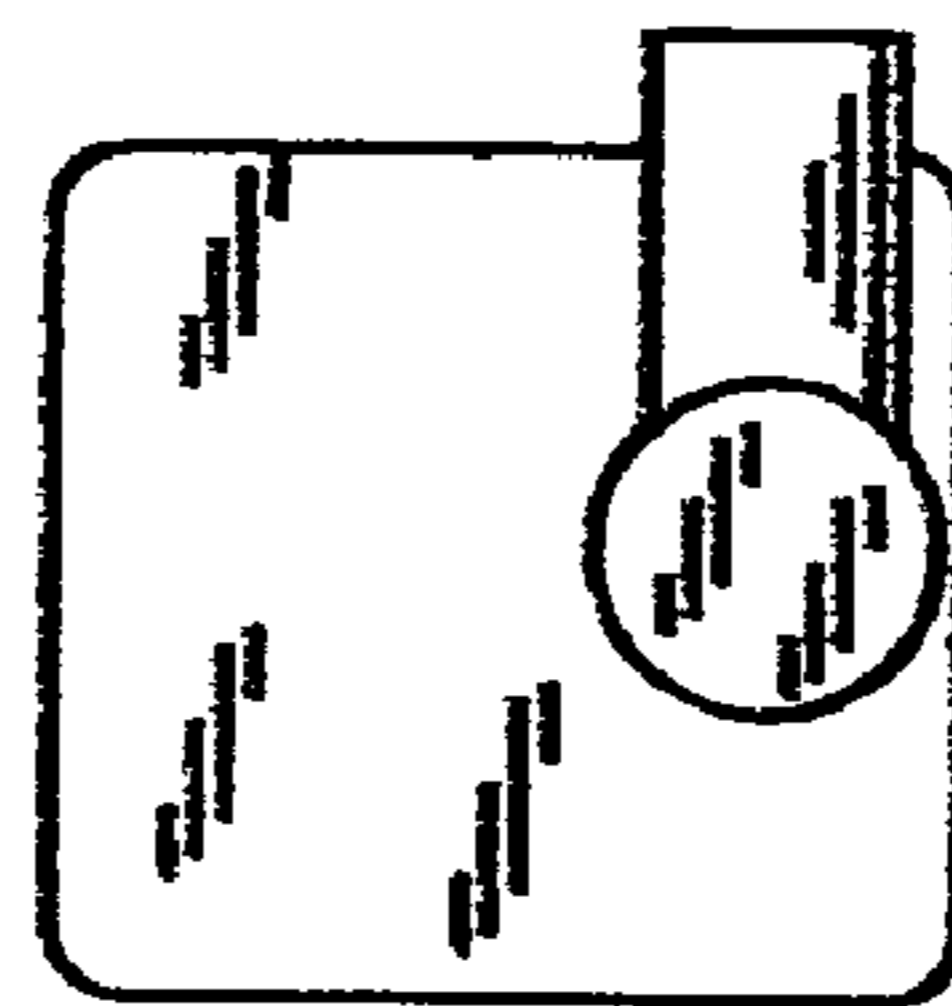


FIG. 11

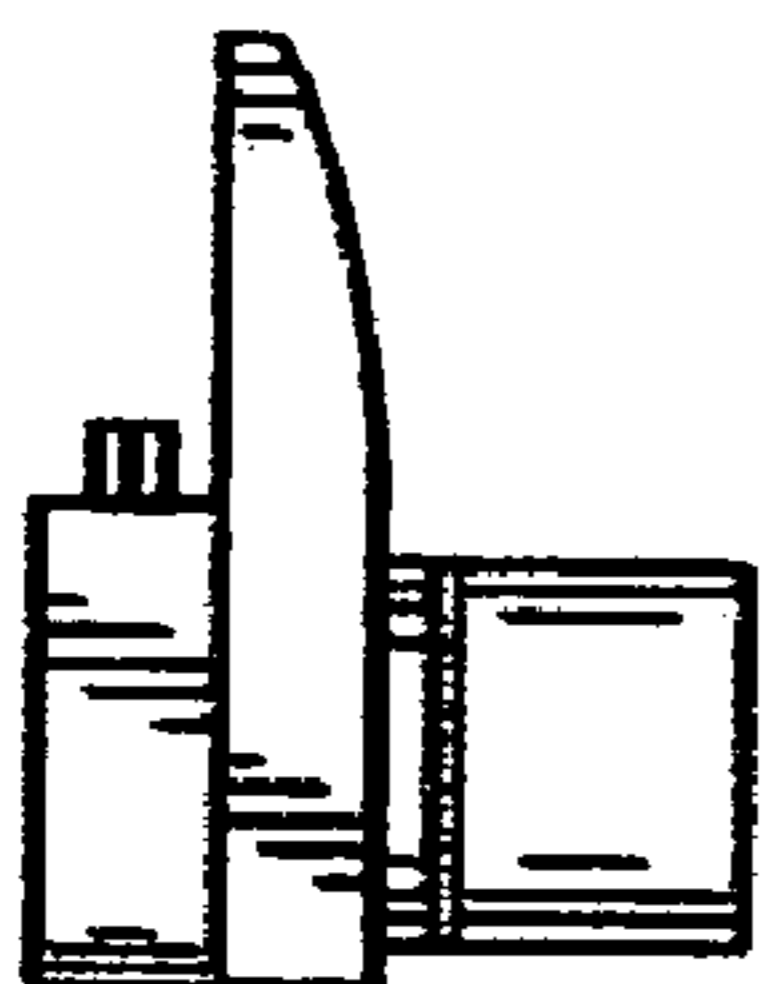


FIG. 12

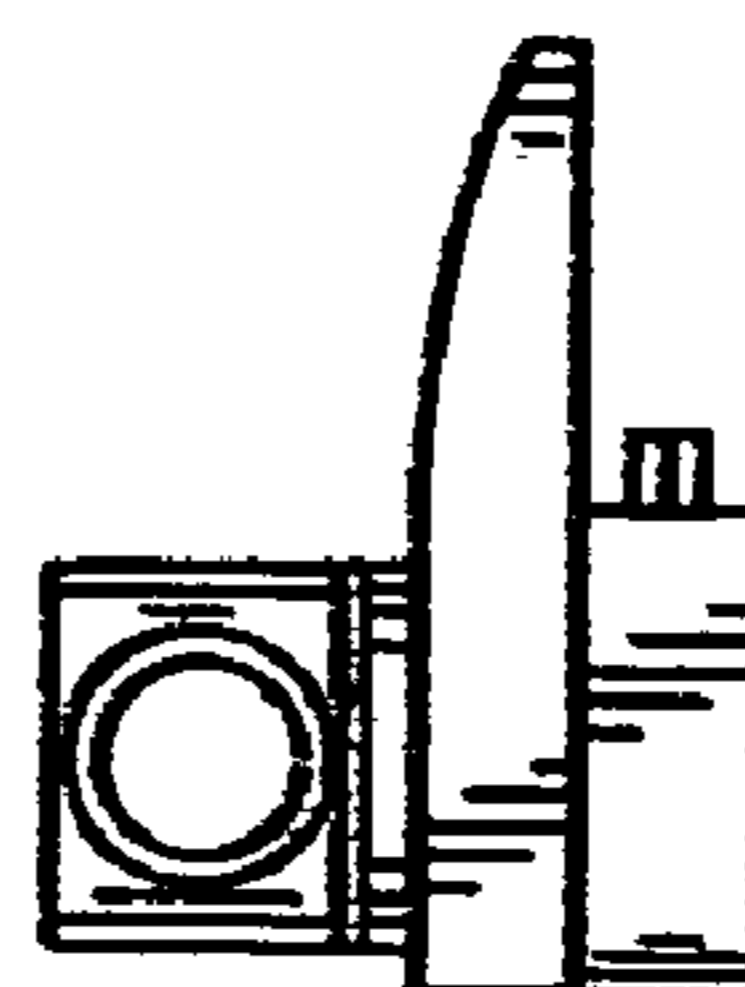


FIG. 13

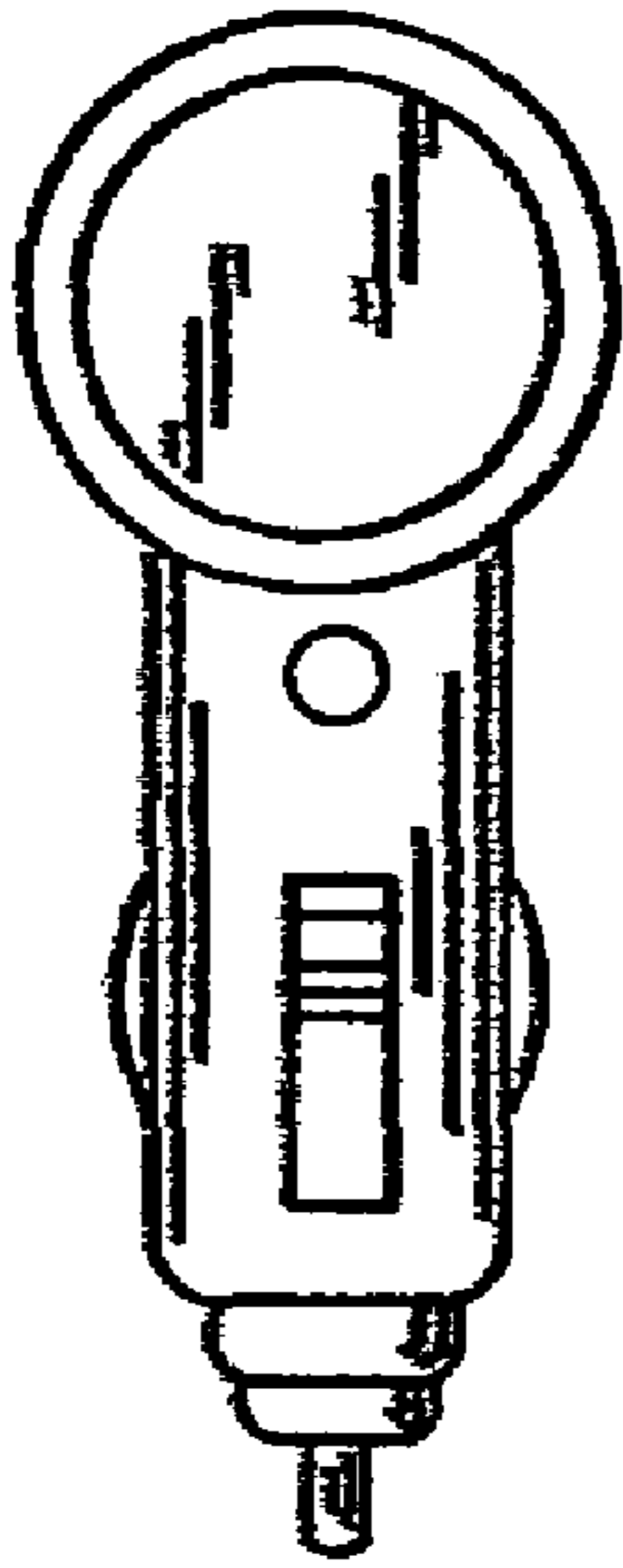


FIG. 14

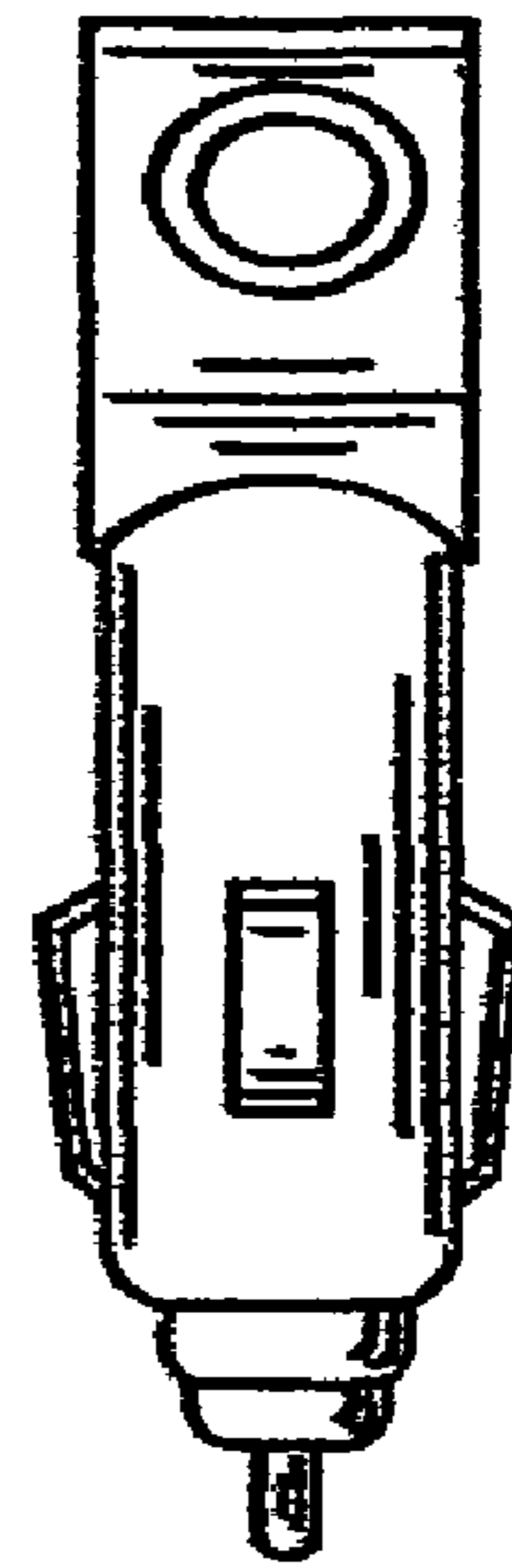


FIG. 15

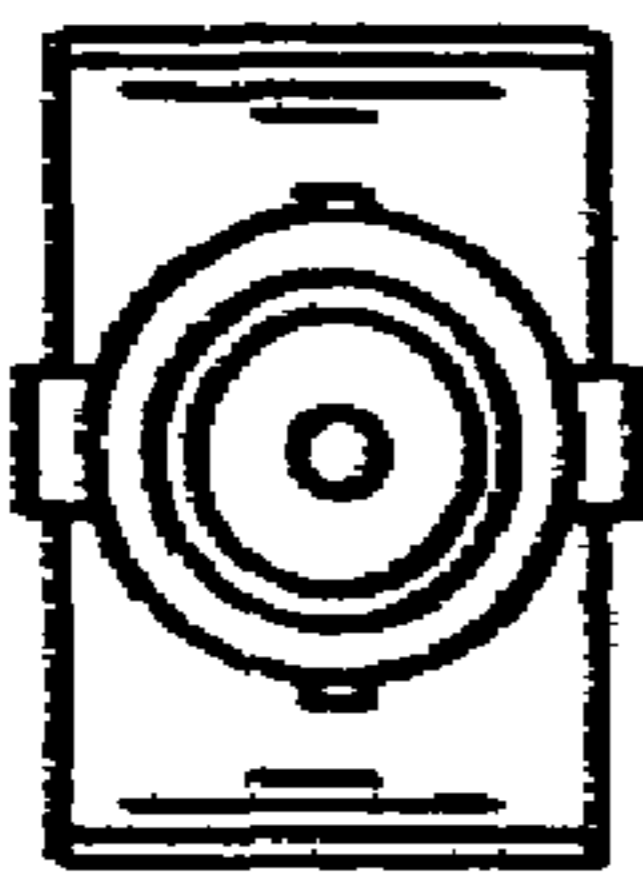


FIG. 16

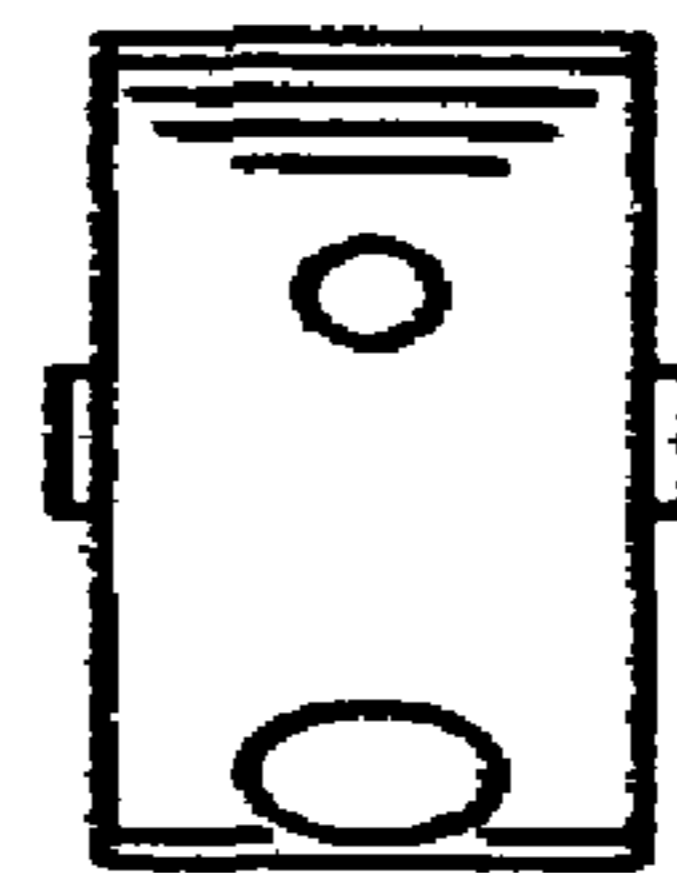


FIG. 17

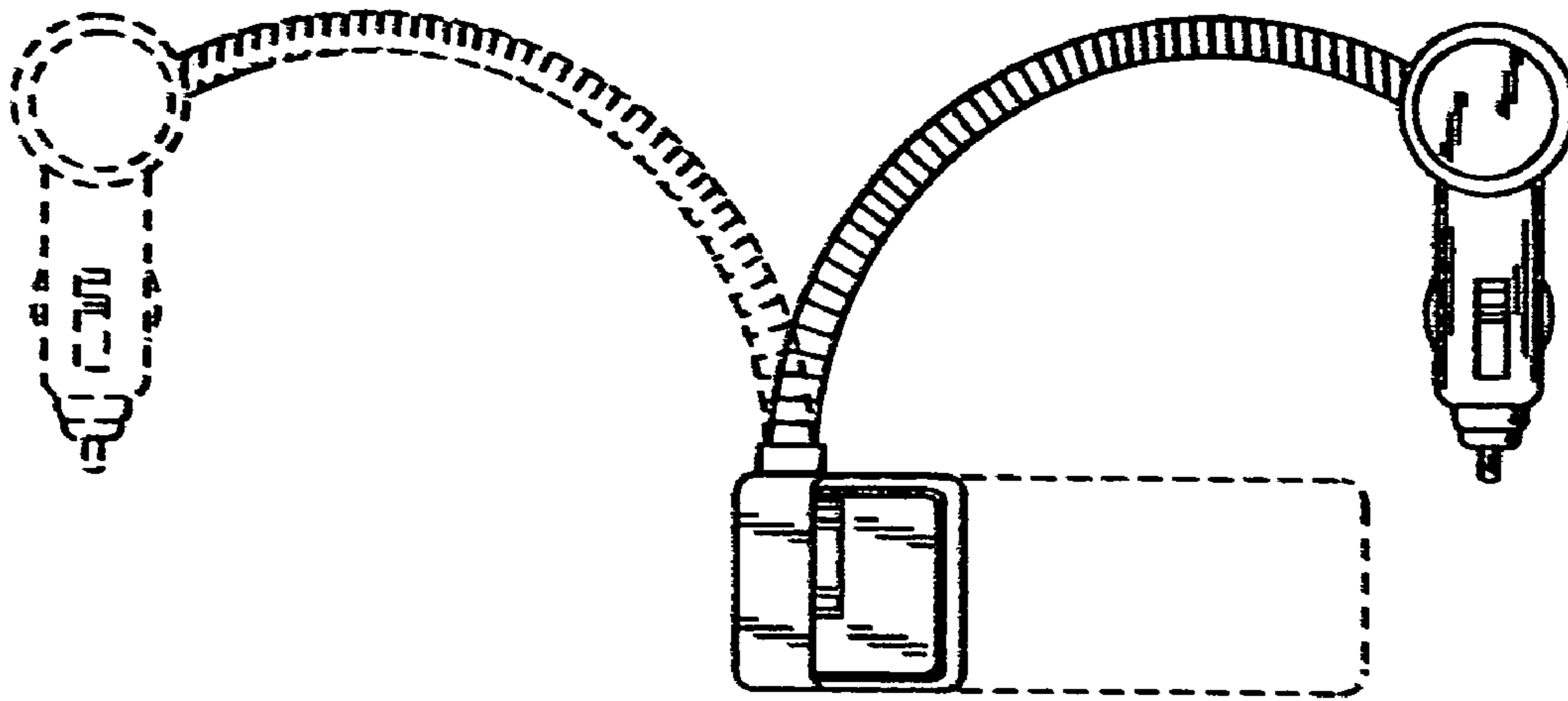


FIG. 18

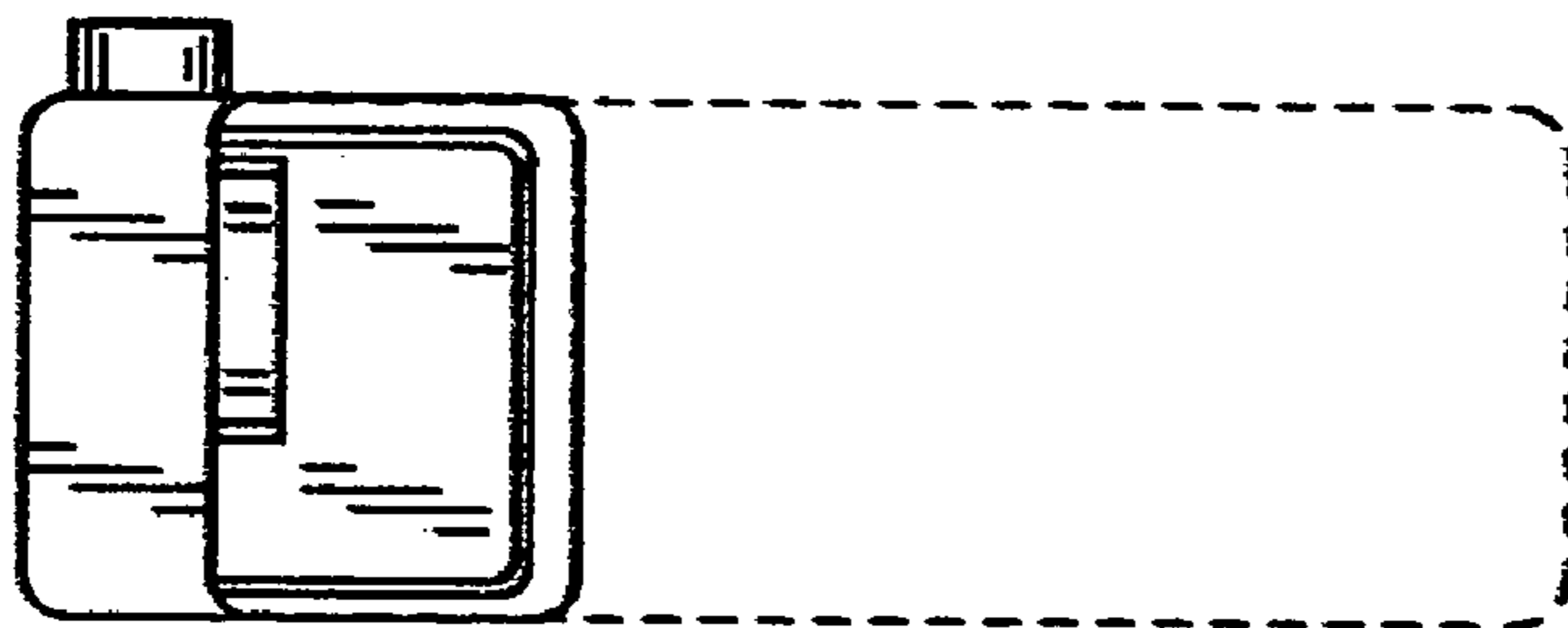


FIG. 19

