

US00D569865S

(12) **United States Design Patent**  
**Ambrose et al.**

(10) **Patent No.:** **US D569,865 S**  
(45) **Date of Patent:** **\*\* May 27, 2008**

(54) **VOICE OVER INTERNET PROTOCOL DEVICE**

(75) Inventors: **Toby R. Ambrose**, Tempe, AZ (US);  
**Robert Lawrence Gallick**, Phoenix, AZ (US)

(73) Assignee: **Inter-Tel, Inc.**, Tempe, AZ (US)

(\*\*) Term: **14 Years**

(21) Appl. No.: **29/261,446**

(22) Filed: **Jun. 13, 2006**

(51) **LOC (8) Cl.** ..... **14-02**

(52) **U.S. Cl.** ..... **D14/356; D14/313**

(58) **Field of Classification Search** ..... 379/93.01;  
369/34.01, 36.01; 720/613; D14/300-1,  
D14/313-4, 214, 356, 361-3, 368; D13/162,  
D13/184, 199; 312/223.1, 223.2

See application file for complete search history.

(56) **References Cited**

**U.S. PATENT DOCUMENTS**

D309,448 S \* 7/1990 Aderman et al. .... D14/368

(Continued)

**OTHER PUBLICATIONS**

Trademark Search: Inter-Tel, Inc., INTER-TEL, Serial No. 76402940.\*

Google Search: [http://www.inter-tel.com/intertel\\_public/pressroom/imagelibrary/Inter-Tel%20NC-7600\\_front\\_lit.jpg](http://www.inter-tel.com/intertel_public/pressroom/imagelibrary/Inter-Tel%20NC-7600_front_lit.jpg), Jul. 23, 2007.\*

[http://www.inter-tel.com/intertel\\_public/pressroom/imagelibrary/Inter-Tel%20NC-7600\\_front\\_0.jpg](http://www.inter-tel.com/intertel_public/pressroom/imagelibrary/Inter-Tel%20NC-7600_front_0.jpg), Jul. 23, 2007.\*

[http://www.inter-tel.com/intertel\\_public/pressroom/imagelibrary/Inter-Tel%20NC-7600\\_back.jpg](http://www.inter-tel.com/intertel_public/pressroom/imagelibrary/Inter-Tel%20NC-7600_back.jpg), Jul. 23, 2007.\*

[http://www.inter-tel.com/intertel\\_public/pressroom/imagelibrary/Inter-Tel%20NC-7400\\_front.jpg](http://www.inter-tel.com/intertel_public/pressroom/imagelibrary/Inter-Tel%20NC-7400_front.jpg), Jul. 23, 2007.\*

[http://www.inter-tel.com/intertel\\_public/pressroom/imagelibrary/Inter-Tel%20NC-7400\\_back.jpg](http://www.inter-tel.com/intertel_public/pressroom/imagelibrary/Inter-Tel%20NC-7400_back.jpg), Jul. 23, 2007.\*

[http://www.inter-tel.com/intertel\\_public/pressroom/imagelibrary/Inter-Tel%20NC-7200\\_front.jpg](http://www.inter-tel.com/intertel_public/pressroom/imagelibrary/Inter-Tel%20NC-7200_front.jpg), Jul. 23, 2007.\*

[http://www.inter-tel.com/intertel\\_public/pressroom/imagelibrary/Inter-Tel%20NC-7200\\_back.jpg](http://www.inter-tel.com/intertel_public/pressroom/imagelibrary/Inter-Tel%20NC-7200_back.jpg), Jul. 23, 2007.\*

[http://www.inter-tel.com/intertel\\_public/pressroom/imagelibrary/Inter-Tel%207000%20Solutions\\_front.jpg](http://www.inter-tel.com/intertel_public/pressroom/imagelibrary/Inter-Tel%207000%20Solutions_front.jpg), Jul. 23, 2007.\*

[http://www.inter-tel.com/intertel\\_public/pressroom/imagelibrary/Inter-Tel%207000%20Solutions\\_back.jpg](http://www.inter-tel.com/intertel_public/pressroom/imagelibrary/Inter-Tel%207000%20Solutions_back.jpg), Jul. 23, 2007.\*

Sonicwall, Inc., SonicWALL Continuous Data Protection Solution, datasheet, Mar. 2006, SonicWall, Inc., Sunnyvale, CA, USA.

BBC News, Google rolls out corporate search, news article, Oct. 20, 2004, UK.

Crown International, Crown Launches CDi Series, press release, Mar. 2006.

*Primary Examiner*—Robin V. Webster

*Assistant Examiner*—Karen E Kearney

(74) *Attorney, Agent, or Firm*—Michelle Whittington, Esq.

(57) **CLAIM**

The ornamental design for a voice over internet protocol device, as shown and described.

**DESCRIPTION**

FIG. 1 is a front view of an exemplary embodiment of the voice over internet protocol device showing our new design;

FIG. 2 is a rear view thereof;

FIG. 3 is a top view thereof;

FIG. 4 is a bottom view thereof;

FIG. 5 is a side view thereof;

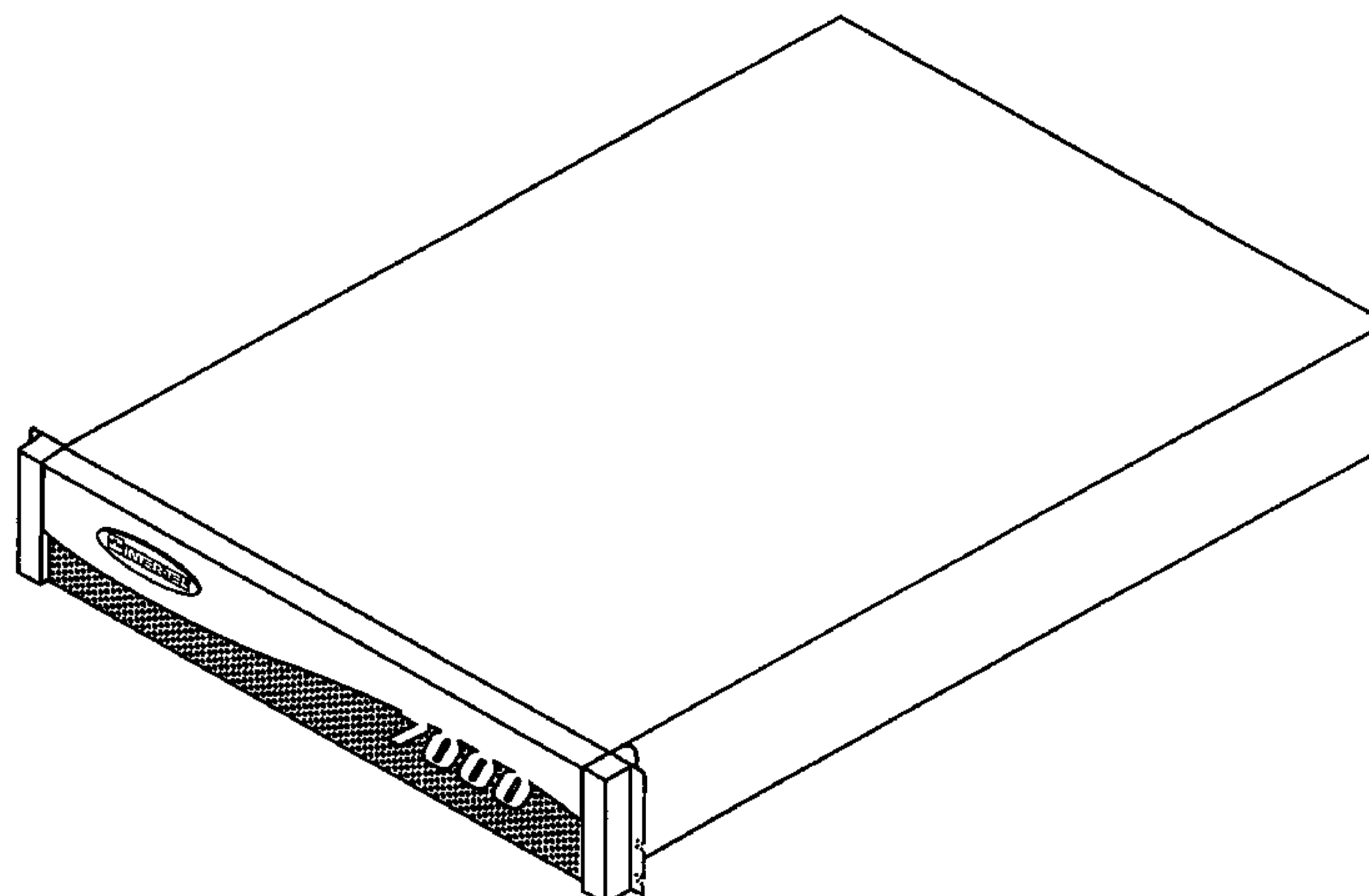
FIG. 6 is a front, side and top perspective view thereof; and,

FIG. 7 is a front view showing another embodiment of FIG. 1 lacking the character identifier and raised elliptical company marking. The remaining views being identical to the views shown in FIGS. 2-6 except for the showing of the raised elliptical surface.

The broken lines throughout the views are for illustrative purposes only and form no part of the claimed design.

The INTER-TEL name and LOGO forming part of the claimed design is a registered trademark of Inter-Tel, Inc.

**1 Claim, 7 Drawing Sheets**



# US D569,865 S

Page 2

---

## U.S. PATENT DOCUMENTS

D319,032 S *	8/1991	Worrell et al. ....	D10/122	D460,963 S *	7/2002	Mautz et al. ....	D14/313
D333,655 S *	3/1993	Weber .....	D13/164	6,929,338 B2 *	8/2005	Chang .....	312/223.2
D426,228 S *	6/2000	Lin .....	D14/214	D516,551 S *	3/2006	Kuroda et al. ....	D14/314
D441,375 S *	5/2001	Hisatsune et al. ....	D14/496	7,031,151 B2 *	4/2006	Deckers et al. ....	361/685
6,288,893 B1 *	9/2001	Faranda et al. ....	361/683	D521,994 S *	5/2006	Sanefuji .....	D14/356
D457,158 S *	5/2002	Awamori et al. ....	D14/356	2004/0056568 A1 *	3/2004	Carlson et al. ....	312/223.1

\* cited by examiner

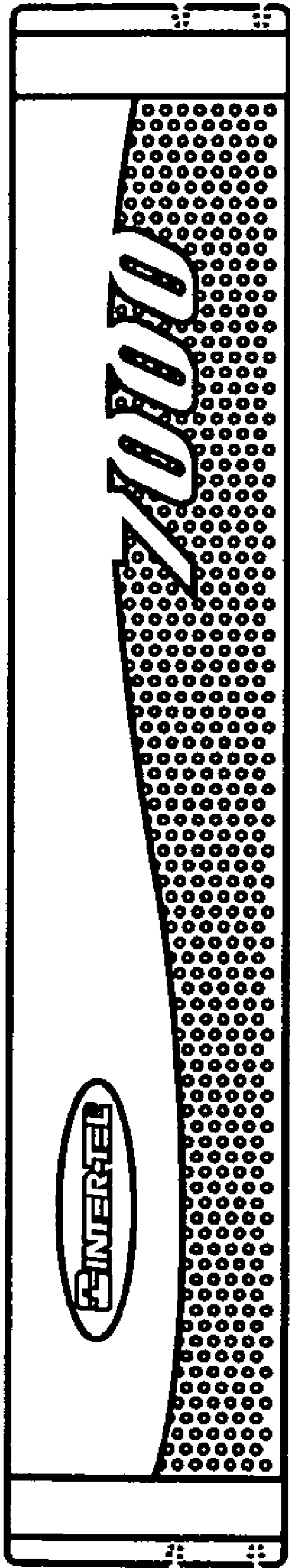


Fig. 1

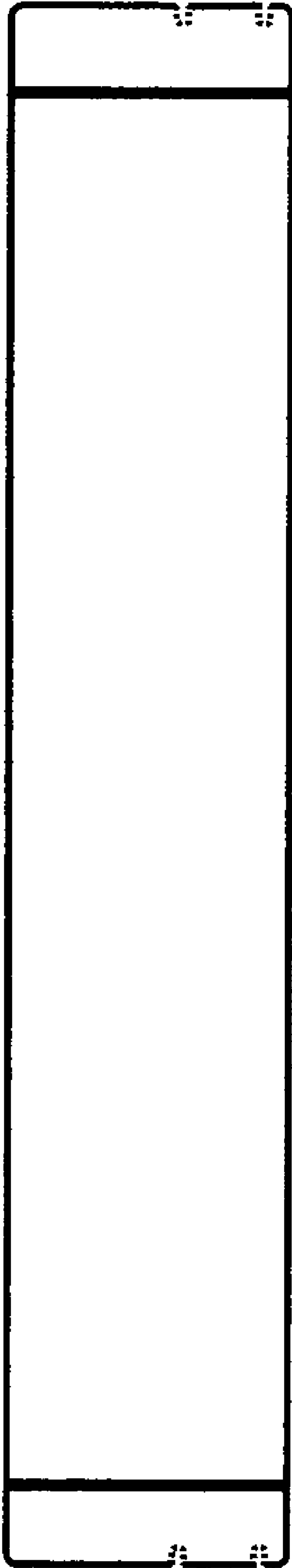


Fig. 2

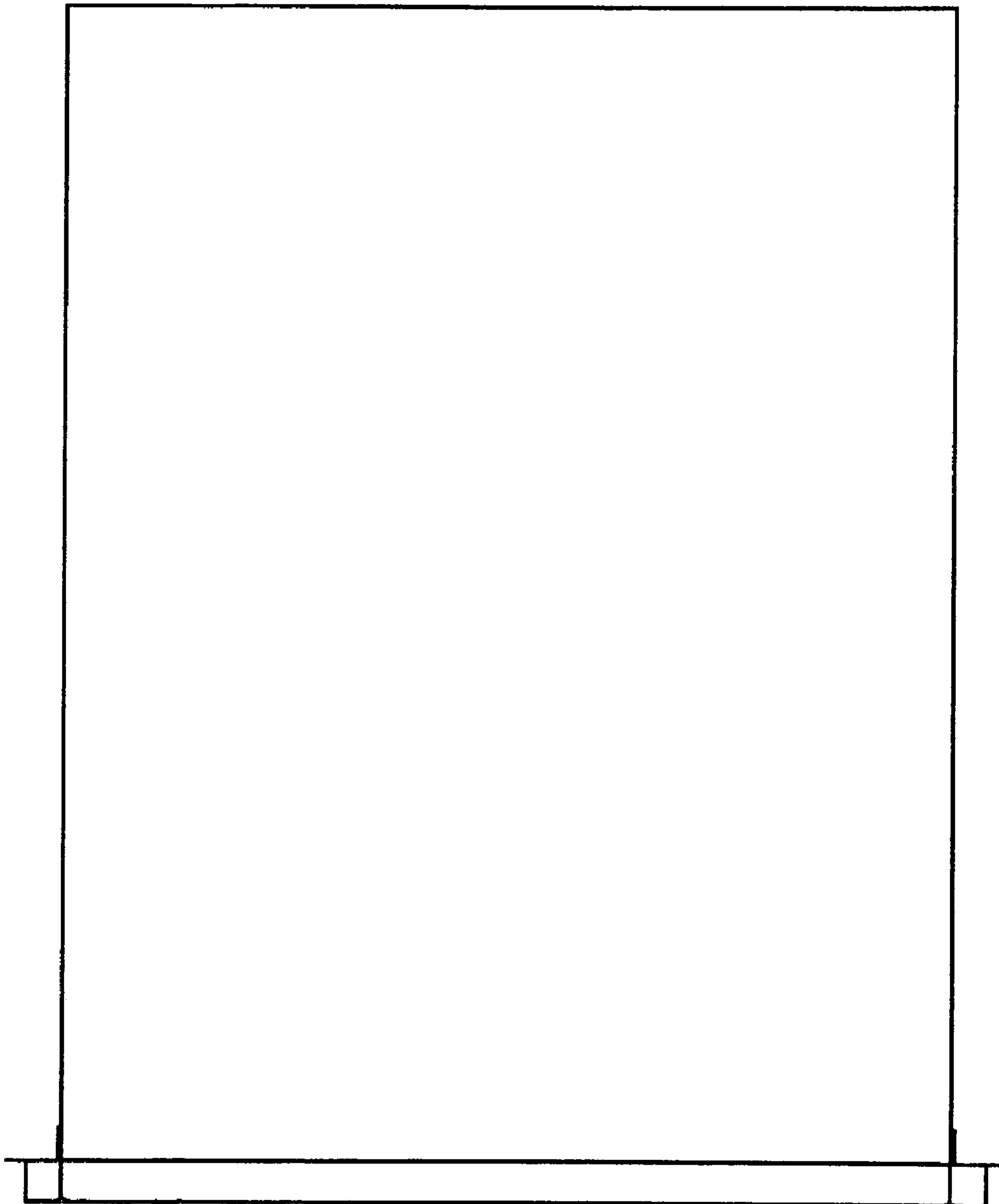


Fig. 3

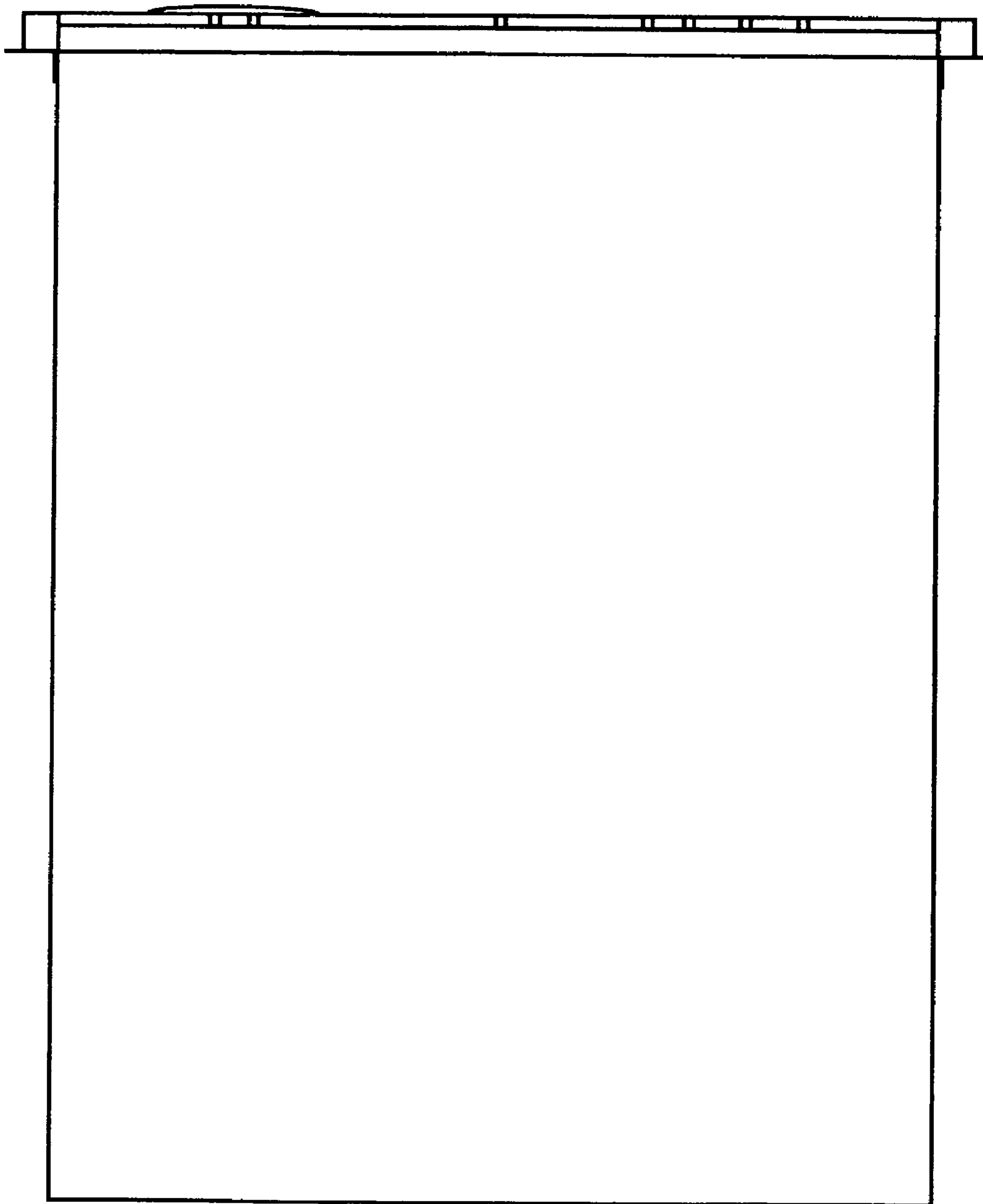


Fig. 4

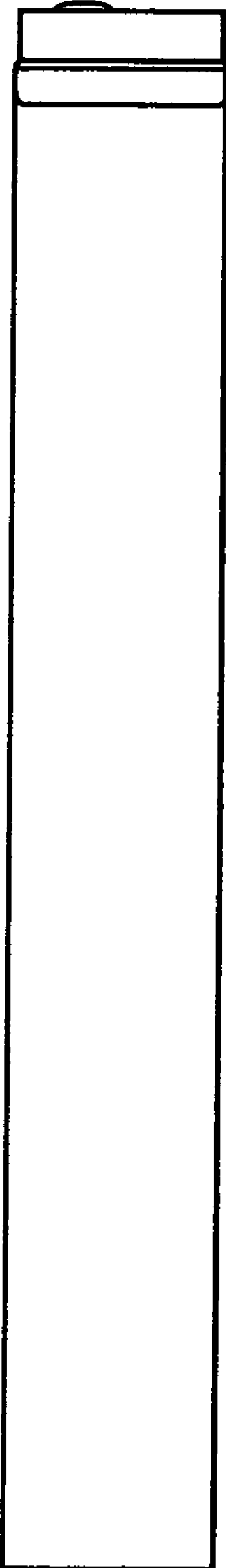


Fig. 5

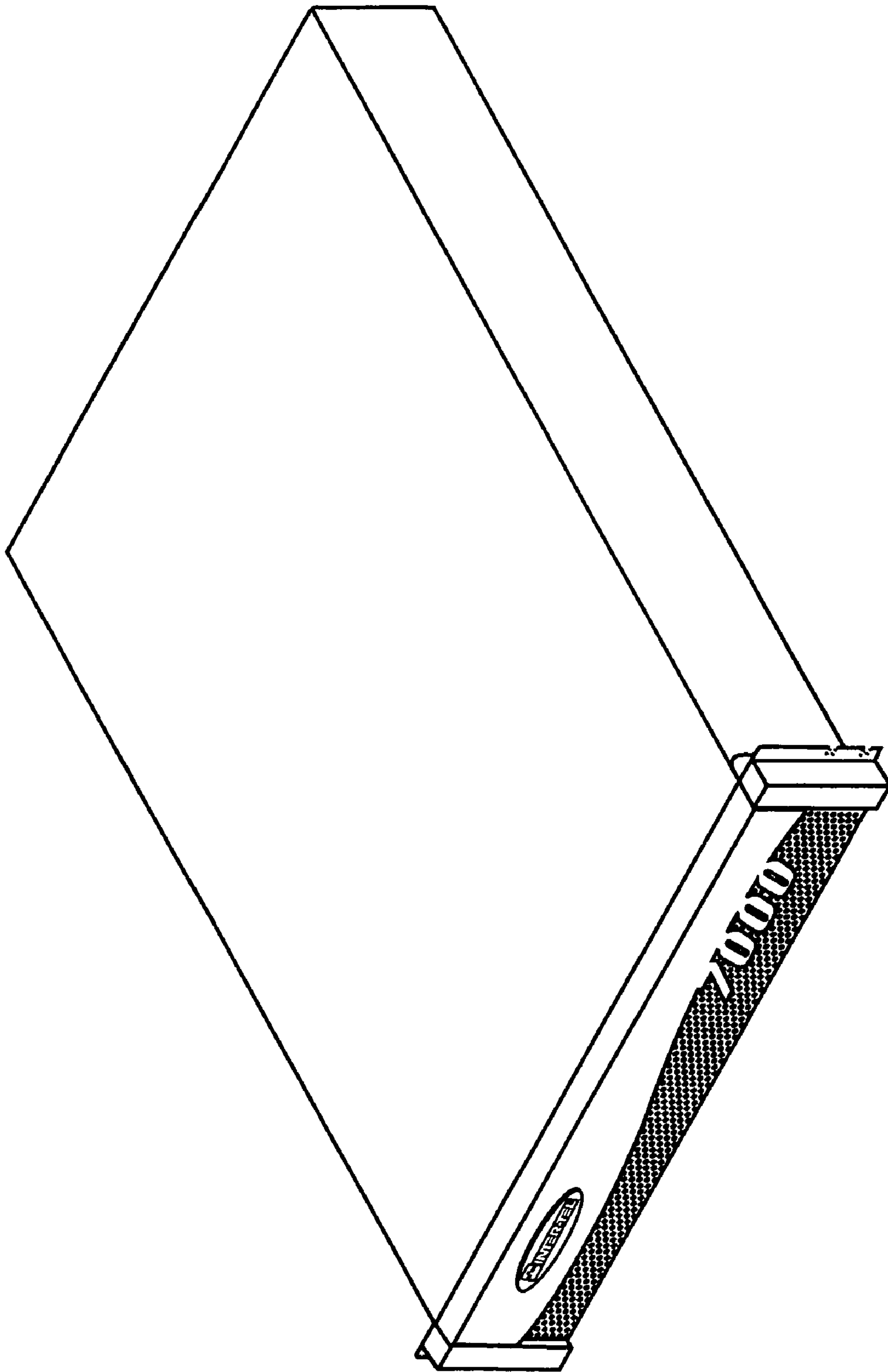


Fig. 6



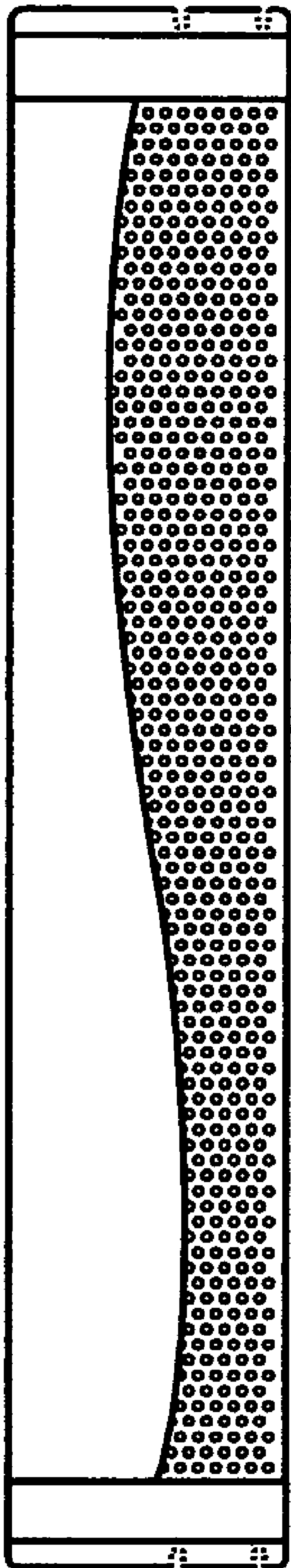


Fig. 7