



US00D569864S

(12) **United States Design Patent**
Chen

(10) **Patent No.:** **US D569,864 S**

(45) **Date of Patent:** **** May 27, 2008**

(54) **PORTABLE COMPUTER**

(75) Inventor: **Chi-Tu Chen**, Taipei (TW)

(73) Assignee: **I-Mobile Technology Corporation**,
Taipei (TW)

(**) Term: **14 Years**

(21) Appl. No.: **29/269,651**

(22) Filed: **Dec. 6, 2006**

(51) **LOC (8) Cl.** **14-02**

(52) **U.S. Cl.** **D14/337**

(58) **Field of Classification Search** D14/341,
D14/346, 336, 337, 371, 388; D19/26, 59,
D19/60; 345/104, 156, 168, 173, 1.1; 178/18.03;
361/680-686; D18/4.4

See application file for complete search history.

(56) **References Cited**

U.S. PATENT DOCUMENTS

- D392,259 S * 3/1998 Simmon D14/341
- D404,761 S * 1/1999 Tarpenning et al. D14/341
- D425,558 S * 5/2000 Tarpenning et al. D19/26
- D432,124 S * 10/2000 Pardikes et al. D14/336
- D456,399 S * 4/2002 Yamamoto et al. D14/337

- D463,419 S * 9/2002 Russmann et al. D14/336
- D505,676 S * 5/2005 Porter et al. D14/388
- D528,146 S * 9/2006 Fitch D18/4.4

* cited by examiner

Primary Examiner—Freda S Nunn

(74) *Attorney, Agent, or Firm*—Troxell Law Office, PLLC

(57) **CLAIM**

The ornamental design for a portable computer, as shown and described.

DESCRIPTION

FIG. 1 is a perspective view of a portable computer;

FIG. 2 is a front view thereof;

FIG. 3 is a back view thereof;

FIG. 4 is a left side view thereof;

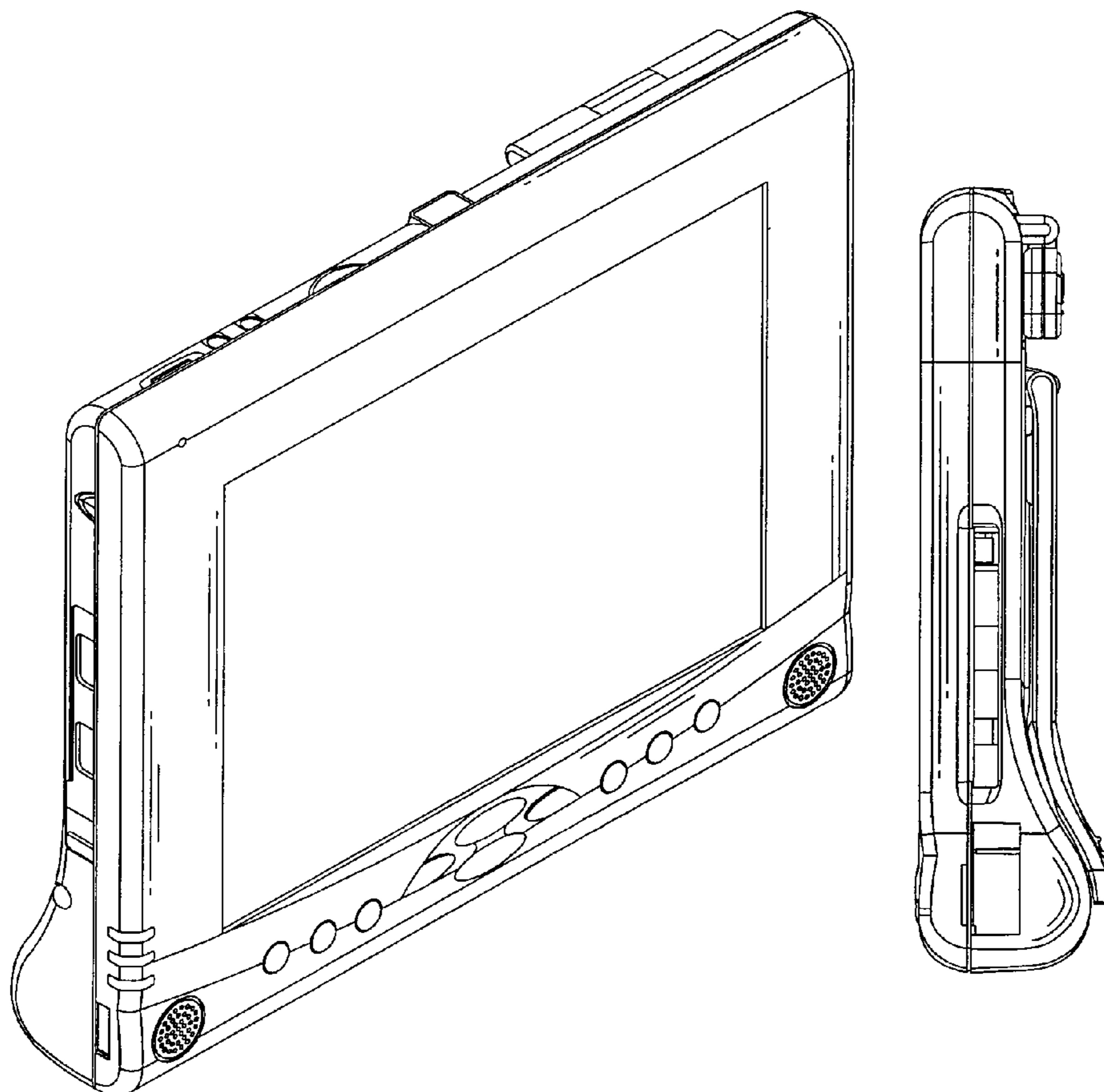
FIG. 5 is a right side view thereof;

FIG. 6 is a top view thereof;

FIG. 7 is a bottom view thereof; and,

FIG. 8 is a perspective view, wherein the webcam is turned on for illustrative purpose.

1 Claim, 8 Drawing Sheets



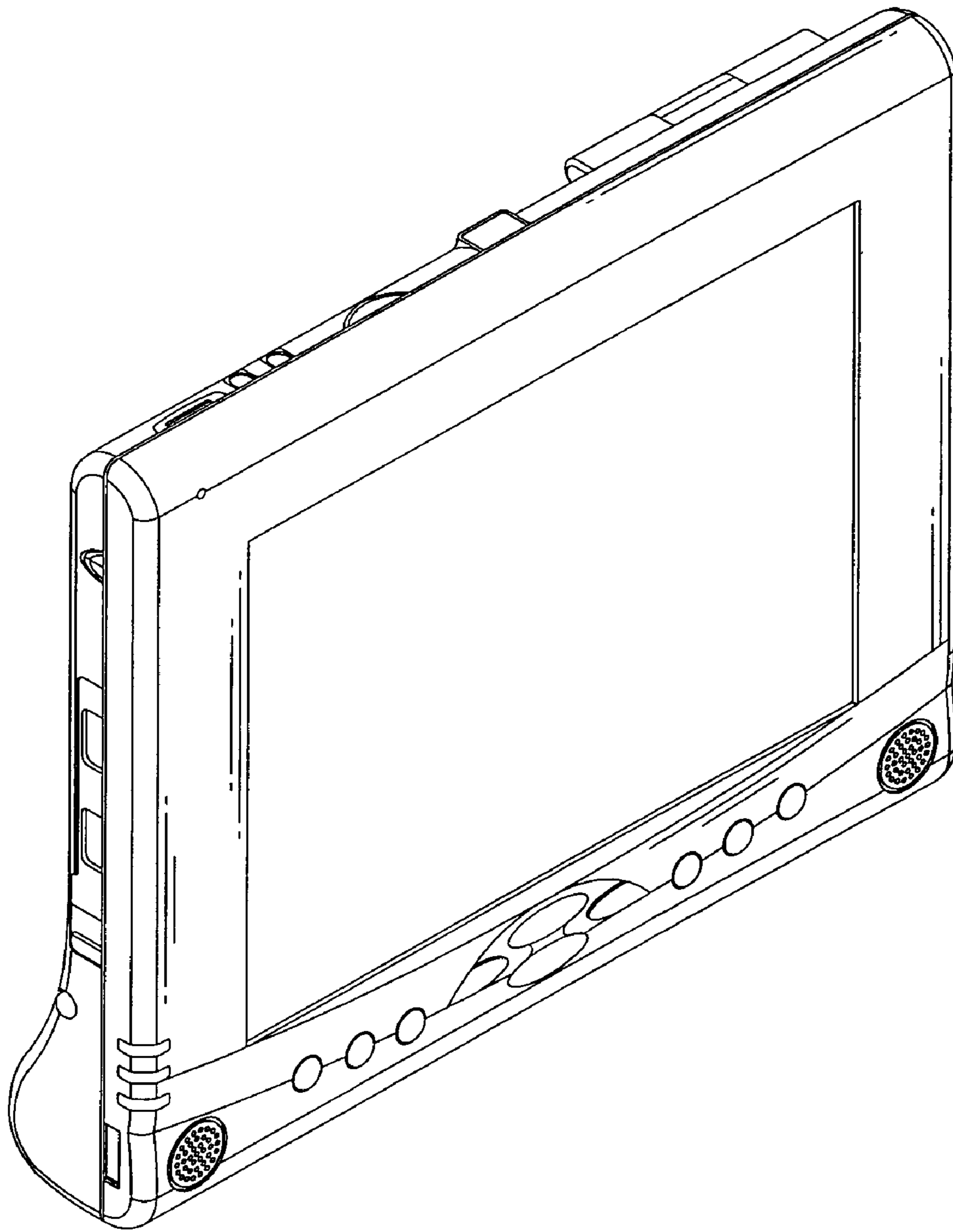


FIG. 1

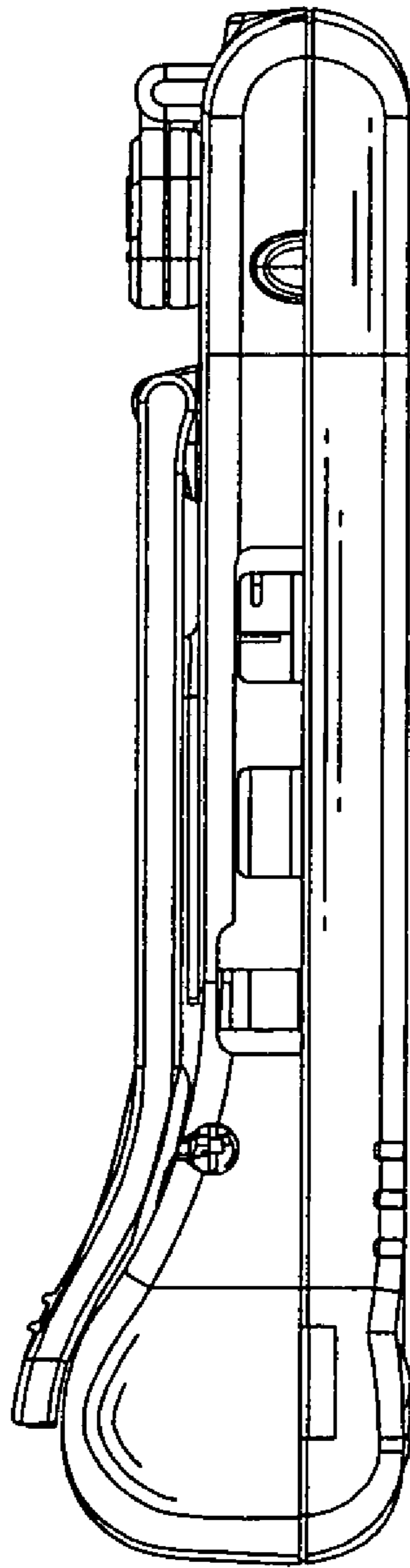


FIG. 2

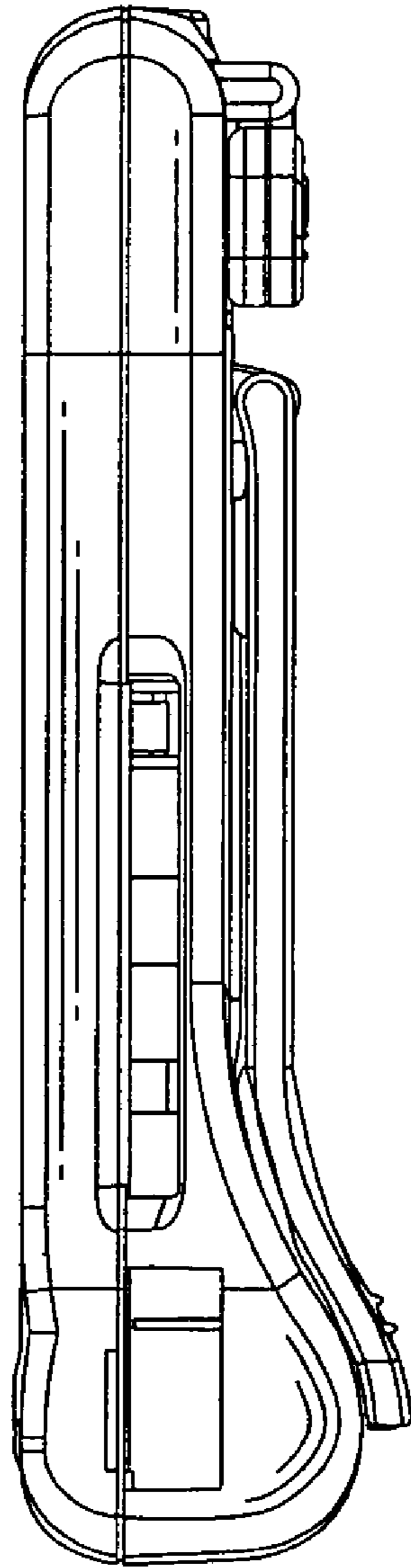


FIG. 3

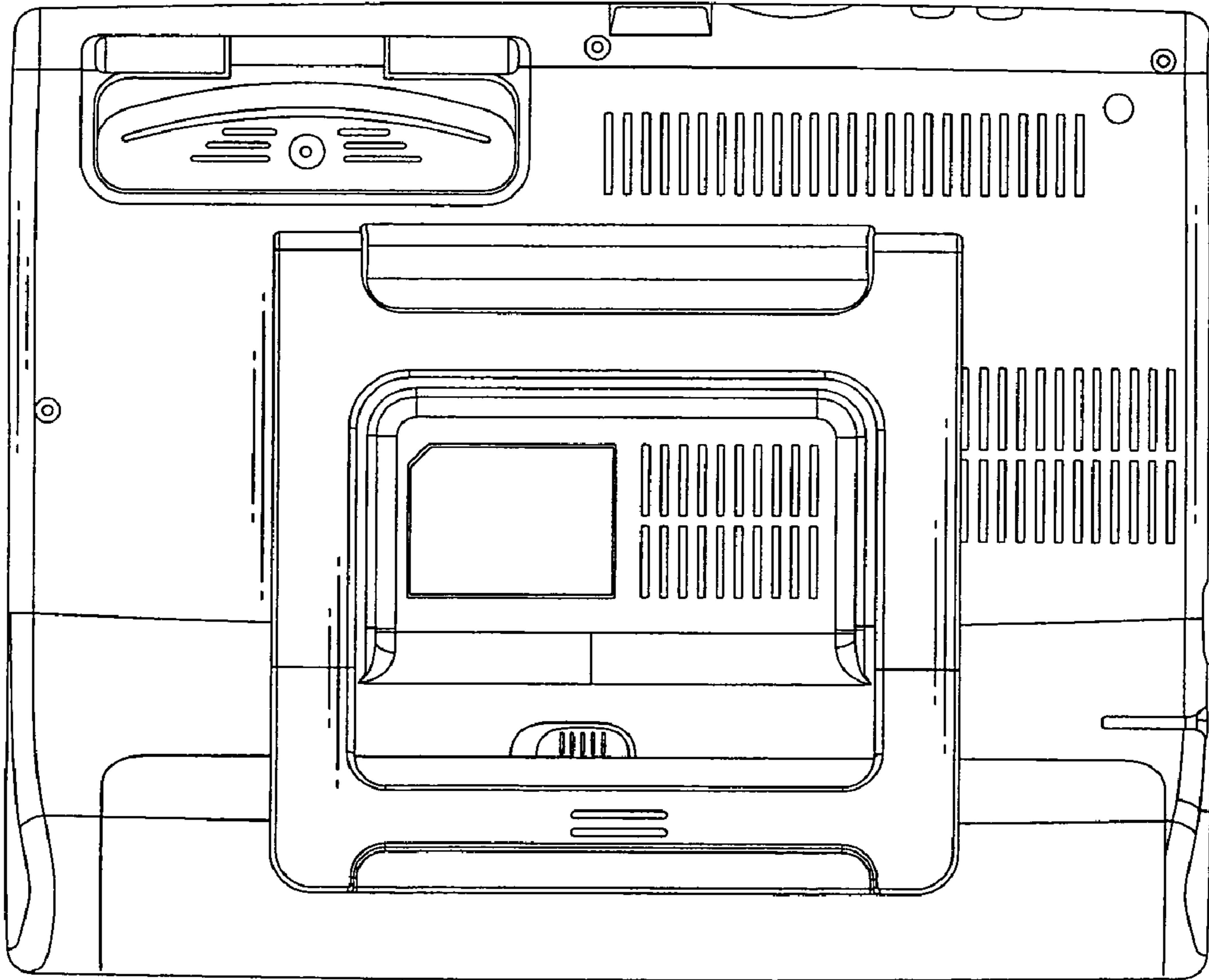


FIG. 4

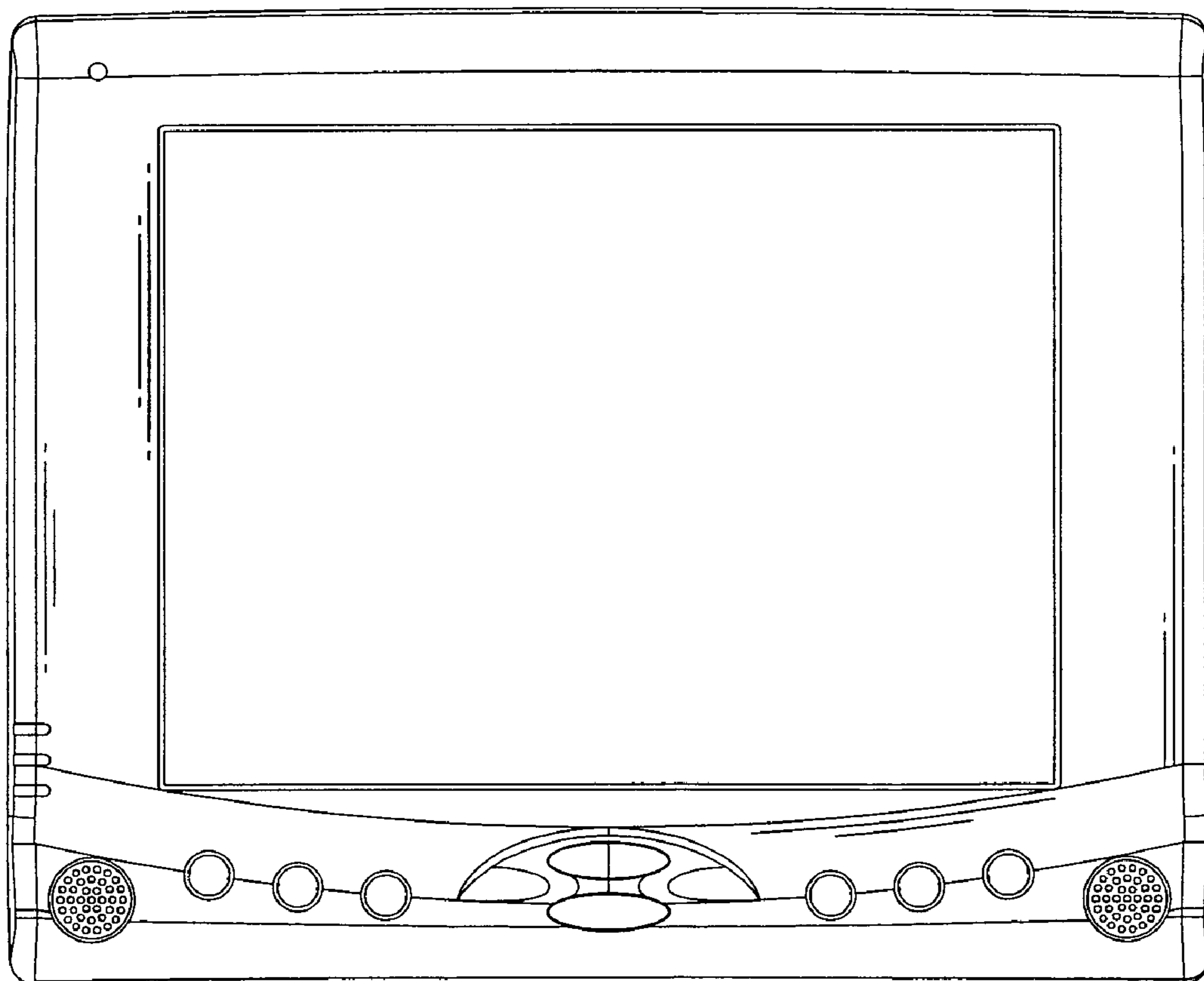


FIG. 5

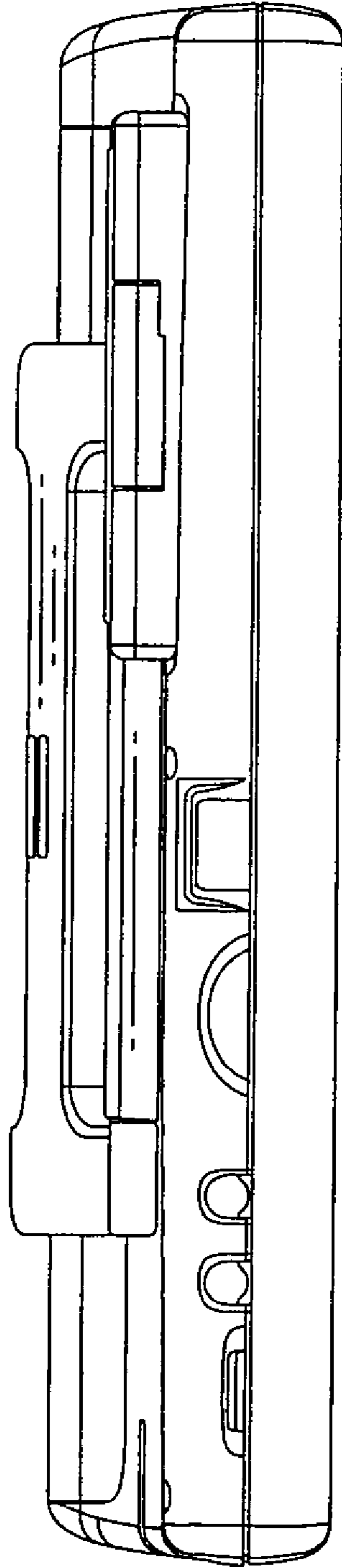


FIG. 6

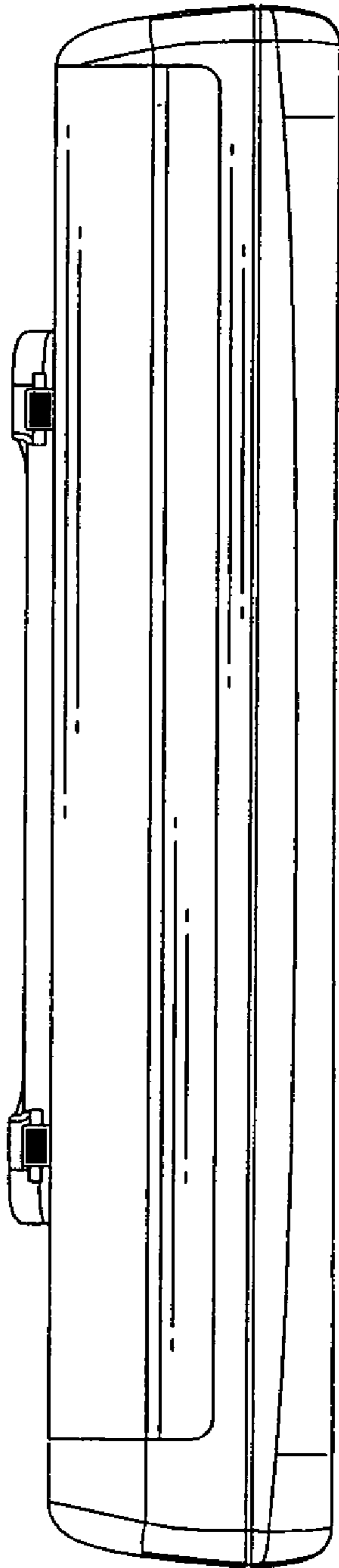


FIG. 7

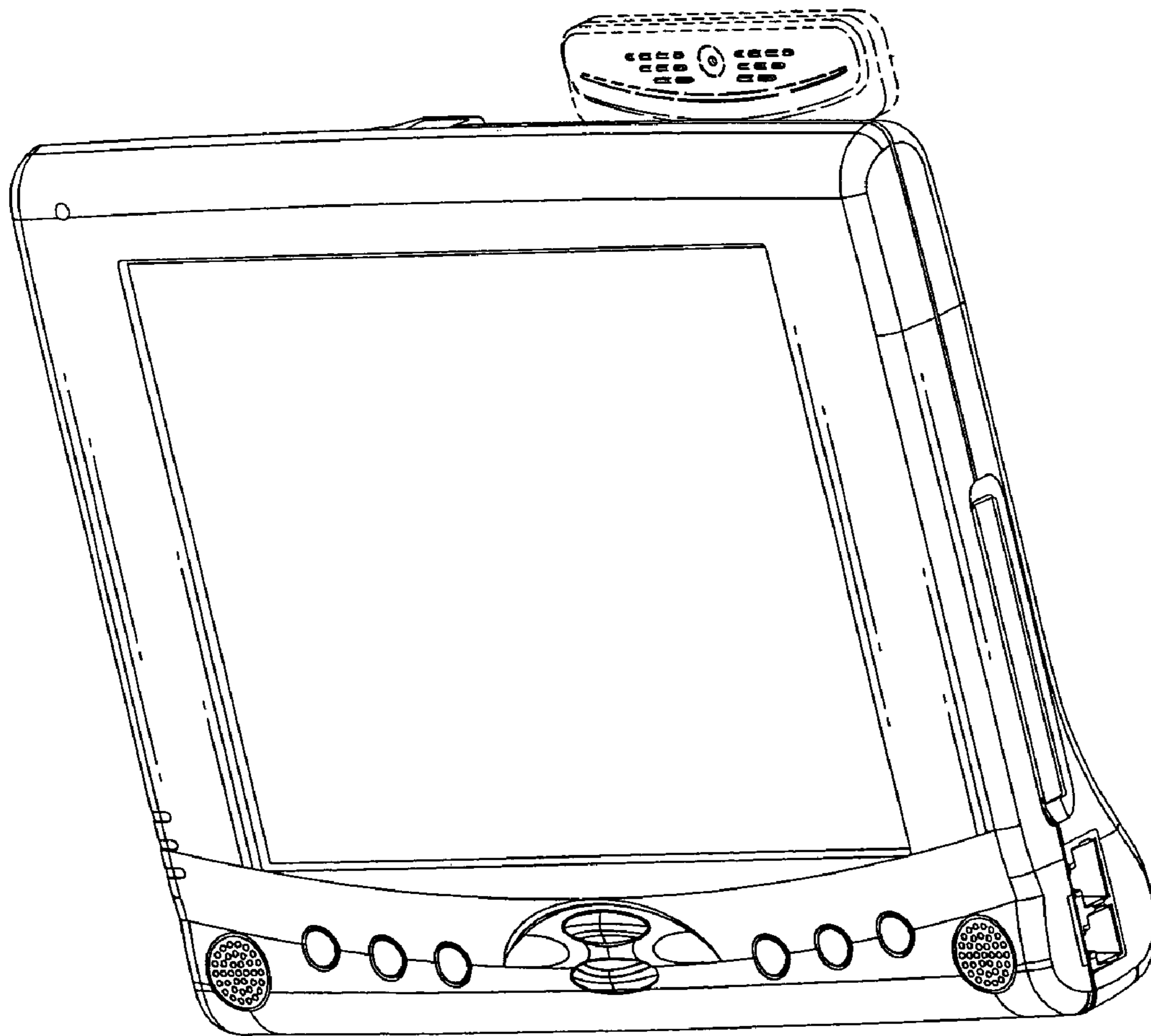


FIG. 8